

# **H** PARTS LIST

**SOFTEK® Front Suspension  
System for The Lion Electric Co.  
Lion8 Truck Vehicles**

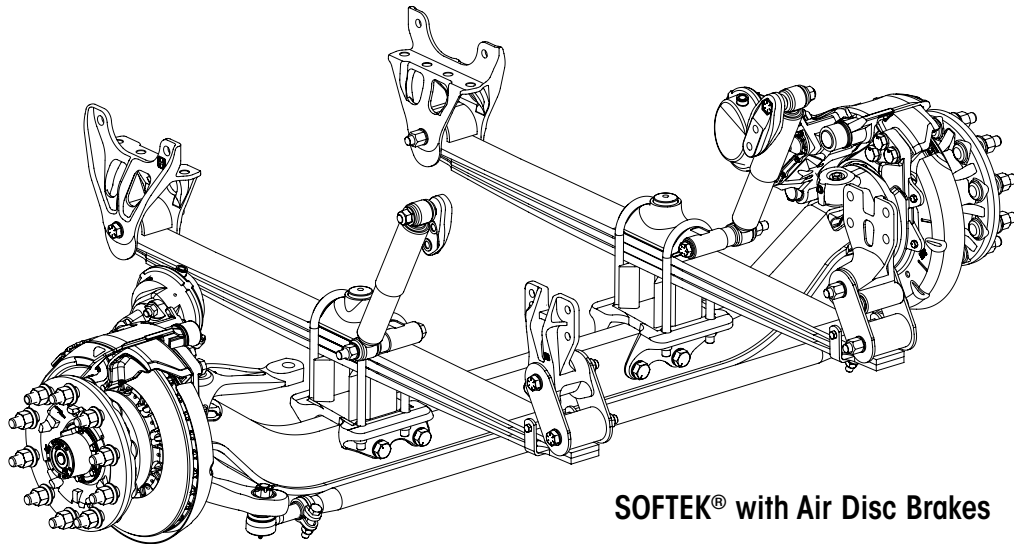
LIT NO: SP-332

DATE: January 2020

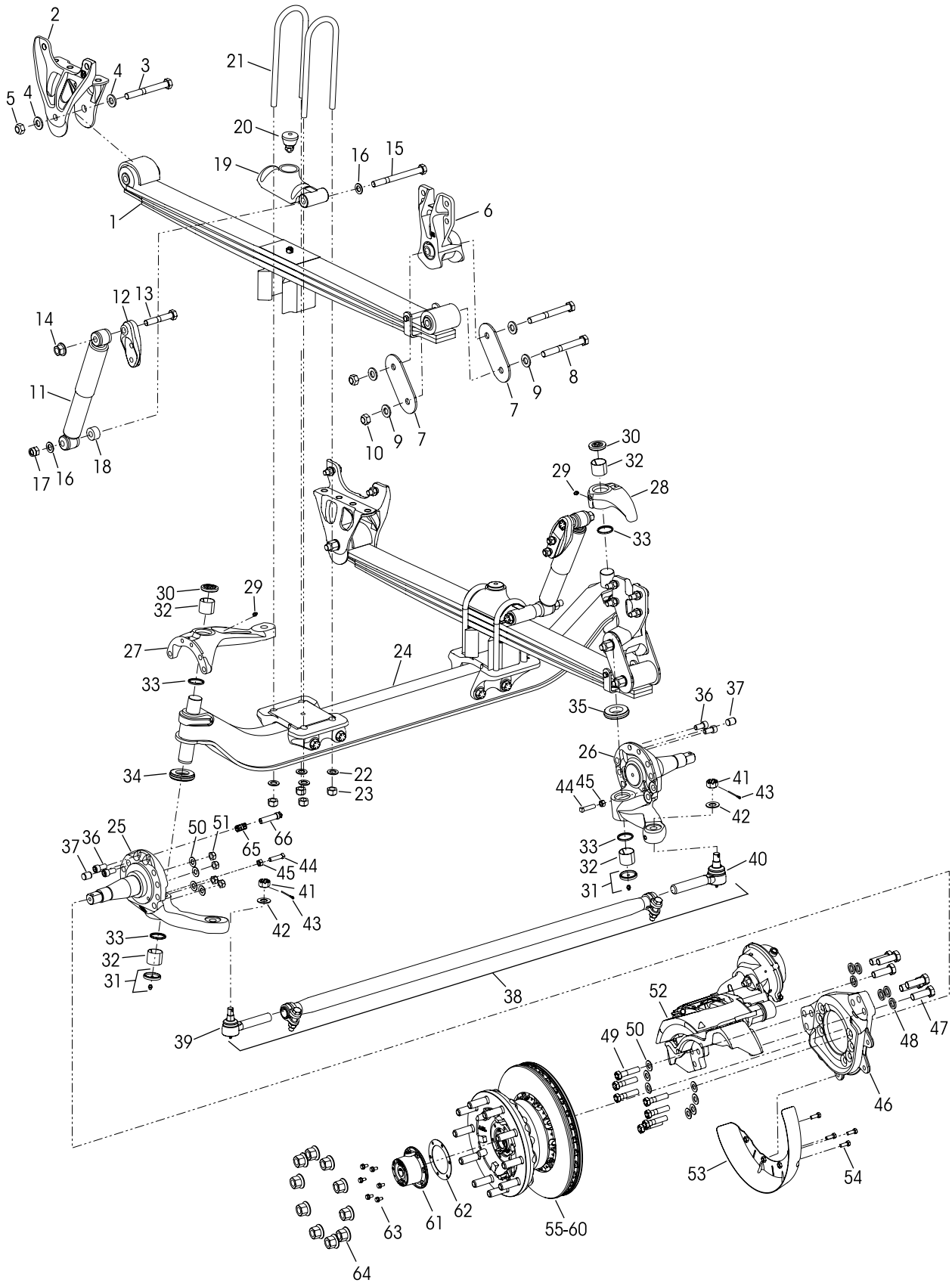
REVISION: A

## **CONTENTS**

<b>DESCRIPTION</b>	<b>PAGE</b>
SOFTEK equipped with Air Disc Brakes. . . . .	2
Special Tool . . . . .	4
Notes . . . . .	4



**SOFTEK® with Air Disc Brakes**





KEY NO.	PART NO.	DESCRIPTION	VEHICLE QTY.	KEY NO.	PART NO.	DESCRIPTION	VEHICLE QTY.
1	82572-000	Leaf Spring Assembly	2	33	68731-000	Kingpin Seal	4
2	64488-002	Front Hanger	2	34	59828-000	Left Hand Composite Thrust Bearing	1
	34013-347	<b>Front Spring Eye Fastener Service Kit, One Side,</b> Includes Key Nos. 3-5		35	64256-000L	Right Hand Roller Thrust Bearing	1
3		*3/4"-16 UNF x 7" Hex Bolt	2	36	60236-001	5/8"-13 UNC Socket Head Cap Screw	4
4		*3/4" Flat Washer	4	Not Shown	60937-000	Loctite® (Red) Compound Tube	1
5		*3/4"-16 UNF Locknut	2	37	64246-000	ABS Sensor Sleeve	2
6	66510-001	Rear Shackle Bracket Assembly	2	38	76879-002	Tie Rod Assembly, Straight, 4.25" Drop, Includes Key Nos. 39-41	1
7	64314-000	Rear Shackle Plate	4			<b>Tie Rod End Service Kits</b>	
	34013-348	<b>Rear Shackle Bracket Fastener Service Kit, One Side,</b> Includes Key Nos. 8-10			60961-735	<b>Axle Set,</b> Includes Kit Nos. 60961-742 & -743	
8		*3/4"-16 UNF x 6 1/2" Hex Bolt	4		60961-742	<b>Left Hand,</b> Includes Key Nos. 39, 41-43	
9		*3/4" Flat Washer	8		60961-743	<b>Right Hand,</b> Includes Key Nos. 40-43	
10		*3/4"-16 UNF Locknut	4			Tie Rod End, Includes Key No. 41	
11	58913-010L	Shock Absorber	2	39	76876-001	Left Hand	1
12	67463-002	Upper Shock Absorber Bracket	2	40	76876-002	Right Hand	1
	34013-349	<b>Single Shock Absorber Fastener Service Kit,</b> Includes Key Nos. 13-18		41		*7/8" Castile Nut	2
13	58917-022	3/4"-10 UNC x 4 1/2" Upper Shock Bolt	2	42	22962-007	7/8" Flat Washer	2
14	66137-000	3/4"-10 UNC Flange Locknut	2	43	17800-004	Tie Rod Nut Cotter Pin	2
15	58917-016	3/4"-10 UNC x 8 1/2" Lower Shock Bolt	2		60961-069	<b>Stop Bolt Service Kit, One Side,</b> Includes Key Nos. 44-45	
16	22962-001	3/4" Flat Washer	4	44		*1/2"-13 UNC Square Head Bolt	2
17	49842-000	3/4"-10 UNC Hex Locknut	2	45		*1/2"-13 UNC Hex Jam Nut	2
18	59946-001	Shock Spacer	2	46		**Bendix Torque Plate	2
	66806-001	Top Pad / Axle Stop Assembly, Includes Key Nos. 19-20				Left Hand Part No. K114006 Right Hand Part No. K114007	
19	66666-000	Top Pad	2	47	SA-13200-2	M20 x 2.5 x 60 mm Bolt (Caliper)	12
20	64080-000	Rubber Axle Stop	2	48	58246-007	M20 Flat Washer (Caliper)	12
	34013-886	<b>Clamp Group Fastener Service Kit, One Side,</b> Includes Key Nos. 21-23		49	32043-002	5/8"-11 UNC x 2 3/4" Hex Bolt (Torque Plate)	14
21	64804-110	3/4"-16 UNC x 11" U-bolt	4	50	22962-036	5/8" Hardened Washer (Torque Plate)	22
22	22962-001	3/4" Flat Washer	8	51	47764-000	5/8"-11 UNC Locknut (Torque Plate)	8
23	17700-035	3/4"-16 UNF Hex Locknut	8	52		**Bendix Brake Caliper Assembly	2
	68987-022	<b>STEERTEK NXT Axle Assembly</b> Includes Key Nos. 24-45	1			Left Hand Part No. 802985 Right Hand Part No. 802984	
24	68986-003M	Axle & Kingpin Assembly	1	53		**Bendix Dust Shield Part No. K123970	2
		Lower Steering Knuckle Assembly, Includes Key Nos. 31-33, 37, 44-45		54	58035-001	3/8"-16 UNC x 1" Hex Bolt (Dust Shield)	8
25	58900-233	Left Hand	1			**Conmet® Pre-Set Hub and Rotor Assembly, Part No. 10083209, Includes Key Nos. 55-60	2
26	58900-234	Right Hand	1	55		**Conmet Hub Bearing Rebuild Kit, Part No. 10081727	
		Upper Steering Knuckle Assembly, Includes Key Nos. 29-30, 32-33		56		**Conmet Inner Bearing Cup and Cone Assembly, Part No. 10041905	
27	60903-255	Left Hand	1	57		**Conmet Outer Bearing Cup and Cone Assembly, Part No. 10041906	
28	60903-202	Right Hand	1	58		**Conmet Wheel Seal and Spacer Kit, Part No. 10081518	
		<b>Kingpin Bushing and Bearing Service Kits</b>		59		**Conmet Seal Kit, Part No. 10045885	
	60961-628	<b>Axle Set,</b> Includes Kit Nos. 60961-629 & -630		60		**Conmet Rotor Service Kit, Part No. 10082074	
	60961-629	<b>Left Hand with Composite Thrust Bearing,</b> Includes Key Nos. 29-34, 36 & Loctite		61		**Stemco Hubcap Assembly - 6", Kit No. 343-4346, Includes Key No. 64	2
	60961-630	<b>Right Hand with Roller Thrust Bearing,</b> Includes Key Nos. 29-33, 35-36 & Loctite		62		**Stemco Hubcap Gasket Part No. 330-3024	2
29	33117-000	Grease Zerk	2	63	64545-002	5/8"-18 UNC x 3/4" Hex Bolt (Hubcap) with Retainer Washer	12
30	68687-003	Grease Cap Assembly, Upper	2	64		**M22 x 1.5 Two-piece Wheel Nut	20
31	68687-002	Grease Cap Assembly, Lower	2	65	64550-000	ABS Sensor Clip	2
32	58909-001	Kingpin Bushing	4	66	A-22930-4	ABS Sensor	2
		<b>Thrust Bearing Service Kits</b>					
	60961-631	<b>Axle Set,</b> Includes Kit Nos. 60961-632 & -633					
	60961-632	<b>Left Hand Composite Thrust Bearing,</b> Includes Key Nos. 33-34, 36 & Loctite					
	60961-633	<b>Right Hand Roller Thrust Bearing,</b> Includes Key Nos. 33, 35-36 & Loctite					

## ■ Special Tool

### KINGPIN BUSHING TOOL – ADJUSTABLE STRAIGHT FLUTE REAMER

The dimension of cutting diameter must facilitate a range of **1.802"-1.812"**



**NOTES:** \* Item included in assembly only, part not sold separately.

\*\* Not supplied by Hendrickson for aftermarket service purposes. Description and part number listed for reference only. For more information and assistance with service, maintenance and rebuild instructions on these components see below component manufacturers:

- **Bendix** 1-800-AIR-BRAKE, customer service option 1, Tech Team, option 2. Online part number support go to: [www.bendix.com/en/servicessupport/partnumbersearch/partnumbersearch\\_1.jsp](http://www.bendix.com/en/servicessupport/partnumbersearch/partnumbersearch_1.jsp)  
Online technical support training go to: [www.brake-school.com](http://www.brake-school.com)
- **Conmet** Technical and Part Support 800.547.9473 or go to [www.conmet.com/general/literature](http://www.conmet.com/general/literature), go to Wheel End Literature, scroll down to Service Manual, Lit No. 10084476
- **Stemco** Technical and Part Support 800.527.8492 or go to [www.stemco.com](http://www.stemco.com)

This is a general parts list to provide directional information. Components may vary by model. Questions in regards to parts, contact Hendrickson Truck Parts at 1.866.755.5968 (Toll-free U.S. and Canada), 630.910.2800 (Outside U.S. and Canada) or e-mail: [truckparts@hendrickson-intl.com](mailto:truckparts@hendrickson-intl.com).

Actual product performance may vary depending upon vehicle configuration, operation, service and other factors.

All applications must comply with applicable Hendrickson specifications and must be approved by the respective vehicle manufacturer with the vehicle in its original, as-built configuration. Contact Hendrickson for additional details regarding specifications, applications, capacities, and operation, service and maintenance instructions.

**Call Hendrickson at 1.866.755.5968 (toll-free) or 1.630.910.2800 for additional information.**



[www.hendrickson-intl.com](http://www.hendrickson-intl.com)

**TRUCK COMMERCIAL VEHICLE SYSTEMS**  
800 South Frontage Road  
Woodridge, IL 60517-4904 USA  
1.866.755.5968 (Toll-free U.S. and Canada)  
1.630.910.2800 (Outside U.S. and Canada)  
Fax 1.630.910.2899

SP-332 Rev A 1-20

© 2020 Hendrickson USA, L.L.C. All Rights Reserved. All trademarks shown are owned by Hendrickson USA, L.L.C., or one of the affiliates, in one or more countries.

Information contained in this literature was accurate at the time of publication. Product changes may have been made after the copyright date that are not reflected.

Printed in United States of America