

# **H** PARTS LIST

## HT300US UNDERSLUNG

LIT NO: L1230

DATE: February 2020

REVISION: C

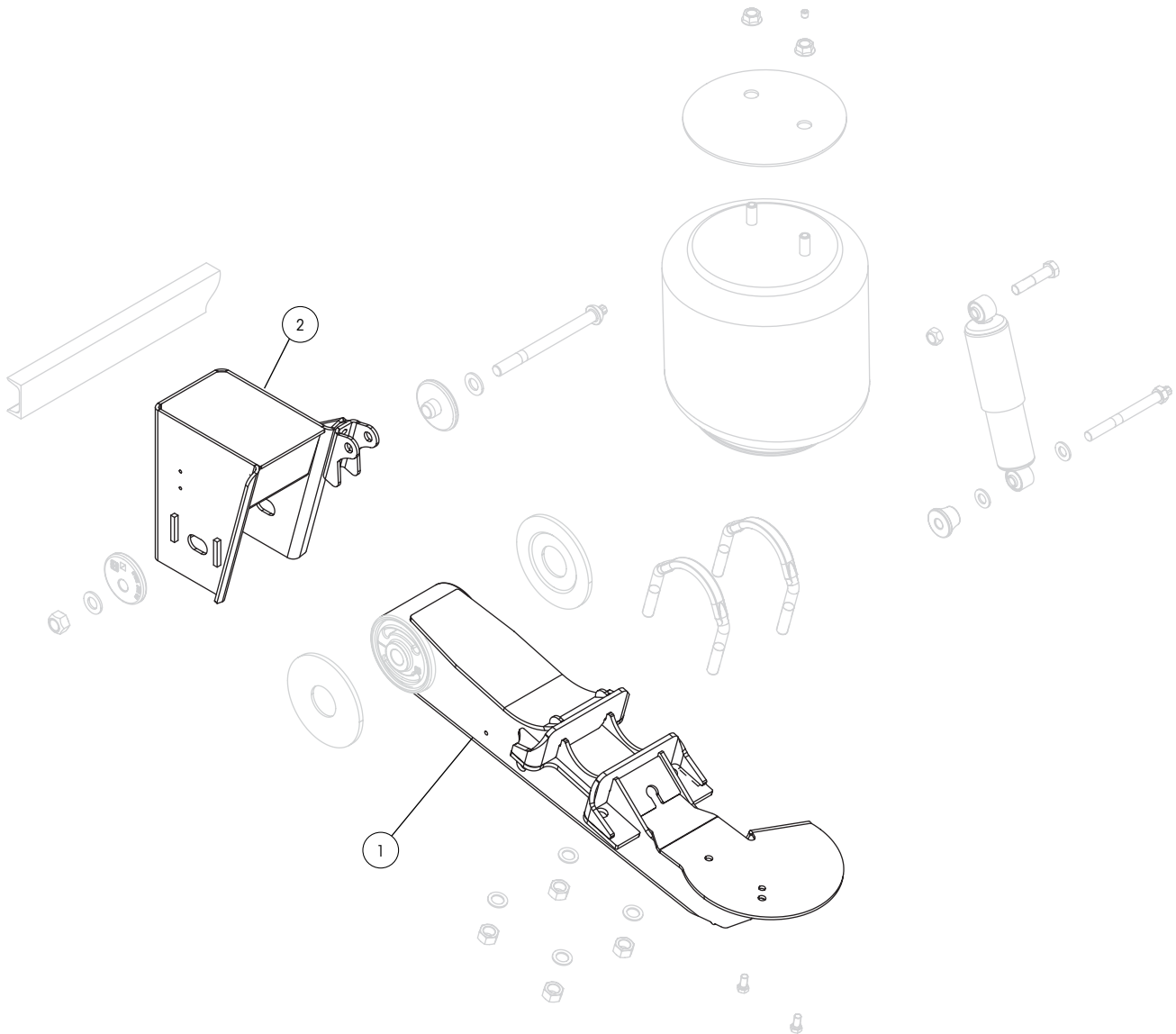
---



# HT300US UNDERSLUNG PARTS LIST



Picture shown may not resemble all models.



Wingless, weld-on frame bracket  
with QUIK-ALIGN® (Shown)



# HT300US UNDERSLUNG PARTS LIST

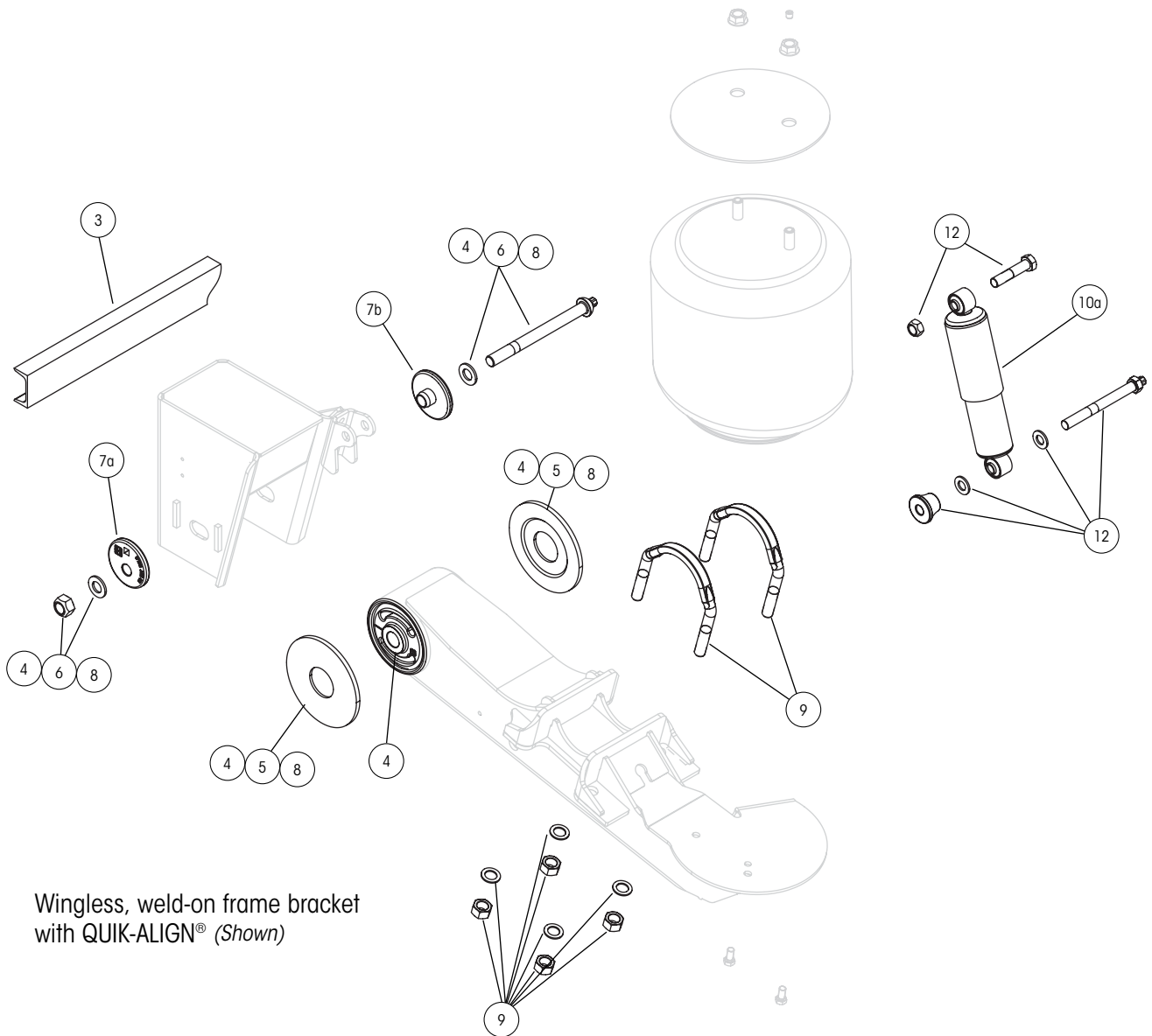
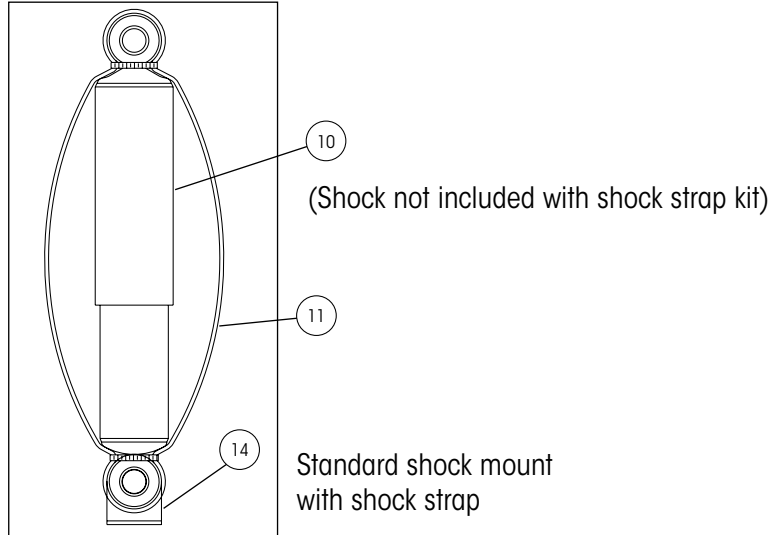
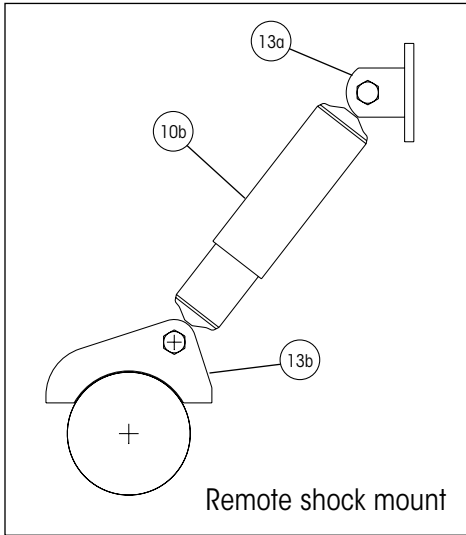
ITEM	DESCRIPTION	PART NO.	QTY. PER SUSP.	NOTE
<b>1</b>	<b>BEAM ASSEMBLY</b>			
	Roadside	S-32426-1	1	All models
	Curbside	S-32426-2	1	All models
<b>2</b>	<b>FRAME BRACKET</b>			See L1266 Frame Bracket Parts List

NOTE: Identification tag can be found on the front of the roadside frame bracket or the inside of the curbside beam.

# HT300US UNDERSLUNG PARTS LIST



Picture shown may not resemble all models.





# HT300US UNDERSLUNG PARTS LIST

ITEM	DESCRIPTION	PART NO.	QTY. PER SUSP.	NOTE
3	FRAME BRACKET C-CHANNEL	A-1631-19	1	All models
4	TRI-FUNCTIONAL® II BUSHING KIT <sup>1</sup>	S-24691	2	Includes bushing, bushing tube spacers, round head bolt, prevailing torque hex nut, hardened washers and lube
5	BUSHING TUBE SPACER	S-21099	4	All models
6	QUIK-ALIGN® PIVOT BOLT KIT	S-24679	2	Includes round head bolt, hardened washers and prevailing torque hex nut
7	ALIGNMENT COLLARS			
7a	Eccentric (outer)	S-20925	2	Alignment hole is off center
7b	Concentric (inner)	S-20924	2	Alignment hole is centered
8	BUSHING TUBE SPACER KIT	S-26369	2	Includes round head bolt, hardened washers prevailing torque hex nut and bushing tube spacers
9	U-BOLT KIT	S-21140/4	4	Includes (1) stepped U-bolt and hardware

10 & 11 SHOCK ABSORBERS AND SHOCK STRAP KITS					
ITEM	DESCRIPTION	SHOCK PART NUMBER (10)	QTY. PER SUSP.	SHOCK STRAP KIT NUMBER (11) <sup>2</sup>	QTY. PER SUSP.
a	Standard Shock Mount				
	Standard Travel				
	5.5" to 6.5" RH	S-23744	2	C-23086-10	1
	Standard Travel and Limited Jounce				
	7.5" to 17" RH	S-23743	2	C-23086-5	1
	Limited Jounce Travel				
	6.5" RH	S-23744	2	C-23086-10	1
	Extended Rebound Travel				
	6.5" RH	S-24579	2	C-23086-8	1
b	Remote Shock Mount <sup>3</sup>				
	Standard Travel				
	5.5" to 6.5" RH	S-23744	2	C-23086-10	1
	14" to 17" RH	S-23316	2	C-23086-6	1
	Standard Travel and Limited Jounce				
	7.5" to 12" RH	S-23743	2	C-23086-5	1
	Limited Jounce Travel				
	6.5" RH	S-23744	2	C-23086-10	1
	14" to 17" RH	S-23316	2	C-23086-6	1
	Extended Rebound Travel				
	6.5" RH	S-23316	2	C-23086-6	1

ITEM	DESCRIPTION	PART NO.	QTY. PER SUSP.	NOTE
12	SHOCK BOLT KIT			(1) Shock bolt is required per shock
	Standard Shock Mount	S-24024	2	
	Standard Shock Mount Lower	S-23642	2	
	Standard Shock Mount Upper	S-2157/2	1	
	Remote Shock Mount	S-2157/2	2	
13	REMOTE SHOCK MOUNT			
13a	Upper Assembly	A-5431	2	
13b	Lower Assembly	S-2723	2	
14	SHOCK STRAP CLEVIS	B-20919	2	Only needed for standard shock mount included in shock strap kit

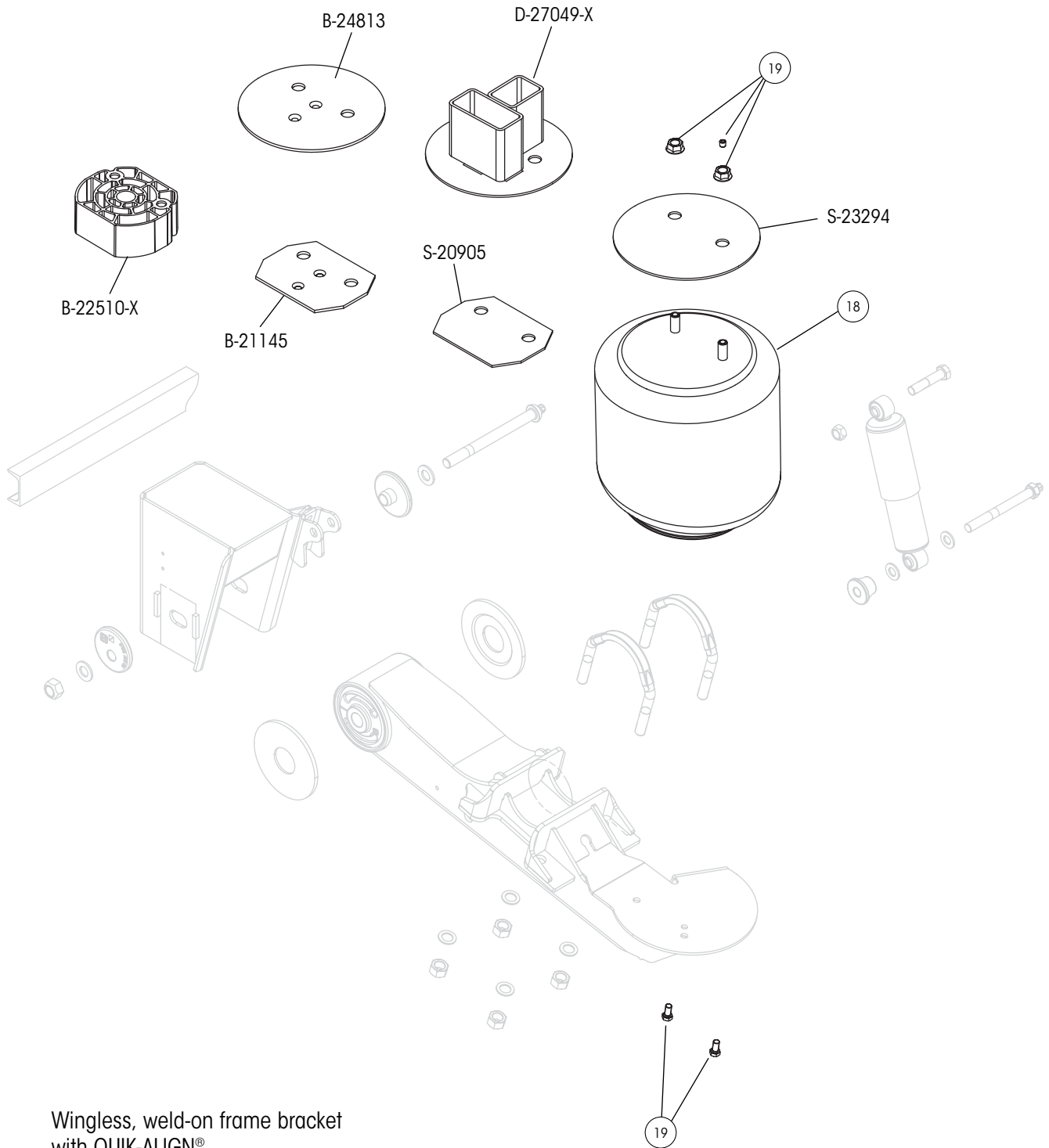
1. Bushing tool S-21307 is required to correctly re-bush the suspension
2. Shock strap kits: includes (2) straps, (2) clevis and (4) nylon ties
3. Clevis not included and not needed for remote shock mount

NOTE: Identification tag can be found on the front of the roadside frame bracket or the inside of the curbside beam.

# HT300US UNDERSLUNG PARTS LIST



Picture shown may not resemble all models.



Wingless, weld-on frame bracket  
with QUIK-ALIGN®



# HT300US UNDERSLUNG PARTS LIST

ITEM	DESCRIPTION	PART NO.	QTY. PER SUSP.	NOTE
15	<b>AIR SPRING MOUNTING PLATE</b>			
	<b>15a Weld-on, Standard Travel</b>			
	5.5" to 12" RH	S-23294	2	
	12" RH	S-20905	2	
	<b>15b Bolt-on, Standard Travel</b>			
	5.5" to 9" RH	B-24813	2	
	12" RH	S-23294	2	
	12" RH	B-21145	2	
16	<b>AIR SPRING SPACER ASSEMBLY</b>			Includes air spring plate and spacer assembly
	<b>Weld-on, Standard Travel</b>			
	14" RH	D-27049-2	2	
	17" RH	D-27049-4	2	
17	<b>AIR SPRING SPACER</b>			
	<b>17a Weld-on, Standard Travel</b>			
	12" RH	B-22510-3	2	
	<b>17b Bolt-on, Standard Travel</b>			
	12" RH	B-22510-3	2	
18	<b>AIR SPRING</b>	S-25319	2	
19	<b>AIR SPRING MOUNTING KIT</b>			Order (1) kit per air spring
	<b>Weld-on, Standard Travel</b>			
	5.5" to 17" RH	S-25339/2	2	
	12" RH	S-33437/2	2	
	<b>Weld-on, Limited Jounce Travel</b>			
	6.5" to 17" RH	S-25339/2	2	
	6.5" to 7.5" RH	S-33433/2	2	
	9" RH	S-33434/2	2	
	<b>Weld-on, Extended Rebound Travel</b>			
	6.5" RH	S-25339/2	2	
	<b>Bolt-on, Standard Travel</b>			
	5.5" to 12" RH	S-25339/2	2	
	12" RH	S-33437/2	2	
	<b>Bolt-on, Limited Jounce Travel</b>			
	6.5" to 9" RH	S-25339/2	2	
	6.5" to 7.5" RH	S-33433/2	2	
	9" RH	S-33434/2	2	

NOTE: Identification tag can be found on the front of the roadside frame bracket or the inside of the curbside beam.

*Actual product performance may vary depending upon vehicle configuration, operation, service and other factors.  
All applications must comply with applicable Hendrickson specifications and must be approved by the respective vehicle manufacturer with the vehicle in its original, as-built configuration.  
Contact Hendrickson for additional details regarding specifications, applications, capacities, and operation, service and maintenance instructions.*

**Call Hendrickson at 330.489.0045 or 866.RIDEAIR (743.3247) for additional information.**



[www.hendrickson-intl.com](http://www.hendrickson-intl.com)

**TRAILER COMMERCIAL VEHICLE SYSTEMS**

2070 Industrial Place SE  
Canton, OH 44707-2641 USA  
866.RIDEAIR (743.3247)  
330.489.0045 • Fax 800.696.4416

**Hendrickson Canada**

250 Chrysler Drive, Unit #3  
Brampton, ON Canada L6S 6B6  
800.668.5360  
905.789.1030 • Fax 905.789.1033

**Hendrickson Mexicana**

Circuito El Marqués Sur #29  
Parque Industrial El Marqués  
Pob. El Colorado, Municipio El Marqués,  
Querétaro, México C.P. 76246  
+52 (442) 296.3600 • Fax +52 (442) 296.3601

L1230 Rev C 02-20

© 2014 – 2020 Hendrickson USA, L.L.C. All Rights Reserved. All trademarks shown are owned by Hendrickson USA, L.L.C., or one of its affiliates, in one or more countries.  
Information contained in this literature was accurate at the time of publication. Product changes may have been made after the copyright date that are not reflected.

Printed in United States of America