

H PARTS LIST

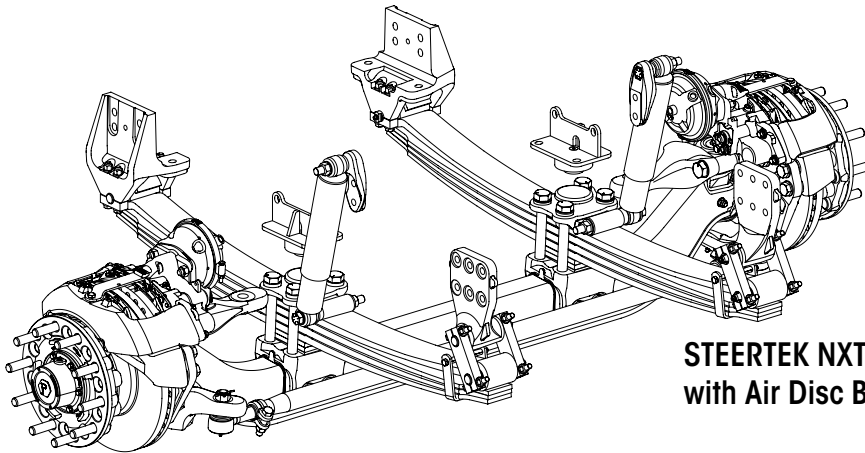
STEERTEK™ NXT High Capacity Steer Axle System for Rosenbauer Vehicles

LIT NO: SP-311
DATE: July 2020

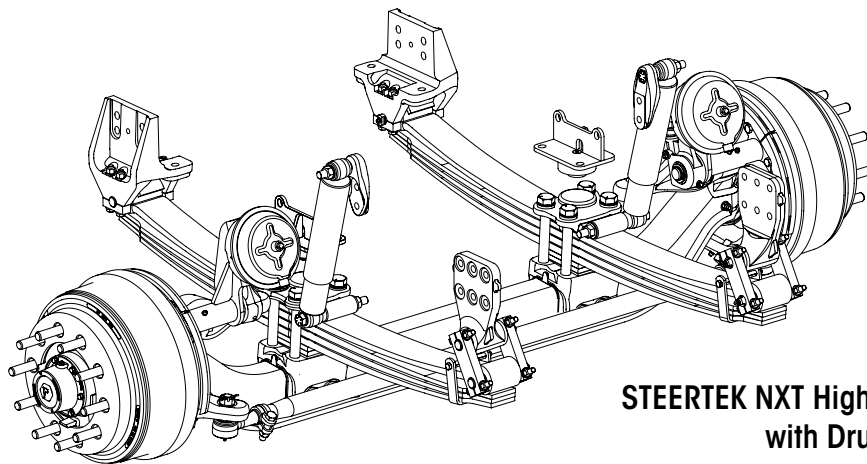
REVISION: C

CONTENTS

DESCRIPTION	PAGE	DESCRIPTION	PAGE
■ Parts List	2	■ Air Disc Brake Assembly	6
■ Selection Guides	4	■ Drum Brake Assembly	7
■ Aftermarket Straight Tie Rod Assembly and Tie Rod Arm Fastener Service Kit	5		
■ Special Tool	7		



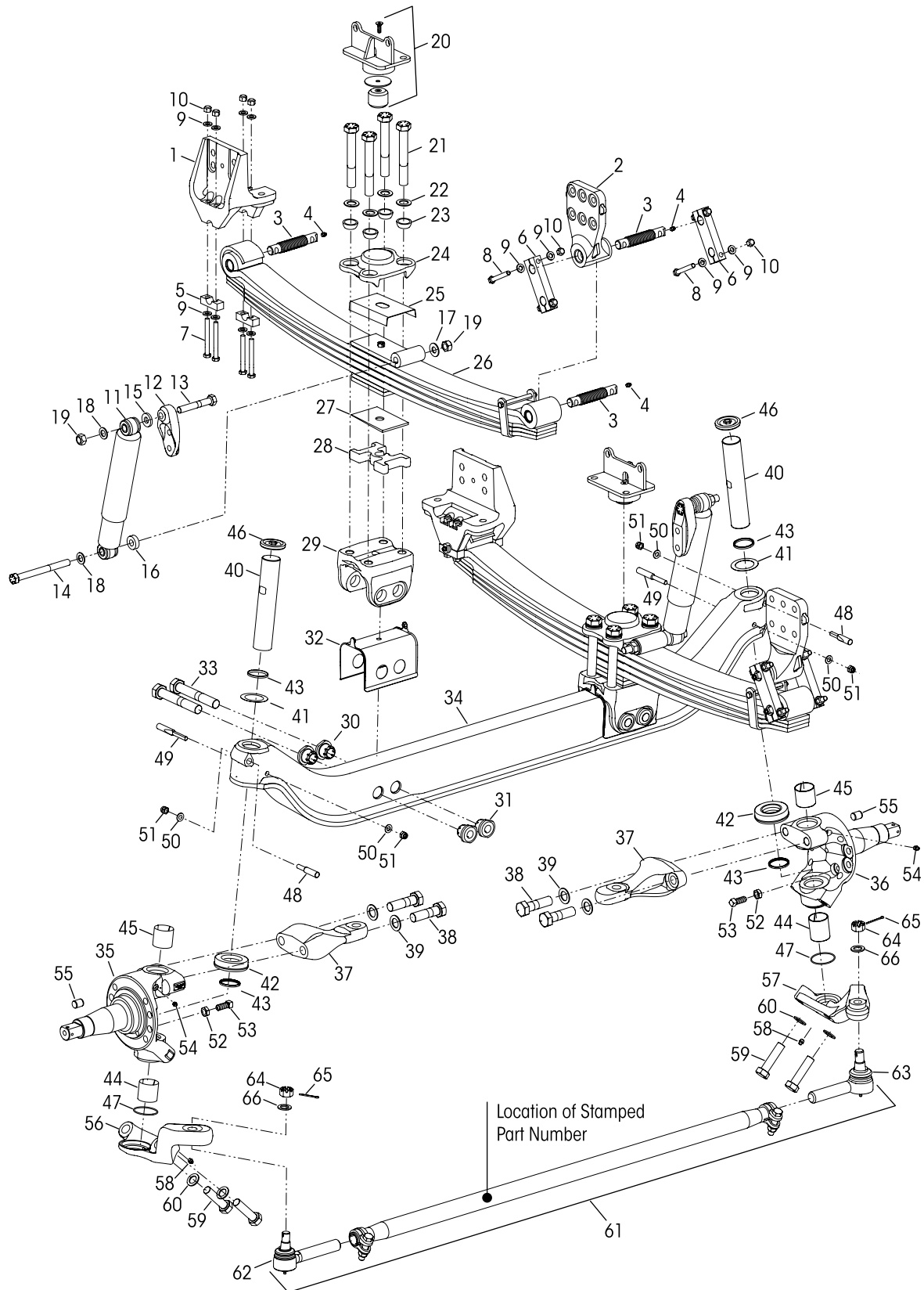
**STEERTEK NXT High Capacity
with Air Disc Brakes**



**STEERTEK NXT High Capacity
with Drum Brakes**



Suspension • Clamp Group • Axle Assembly





STEERTEK™ NXT High Capacity Steer Axle System for Rosenbauer Vehicles

KEY NO.	PART NO.	DESCRIPTION	VEHICLE QTY.	KEY NO.	PART NO.	DESCRIPTION	VEHICLE QTY.
1	79894-001	Frame Hanger Assembly		34	77284-008	Axle	1
2	80159-001	Front	2		77243-XXX	Knuckle Assembly, Includes Key Nos. 43, 46, 52-55, <i>See Table 2 on Page 4</i>	
	34013-247	Rear with Bushing	2	35		Left Hand	1
		Front Frame Hanger Fastener Service Kit, One Side , Includes Key Nos. 5, 7, 9-10		36		Right Hand	1
	34013-248	Rear Frame Hanger Fastener Service Kit, One Side , Includes Key Nos. 3-4, 6, 8-10		37		Steering Arm	
	34013-249	Single Threaded Pin and Grease Zerk Service Kit , Includes Key Nos. 3-4			77337-003	18K Single Steer	1
3		*Threaded Pin	6			20K Twin Steer	2
4		*Grease Zerk	6		77337-004	24K Twin Steer, 425 mm and below Tires	2
5	79843-000	Front Hanger Bottom Cap	4			24K Twin Steer, 445 mm Tires	2
6	79888-001	Rear Shackle	4	38	30550-027	1"-14 UNF x 3½" Hex Bolt	Varies
7	80362-001	½"-20 UNC x 4½" Hex Bolt	8	39	22962-051	1" Flat Washer	Varies
8	80362-002	½"-20 UNC x 3¼" Shackle Hex Bolt	8		34013-230	Kingpin Service Kit, One Side	
9	22962-014	½" Flat Washer	32			Includes Key Nos. 40, 41a, 42-51, 59-60	
10	17700-034	½"-20 UNF-2B Nut <i>Replaces 30978-000</i>	16	40	75923-001	Kingpin	2
	34013-250	Single Shock Absorber Service Kit		41		Kingpin Shim (As needed for service)	2
		Includes Key Nos. 11, 14-19		a	77241-002	0.01" Thickness	
11	80606-001	Shock Absorber	2	b	77241-003	0.02"	
12	78250-002	Shock Bracket	2	42	75918-001	Thrust Bearing	2
13	50764-019	¾"-10 UNC x 4½" Upper Shock Hex Bolt	2	43	75966-001	Kingpin Seal	4
14	50764-020	¾"-10 UNC x 8" Lower Shock Hex Bolt	2			Kingpin Bushing	
		Shock Spacer		44	75919-001	Lower, 2½" Length	2
15	59946-013	Upper	2	45	75919-002	Upper, 2" Length	2
16	59946-006	Lower Outboard	2	46	77209-001	Grease Cap	2
17	59946-005	Lower Inboard	2	47	68303-004	O-Ring	2
18	22962-001	¾" Flat Washer	4			Kingpin Draw Key	
19	49842-000	¾"-10 UNC Nut	4	48	75925-001	Upper, 3¾" Length	2
20		Jounce Stop Assembly		49	75925-002	Lower, 4¾" Length	2
	79854-000	Left	1	50	22962-054	⅞" Flat Washer	4
	79855-000	Right	1	51	17700-008	⅞"-14 UNC-2B Nut	4
	80141-XXX	Leaf Spring & Clamp Group Assembly, Includes Key Nos. 21-33, <i>See Table 1 on Page 4</i>	2	52	17491-023	⅝"-11 UNC-2B Jam Nut	2
		Clamp Group Service Kit, One Side , Includes Key Nos. 21-23, 25, <i>See Table 1 on Page 4</i>		53	80183-000	⅝"-11 UNC x 1½" Set Screw	2
21	64107-XXX	1"-8 UNC Hex Bolt, <i>See Table 1 on Page 4</i>	8	54	33117-000	Grease Zerk	2
22	22962-051	1" Flat Washer, <i>See Table 1 on Page 4</i>	8	55	64246-000	ABS Sensor Sleeve	2
23	78356-002	1" Spherical Washer	8		60961-893	**Aftermarket Tie Rod Arm and Tie Rod Assembly Fastener Service Kit , Includes Key Nos. 47, 59-60, 65	
24	78888-000	Top Pad	2			**Tie Rod Arm Assembly , Includes Key No. 58	
25	79273-001	Spring Liner	2			<i>See Table 2 on Page 4</i>	
26		Leaf Spring Assembly, Includes Key Nos. 3 & 4		56		Left Hand	1
		<i>See Table 1 on Page 4</i>		57		Right Hand	1
27	80143-001	Caster Wedge - 2°	2	58	33117-000	Grease Zerk	2
28		Spring Spacer (if equipped)		59	30418-014	⅞"-14 UNF x 3½" Hex Bolt	4
		<i>See Table 1 on Page 4</i>		60	22962-002	⅞" Flat Washer	4
29	77232-000	Axle Seat	2	61	80721-XXX	**Tie Rod Assembly , <i>Replaces 76879-XXX</i> , Includes Key Nos. 62-64, <i>See Table 2 on Page 4</i>	1
	34013-229	Axle Clamp Collar Service Kit, One Side				**Tie Rod End Service Kits, Straight	
		Includes Key Nos. 30-33			60961-890	Axle Set, Includes Kit Nos. 60961-888 and -889	
		*Axle Collar			60961-889	Left Hand, Includes Key Nos. 62, 64-66	
30		Non Threaded	4		60961-888	Right Hand, Includes Key Nos. 63-66	
31		Threaded	4			**Tie Rod End , Includes Key No. 64	
32	78887-001	Axle Seat Liner	2	62	80745-001	Left Hand	1
33		*1"-8 UNC x 6½" Hex Thru Bolt	4	63	80745-002	Right Hand	1
	80140-XXX	STEERTEK NXT High Capacity Axle Assembly		64		*⅞"-14 UNF-2A Castle Nut	2
		Fire and Rescue, Includes Key Nos. 34-36, 40-66, <i>See Table 2 on Page 4</i>		65	17800-004	Cotter Pin	2
				66	22962-002	⅞" Flat Washer	2

NOTES: * Item included in kit/assembly only, part not sold separately.

** The new robust Straight Tie Rod Assembly 80721-XXX replaces 76879-XXX (Key No. 61). If equipped 76879-XXX a conversion is necessary to perform component replacement. To verify which tie rod assembly is equipped on the vehicle, locate the part number on the tie rod tube. For conversion information see Aftermarket Conversion Kit on Page 5 and Figure 1.

*** If one tie rod arm requires replacement, both tie rod arms must be replaced with the modified tie rod arms. The new tie rod arms configures to the new tie rod assembly 80721-XXX and will no longer accept the previous 76879-XXX tie rod assembly.

Refer any questions to Hendrickson Truck Parts at truckparts@hendrickson-intl.com or Tech Services at techservices@hendrickson-intl.com.



■ Selection Guides

TABLE 1 Leaf Spring Assembly and Components

Capacity	Ride Height	Leaf Spring & Clamp Group Assembly	Clamp Group Service Kit	Leaf Spring Assembly Key No. 26	1" Hex Bolt Key No. 21		1" Flat Washer (Use only as specified) Key No. 22	Spring Spacer Key No. 28	
					Length	Part Number	Part Number	Thickness	Part Number
18K	8"	80141-101	34013-278	82378-000	7"	64107-002	---	---	---
	9.82"	80141-102	34013-256		9"	64107-003	22962-051	1"	79814-000
20K	8"	80141-201	34013-278	82379-000	7"	64107-002	---	---	---
	9.5"	80141-202	34013-279		8.5"	64107-006	---	1"	79814-000
24K	8"	80141-001	34013-254	82380-000	7.5"	64107-000	22962-051	---	---
	9"	80141-002	34013-255		8.5"	64107-006	22962-051	1"	79814-000

WARNING USE 1" FLAT WASHERS (PART NO. 22962-051) ONLY AS SPECIFIED IN TABLE 1 (LEAF SPRING AND CLAMP GROUP ASSEMBLY). TABLE 1 LISTS DIFFERENT CONFIGURATIONS FOR THIS ASSEMBLY. IN CERTAIN CONFIGURATIONS, THE CLAMP GROUP REQUIRES THE USE OF 1" FLAT WASHERS (PART NO. 22962-051) WITH THE SPECIFIED 1" HEX BOLT LENGTH, BUT NOT IN OTHER CONFIGURATIONS. IMPROPER CLAMP FORCE IN THE LEAF SPRING AND CLAMP GROUP ASSEMBLY, IMPROPER SEATING, AND COMPONENT DAMAGE CAN CAUSE LOSS OF VEHICLE CONTROL, ADVERSE VEHICLE HANDLING, PROPERTY DAMAGE, AND PERSONAL INJURY.

TABLE 2 Axle Assembly • Knuckle Assembly • Tie Rod Arm • Tie Rod Assembly

Wheel Base	Capacity	Axle Assembly	Knuckle Assembly		***Tie Rod Arm		**20K Tie Rod Assembly
			Left Hand Key No. 35	Right Hand Key No. 36	Left Hand Key No. 56	Right Hand Key No. 57	Key No. 61
180-210	18K Single Steer, Left Hand Drive	80140-002	77243-001	77243-102	77244-033	77244-034	80721-002
	18K Single Steer, Right Hand Drive	80140-003	77243-101	77243-001			
	20K Twin Steer	80140-004	77243-001				
211-240	20K Twin Steer	80140-005		77244-035	77244-036	80721-003	
240-260	24K with 425 mm Tires	80140-006	77244-037	77244-038			
	24K with 445 mm Tires	80140-007	77244-039	77244-040			



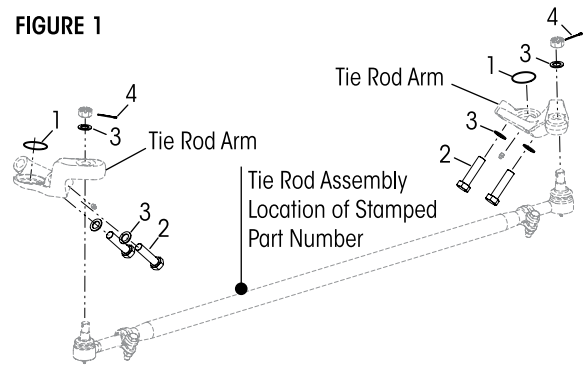
Aftermarket Tie Rod Arm and Straight Tie Rod Assembly Fastener Service Kit

*Needed to Complete Conversion to 80721-XXX Tie Rod Assembly and Revised Tie Rod Arm

KEY NO.	PART NO.	DESCRIPTION	KIT QTY.
	60961-893	*Aftermarket Straight Tie Rod Arm and Tie Rod Assembly Fastener Service Kit, Includes Key Nos. 1-4	
1	68303-004	O-Ring	2
2	30418-014	7/8"-14 UNF x 3 1/2" Hex Bolt	4
3	22962-002	7/8" Flat Washer	6
4	17800-004	Cotter Pin	2

NOTE * Locate the tie rod assembly number on the tie rod tube as shown in Figure 1 to verify if equipped with Part No. 76879-XXX. If so, then a new tie rod assembly (Part No. 80721-XXX) and both left and right updated tie rod arms require replacement. See Table 2 to order applicable tie rod arms, tie rod assembly, and this Fastener Service Kit to complete the conversion.

FIGURE 1



■ Special Tool

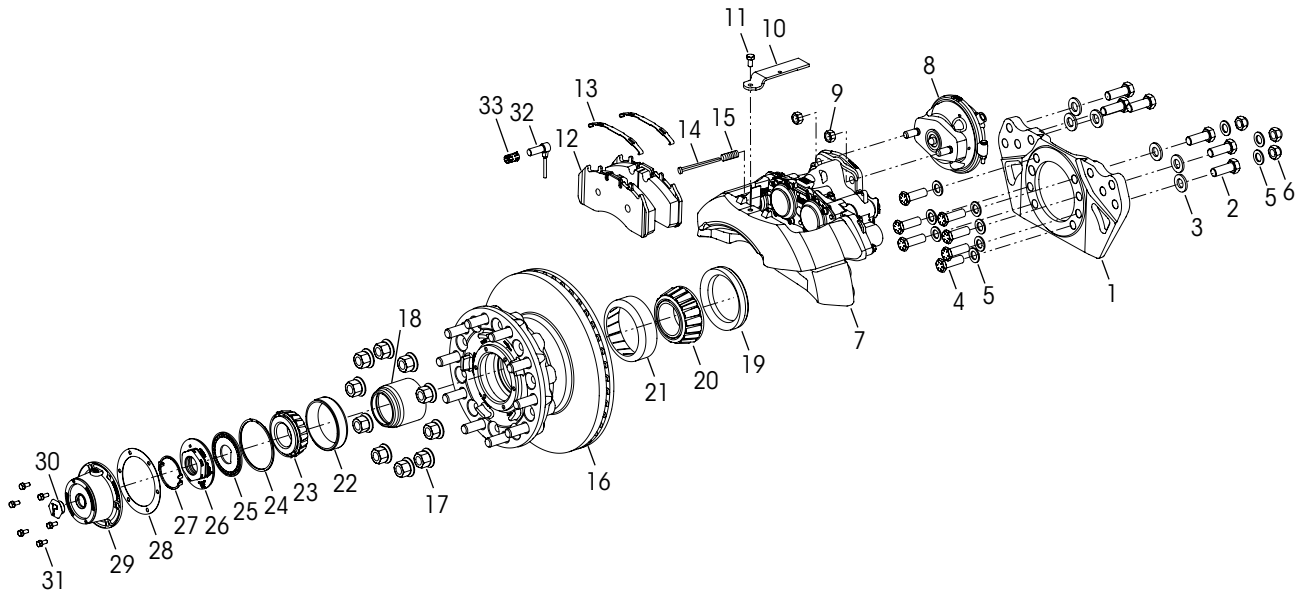
KINGPIN BUSHING TOOL – ADJUSTABLE STRAIGHT FLUTE REAMER

The dimension of cutting diameter must facilitate a range of **2.00"-2.01"**





Air Disc Brake Assembly

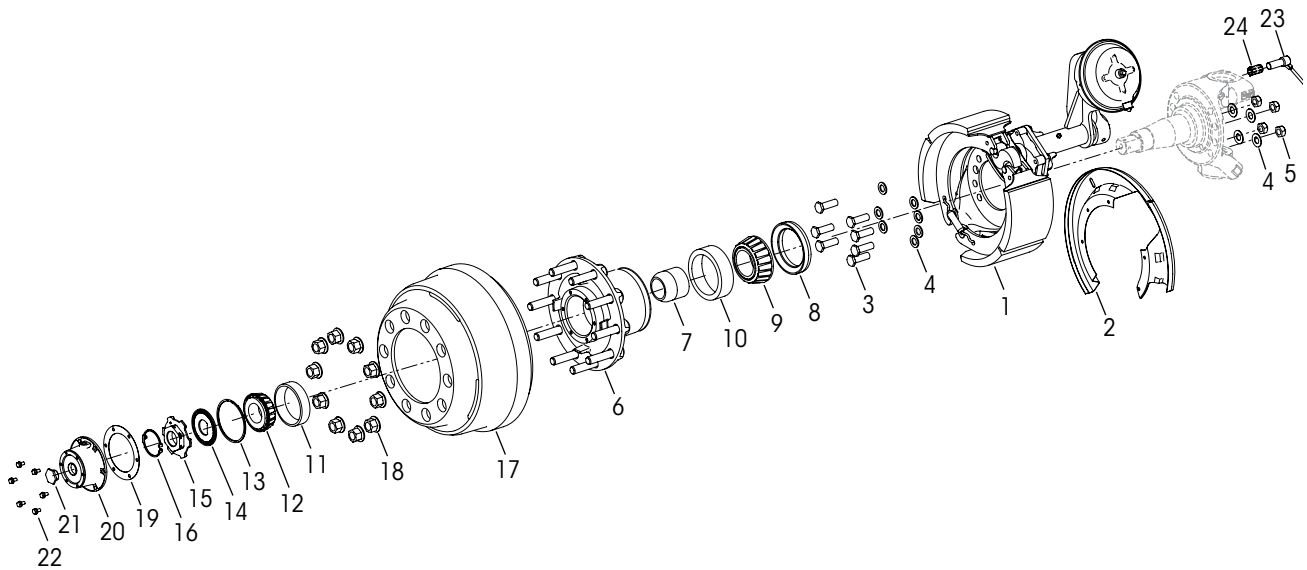


KEY NO.	PART NO.	DESCRIPTION	VEHICLE QTY.
1		*Meritor Torque Plate Assembly Left Hand, Part No. 3215-F-1878 Right Hand, Part No. 3215-E-1877	1 1
2	69781-002	M20 x 55 mm Hex Head Bolt	12
3	58246-018	M20 Flat Washer, <i>Replaces 58246-039</i> ,	12
4	80345-004	3/4"-16 UNC x 2 1/4" Low Profile Hex Head Bolt <i>Replaces 80345-001</i>	14
5	22962-001	3/4" Flat Washer	20
6	80691-001	3/4"-16 UNC Hex Nut	6
7		*Meritor Air Disc Brake Caliper Assembly, Includes Key Nos. 10-13 Left Hand, Part No. EX225H202XX000S Right Hand, Part No. EX225H201XX000S	1 1
8		*WABCO Air Brake Chamber MGMT24L, Includes K80131-001 Key No. 9 Left Hand, Part No. 423 506 1340 Right Hand, Part No. 423 506 1350	1 1
9		*Hex Nut *Meritor Disc Pad Retainer Kit No. 22510, Includes Key Nos. 10-11	4
10		*Pad Retainer	
11		*Pad Retainer Bolt *Meritor Air Disc Brake Pad Kit No. 2252H2CG, Includes Key Nos 12-13	
12		*Air Disc Brake Pad	
13		*Air Disc Brake Pad Spring *Meritor Wear Indicator Kit No. 225255, Includes Key Nos. 14-15	
14		*Wear Indicator	
15		*Wear Indicator Spring	

KEY NO.	PART NO.	DESCRIPTION	VEHICLE QTY.
16		*Conmet Hub and Rotor Assembly No. 10083224, Includes Bearings and Seals *Conmet Brake Rotor Replacement Kit No. 10082181, One Wheel End, Includes Rotor and 10 of Cap Screws and Washers	2
17		**M22 x 1.5 Two-piece Wheel Nut *Conmet Hub Bearing Rebuild Kit No. 10081728, One Wheel End, Includes Key Nos. 18-23 *Conmet Wheel Seal Kit No. 10081519, One Wheel End, Includes Key Nos. 18-19	20
18		*Bearing Spacer Part No. 10034342	
19		*Wheel Seal Part No. 10045883	
20		*Inner Bearing Cone Part No. 10041922	
21		*Inner Bearing Cup Part No. 10041921	
22		*Outer Bearing Cup Part No. 10041923	
23		*Outer Bearing Cone Part No. 10041924 *Conmet Preset Plus FL Nut Assembly Kit No. 10036550, Includes Key Nos. 24-27	
24		*Snap Ring - Double Wind Part No. 10033288	
25		*Spindle Nut Lock Washer 10031171	
26		*Outer Spindle Nut Part No. 10031170	
27		*Snap Ring Retainer Part No. 10031172	
28		*Federal-Mogul Hub Cap Gasket No. G-3009	2
29		*Federal-Mogul Hub Cap No. 343-009, Includes Key No. 30	2
30		*Rubber Plug	
31	64545-002	5/16"-18 UNC x 3/4" Hex Bolt with Retained Washer	12
32		*WABCO ABS Sensor No. 441-032-900-0	2
33	64550-000	ABS Sensor Clip	2



Drum Brake Assembly



KEY NO.	PART NO.	DESCRIPTION	VEHICLE QTY.	KEY NO.	PART NO.	DESCRIPTION	VEHICLE QTY.
1		*Meritor Drum Brake Foundation Kit, Includes Key No. 2 Left Hand, Part No. QP4-1656-2055 Right Hand, Part No. QP4-1656-2056	1 1	10		*Inner Bearing Cup Part No. 10041921	
2		*Dust Shield	2	11		*Outer Bearing Cup Part No. 10041923	
3	80345-004	3/4"-16 x 2 1/4" Low Profile Hex Head Bolt	14	12		*Outer Bearing Cone Part No. 10041924	
4	22962-001	3/4" Flat Washer	20			*Conmet Preset Plus FL Nut Assembly Kit No. 10036550, Includes Key Nos. 13-16	
5	80691-001	3/4"-16 UNC - 2B Nut	6	13		*Snap Ring - Double Wind Part No. 10033288	
		*Conmet Preset Plus FL Hub Assembly Part No. 10081313, Includes Key Nos. 6-16	2	14		*Spindle Nut Lockwasher 10031171	
6		*Hub Part No. 10033316		15		*Outer Spindle Nut Part No. 10031170	
		*Conmet Hub Bearing Rebuild Kit No. 10081728, One Wheel End, Includes Key Nos. 7-12		16		*Snap Ring Retainer Part No. 10031172	
		*Conmet Wheel Seal Kit No. 10081519, One Wheel End, Includes Key Nos. 7-8		17		*Conmet Drum 16.5 x 6 No. 10033071	
7		*Bearing Spacer Part No. 10034342		18		**M22 x 1.5 Two-piece Wheel Nut	20
8		*Wheel Seal Part No. 10045883		19		*Federal-Mogul Hub Cap Gasket No. G-3009	2
9		*Inner Bearing Cone Part No. 10041922		20		*Federal-Mogul Hub Cap No. 343-009, Includes Key No. 21	2
				21		*Rubber Plug	2
				22	64545-002	5/16"-18 UNC x 3/4" Hex Bolt with Retained Washer	12
				23		*WABCO ABS Sensor No. 441-032-900-0	2
				24	64550-000	ABS Sensor Clip	2

NOTES: * Not supplied by Hendrickson for aftermarket service purposes. Description and part number listed for reference only. For more information and assistance with service, maintenance and rebuild instructions on these components see below component manufacturers:

- Conmet Technical and Part Support 800.547.9473 or go to aftermarket.conmetwheelends.com/hub-selection
- Federal Mogul Technical and Part Support 800.325.8886 or go to www.fme-cat.com
- Meritor Technical and Part Support 888.725.9355, or for parts: www.meritorpartsexpress.com and for technical support: www.meritorbullpen.com
- WABCO Technical and Part Support 855.228.3203 or go to www.wabco-auto.com/emea/Services-and-Support/Services-and-Support

** Not supplied by Hendrickson, used for reference only. Contact the vehicle manufacturer for more information.

This is a general parts list to provide directional information. Components may vary by model. Questions in regards to parts, contact Hendrickson Truck Parts at 1.866.755.5968 (Toll-free U.S. and Canada), 630.910.2800 (Outside U.S. and Canada) or email: truckparts@hendrickson-intl.com.
Actual product performance may vary depending upon vehicle configuration, operation, service and other factors.
All applications must comply with applicable Hendrickson specifications and must be approved by the respective vehicle manufacturer with the vehicle in its original, as-built configuration.
Contact Hendrickson for additional details regarding specifications, applications, capacities, and operation, service and maintenance instructions.

*Call Hendrickson at **1.866.755.5968** (toll-free) or **1.630.910.2800** for additional information.*



www.hendrickson-intl.com

TRUCK COMMERCIAL VEHICLE SYSTEMS
800 South Frontage Road
Woodridge, IL 60517-4904 USA
1.866.755.5968 (Toll-free U.S. and Canada)
1.630.910.2800 (Outside U.S. and Canada)
Fax 1.630.910.2899

SP-311 Rev C 07-20

© 2018-2020 Hendrickson USA, L.L.C. All Rights Reserved. All trademarks shown are owned by Hendrickson USA, L.L.C., or one of the affiliates, in one or more countries.
Information contained in this literature was accurate at the time of publication. Product changes may have been made after the copyright date that are not reflected.

Printed in United States of America