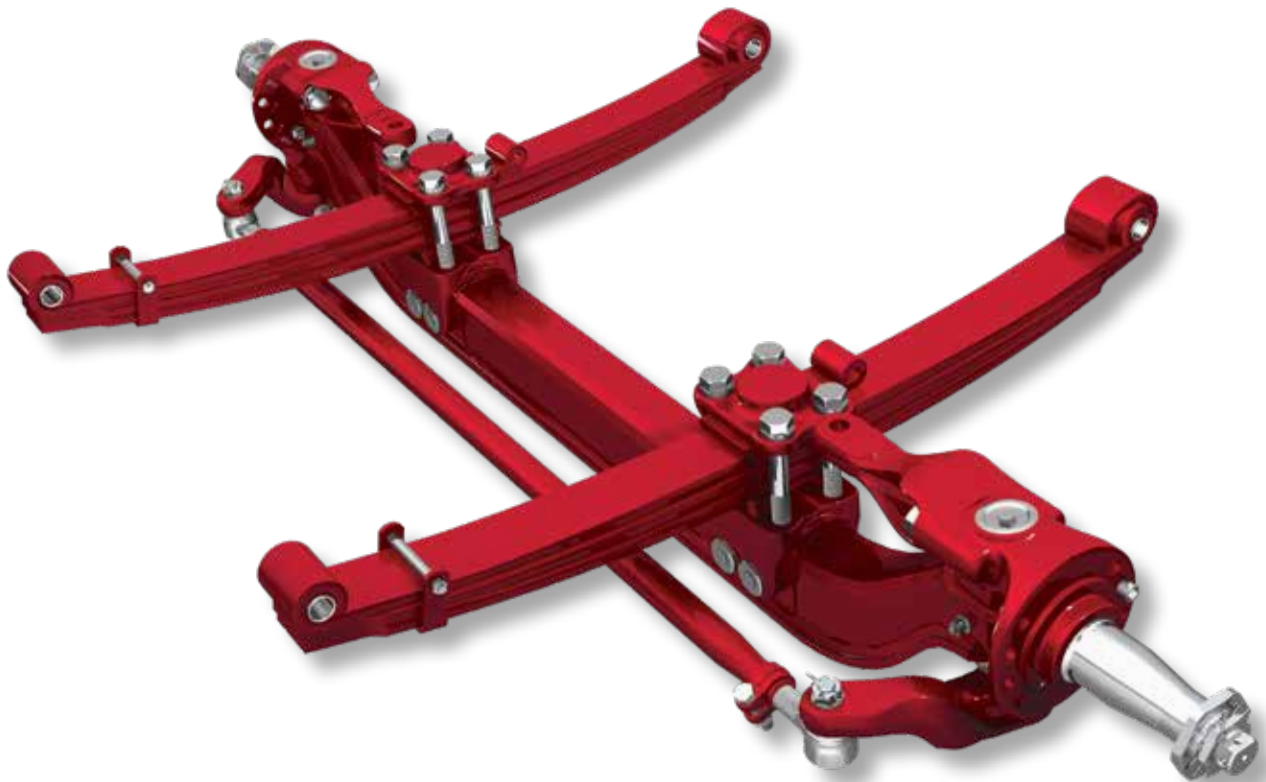


- Maximize weight savings
- Maximize durability
- Maximize handling and performance
- Up to 20,800 pound capacity



Hendrickson's STEERTEK™ NXT front steer axle and integrated suspension are optimized to deliver maximum performance as a complete system solution. The fabricated STEERTEK NXT design integrates lightweight axle durability with advanced spring suspension technology, saving up to 60 pounds compared to traditional forged I-beam axle and multi-leaf spring systems. Designed specifically for Autocar Xpeditor vehicles, the 20,800-pound capacity system delivers true system efficiency in demanding refuse applications.



To learn more about STEERTEK NXT,  
call 855.743.3733 or visit  
[www.hendrickson-intl.com](http://www.hendrickson-intl.com)

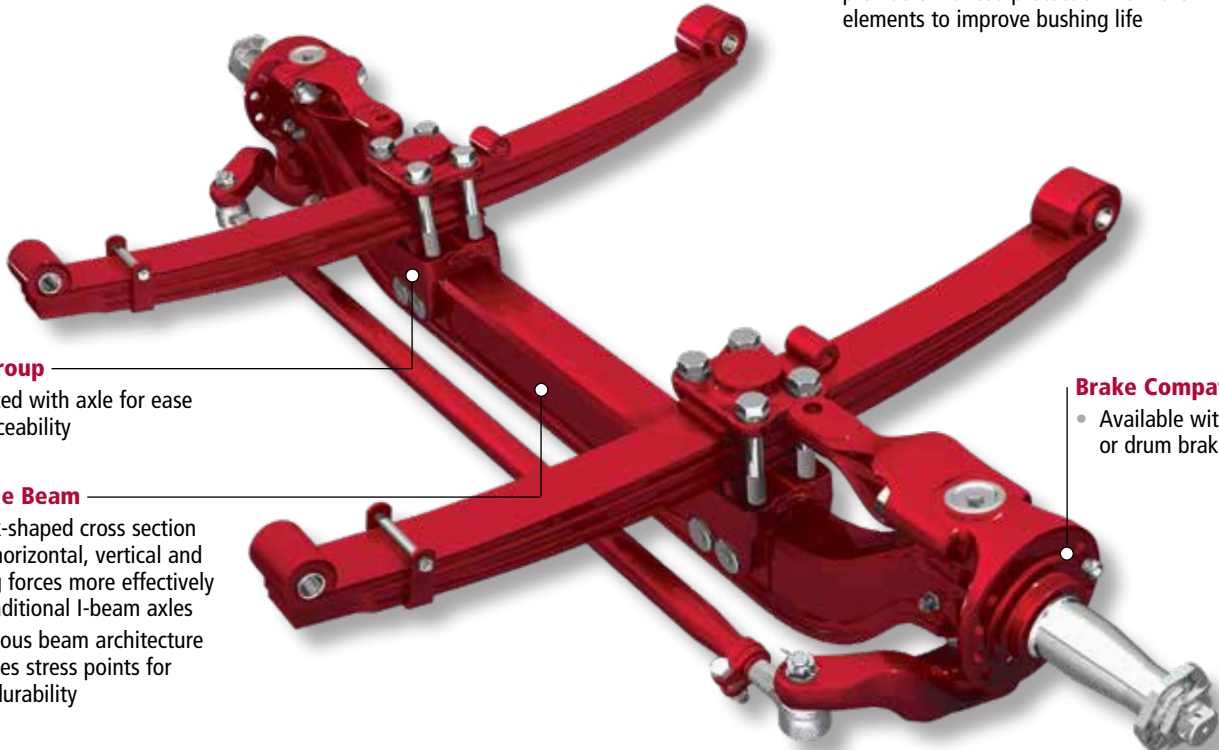
# STEERTEK NXT System Features and Benefits

## Weight Savings

- Integrated system design provides up to 60 pounds of weight savings compared to traditional forged I-beam axle and multi-leaf spring systems.

## Reduced Maintenance

- Removable kingpin design
- Premium kingpin bushings and seals provide enhanced protection from the elements to improve bushing life



## Clamp Group

- Integrated with axle for ease of serviceability

## Rigid Axle Beam

- The box-shaped cross section resists horizontal, vertical and twisting forces more effectively than traditional I-beam axles
- Continuous beam architecture minimizes stress points for added durability

## Brake Compatibility

- Available with disc or drum brakes

## Advanced Suspension Integration

- Specifically designed for refuse applications with capacities up to 20,800 pounds
- Parabolic springs provide increased wheel travel and lower spring rate for improved ride quality
- System designed for optimal control under heavy braking
- Engineered to deliver up to a 50-degree wheel cut

*Actual product performance may vary depending upon vehicle configuration, operation, service and other factors.*

*All applications must comply with applicable Hendrickson specifications and must be approved by the respective vehicle manufacturer with the vehicle in its original, as-built configuration. Contact Hendrickson for additional details regarding specifications, applications, capacities, and operation, service and maintenance instructions.*

Call Hendrickson at **630.910.2800** or **855.RIDERED (743.3733)** for additional information.



[www.hendrickson-intl.com](http://www.hendrickson-intl.com)

## TRUCK COMMERCIAL VEHICLE SYSTEMS

800 South Frontage Road  
Woodridge, IL 60517-4904 USA  
855.RIDERED (743.3733)  
630.910.2800 • Fax 630.910.2899

45745-467 Rev B 01-20

© 2017 – 2020 Hendrickson USA, L.L.C. All Rights Reserved. All trademarks shown are owned by Hendrickson USA, L.L.C., or one of its affiliates, in one or more countries, except for the Autocar logo, which is owned by Autocar, LLC or one of its affiliates. Information contained in this literature was accurate at the time of publication. Product changes may have been made after the copyright date that are not reflected.

Printed in United States of America