

H PARTS LIST

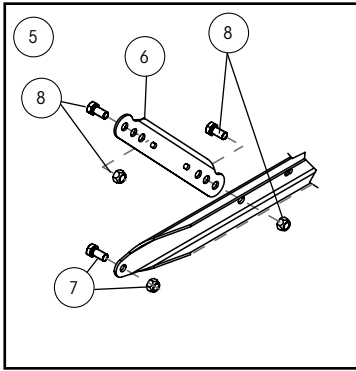
INTRAAX® AAEDT 30K

LIT NO: L1059

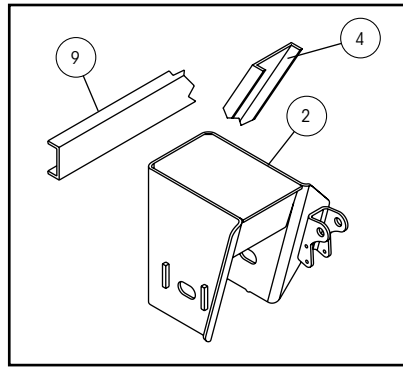
DATE: November 2020

REVISION: E

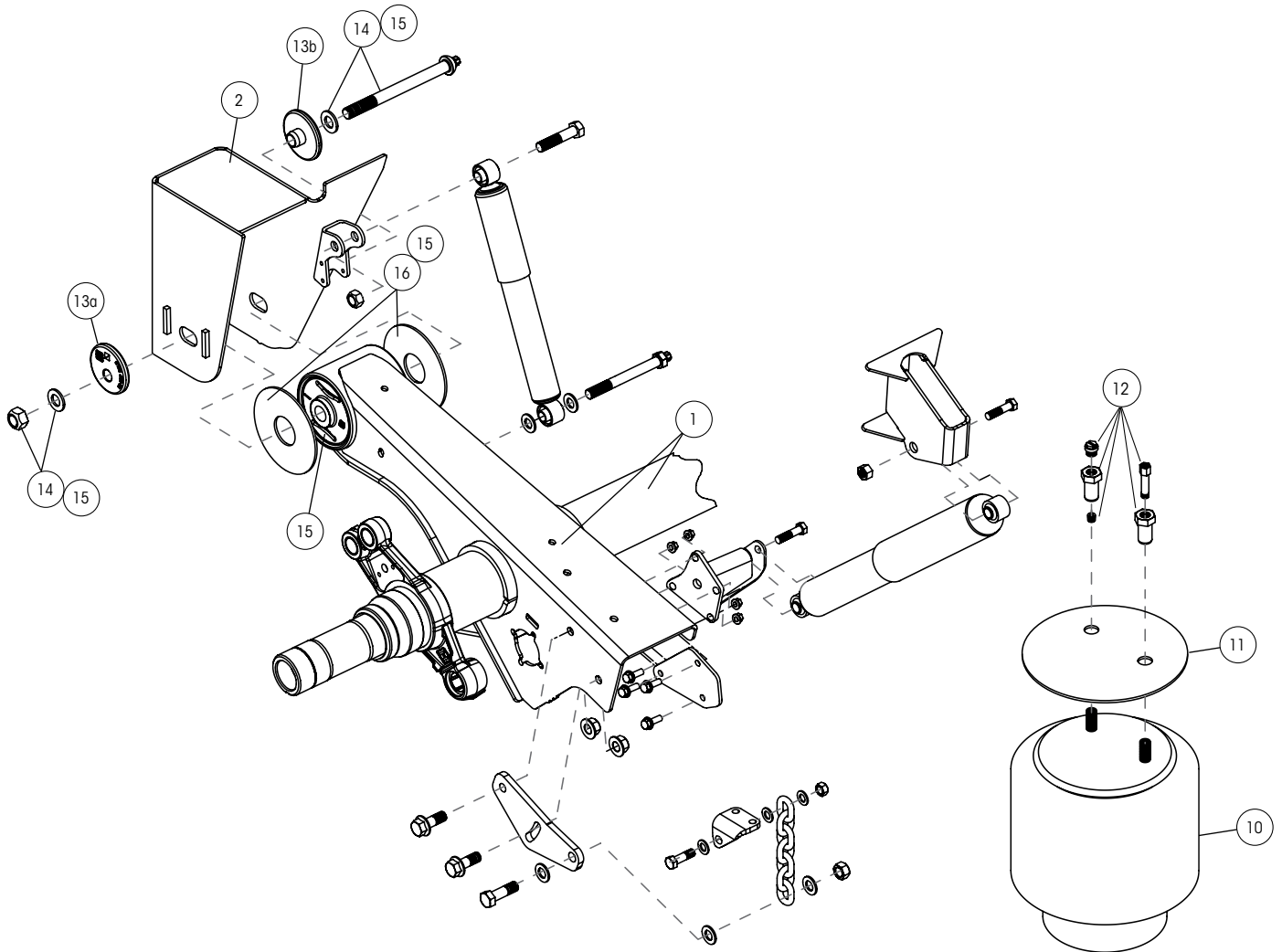




Bolt-on C-Channel



Wingless, weld-on frame bracket with QUIK-ALIGN®





INTRAAAX AAEDT 30K PARTS LIST

ITEM	DESCRIPTION	PART NO.	QTY.	NOTE
1	AXLE/BEAM WELDMENT	HTRAAX.XXX	1	Contact Hendrickson for assistance
2	FRAME BRACKET ¹			See L1266 Frame Bracket Parts List
3	FRAME BRACKET GUSSET (Not shown)	S-27330	2	14" and 15" ride heights
4	FRAME BRACKET BRACE	B-2347-7	1	16" and 17" ride heights
5	BOLT-ON C-CHANNEL KIT ²			
	71.5" Track	S-31901-3C	1	Standard/black primer; includes c-channel, 2 struts and strut bolt kit
	77.5" Track	S-31901-1C	1	Standard/black primer; includes c-channel, 2 struts and strut bolt kit
6	STRUT ²	B-30591	2	
7	C-CHANNEL BOLT KIT	S-29822	1	Includes 2 screws and 2 prevailing torque nuts
8	STRUT BOLT KIT	S-30720	1	Includes 6 screws and 6 prevailing torque nuts
9	WELD-ON C-CHANNEL			
	71.5" - 77.5" Tracks	A-1631-19	1	13.5" to 19" ride heights
	83.5" - 85" Tracks	A-1631-35	1	13.5" to 19" ride heights
10	AIR SPRING	S-25319	2	Use to replace C-25319
11	AIR SPRING FLEX PLATE			
	Weld-on	S-23294	2	
	Bolt-on	B-24813	2	14" to 17" ride heights
		S-23294	2	18" to 19" ride heights
12	AIR SPRING MOUNTING KIT (One per air spring)			
	Standard Frame	S-25339/2	2	
	Thick .09" to 1.25" Frame	S-25453/2	2	
13	ALIGNMENT COLLARS			
	13a Eccentric	S-20925	2	Pivot bolt hole is offset from center of collar
	13b Concentric	S-20924	2	Pivot bolt hole is in center of collar
14	QUIK-ALIGN® PIVOT BOLT KIT ³			
	14a Pivot bolt kit	S-24679	2	Includes 10" shear-type bolt, nut and washers
	Standard	S-26369	2	Includes 10" shear-type bolt, nut, washers, and std. bushing tube spacer (Item 16)
	Off-Highway	S-40394-1	2	Includes 10" shear-type bolt, nut, washers, and off-highway bushing tube spacers (Item 16)
	14c Pivot bolt kit w/alignment collars	S-24680	2	Includes 10" shear-type bolt, nut, washers and alignment collars
15	TRI-FUNCTIONAL® BUSHING KIT ^{3, 4}			
	Standard	S-24691	2	Includes bushing, pivot bolt kit (Item 14a), std. bushing tube spacer (Item 16) and lube
	Off-Highway	S-40393-1	2	Includes bushing, pivot bolt kit (Item 14a), off-highway bushing tube spacers (Item 16) and lube
	Standard pivot bushing kit w/alignment collars	S-28654	1	Includes 2 bushings, 2 pivot bolt kits (Item 14a), std. bushing tube spacers (Item 16) and lube
16	BUSHING TUBE SPACERS			4 required per axle
	Standard	S-21099	4	
	Off-Highway	S-40230-1	4	

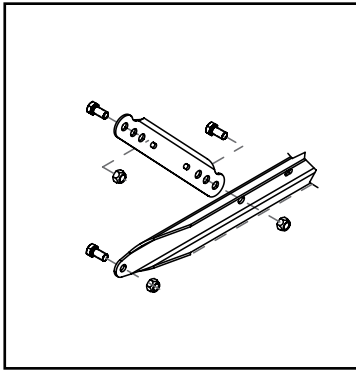
1. Other options exist based on frame attachment, frame bracket style, bolt hole pattern and connection. Contact Hendrickson for assistance or refer to L1266 Frame Brackets Parts List.

2. Struts are only optional for bolt-on frame brackets. Other options exist for galvanized or different track widths.

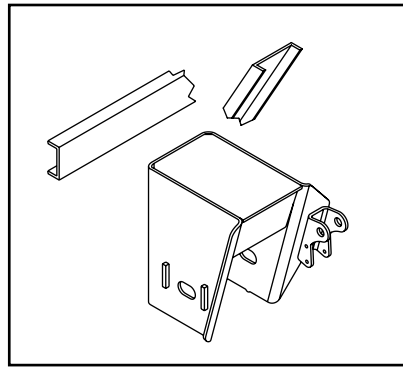
3. Best installed with Hendrickson's E-20 socket S-24536 (1-inch drive sleeveless), S-25119 (1-inch drive sleeve) or S-24303 (3/4-inch drive sleeveless). Hendrickson recommends S-25119.

4. Bushing tool S-21307 is required to correctly rebush the suspension.

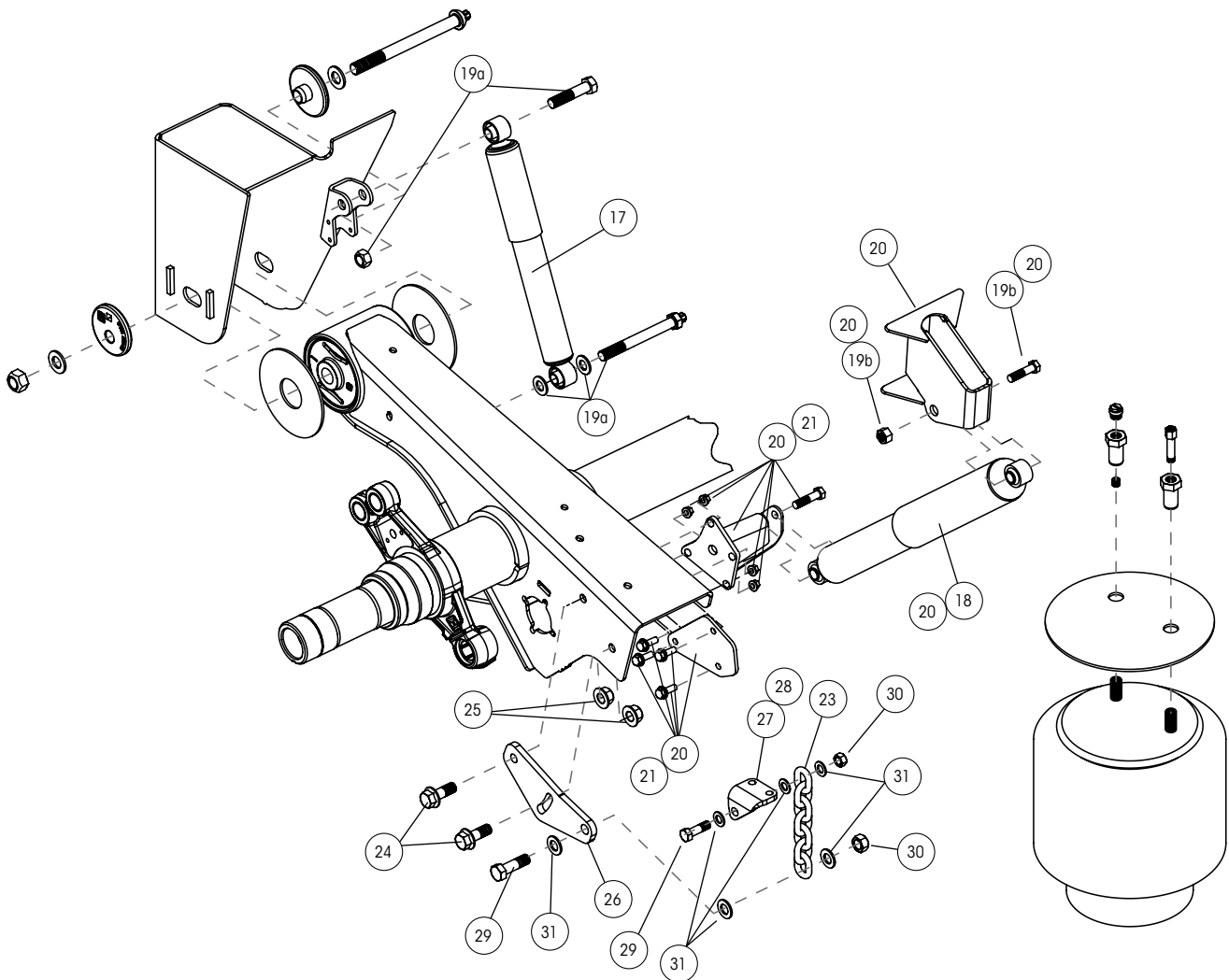
Note: Identification tag can be found on the inside of the curbside beam.



Bolt-on C-Channel



Wingless, weld-on frame bracket with QUIK-ALIGN®





ITEM	DESCRIPTION	PART NO.	QTY.	NOTE
17	FRONT SHOCK ABSORBER (Extended service / High damping)			
	14" ride height	S-23316	2	
	15" and 17" ride height	S-25515	2	
18	REAR SHOCK ABSORBER	S-25436	2	14" and 15" ride heights
	14" and 15" ride height	S-25436	2	
	16" and 17" ride height	S-25512	2	
19	SHOCK BOLT KIT (One per shock)			
	19a Front shock absorber	S-24757/2	2	
	19b Rear shock absorber	S-2157/2	2	
20	REAR SHOCK RETROFIT KIT			
	14" and 15" ride height	S-26428	1	
	16" and 17" ride height	S-26429	1	
21	REAR SHOCK TOWER REPLACEMENT			
	Roadside	S-26426	1	
	Curbside	S-26427	1	
22	SHOCK STRAP (Not shown)			
	14" ride height	C-24041-3		Includes 2 straps, 2 clevis and 4 nylon ties
	15" - 17" ride heights	C-24041-12		Same as above

REBOUND LIMITER COMPONENTS

23	REBOUND LIMITER CHAIN			
	15" ride height	SA-9600-13	2	13 links
	14", 16", 17" ride heights	SA-9600-15	2	15 links
	19" ride height	SA-9600-17	2	17 links
24	CHAIN BRACKET FLANGED BOLT	SA-6900-20	4	
25	CHAIN BRACKET FLANGED NUT	SA-7000-6	4	
26	LOWER CHAIN BRACKET	B-25333	2	
27	UPPER CHAIN BRACKET (L)	C-25271-1	1	
28	UPPER CHAIN BRACKET (R)	C-25271-2	1	
29	CHAIN BRACKET BOLT	SA-1000-31	4	
30	CHAIN BRACKET NUT	SA-8900-3	4	
31	CHAIN BRACKET WASHER	SA-1500-6	12	



NOTES:

A series of horizontal lines providing a space for handwritten notes.

*Actual product performance may vary depending upon vehicle configuration, operation, service and other factors.
All applications must comply with applicable Hendrickson specifications and must be approved by the respective vehicle manufacturer with the vehicle in its original, as-built configuration.
Contact Hendrickson for additional details regarding specifications, applications, capacities, and operation, service and maintenance instructions.*

Call Hendrickson at 330.489.0045 or 866.RIDEAIR (743.3247) for additional information.



www.hendrickson-intl.com

TRAILER COMMERCIAL VEHICLE SYSTEMS

2070 Industrial Place SE
Canton, OH 44707-2641 USA
866.RIDEAIR (743.3247)
330.489.0045 • Fax 800.696.4416

Hendrickson Canada

250 Chrysler Drive, Unit #3
Brampton, ON Canada L6S 6B6
800.668.5360
905.789.1030 • Fax 905.789.1033

Hendrickson Mexicana

Circuito El Marqués Sur #29
Parque Industrial El Marqués
Pob. El Colorado, Municipio El Marqués,
Querétaro, México C.P. 76246
+52 (442) 296.3600 • Fax +52 (442) 296.3601

L1059 Rev E 11-20

© 2012 – 2020 Hendrickson USA, L.L.C. All Rights Reserved. All trademarks shown are owned by Hendrickson USA, L.L.C., or one of its affiliates, in one or more countries.
Information contained in this literature was accurate at the time of publication. Product changes may have been made after the copyright date that are not reflected.

Printed in United States of America