

H PARTS LIST

AIRTEK® Front Suspension System with STEERTEK NXT Axle for Hoist Lift Truck® T Series

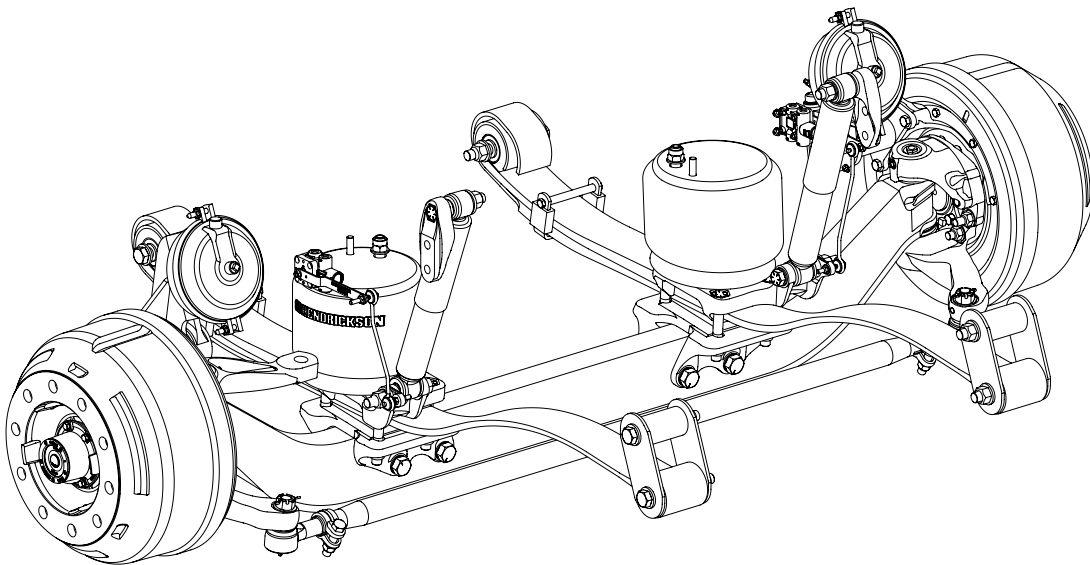
LIT NO: SP-313

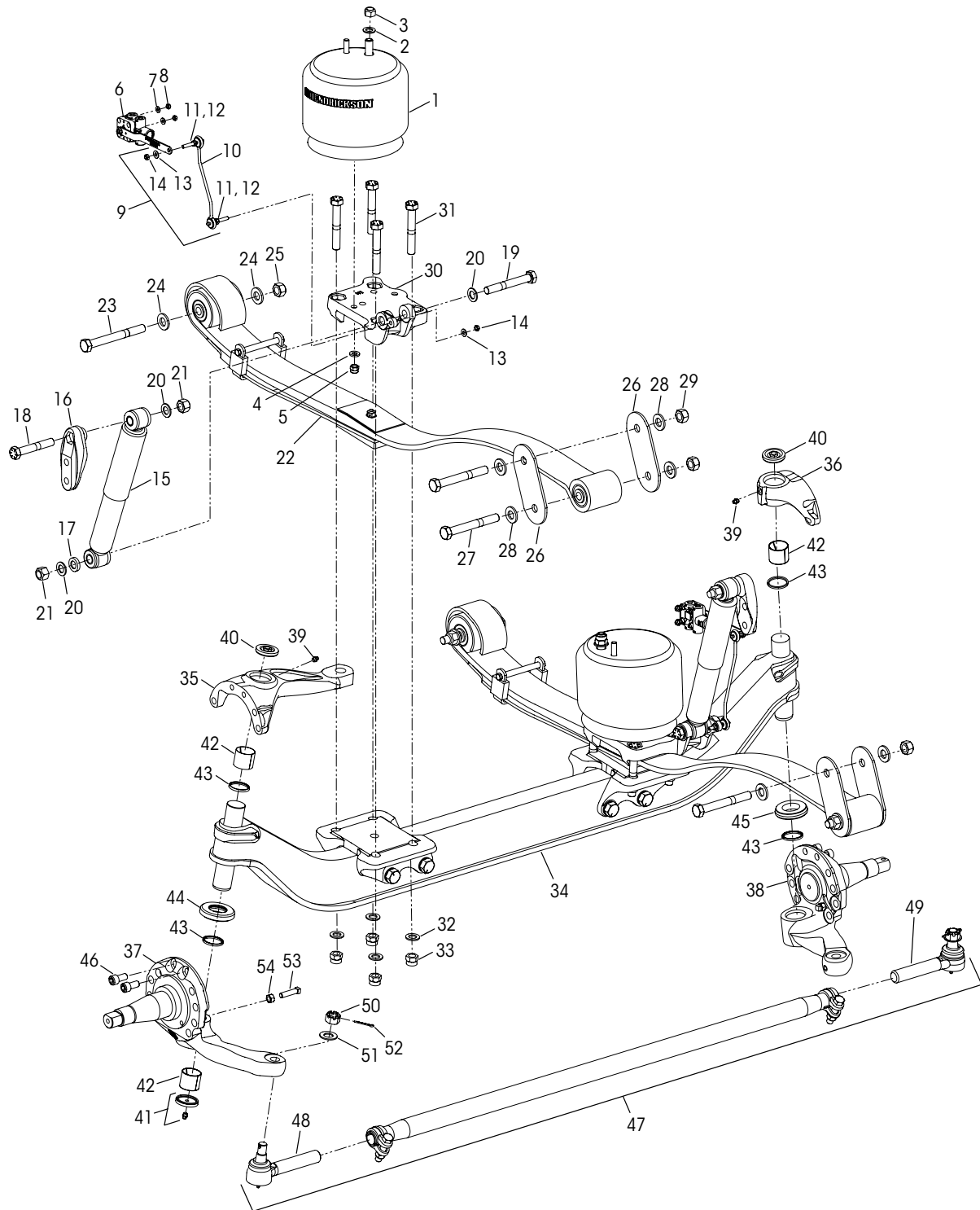
DATE: November 2018

REVISION: B

CONTENTS

DESCRIPTION	PAGE
AIRTEK with STEERTEK NXT Axle Parts List	2
Special Tool	3
Drum Brake Assembly	4







KEY NO.	PART NO.	DESCRIPTION	VEHICLE QTY.	KEY NO.	PART NO.	DESCRIPTION	VEHICLE QTY.
1	66865-002L	Air Spring	2			Upper Steering Knuckle Assembly, Includes Key Nos. 39-40, 42-43	
	34013-310	Air Spring Fasteners Service Kit, One Side, Includes Key Nos. 2-5		35	60903-455	Left Hand	1
2		*3/4" Upper Flat Washer	2	36	60904-402	Right Hand	1
3		*3/4"-16 UNF Upper Nylocknut	2			Lower Steering Knuckle Assembly, Includes Key Nos. 41-43, 53-54	
4		*1/2" Lower Hardened Washer	2	37	58900-495	Left Hand	1
5		*1/2"-13 UNC Lower Nylocknut	2	38	58900-496	Right Hand	1
	59013-001	Height Control Valve Service Kit, One Side, Includes Key Nos. 6-8				Kingpin Bushing and Bearing Service Kits, Axle Set, Includes Kit Nos. 60961-629 & -630	
6		*Height Control Valve	2	60961-628		Left Hand with Composite Thrust Bearing	
7		*1/4" Hardened Washer	4	60961-629		Includes Key Nos. 39-44, 46, Loctite	
8		*1/4"-20 UNC Locknut	4	60961-630		Right Hand with Roller Thrust Bearing Includes Key Nos. 39-43, 45-46, Loctite	
9	66825-002	HCV Linkage Assembly, One Side, Includes Key Nos. 10-14	2	39	33117-000	Grease Zerk	2
10		*Linkage Assembly	2	40	68687-003	Upper Grease Cap Assembly	2
11		*5/16"-18 UNC Stud	4	41	68687-002	Lower Grease Cap Assembly	2
12		*5/16"-18 UNC Locknut	4	42	58909-001	Kingpin Bushing	4
13		*5/16" Hardened Washer	4			Thrust Bearing Service Kits, Axle Set, Includes Kit Nos. 60961-632 & -633	
14		*5/16"-18 UNC Nut	4	60961-631		Left Hand Composite Thrust Bearing, Includes Key Nos. 43-44, 46 & Loctite	
15	58913-011L	Shock Absorber	2	60961-632		Right Foster Roller Thrust Bearing, Includes Key Nos. 43, 45-46 & Loctite	
16	67463-002	Shock Absorber Bracket	2	43	68731-000	Kingpin Seal	4
17	59946-006	Shock Absorber Spacer	2	44	59828-000	Left Hand Composite Thrust Bearing	1
18	50764-019	3/4"-10 UNC x 4 1/2" Bolt	2	45	64256-000	Right Hand Roller Thrust Bearing	1
19	58917-003	3/4"-10 UNC x 5 1/2" Bolt	2	46	60236-001	5/8" Socket Head Cap Screw	4
20	22962-001	3/4" Flat Washer	6	Not Shown	60937-000	Loctite® (Red) Compound Tube	1
21	49842-000	3/4"-10 UNC Locknut	4	47	76879-001	Tie Rod Assembly, Includes Key Nos. 48-50	1
22	53487-000	Leaf Spring Assembly with Bushings	2			Tie Rod End Service Kits, Axle Set, Includes Kits Nos. 60961-742 & -743	
23	58258-018	M20 x 2.5 x 180 mm Bolt	2	60961-735		Left Hand, Includes Key Nos. 48, 51-52	
24	58246-004	M20 Washer	4	60961-742		Right Hand, Includes Key Nos. 49, 51-52	
25	58259-000	M20 x 2.5 Locknut	2	60961-743		Tie Rod End, Includes Key No. 50	
26	64314-000	Shackle Plate	4	48	76876-001	Left Hand	1
27	58258-008	M20 x 2.5 x 160 mm Bolt	4	49	76876-002	Right Hand	1
28	58246-004	M20 Washer	8	50		*7/8" Castle Nut	2
29	58259-000	M20 x 2.5 Locknut	4	51	22962-007	7/8" Flat Washer	2
30		Top Pad		52	17800-004	Tie Rod Nut Cotter Pin	2
	66814-001	Left Hand	1	60961-069		Stop Bolt Service Kit, One Side, Includes Key Nos. 53-54	
	66814-002	Right Hand	1	53		*1/2"-13 UNC Square Head Bolt	2
	34013-297	Top Pad Fasteners Service Kit, One Side, Includes Key Nos. 31-33		54		*1/2"-13 UNC Hex Jam Nut	2
31		*3/4"-16 UNF x 5" Bolt	8				
32		*3/4" Flat Washer	8				
33		*3/4"-16 UNF Nylocknut	8				
	80374-001	Axle Assembly, Includes Key Nos. 34-54	1				
34	68986-002M	STEERTEK NXT Axle & Kingpin Assembly	1				

NOTE: * Item included in kit/assembly only, part not sold separately.

■ Special Tool

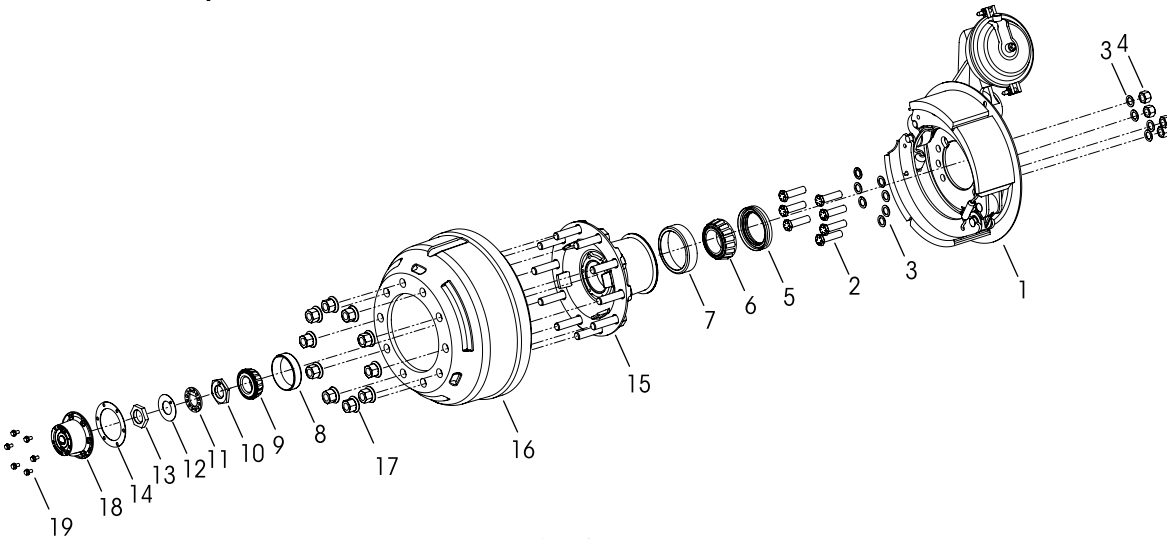
KINGPIN BUSHING TOOL – ADJUSTABLE STRAIGHT FLUTE REAMER

The dimension of cutting diameter must facilitate a range of **1.802"-1.812"**





Drum Brake Assembly



KEY NO.	PART NO.	DESCRIPTION	VEHICLE QTY.	KEY NO.	PART NO.	DESCRIPTION	VEHICLE QTY.
1		*Meritor Drum Brake Assembly, Ø 16.5" x 5" Left Hand Part No. QP4-1655-1599 Right Hand Part No. QP4-1655-1600	1 1	10		*Meritor 1 1/2"-12 UNF Inner Wheel Bearing Adj. Nut Part No. 1227-U-541	2
2	80135-002	3/4"-10 UNC x 2 3/4" Hex Bolt	14	11		*Meritor 3/16" Wheel End Lock Ring Part No. 1229-G-475	2
3	22962-012	3/4" Hardened Washer	22	12		*Meritor 0.05" Wheel End Lock Washer Part No. 1229-F-474	2
4	49842-000	3/4"-10 UNC Locknut	8	13		*Meritor Wheel End Outer Nut No. 1227-B-106	2
5		*Federal Mogul Wheel Seal Kit No. M380001TX0	2	14		*Stemco Hubcap Gasket Part No. 330-3024	2
		*Timken Inner Bearing One side, Set No. 413, Includes Key Nos. 6-7		15		*Webb Hub Part No. 25201-3T	2
6		Inner Bearing Cone	2	16		*Webb Drum Part No. 65163B	2
7		Inner Bearing Cup	2	17		*Webb M22 x 1.5 Lug Nut Part No. 179935	20
		*Timken Outer Bearing One Side Set No. 406, Includes Key Nos. 8-9		18		*Stemco Hubcap Assembly - 6", Kit No. 343-4346	2
8		Outer Bearing Cup	2	19	64545-002	5/16"-18 UNC x 3/4" Hex Bolt with Retainer Washer (Hubcap Bolts)	12
9		Outer Bearing Cone	2				

NOTES: * Not supplied by Hendrickson for aftermarket service purposes. Description and part number listed for reference only. For more information and assistance with service, maintenance and rebuild instructions on these components see below component manufacturers:

- Federal Mogul technical and parts support 800.325.8886 or online at www.fme-cat.com
- Meritor technical and parts support 888.725.9355 or online, parts (www.meritorpartsexpress.com), technical support (www.meritorbullpen.com)
- Stemco technical and part support 800.527.8492 or online at www.stemco.com
- Timken at technical and part support 866.984.6536 or online at www.timken.com/resources or Timken YouTube series, Timken Tricks of the Trade (Installing a Timken® Set-Right® Bearing)
- Webb technical and part support 800.633.3256 or online at www.webbwheel.com

This is a general parts list to provide directional information. Components may vary by model. Questions in regards to parts, contact Hendrickson Truck Parts at 1.866.755.5968 (Toll-free U.S. and Canada), 630.910.2800 (Outside U.S. and Canada) or e-mail: truckparts@hendrickson-intl.com.

www.hendrickson-intl.com



Truck Commercial Vehicle Systems
800 South Frontage Road
Woodridge, IL 60517-4904 USA

1.866.755.5968 (Toll-free U.S. and Canada)
1.630.910.2800 (Outside U.S. and Canada)
Fax 1.630.910.2899

"HENDRICKSON", the "H" logo and other Hendrickson marks designated with the "®" symbol are registered trademarks of Hendrickson USA, L.L.C. in the United States and certain other countries.

Information contained in this literature was accurate at the time of publication. Product changes may have been made after the copyright date that are not reflected.
© 2017-2018 Hendrickson USA, L.L.C. All Rights Reserved