

# **H** PARTS LIST

## ROADMAAX™ Rear Air Suspension for Rosenbauer Fire and Rescue Vehicles

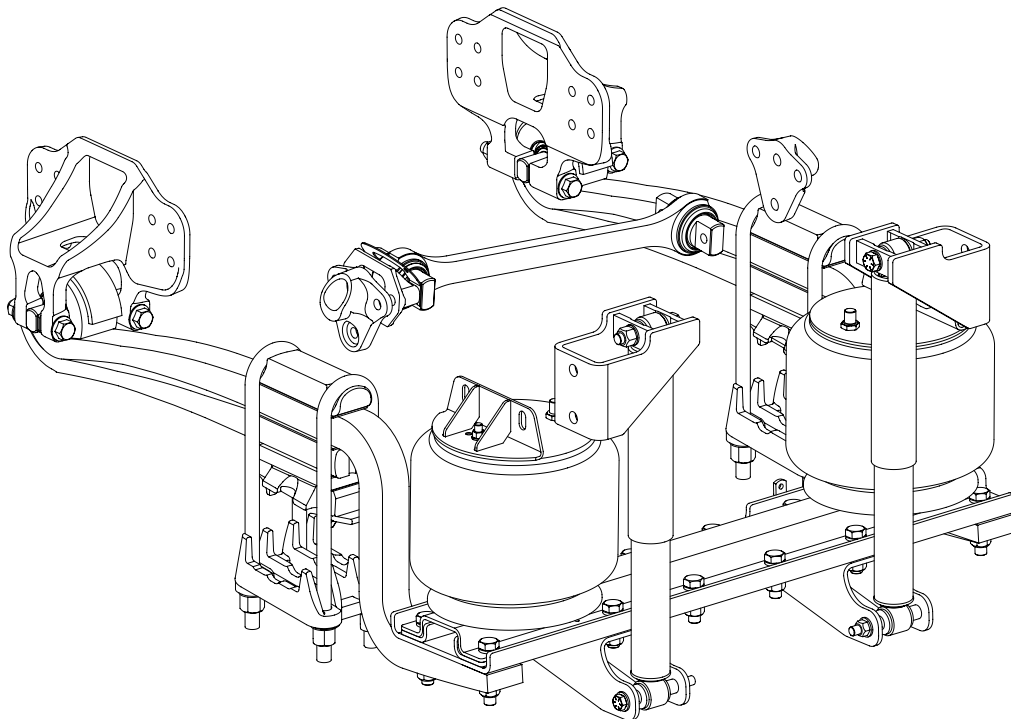
LIT NO: SP-322

DATE: February 2019

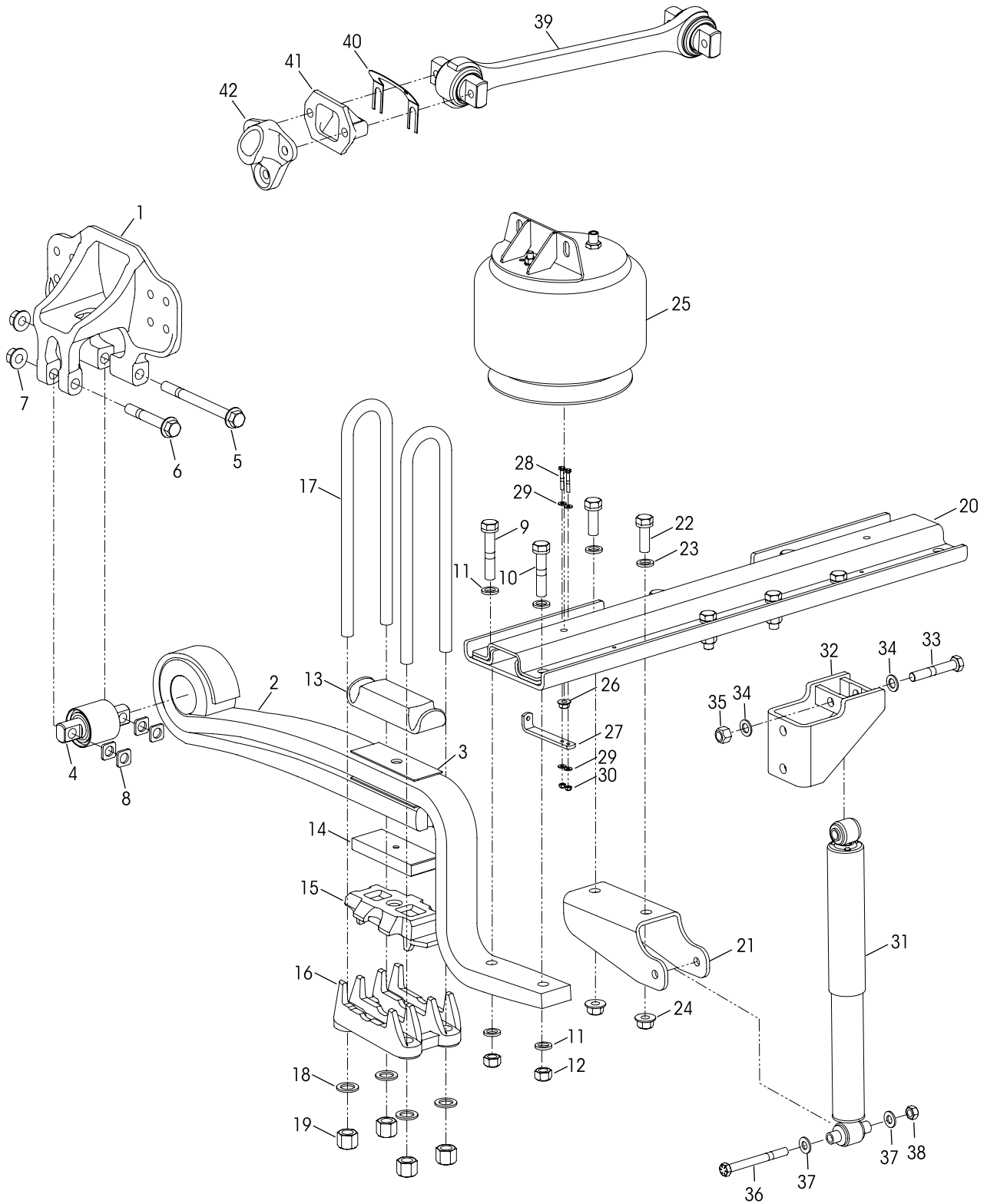
REVISION: A

### CONTENTS

DESCRIPTION	PAGE
Parts List . . . . .	2



10½" Ride Height





KEY NO.	PART NO.	DESCRIPTION	VEHICLE QTY.	KEY NO.	PART NO.	DESCRIPTION	VEHICLE QTY.
1	78101-204	Frame Hanger	2	21	91046-200	Lower Shock Bracket	2
2	82434-000	Main Support Member 2-Leaf Assembly Includes Key Nos. 3-4	2	22	58258-014	M20 x 2.5-6G x 65 mm Hex Bolt	8
3		*Galvanized Steel Liner	2	23	58246-007	M20 Hardened Washer	8
	34013-318	<b>Spring Eye Bushing Service Kit, One Side</b> Includes Key Nos. 4-8 and 43	2	24	69431-001	M20 x 2.5-6H Flange Locknut	8
4		*Spring Eye Bar Pin Bushing	2	25	80893-104	Air Spring Assembly, Includes Upper Bracket and Fasteners	2
5	67749-220	M20 x 1.5-6G x 220 mm Flange Bolt	2		49177-054	<b>Air Spring Fastener Service Kit, Axle Set</b> Includes Key Nos. 26	
6	67749-130	M20 x 1.5-6G x 130 mm Flange Bolt	2	26		*M12 x 1.75 Flange Locknut	2
7	67745-000	M20 x 1.5 CL 10 Flange Nut	4	27	65090-000	HCV Linkage Lower Bracket	2
8	78326-000	Bar Pin Shim - 3/16" Gray	8		58525-060	<b>HCV Lower Bracket Service Kit, One Side</b> Includes Key Nos. 28-30	
	78326-020	<b>Bar Pin Shim Service Kit, Includes Twenty of</b> 3/32" Yellow Shims (not shown)		28		*1/4"-20 UNC-2A x 1 3/4" Bolt	4
9	58258-110	M20 x 2.5-6G x 110 mm Hex Bolt	2	29		*1/4" Hardened Washer	8
10	58258-100	M20 x 2.5-6G x 100 mm Hex Bolt	2	30		*1/4"-20 UNC Locknut	4
11	58246-007	M20 Hardened Washer	8	31	70807-007L	Shock Absorber	2
12	58259-001	M20 x 2.5-6H Locknut	4	32	91001-000	Upper Shock Mount Bracket, Inboard	2
13	80456-000	Top Pad	2	33	58917-022	3/4"-10 UNC x 4 1/2" Upper Shock Hex Bolt	2
14	48531-015	Spring Seat Spacer - 1" Thick	2	34	22962-001	3/4" Flat Washer	4
15		Spring Seat - 4.5° Pinion Angle		35	49842-000	3/4"-10 UNC Locknut	2
	91175-046P	Left Hand	1	36	32043-017	5/8"-11 UNC x 6" Lower Shock Hex Bolt	2
	91175-045P	Right Hand	1	37	22962-004	5/8" Flat Washer	4
16		Bottom Cap - 4.5° Pinion Angle		38	47764-000	5/8"-11 UNC Locknut	2
	80846-045	Left Hand	1	39	7527-0101-630	Transverse TRAAX ROD™ Severe-duty, 5° Bar Pin Bushing Angle	1
	80847-045	Right Hand	1	40	49689-000L	Torque Rod Shim 1.52 mm	As Req.
17	58185-475	M24 x 2-6G x 475 mm U-bolt	4	41	22186-000	Torque Rod Frame Bracket	1
18	22962-008	1" Hardened Washer	8	42	80777-000	Axle Stop	2
19	70653-001	M24 x 2 Torque Hex Nut	8	43	60937-000	Loctite (Red) Compound Tube (Not Shown)	1
20	80891-001	Cross Channel Assembly with L Spacer, 41 5/8" - Inboard, 35" Frame Width, Includes Key Nos. 21-24	1				

**NOTE:** \* Item included in assembly or service kit only, part not sold separately.

This is a general parts list to provide directional information. Components may vary by model. Questions in regards to parts, contact Hendrickson Truck Parts at 1.866.755.5968 (Toll-free U.S. and Canada), 630.910.2800 (Outside U.S. and Canada) or e-mail: [truckparts@hendrickson-intl.com](mailto:truckparts@hendrickson-intl.com).

*Call your truck dealer or Hendrickson at **1.866.755.5968** (toll-free) or **1.630.910.2800** for additional information.*



[www.hendrickson-intl.com](http://www.hendrickson-intl.com)

SP-322 Rev A 02-19

© 2019 Hendrickson USA, L.L.C. All Rights Reserved. All trademarks shown are owned by Hendrickson USA, L.L.C., or one of the affiliates, in one or more countries. Information contained in this literature was accurate at the time of publication. Product changes may have been made after the copyright date that are not reflected.

**TRUCK COMMERCIAL VEHICLE SYSTEMS**

800 South Frontage Road  
Woodridge, IL 60517-4904 USA  
1.866.755.5968 (Toll-free U.S. and Canada)  
1.630.910.2800 (Outside U.S. and Canada)  
Fax 1.630.910.2899

Printed in United States of America