

H PARTS LIST

ROADMAAX™ 35K Rear Air Suspension for E-One Fire and Rescue Vehicles

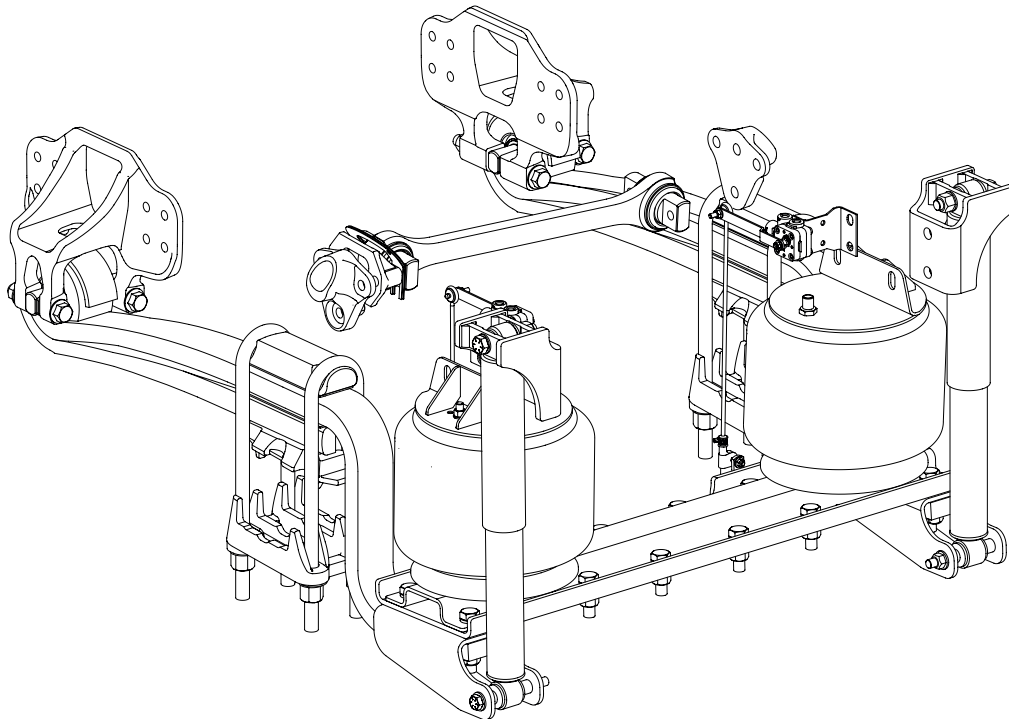
LIT NO: SP-194

DATE: July 2019

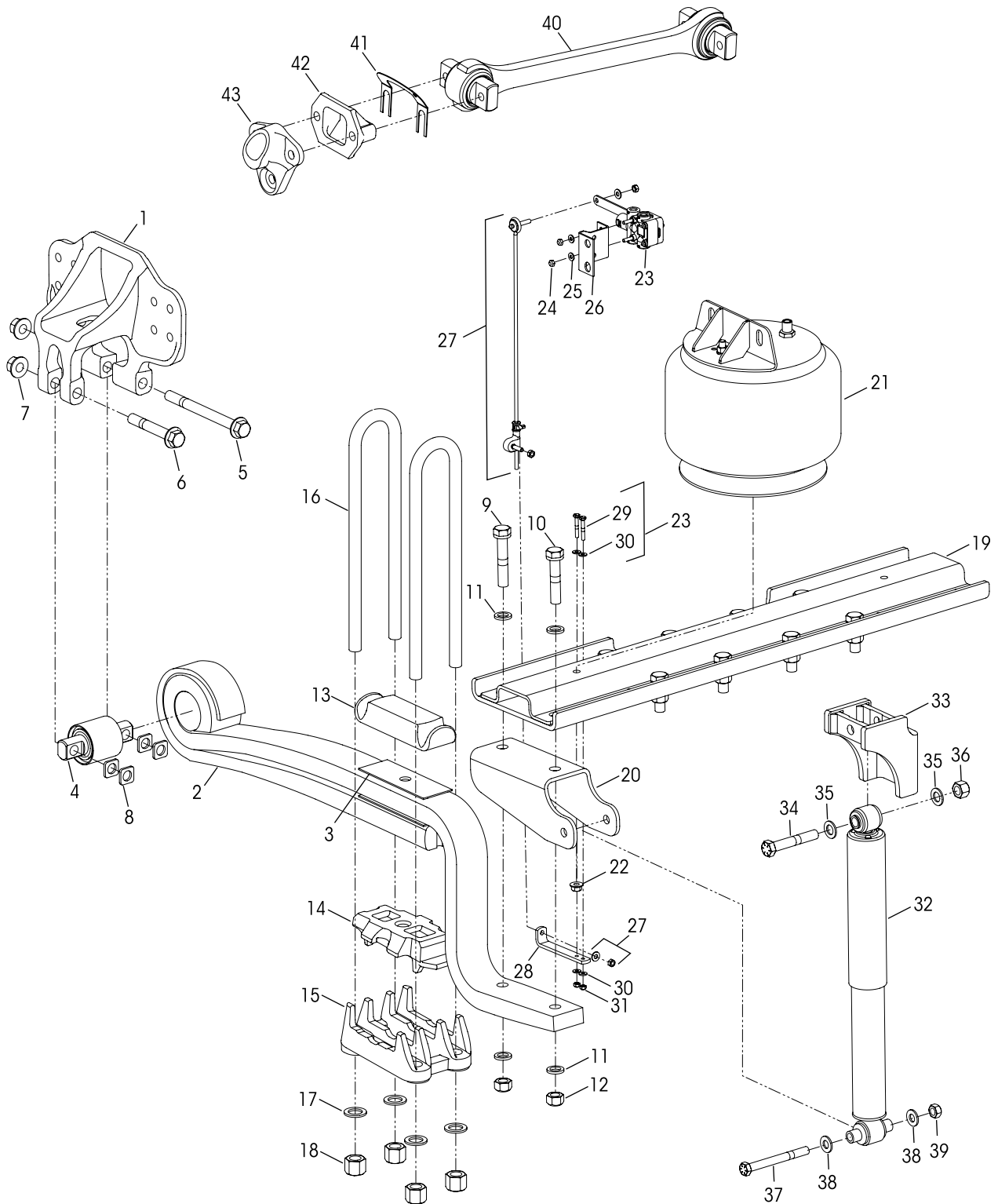
REVISION: A

CONTENTS

DESCRIPTION	PAGE
Parts List	2



9½" Ride Height





KEY NO.	PART NO.	DESCRIPTION	VEHICLE QTY.	KEY NO.	PART NO.	DESCRIPTION	VEHICLE QTY.
1	78101-204	Frame Hanger	2	22		*M12 x 1.75 Flange Locknut	2
2	82434-000	Main Support Member 2-Leaf Assembly, Includes Key No. 3-4	2			Height Control Valve and Linkage Assembly	
3		*Galvanized Steel Liner	2	91334-001		Left Hand, Includes Key Nos. 23-26, 27a	1
	34013-318	Spring Eye Bushing Service Kit, One Side Includes Key Nos. 4-8 and 44	2	91334-002		Right Hand , Includes Key Nos. 23-26, 27b	1
4		*Spring Eye Bar Pin Bushing	2	23	60501-000L	Height Control Valve, Includes Key Nos. 24-25	2
5	67749-220	M20 x 1.5-6G x 220 mm Flange Bolt	2	24		*3/4"-20 UNC Hex Nut	4
6	67749-130	M20 x 1.5-6G x 130 mm Flange Bolt	2	25		*1/4" Flat Washer	4
7	67745-000	M20 x 1.5 CL10 Flange Nut	4	26	57975-001	HCV Upper Mounting Bracket	2
8	78326-000	Bar Pin Shim - 3/16" Gray	8	27		HCV Linkage Assembly	2
	78326-020	Bar Pin Shim Service Kit, Includes Twenty of 3/32" Yellow Shims (not shown)	2	a	58994-063	18 3/8" Length	
9	58258-110	M20 x 2.5-6G x 110 mm Hex Bolt	2	b	58994-064	18 3/8" Length	
10	58258-100	M20 x 2.5-6G x 100 mm Hex Bolt	2	28	65090-000	HCV Linkage Lower Bracket	2
11	58246-007	M20 Hardened Washer	8		58525-060	HCV Lower Bracket Service Kit, One Side Includes Key Nos. 29-31	
12	58259-001	M20 x 2.5-6H Locknut	4	29		*3/4"-20 UNC-2A x 1 3/4" Bolt	4
13	80456-000	Top Pad	2	30		*1/4" Hardened Washer	8
14		Spring Seat - 4° Pinion Angle		31		*3/4"-20 UNC Locknut	4
	91175-141P	Left Hand	1	32	70807-007L	Shock Absorber	2
	91175-040P	Right Hand	1	33	91136-000	Upper Shock Mount Bracket, Outboard	2
15		Bottom Cap - 4° Pinion Angle			34013-326	Single Shock Absorber Fastener Service Kit, Includes Key Nos. 34-39	
	80846-140	Left Hand	1	34	58917-022	3/4"-10 UNC x 4 1/2" Upper Shock Hex Bolt	2
	80847-140	Right Hand	1	35	22962-001	3/4" Flat Washer	4
16	58185-475	M24 x 2-6G x 475 mm U-bolt	4	36	49842-000	3/4"-10 UNC Locknut	2
17	22962-008	1" Hardened Washer	8	37	32043-017	5/8"-11 UNC x 6" Lower Shock Hex Bolt	2
18	70653-001	M24 x 2 Torque Hex Nut	8	38	22962-004	5/8" Flat Washer	4
19	80891-002	Cross Channel Assembly, 40 7/8" - Outboard 34 1/4" Frame Width	1	39	47764-000	5/8"-11 UNC Locknut	2
20	91046-200	Lower Shock Bracket	2	40	7530-0101-615	Transverse TRAAX ROD™ Severe-duty, 5° Bar Pin Bushing Angle	1
21	80893-104	Air Spring Assembly, Includes Upper Bracket and Fasteners	2	41	49689-000L	Torque Rod Shim 1.52 mm	As Req.
	49177-054	Air Spring Fastener Service Kit, One Side Includes Key Nos. 22	1	42	22186-000	Torque Rod Frame Bracket	1
				43	80777-000	Axle Stop	2
				44	60937-000	Loctite (Red) Compound Tube (Not Shown)	1

NOTES: * Item included in assembly or service kit only, part not sold separately.

This is a general parts list to provide directional information. Components may vary by model. Questions in regards to parts, contact Hendrickson Truck Parts at 1.866.755.5968 (Toll-free U.S. and Canada), 630.910.2800 (Outside U.S. and Canada) or e-mail: truckparts@hendrickson-intl.com.

*Call Hendrickson at **1.866.755.5968** (toll-free) or **1.630.910.2800** for additional information.*



www.hendrickson-intl.com

SP-194 Rev A 07-19

TRUCK COMMERCIAL VEHICLE SYSTEMS
800 South Frontage Road
Woodridge, IL 60517-4904 USA
1.866.755.5968 (Toll-free U.S. and Canada)
1.630.910.2800 (Outside U.S. and Canada)
Fax 1.630.910.2899

© 2019 Hendrickson USA, L.L.C. All Rights Reserved. All trademarks shown are owned by Hendrickson USA, L.L.C., or one of the affiliates, in one or more countries.
Information contained in this literature was accurate at the time of publication. Product changes may have been made after the copyright date that are not reflected.

Printed in United States of America