



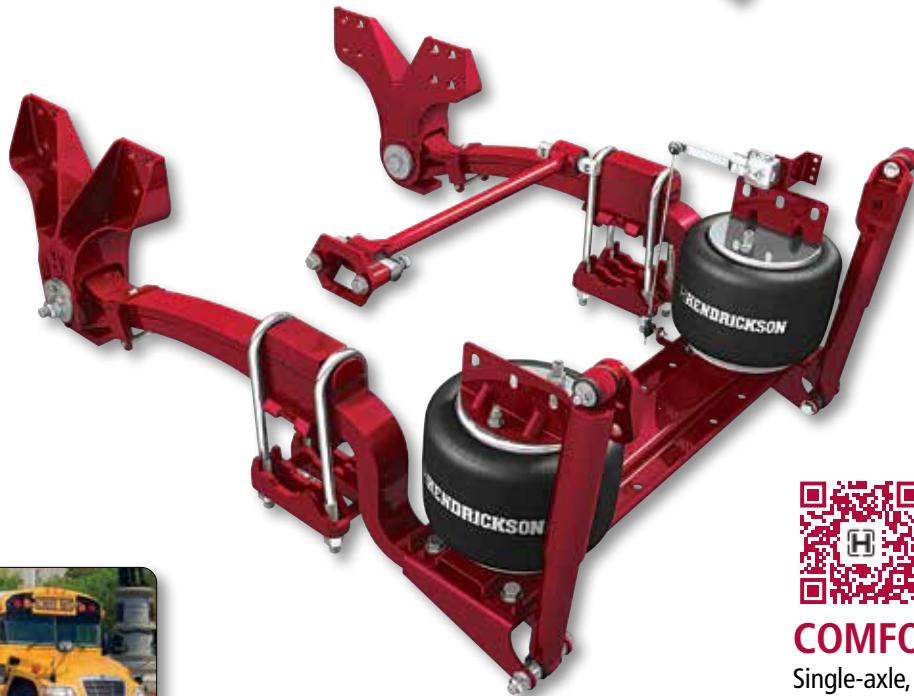
Bus Ride Solutions

Hendrickson and Blue Bird partner to deliver the industry's first full air platform for a conventional chassis



AIRTEK®

Integrated front air suspension and steer axle system designed for comfort and improved performance



COMFORT AIR®

Single-axle, rear air suspension designed for passenger and driver comfort



To learn more about AIRTEK/ COMFORT AIR, call 855.743.3733 or visit www.hendrickson-intl.com

AIRTEK® for Blue Bird

Capacities of 10,000 lbs. (Blue Bird Vision) and 14,600 lbs. (Blue Bird All American)

Outstanding Stability

- Box-shaped cross-section is more rigid than traditional I-beam axles

Weight Savings

- The unique design of the STEERTEK axle contributes to a lightweight design

Superb Ride

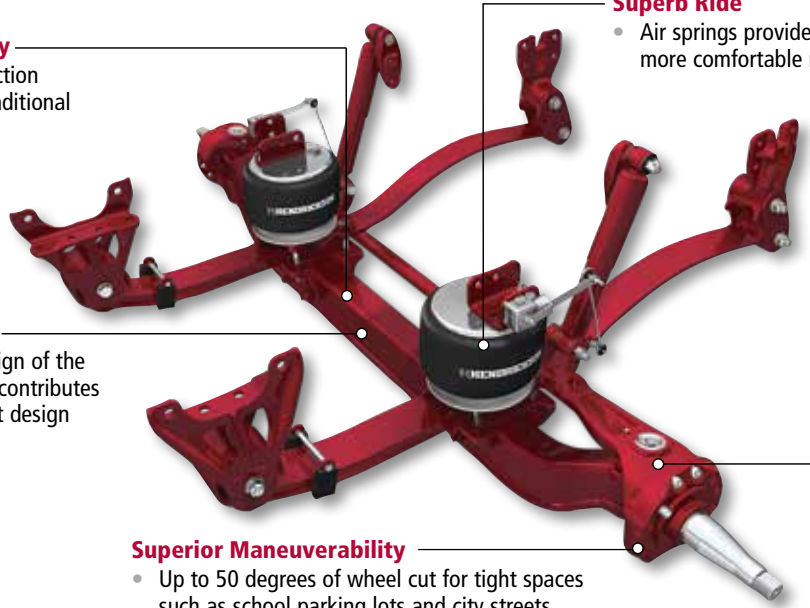
- Air springs provide a softer, more comfortable ride

Reduced Maintenance

- Unique two-piece knuckle design eliminates the need to remove the kingpin to service the knuckle

Superior Maneuverability

- Up to 50 degrees of wheel cut for tight spaces such as school parking lots and city streets



COMFORT AIR® for Blue Bird

Capacities of 21,000 and 23,000 lbs. (Blue Bird Vision and All American)

Export only capacity 26,000 lbs.

Exceptional Stability and Handling

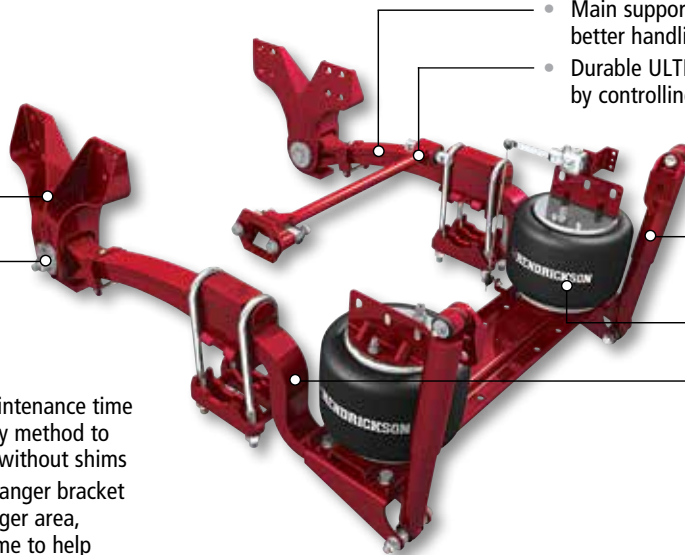
- Main support member provides neutral roll steer for better handling
- Durable ULTRA ROD® enhances handling during cornering by controlling lateral forces to maintain axle position

Superb Ride

- Shock absorbers are tuned for optimum damping characteristics to provide exceptional driving comfort
- Air springs adjust to changing load conditions to deliver superb ride quality
- Extended-length main support member generates lower spring rate for optimized roll stiffness, providing a more comfortable and compliant ride

Reduced Maintenance

- QUIK-ALIGN® reduces maintenance time by offering a fast and easy method to adjust and set alignment without shims
- Wide footprint of frame hanger bracket distributes load over a larger area, reducing stress to the frame to help increase the life of the vehicle



Actual product performance may vary depending upon vehicle configuration, operation, service and other factors.

All applications must comply with applicable Hendrickson specifications and must be approved by the respective vehicle manufacturer with the vehicle in its original, as-built configuration. Contact Hendrickson for additional details regarding specifications, applications, capacities, and operation, service and maintenance instructions.

Call Hendrickson at **630.910.2800** or **855.RIDERED (743.3733)** for additional information.



www.hendrickson-intl.com

TRUCK COMMERCIAL VEHICLE SYSTEMS

800 South Frontage Road
Woodridge, IL 60517-4904 USA
855.RIDERED (743.3733)
630.910.2800 • Fax 630.910.2899



BLUE BIRD
www.blue-bird.com

45745-212 Rev D 05-20

© 2003 - 2020 Hendrickson USA, L.L.C. All Rights Reserved. All trademarks shown are owned by Hendrickson USA, L.L.C., or one of its affiliates, in one or more countries. Information contained in this literature was accurate at the time of publication. Product changes may have been made after the copyright date that are not reflected.

Printed in United States of America