

PARTS LIST **SURELOK®**

LIT NO: L1055

DATE: October 2020

REVISION: G

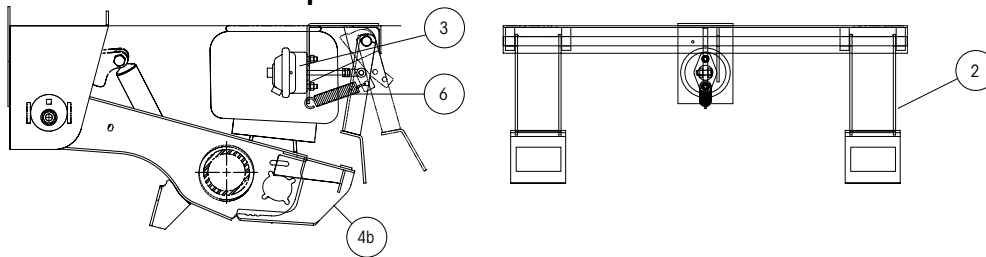


TABLE OF CONTENTS

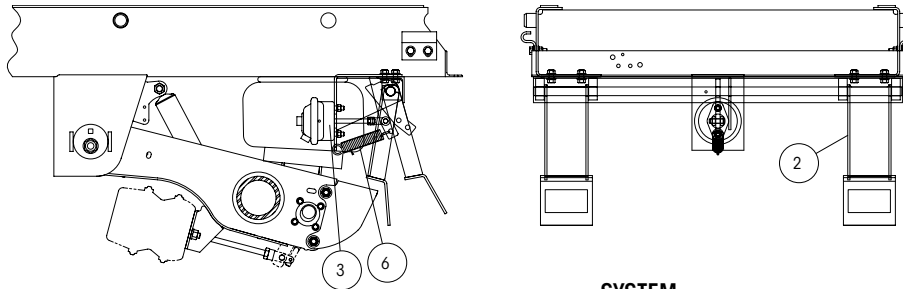
INTRAAAX® AAT 23K/25K AND AANT 23K SUSPENSIONS	2
ULTRAA-K® UTKNT 40K SLIDER SUSPENSION	3
VANTRAAAX® HKANT 40K/46K AND HKA180 SLIDER SUSPENSIONS	4
VANTRAAAX HKAT 46K SLIDER SUSPENSION	6
HK™ SERIES HK190/230 SLIDER SUSPENSIONS	8
HT™ SERIES HT190/230 TOP-MOUNT SUSPENSIONS	10
HT SERIES HT250US UNDERSLUNG SUSPENSION	11
HS SERIES HS190/230 SLIDER SUSPENSIONS	12
SURELOK® AIR CONTROL KITS	13



INTRAAX® AANT 23K Suspension



INTRAAX AAT 23K/25K Suspensions



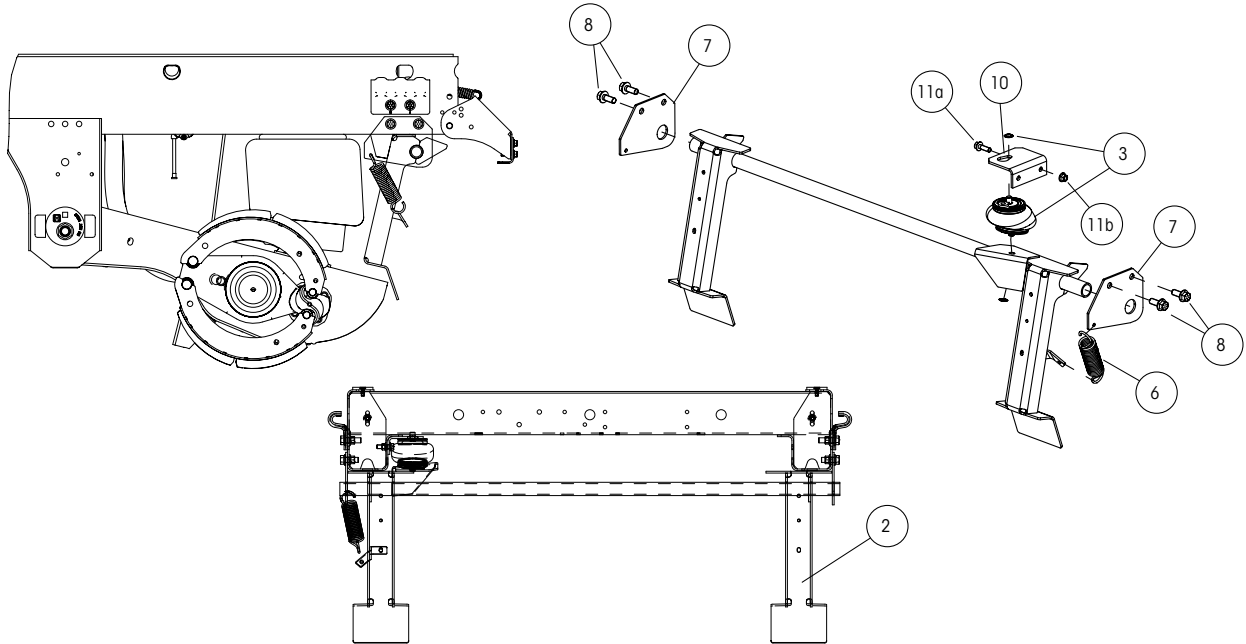
Note: Picture does not depict all models available. Please contact Hendrickson for retrofit kits. SURELOK models with identification tag will read SLK_XXX.

ITEM	DESCRIPTION	PART NO.	SYSTEM QTY.	NOTE																																						
1	SURELOK® RETROFIT KIT¹ (Not shown)	SLK_XXX	1	Please contact Hendrickson for assistance																																						
	<table border="1"> <thead> <tr> <th>SURELOK SERIES</th> <th>SUSPENSION MODEL</th> </tr> </thead> <tbody> <tr> <td>SLKF</td> <td>AAT Models</td> </tr> <tr> <td>SLKV</td> <td>AAT Models with High Control</td> </tr> <tr> <td>SLKT</td> <td>AANT Models</td> </tr> <tr> <td>SLKY</td> <td>AANT Models with Long Beams</td> </tr> </tbody> </table>	SURELOK SERIES	SUSPENSION MODEL	SLKF	AAT Models	SLKV	AAT Models with High Control	SLKT	AANT Models	SLKY	AANT Models with Long Beams																															
SURELOK SERIES	SUSPENSION MODEL																																									
SLKF	AAT Models																																									
SLKV	AAT Models with High Control																																									
SLKT	AANT Models																																									
SLKY	AANT Models with Long Beams																																									
2	RIDE HEIGHT LOCK ASSEMBLY																																									
	<table border="1"> <thead> <tr> <th>Axle Track</th> <th>71.5"</th> <th>77.5"</th> </tr> </thead> <tbody> <tr> <td colspan="3" style="text-align:center">AIR SPRING ACTUATED (SLKT with High Control)</td> </tr> <tr> <td>14.0" ride height</td> <td style="text-align:center">-</td> <td>S-36186-21</td> </tr> <tr> <td colspan="3" style="text-align:center">BRAKE CHAMBER ACTUATED (SLKF, SLKV AND SLKT)</td> </tr> <tr> <td>13.5" ride height</td> <td>S-22487-1</td> <td>S-22487-5</td> </tr> <tr> <td>14.0" ride height</td> <td>S-22487-2</td> <td>S-22487-6</td> </tr> <tr> <td>14.5" ride height</td> <td>S-22487-3</td> <td>S-22487-7</td> </tr> <tr> <td>15.0" ride height</td> <td>S-22487-4</td> <td>S-22487-8</td> </tr> <tr> <td>16.0" ride height</td> <td>S-22487-9</td> <td>S-22487-13</td> </tr> <tr> <td>16.5" ride height</td> <td>S-22487-17</td> <td>S-22487-18</td> </tr> <tr> <td>17.0" ride height</td> <td>S-22487-11</td> <td>S-22487-14</td> </tr> <tr> <td>18.0" ride height</td> <td>S-22487-11</td> <td>S-22487-15</td> </tr> <tr> <td>19.0" ride height</td> <td>S-22487-12</td> <td>S-22487-16</td> </tr> </tbody> </table>	Axle Track	71.5"	77.5"	AIR SPRING ACTUATED (SLKT with High Control)			14.0" ride height	-	S-36186-21	BRAKE CHAMBER ACTUATED (SLKF, SLKV AND SLKT)			13.5" ride height	S-22487-1	S-22487-5	14.0" ride height	S-22487-2	S-22487-6	14.5" ride height	S-22487-3	S-22487-7	15.0" ride height	S-22487-4	S-22487-8	16.0" ride height	S-22487-9	S-22487-13	16.5" ride height	S-22487-17	S-22487-18	17.0" ride height	S-22487-11	S-22487-14	18.0" ride height	S-22487-11	S-22487-15	19.0" ride height	S-22487-12	S-22487-16		
Axle Track	71.5"	77.5"																																								
AIR SPRING ACTUATED (SLKT with High Control)																																										
14.0" ride height	-	S-36186-21																																								
BRAKE CHAMBER ACTUATED (SLKF, SLKV AND SLKT)																																										
13.5" ride height	S-22487-1	S-22487-5																																								
14.0" ride height	S-22487-2	S-22487-6																																								
14.5" ride height	S-22487-3	S-22487-7																																								
15.0" ride height	S-22487-4	S-22487-8																																								
16.0" ride height	S-22487-9	S-22487-13																																								
16.5" ride height	S-22487-17	S-22487-18																																								
17.0" ride height	S-22487-11	S-22487-14																																								
18.0" ride height	S-22487-11	S-22487-15																																								
19.0" ride height	S-22487-12	S-22487-16																																								
3	BRAKE CHAMBER	A-21452		Type 9 Chamber																																						
4	BEAM EXTENSION (Not shown)																																									
	4a Bolt-on AAT			SLKF, SLKV models; Includes beam extension and bolt kit																																						
	Roadside	S-33016-1	1																																							
	Curbside	S-33016-2	1																																							
	4b Weld-on AANT			SLKT models; Includes beam extension																																						
	Roadside	D-27653-1	1																																							
	Curbside	D-27653-2	1																																							
5	BEAM EXTENSION HARDWARE (Not shown)																																									
	BEAM EXTENSION BOLT KIT (Not shown)	S-25980		Includes SA-6900-16 & SA-7000-6																																						
	5/8" - 11" flanged screw	SA-6900-16	8																																							
	5/8" - 11" prevailing torque flanged nut	SA-7000-6	8																																							
6	SPRING	S-21539	1	1.25" x 6.125" X 0.177"																																						

1. Many SURELOK Retrofit kit options exist based on suspension model, ride height, slider width and valve selection. Contact Hendrickson for assistance.



ULTRAA-K® UTKNT 40K Slider Suspension

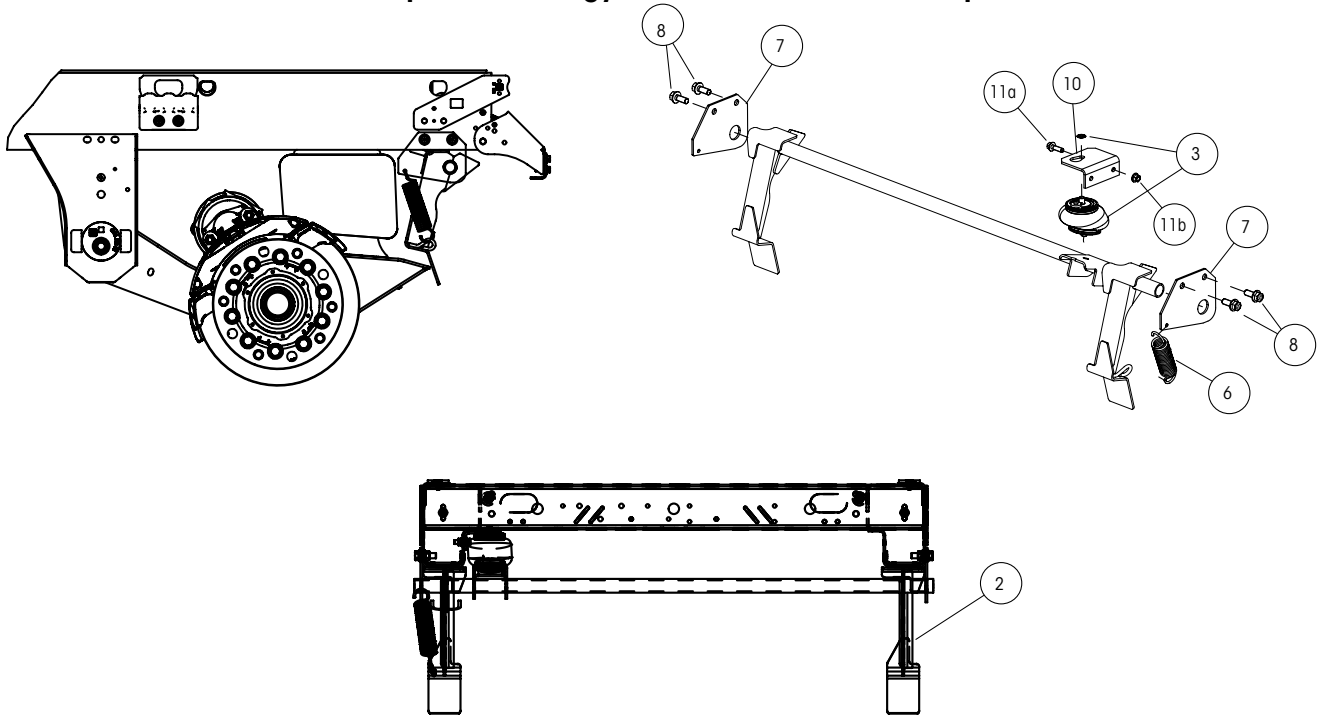


ITEM	DESCRIPTION	PART NO.	SYSTEM QTY.	NOTE
1	SURELOK® RETROFIT KIT ¹ (Not shown)	SLK_XXX		Please contact Hendrickson for assistance
	SURELOK SERIES	SUSPENSION MODEL		
	SLKAA	Narrow pivot ULTRAA-K® with short beams		
	SLKAB	Narrow pivot ULTRAA-K with long beams		
2	RIDE HEIGHT LOCK ASSEMBLY			
	Slider Box Width	48" Box		
	AIR SPRING ACTUATED (SLKAA)			
	16.0" ride height	S-31763-1C		
3	AIR SPRING ACTUATOR ASSEMBLY	S-25593	1	Includes air spring actuator and 2 speed nuts
4	BEAM EXTENSION WELDMENTS (Not shown)			SLKAA models
	Roadside	D-27653-1	1	
	Curbside	D-27653-2	1	
5	RESTRAINT BOLT KIT	S-25516	1	Includes 1 bolt, 1 nut and 1 washer
6	SPRING	B-26597	1	1.50" x 6.63" x 0.177"
7	SHAFT BRACKET	C-31767	2	2 per bracket
8	MOUNTING HARDWARE FOR BRACKET	SA-6900-10	4	2 per bracket; 1/2"-13" flanged screw
9	SPEED NUT (Not shown)	A-24482-1	2	Included in S-25593
10	ACTUATOR BRACKET	C-31765	1	
11	ACTUATOR BRACKET HARDWARE²			
	11a 3/8" - 16" Flanged screws	SA-6900-5	1	
	11b 3/8" - 16" Flanged nut	SA-7000-3	1	

2. Install rear bolt nut only.



ULTRAA-K® with Chamber Up™ technology UTKNU 40K Slider Suspension



ITEM	DESCRIPTION	PART NO.	SYSTEM QTY.	NOTE						
1	SURELOK® RETROFIT KIT ¹ (Not shown)	SLK_XXX		Please contact Hendrickson for assistance						
	<table border="1"> <thead> <tr> <th>SURELOK SERIES</th> <th>SUSPENSION MODEL</th> </tr> </thead> <tbody> <tr> <td>SLKAD</td> <td>Narrow pivot ULTRAA-K with Chamber Up technology and long beams</td> </tr> </tbody> </table>	SURELOK SERIES	SUSPENSION MODEL	SLKAD	Narrow pivot ULTRAA-K with Chamber Up technology and long beams					
SURELOK SERIES	SUSPENSION MODEL									
SLKAD	Narrow pivot ULTRAA-K with Chamber Up technology and long beams									
2	RIDE HEIGHT LOCK ASSEMBLY									
	<table border="1"> <thead> <tr> <th>Slider Box Width</th> <th>48" Box</th> </tr> </thead> <tbody> <tr> <td colspan="2" style="text-align: center;">AIR SPRING ACTUATED (SLKAA)</td> </tr> <tr> <td>16.0" ride height</td> <td>S-38382-1C</td> </tr> </tbody> </table>	Slider Box Width	48" Box	AIR SPRING ACTUATED (SLKAA)		16.0" ride height	S-38382-1C			
Slider Box Width	48" Box									
AIR SPRING ACTUATED (SLKAA)										
16.0" ride height	S-38382-1C									
3	AIR SPRING ACTUATOR ASSEMBLY	S-25593	1	Includes air spring actuator and 2 speed nuts						
4	SPRING	B-26597	1	1.50" x 6.63" x 0.177"						
5	SHAFT BRACKET	C-31767	2	2 per bracket						
6	MOUNTING HARDWARE FOR BRACKET	SA-6900-10	4	2 per bracket; 1/2"-13" flanged screw						
7	SPEED NUT (Not shown)	A-24482-1	2	Included in S-25593						
8	ACTUATOR BRACKET	C-31765	1							
9	ACTUATOR BRACKET HARDWARE ²									
	11a 3/8" - 16" Flanged screws	SA-6900-5	1							
	11b 3/8" - 16" Flanged nut	SA-7000-3	1							

2. Install rear bolt nut only.



VANTRAAX® HKANT 40K / 46K and HKA180 Slider Suspensions

Illustration 1

Units shipped before **May 1999**

Obsolete

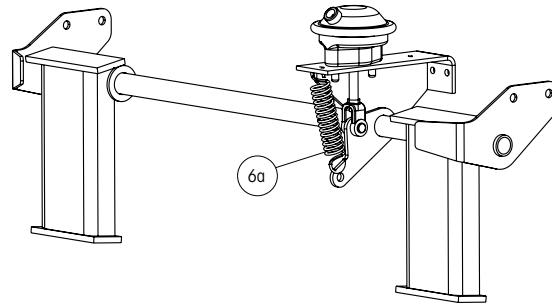


Illustration 2

Units shipped between **May 1999 and December 2001**

Obsolete

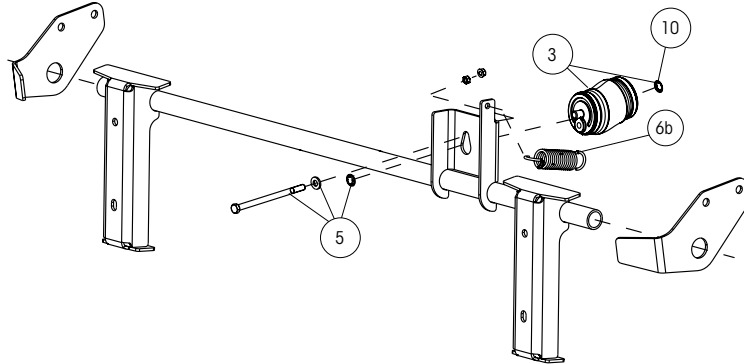


Illustration 3

Units shipped between **December 2001 and December 2015**

Obsolete

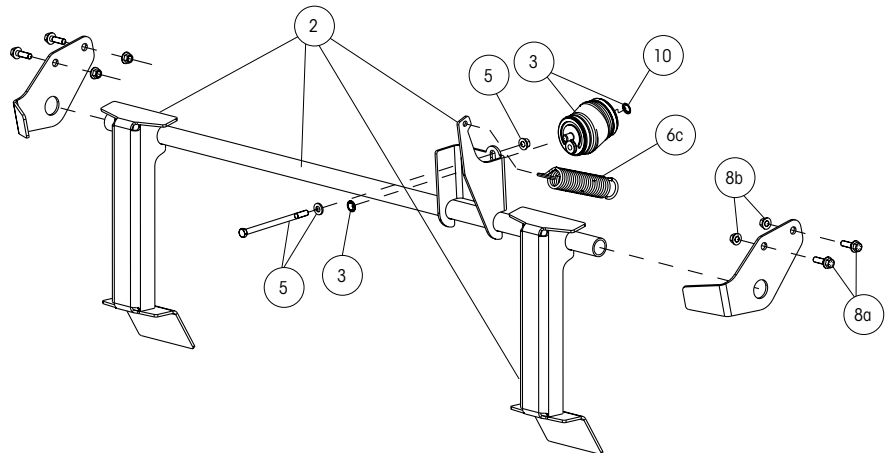
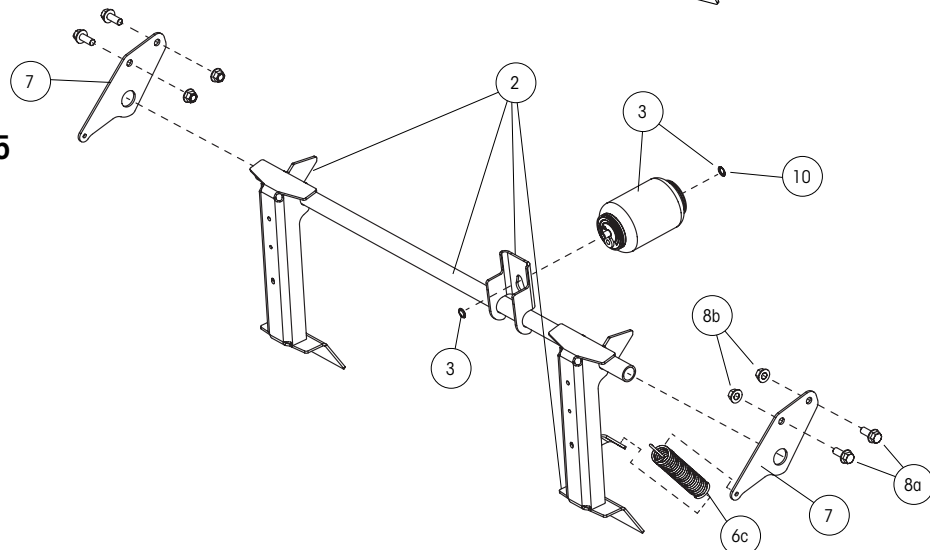


Illustration 4

Units shipped after **December 2015**





VANTRAAX® HKANT 40K / 46K and HKA180 Slider Suspensions (Continued)

ITEM	DESCRIPTION	PART NO.	SYSTEM		NOTE																																										
			QTY.																																												
1	SURELOK® RETROFIT KIT (Not shown)	SLK_XXX			Please contact Hendrickson for assistance																																										
<table border="1"> <thead> <tr> <th>SURELOK SERIES</th> <th>SUSPENSION MODEL</th> </tr> </thead> <tbody> <tr> <td>SLKS</td> <td>Narrow pivot VANTRAAX with short beams</td> </tr> <tr> <td>SLKP</td> <td>Narrow pivot VANTRAAX with long beams</td> </tr> </tbody> </table>						SURELOK SERIES	SUSPENSION MODEL	SLKS	Narrow pivot VANTRAAX with short beams	SLKP	Narrow pivot VANTRAAX with long beams																																				
SURELOK SERIES	SUSPENSION MODEL																																														
SLKS	Narrow pivot VANTRAAX with short beams																																														
SLKP	Narrow pivot VANTRAAX with long beams																																														
2	RIDE HEIGHT LOCK ASSEMBLY																																														
<table border="1"> <thead> <tr> <th rowspan="2">Slider Box Width</th> <th rowspan="2">42" Box</th> <th colspan="2">48" Box</th> <th rowspan="2">54" Box</th> </tr> <tr> <th>STANDARD</th> <th>GALVANIZED</th> </tr> </thead> <tbody> <tr> <td colspan="5" style="text-align:center">AIR SPRING ACTUATED (SLKS and SLKP)</td> </tr> <tr> <td>15.0" ride height</td> <td>S-36182-2</td> <td>S-36186-6</td> <td>–</td> <td>S-36186-15</td> </tr> <tr> <td>16.0" ride height</td> <td>S-36186-4</td> <td>S-36186-8</td> <td>S-36186-23</td> <td>S-36186-17</td> </tr> <tr> <td>16.5" ride height</td> <td>S-36186-13</td> <td>S-36186-14</td> <td>S-36186-24</td> <td>S-36186-18</td> </tr> <tr> <td>17.0" ride height</td> <td>S-36186-9</td> <td>S-36186-11</td> <td>S-36186-25</td> <td>S-36186-19</td> </tr> <tr> <td>18.0" ride height</td> <td>S-36186-9</td> <td>S-36186-11</td> <td>–</td> <td>S-36186-19</td> </tr> <tr> <td>19.0" ride height</td> <td>S-36186-10</td> <td>S-36186-12</td> <td>–</td> <td>S-36186-20</td> </tr> </tbody> </table>						Slider Box Width	42" Box	48" Box		54" Box	STANDARD	GALVANIZED	AIR SPRING ACTUATED (SLKS and SLKP)					15.0" ride height	S-36182-2	S-36186-6	–	S-36186-15	16.0" ride height	S-36186-4	S-36186-8	S-36186-23	S-36186-17	16.5" ride height	S-36186-13	S-36186-14	S-36186-24	S-36186-18	17.0" ride height	S-36186-9	S-36186-11	S-36186-25	S-36186-19	18.0" ride height	S-36186-9	S-36186-11	–	S-36186-19	19.0" ride height	S-36186-10	S-36186-12	–	S-36186-20
Slider Box Width	42" Box	48" Box		54" Box																																											
		STANDARD	GALVANIZED																																												
AIR SPRING ACTUATED (SLKS and SLKP)																																															
15.0" ride height	S-36182-2	S-36186-6	–	S-36186-15																																											
16.0" ride height	S-36186-4	S-36186-8	S-36186-23	S-36186-17																																											
16.5" ride height	S-36186-13	S-36186-14	S-36186-24	S-36186-18																																											
17.0" ride height	S-36186-9	S-36186-11	S-36186-25	S-36186-19																																											
18.0" ride height	S-36186-9	S-36186-11	–	S-36186-19																																											
19.0" ride height	S-36186-10	S-36186-12	–	S-36186-20																																											
3	AIR SPRING ACTUATOR ASSEMBLY	S-25593	1		Includes air spring actuator and 2 speed nuts																																										
4	BEAM EXTENSION WELDMENTS (Not shown)				SLKS models																																										
	Roadside	D-27653-1	1																																												
	Curbside	D-27653-2	1																																												
5	RESTRAINT BOLT KIT	S-25516	1		Includes 1 bolt, 1 nut and 1 washer																																										
6	SPRING																																														
	6a Units shipped before May 1999	S-21539	1		1.25" × 6.125" × 0.177"; Illustration 1																																										
	6b Units shipped between May 1999 and December 2001	S-24495	1		1.27" × 4.40" × 0.148"; Illustration 2																																										
	6c Units shipped after December 2001	B-26597	1		1.50" × 6.63" × 0.177"; Illustration 3 and 4																																										
7	SHAFT BRACKET	S-36137	1		Illustrations 2, 3 and 4 only																																										
8	MOUNTING HARDWARE FOR SHAFT BRACKET																																														
	8a 1/2" - 13" flanged screw	SA-6900-10	4		2 per bracket																																										
	8b 1/2" - 13" prev-torq. flanged nut	SA-7000-1	4		2 per bracket																																										
9	MOUNTING HARDWARE FOR BRAKE CHAMBER (Not shown)																																														
	9a 3/8" - 16" Flanged nut	SA-7000-3	1																																												
	9b 3/8" - 16" Flanged screw	SA-6900-5	1																																												
10	SPEED NUT	A-24482-1	2		Included in S-25593																																										



VANTRAX® HKAT 46K Slider Suspension

Illustration 1

Units shipped before
April 1998

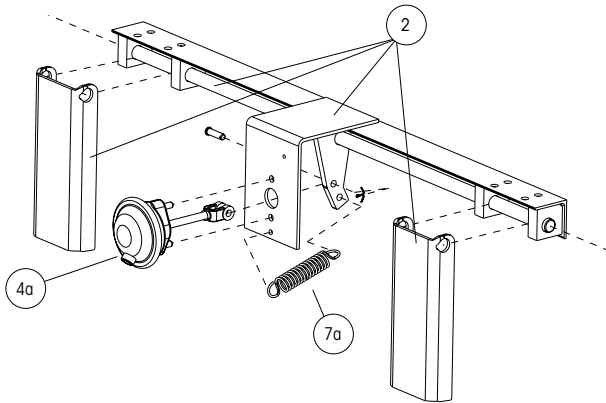


Illustration 2

Units shipped between
April 1998 and May 1999

Obsolete

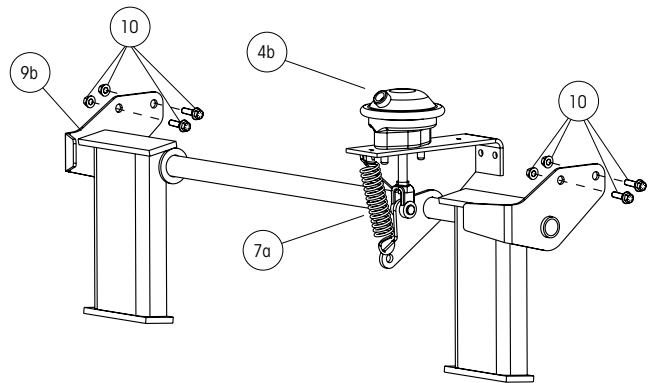


Illustration 3

Units shipped between
**May 1999 and
December 2001**

Obsolete

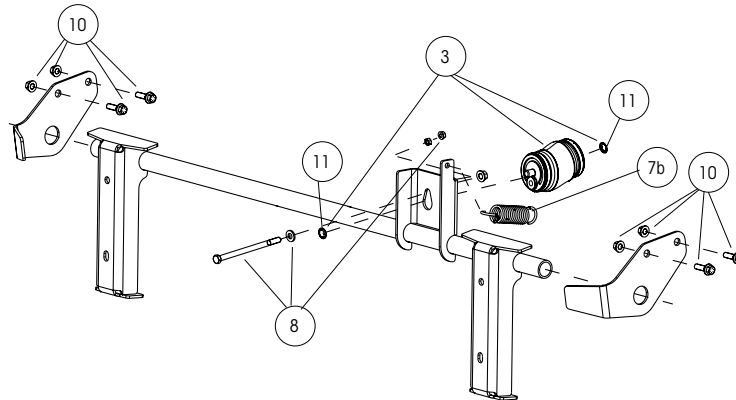


Illustration 4

Units shipped between
**December 2001
and December 2015**

Obsolete

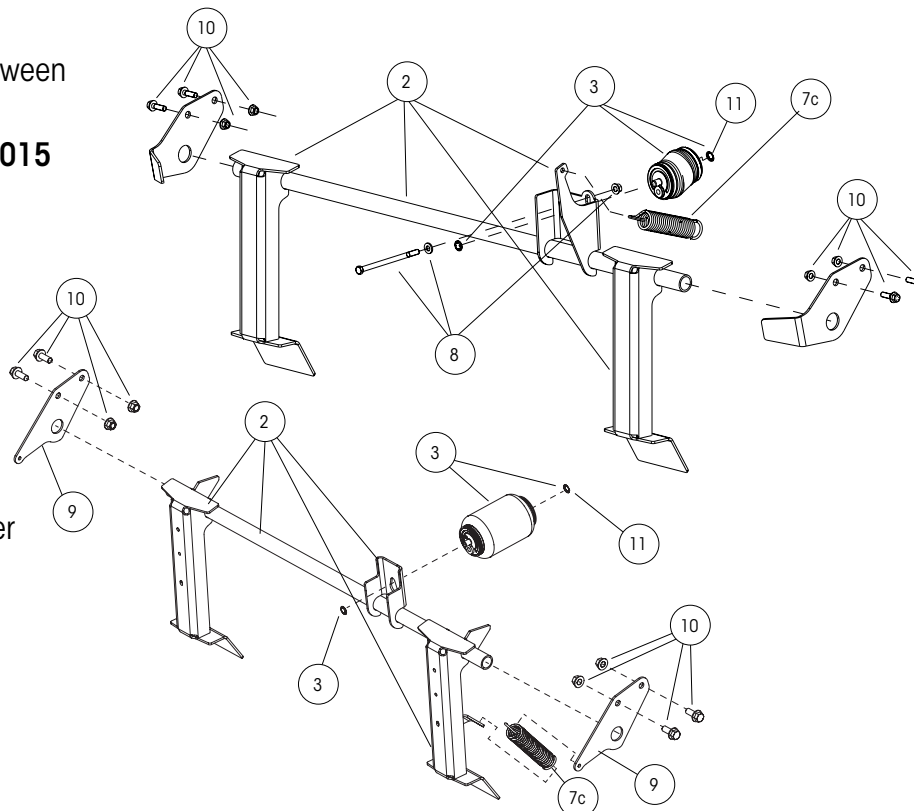


Illustration 5

Units shipped after
December 2015



VANTRAAX® HKAT 46K Slider Suspension (Continued)

ITEM	DESCRIPTION	PART NO.	QTY.	SYSTEM	NOTE																																																																																																						
1	SURELOK® RETROFIT KIT¹ (Not shown)	SLK_XXX	1		Please contact Hendrickson for assistance																																																																																																						
		<table border="1"> <thead> <tr> <th>SURELOK SERIES</th> <th>SUSPENSION MODEL</th> <th>DATE PURCHASED</th> </tr> </thead> <tbody> <tr> <td>SLKF</td> <td>Brake chamber actuated version</td> <td>Wide HKA 200K models sold before May 1999</td> </tr> <tr> <td rowspan="3">SLKO</td> <td rowspan="3">Air spring actuated version</td> <td>Current models</td> </tr> <tr> <td>Wide pivot VANTRAAX HKAT</td> </tr> <tr> <td>Wide HKA 200K models sold after July 1999</td> </tr> </tbody> </table>				SURELOK SERIES	SUSPENSION MODEL	DATE PURCHASED	SLKF	Brake chamber actuated version	Wide HKA 200K models sold before May 1999	SLKO	Air spring actuated version	Current models	Wide pivot VANTRAAX HKAT	Wide HKA 200K models sold after July 1999																																																																																											
SURELOK SERIES	SUSPENSION MODEL	DATE PURCHASED																																																																																																									
SLKF	Brake chamber actuated version	Wide HKA 200K models sold before May 1999																																																																																																									
SLKO	Air spring actuated version	Current models																																																																																																									
		Wide pivot VANTRAAX HKAT																																																																																																									
		Wide HKA 200K models sold after July 1999																																																																																																									
2	RIDE HEIGHT LOCK ASSEMBLY																																																																																																										
		<table border="1"> <thead> <tr> <th rowspan="2">Slider Box Width</th> <th rowspan="2">42" Box</th> <th colspan="2">48" Box</th> <th rowspan="2">54" Box</th> </tr> <tr> <th>STANDARD</th> <th>GALVANIZED</th> </tr> </thead> <tbody> <tr> <td colspan="5" style="text-align:center">AIR SPRING ACTUATED (SLKO)</td> </tr> <tr> <td>14.0" ride height</td> <td>S-36186-2</td> <td>S-36186-6</td> <td>–</td> <td>S-36186-15</td> </tr> <tr> <td>15.0" ride height</td> <td>S-36186-4</td> <td>S-36186-8</td> <td>S-36186-22</td> <td>S-36186-16</td> </tr> <tr> <td>15.5" ride height</td> <td>S-36186-3</td> <td>S-36186-7</td> <td>–</td> <td>S-36186-16</td> </tr> <tr> <td>16.0" ride height</td> <td>S-36186-4</td> <td>S-36186-8</td> <td>S-36186-23</td> <td>S-36186-17</td> </tr> <tr> <td>16.5" ride height</td> <td>S-36186-13</td> <td>S-36186-14</td> <td>S-36186-24</td> <td>S-36186-18</td> </tr> <tr> <td>17.0" ride height</td> <td>S-36186-9</td> <td>S-36186-11</td> <td>S-36186-25</td> <td>S-36186-19</td> </tr> <tr> <td>18.0" ride height</td> <td>S-36186-9</td> <td>S-36186-11</td> <td>–</td> <td>S-36186-19</td> </tr> <tr> <td>19.0" ride height</td> <td>S-36186-10</td> <td>S-36186-12</td> <td>–</td> <td>S-36186-20</td> </tr> <tr> <td colspan="5" style="text-align:center">BRAKE CHAMBER ACTUATED (SLKF)</td> </tr> <tr> <td>13.5" ride height</td> <td>S-22487-1</td> <td>S-22487-5</td> <td>–</td> <td>–</td> </tr> <tr> <td>14.0" ride height</td> <td>S-22487-2</td> <td>S-22487-6</td> <td>–</td> <td>–</td> </tr> <tr> <td>14.5" ride height</td> <td>S-22487-3</td> <td>S-22487-7</td> <td>–</td> <td>–</td> </tr> <tr> <td>15.0" ride height</td> <td>S-22487-4</td> <td>S-22487-8</td> <td>–</td> <td>–</td> </tr> <tr> <td>16.0" ride height</td> <td>S-22487-9</td> <td>S-22487-13</td> <td>–</td> <td>–</td> </tr> <tr> <td>16.5" ride height</td> <td>S-22487-17</td> <td>S-22487-18</td> <td>–</td> <td>–</td> </tr> <tr> <td>17.0" ride height</td> <td>S-22487-10</td> <td>S-22487-14</td> <td>–</td> <td>–</td> </tr> <tr> <td>18.0" ride height</td> <td>S-22487-11</td> <td>S-22487-15</td> <td>–</td> <td>–</td> </tr> <tr> <td>19.0" ride height</td> <td>S-22487-12</td> <td>S-22487-16</td> <td>–</td> <td>–</td> </tr> </tbody> </table>				Slider Box Width	42" Box	48" Box		54" Box	STANDARD	GALVANIZED	AIR SPRING ACTUATED (SLKO)					14.0" ride height	S-36186-2	S-36186-6	–	S-36186-15	15.0" ride height	S-36186-4	S-36186-8	S-36186-22	S-36186-16	15.5" ride height	S-36186-3	S-36186-7	–	S-36186-16	16.0" ride height	S-36186-4	S-36186-8	S-36186-23	S-36186-17	16.5" ride height	S-36186-13	S-36186-14	S-36186-24	S-36186-18	17.0" ride height	S-36186-9	S-36186-11	S-36186-25	S-36186-19	18.0" ride height	S-36186-9	S-36186-11	–	S-36186-19	19.0" ride height	S-36186-10	S-36186-12	–	S-36186-20	BRAKE CHAMBER ACTUATED (SLKF)					13.5" ride height	S-22487-1	S-22487-5	–	–	14.0" ride height	S-22487-2	S-22487-6	–	–	14.5" ride height	S-22487-3	S-22487-7	–	–	15.0" ride height	S-22487-4	S-22487-8	–	–	16.0" ride height	S-22487-9	S-22487-13	–	–	16.5" ride height	S-22487-17	S-22487-18	–	–	17.0" ride height	S-22487-10	S-22487-14	–	–	18.0" ride height	S-22487-11	S-22487-15	–	–	19.0" ride height	S-22487-12	S-22487-16	–	–
Slider Box Width	42" Box	48" Box		54" Box																																																																																																							
		STANDARD	GALVANIZED																																																																																																								
AIR SPRING ACTUATED (SLKO)																																																																																																											
14.0" ride height	S-36186-2	S-36186-6	–	S-36186-15																																																																																																							
15.0" ride height	S-36186-4	S-36186-8	S-36186-22	S-36186-16																																																																																																							
15.5" ride height	S-36186-3	S-36186-7	–	S-36186-16																																																																																																							
16.0" ride height	S-36186-4	S-36186-8	S-36186-23	S-36186-17																																																																																																							
16.5" ride height	S-36186-13	S-36186-14	S-36186-24	S-36186-18																																																																																																							
17.0" ride height	S-36186-9	S-36186-11	S-36186-25	S-36186-19																																																																																																							
18.0" ride height	S-36186-9	S-36186-11	–	S-36186-19																																																																																																							
19.0" ride height	S-36186-10	S-36186-12	–	S-36186-20																																																																																																							
BRAKE CHAMBER ACTUATED (SLKF)																																																																																																											
13.5" ride height	S-22487-1	S-22487-5	–	–																																																																																																							
14.0" ride height	S-22487-2	S-22487-6	–	–																																																																																																							
14.5" ride height	S-22487-3	S-22487-7	–	–																																																																																																							
15.0" ride height	S-22487-4	S-22487-8	–	–																																																																																																							
16.0" ride height	S-22487-9	S-22487-13	–	–																																																																																																							
16.5" ride height	S-22487-17	S-22487-18	–	–																																																																																																							
17.0" ride height	S-22487-10	S-22487-14	–	–																																																																																																							
18.0" ride height	S-22487-11	S-22487-15	–	–																																																																																																							
19.0" ride height	S-22487-12	S-22487-16	–	–																																																																																																							
3	AIR SPRING ACTUATOR ASSEMBLY	S-25593	1		SLKO model; Includes air spring, actuator and 2 speed nuts																																																																																																						
4	BRAKE CHAMBERS																																																																																																										
4a	Type 9 (SLKF)	A-21452	1																																																																																																								
4b	Type 12 (SLKF)	S-23169																																																																																																									
5	BEAM EXTENSIONS (Not shown)	SLKO, SLKF models; Includes beam extension and bolt kits																																																																																																									
5a	Roadside	S-33016-1	1																																																																																																								
5b	Curbside	S-33016-2	1																																																																																																								
6	BEAM EXTENSION BOLT KIT (Not shown)	S-25980	Includes SA-6900-16 and SA-7000-6																																																																																																								
7	TENSION SPRINGS																																																																																																										
7a	1.25"× 6.13" × 0.177"	S-21539	1	SLKF model, illustration 1 and 2																																																																																																							
7b	1.27"× 4.40" × 0.148"	S-24495	1	SKLO model, illustration 3																																																																																																							
7c	1.5" × 6.63" × 0.177"	B-26597	1	SKLO model, illustration 4 and 5																																																																																																							
8	RESTRAINT BOLT KIT	S-25516	1	SKLO model, illustration 4 and 5																																																																																																							
9	SHAFT BRACKET	S-36137	2	SLKO models; Includes 1 bolt, 1 nut and 1 washer																																																																																																							
10	MOUNTING HARDWARE FOR SHAFT BRACKETS																																																																																																										
	1/2" - 13" flanged screw	SA-6900-10	4	2 per bracket																																																																																																							
	1/2" - 13" prevailing torque flanged nut	SA-7000-1	4	2 per bracket																																																																																																							
	7/16" hex head bolt	SA-1100-30	1																																																																																																								
	Washer	SA-1500-35	1																																																																																																								
11	SPEED NUT	A-24482-1	2	Included in S-25593																																																																																																							
12	BRAKE CHAMBER MOUNTING HARDWARE (Not shown)																																																																																																										
12a	3/8-16" flanged screw	SA-6900-5	1																																																																																																								
12b	3/8-16" prev-torq. flanged nut	SA-7000-3	1																																																																																																								



HK™ SERIES HK190 / 230 Slider Suspensions

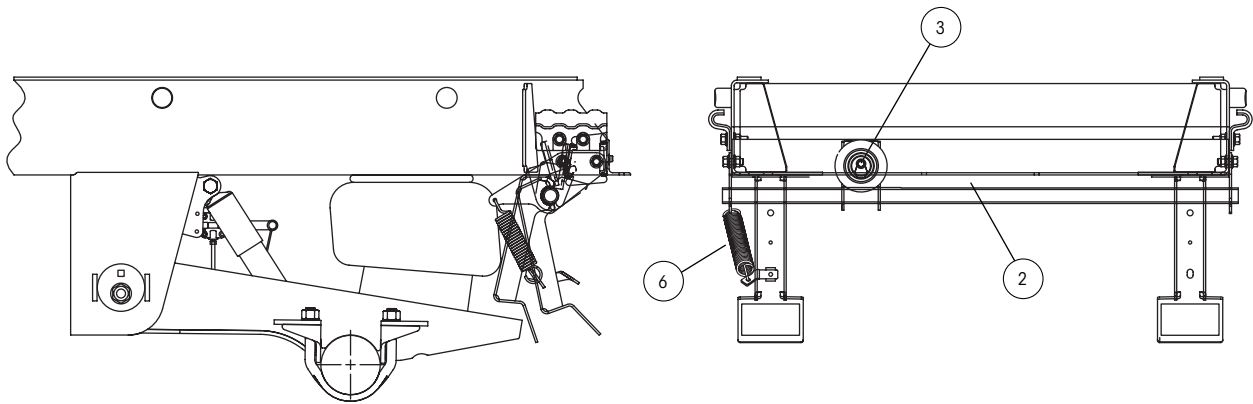


Illustration 4

Units shipped between
December 2001
and December 2015

Obsolete

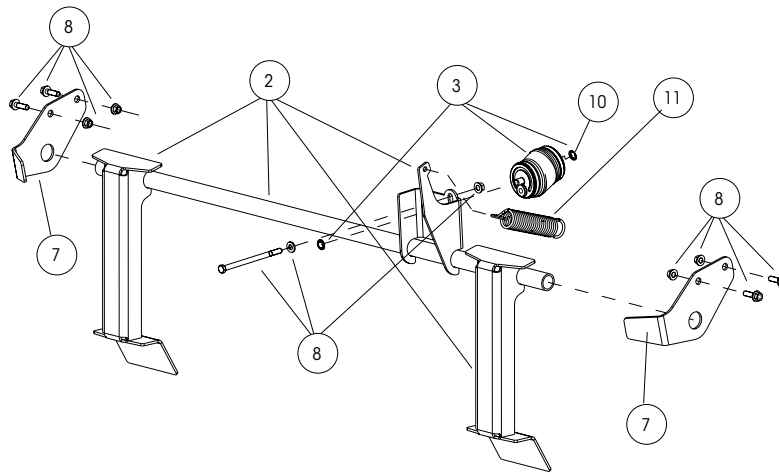
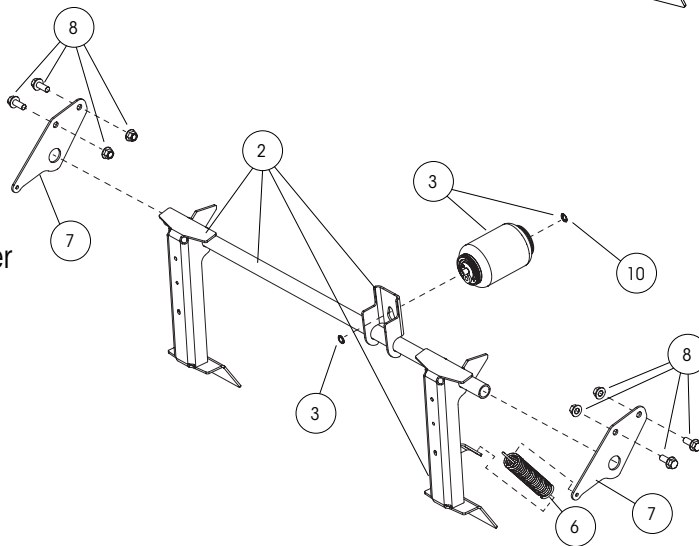


Illustration 5

Units shipped after
December 2015





HK™ SERIES HK190 / 230 Slider Suspensions (Continued)

ITEM	DESCRIPTION	PART NO.	SYSTEM QTY.	NOTE
------	-------------	----------	-------------	------

1 SURELOK® RETROFIT KIT¹ (Not shown) SLK_-XXX 1 Please contact Hendrickson for assistance

SURELOK SERIES	SUSPENSION MODEL	DATE PURCHASED
SLKN	Long Beams	Sliders made after December 1997
SLKC		Sliders made before December 1997
SLKR	Short Beams	Sliders made after December 1997
SLKM		Sliders made before December 1997

2 RIDE HEIGHT LOCK ASSEMBLY

Slider Box Width	42" Box	48" Box
AIR SPRING ACTUATED (SLKR and SLKN)		
16.0" ride height	S-36187-1	S-36187-6
16.5" ride height	S-36187-2	S-36187-7
17.0" ride height	S-36187-3	S-36187-8
18.0" ride height	S-36187-4	S-36187-9
19.0" ride height	S-36187-5	S-36187-10
BRAKE CHAMBER ACTUATED (SLKC and SLKM)		
16.0" ride height	S-21766-1	S-21766-5
17.0" ride height	S-21766-2	S-21766-6
18.0" ride height	S-21766-3	S-21766-7
19.0" ride height	S-21766-4	S-21766-8

3 AIR SPRING ACTUATOR ASSEMBLY	S-25593	1	SLKN and SLKR models; Includes air spring actuator and 2 speed nuts
4 BRAKE CHAMBER (Not shown)	A-21452	1	SLKC and SLKM models; Type 9 chamber
5 BEAM EXTENSION WELDMENT (Not shown)			
SLKR models	C-21442	2	
SLKM models	C-26363	2	
6 SPRING			
1.25" x 6.125" x .177" (Not shown)	S-21539	1	SLKC and SLKM models
1.50" x 6.63" x .177"	B-26597	1	SLKR and SLKN models
7 SHAFT BRACKET	S-36137	2	
8 MOUNTING HARDWARE FOR SHAFT BRACKET			2 per bracket
1/2" - 13" flanged screw	SA-6900-10	4	
1/2" - 13" prev-torq HEX FLG Nut	SA-7000-1	4	
9 MOUNTING HARDWARE FOR BRAKE CHAMBER (Not shown)			
3/8" - 16" flanged screw	SA-6900-5	4	SLKC and SLKM models
3/8" - 16" prev-torq HEX FLG Nut	SA-7000-3	4	
10 SPEED NUT	A-24482-1	2	SLKN and SLKR models



HT™ SERIES HT190 / 230 Top-mount Suspensions

ITEM	DESCRIPTION	PART NO.	SYSTEM QTY.	NOTE
------	-------------	----------	-------------	------

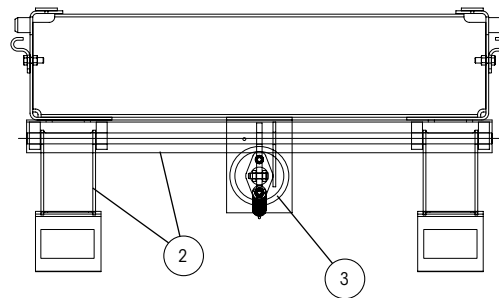
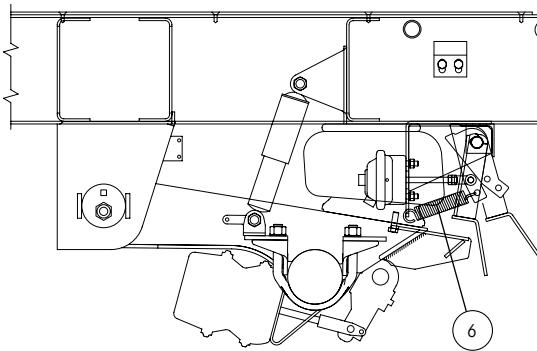
1	SURELOK® RETROFIT KIT ¹ (Not shown)	SLKU_-XXX	1	Please contact Hendrickson for assistance
---	--	-----------	---	---

SURELOK SERIES		SUSPENSION MODEL	
SLKL	Long Beams	High Control	
SLKQ	Short Beams		
SLKK	Long Beams	Standard	
SLKA	Short Beams		

2	RIDE HEIGHT LOCK ASSEMBLY
---	----------------------------------

Slider Box Width	42" Box	48" Box
BRAKE CHAMBER ACTUATED (SLKL and SLKQ)		
14.0" ride height	S-23630-1	S-23630-2
15.0" ride height	S-23630-3	S-23630-4
16.0" ride height	S-23630-5	S-23630-6
17.0" ride height	S-23630-7	S-23630-8
BRAKE CHAMBER ACTUATED (SLKA and SLKK)		
14.0" ride height	S-21443-1	S-21443-5
15.0" ride height	S-21443-2	S-21443-6
16.0" ride height	S-21766-1	S-21766-5
17.0" ride height	S-21443-4	S-21443-8

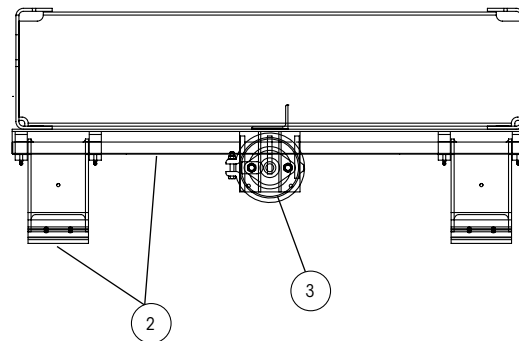
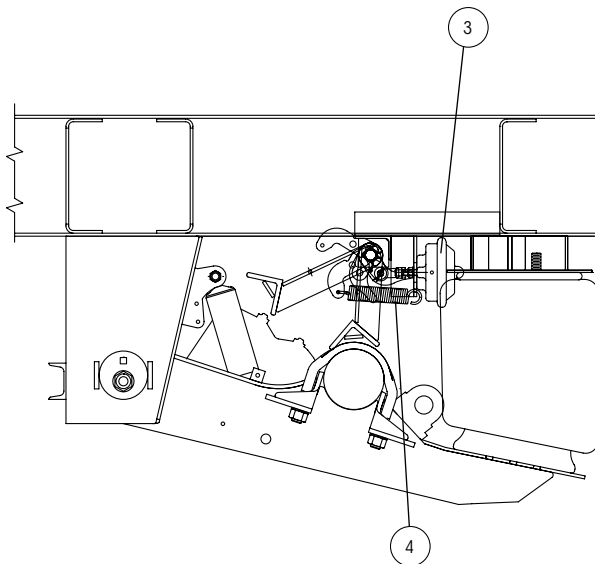
3	BRAKE CHAMBER	A-21452	1	Type 9 chamber
4	BEAM EXTENSION WELDMENT (Not shown)	C-26363	2	SLKA and SLKQ models
5	BEAM EXTENSION SCREW (Not shown)	SA-6900-8	2	
6	SPRING	S-21539	1	1.25" x 6.125" x 0.177"





HT™ SERIES HT250US Underslung Suspensions

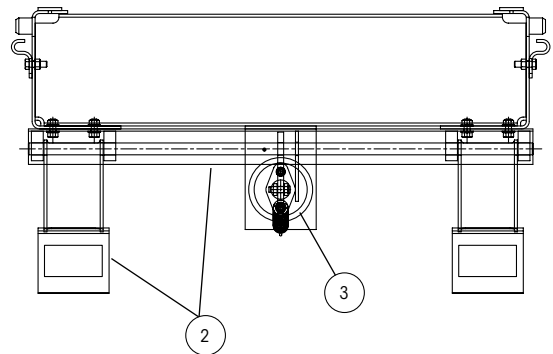
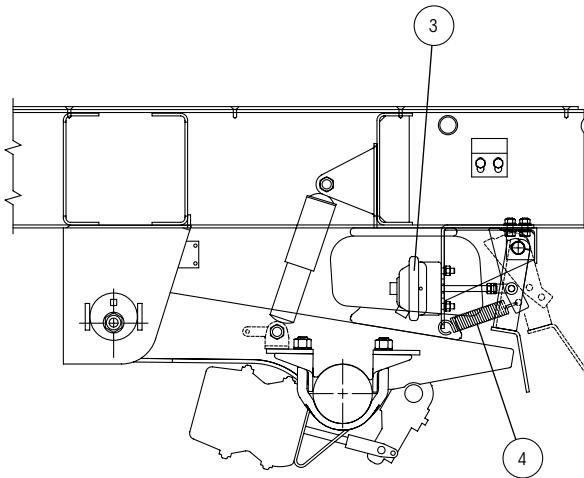
ITEM	DESCRIPTION	PART NO.	SYSTEM QTY.	NOTE												
1	SURELOK® RETROFIT KIT ¹ (Not shown)	SLKU_XXX	1	Please contact Hendrickson for assistance												
<table border="1"> <thead> <tr> <th>SURELOK SERIES</th> <th>SUSPENSION MODEL</th> </tr> </thead> <tbody> <tr> <td>SLKU</td> <td>HT SERIES Underslung HT250US</td> </tr> </tbody> </table>		SURELOK SERIES	SUSPENSION MODEL	SLKU	HT SERIES Underslung HT250US											
SURELOK SERIES	SUSPENSION MODEL															
SLKU	HT SERIES Underslung HT250US															
2	RIDE HEIGHT LOCK ASSEMBLY															
<table border="1"> <thead> <tr> <th>Slider Box Width</th> <th>42" Box</th> <th>48" Box</th> </tr> </thead> <tbody> <tr> <td colspan="3" style="text-align: center;">BRAKE CHAMBER ACTUATED (SLKU)</td> </tr> <tr> <td>12.0" ride height</td> <td>D-27888-1</td> <td>D-27888-3</td> </tr> <tr> <td>14.0" ride height</td> <td>D-27888-2</td> <td>D-27888-4</td> </tr> </tbody> </table>		Slider Box Width	42" Box	48" Box	BRAKE CHAMBER ACTUATED (SLKU)			12.0" ride height	D-27888-1	D-27888-3	14.0" ride height	D-27888-2	D-27888-4			
Slider Box Width	42" Box	48" Box														
BRAKE CHAMBER ACTUATED (SLKU)																
12.0" ride height	D-27888-1	D-27888-3														
14.0" ride height	D-27888-2	D-27888-4														
3	BRAKE CHAMBER	S-23169	1	Type 12 chamber												
4	SPRING	S-21539	1	1.25" x 6.125" x 0.177"												
5	GREASE FITTING (Not shown)	S-22830	4													





HS SERIES HS190 / 230 Slider Suspensions

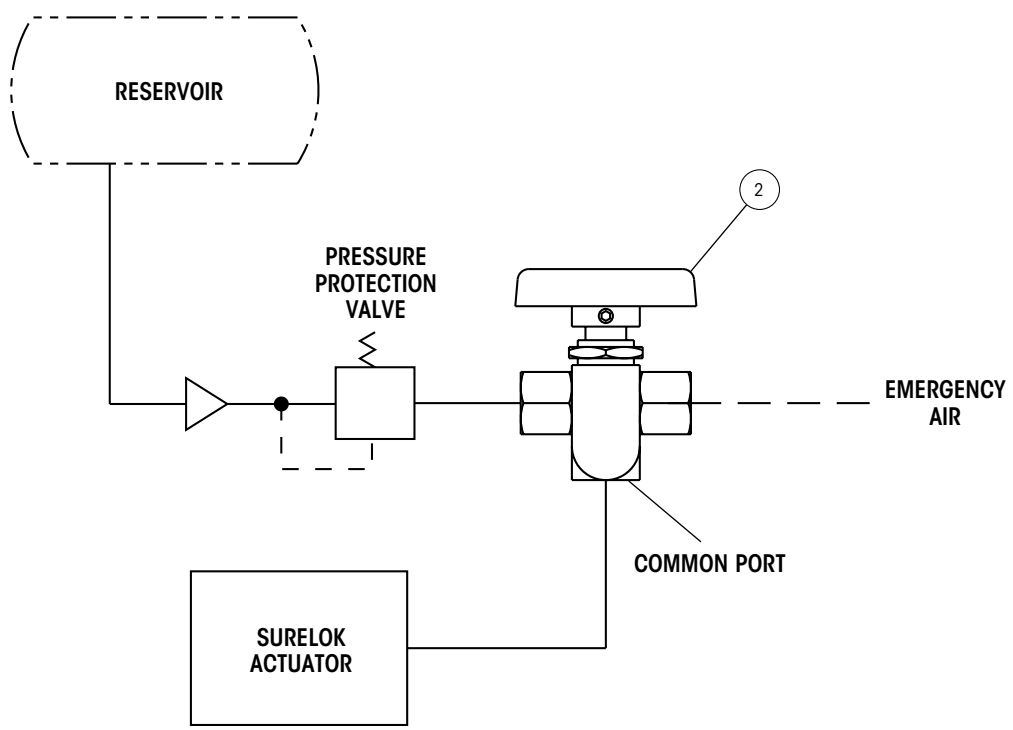
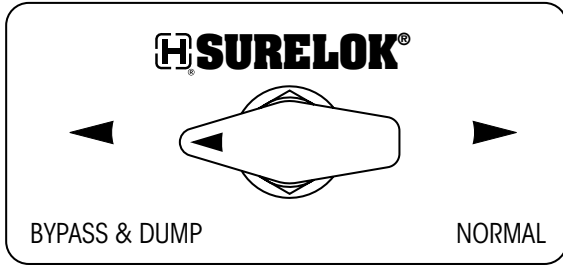
ITEM	DESCRIPTION	PART NO.	SYSTEM QTY.	NOTE																		
1	SURELOK® RETROFIT KIT ¹ (Not shown)	SLK_-XXX	1	Please contact Hendrickson for assistance																		
<table border="1"> <thead> <tr> <th>SURELOK SERIES</th> <th colspan="2">SUSPENSION MODEL</th> </tr> </thead> <tbody> <tr> <td>SLKB</td> <td>Long beams</td> <td rowspan="2">HS models</td> </tr> <tr> <td>SLKA</td> <td>Short beams</td> </tr> </tbody> </table>					SURELOK SERIES	SUSPENSION MODEL		SLKB	Long beams	HS models	SLKA	Short beams										
SURELOK SERIES	SUSPENSION MODEL																					
SLKB	Long beams	HS models																				
SLKA	Short beams																					
2	RIDE HEIGHT LOCK ASSEMBLY																					
<table border="1"> <thead> <tr> <th>Slider Box Width</th> <th>42" Box</th> <th>48" Box</th> </tr> </thead> <tbody> <tr> <td colspan="3" style="text-align: center;">BRAKE CHAMBER ACTUATED (SLKB AND SLKA)</td> </tr> <tr> <td>14.0" ride height</td> <td>S-23630-1</td> <td>S-23630-2</td> </tr> <tr> <td>15.0" ride height</td> <td>S-23630-3</td> <td>S-23630-4</td> </tr> <tr> <td>16.0" ride height</td> <td>S-23630-5</td> <td>S-23630-6</td> </tr> <tr> <td>17.0" ride height</td> <td>S-23630-7</td> <td>S-23630-8</td> </tr> </tbody> </table>					Slider Box Width	42" Box	48" Box	BRAKE CHAMBER ACTUATED (SLKB AND SLKA)			14.0" ride height	S-23630-1	S-23630-2	15.0" ride height	S-23630-3	S-23630-4	16.0" ride height	S-23630-5	S-23630-6	17.0" ride height	S-23630-7	S-23630-8
Slider Box Width	42" Box	48" Box																				
BRAKE CHAMBER ACTUATED (SLKB AND SLKA)																						
14.0" ride height	S-23630-1	S-23630-2																				
15.0" ride height	S-23630-3	S-23630-4																				
16.0" ride height	S-23630-5	S-23630-6																				
17.0" ride height	S-23630-7	S-23630-8																				
3	BRAKE CHAMBER	A-21452	1	Type 9 chamber																		
4	SPRING	S-21539	1	1.25" x 6.125" x 0.177"																		
5	MOUNTING HARDWARE (Not shown)																					
	1/2" - 13" flanged screw HTES-1057	SA-6900-8	2	SLKA models																		
	1/2" - 13" x 100 lg. flanged bolt	SA-6900-6	8	SLKB models																		
	1/2" - 13" prevailing torque flanged nut	SA-7000-1	8	SLKB models																		
6	BEAM EXTENSION	C-26363	2	SLKA models																		





SURELOK® AIR CONTROL KITS

ITEM	DESCRIPTION	PART NO.	SYSTEM QTY.
<i>Manual Bypass</i> – allows you to completely bypass SURELOK®, meaning the legs are disengaged and not functioning.			
1	3-WAY BALL VALVE (Not shown)	VS-22535	1
<i>Manual Bypass with Dump</i> – allows you to completely bypass SURELOK and fully exhaust the trailer’s air suspension.			
2	3-WAY BALL VALVE	VS-22535	1
3	3-WAY AIR PILOTED VALVE (Not shown)	VS-23588	1
4	2-WAY CHECK VALVE (Not shown)	VS-24988	1
<i>Specialized Auto Dump</i> – AKSLO001 – Allows SURELOK to engage, then exhausts the trailer’s air suspension to rest the SURELOK legs on the suspension beams.			
5	3-WAY PILOT VALVE (Not shown)	VS-24053	1
6	CHOKE (Not shown)	A-27314-1	1 1/8" NPT
<i>Manual Bypass with Specialized Auto Dump</i> – Allows you to completely bypass SURELOK, OR allows SURELOK to engage, then exhausts the trailer’s air suspension to rest the SURELOK legs on the suspension beams.			
7	3-WAY BALL VALVE (Not shown)	VS-22535	1





Actual product performance may vary depending upon vehicle configuration, operation, service and other factors.

All applications must comply with applicable Hendrickson specifications and must be approved by the respective vehicle manufacturer with the vehicle in its original, as-built configuration.

Contact Hendrickson for additional details regarding specifications, applications, capacities, and operation, service and maintenance instructions.

Call Hendrickson at 330.489.0045 or 866.RIDEAIR (743.3247) for additional information.



www.hendrickson-intl.com

TRAILER COMMERCIAL VEHICLE SYSTEMS

2070 Industrial Place SE
Canton, OH 44707-2641 USA
866.RIDEAIR (743.3247)
330.489.0045 • Fax 800.696.4416

Hendrickson Canada

250 Chrysler Drive, Unit #3
Brampton, ON Canada L6S 6B6
800.668.5360
905.789.1030 • Fax 905.789.1033

Hendrickson Mexicana

Circuito El Marqués Sur #29
Parque Industrial El Marqués
Pob. El Colorado, Municipio El Marqués,
Querétaro, México C.P. 76246
+52 (442) 296.3600 • Fax +52 (442) 296.3601