

H PARTS LIST

AIRTEK® • SOFTEK® Front Suspension Systems for Blue Bird Buses

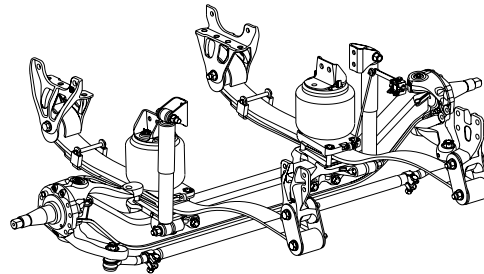
LIT NO: SP-172

DATE: December 2020

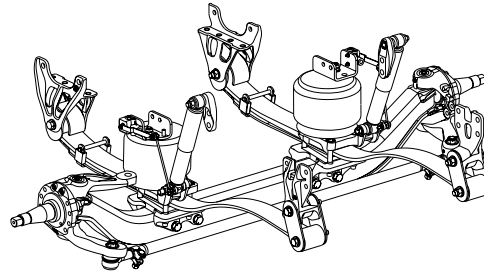
REVISION: J

CONTENTS

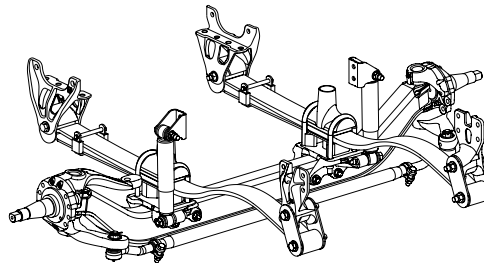
DESCRIPTION	PAGE
AIRTEK with STEERTEK NXT Axle	2
▪ Vision Buses 10K All American Buses 13.2K•14.6K	
STEERTEK NXT Axle Selection Guide	4
Tie Rod Selection Guide	5
SOFTEK with STEERTEK NXT Axle	6
▪ Vision Buses 8.5K•10K All American Buses 13.2K•14.6K	
AIRTEK with STEERTEK Axle	8
▪ Vision Buses 10K All American Buses 13.2K•14.6K	
STEERTEK Axle Replacement Guide	11
SOFTEK with STEERTEK Axle.	12
▪ Vision Buses 8.5K•10K All American Buses 13.2K•14.6K	
Notes	15
Special Tools	15



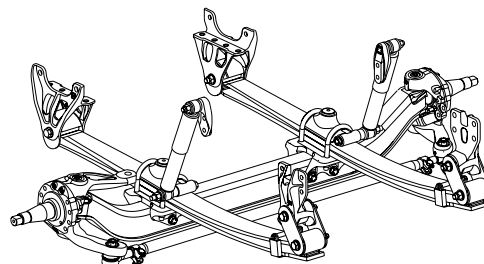
AIRTEK
10K



AIRTEK
13.2K • 14.6K



SOFTEK
8.5K • 10K

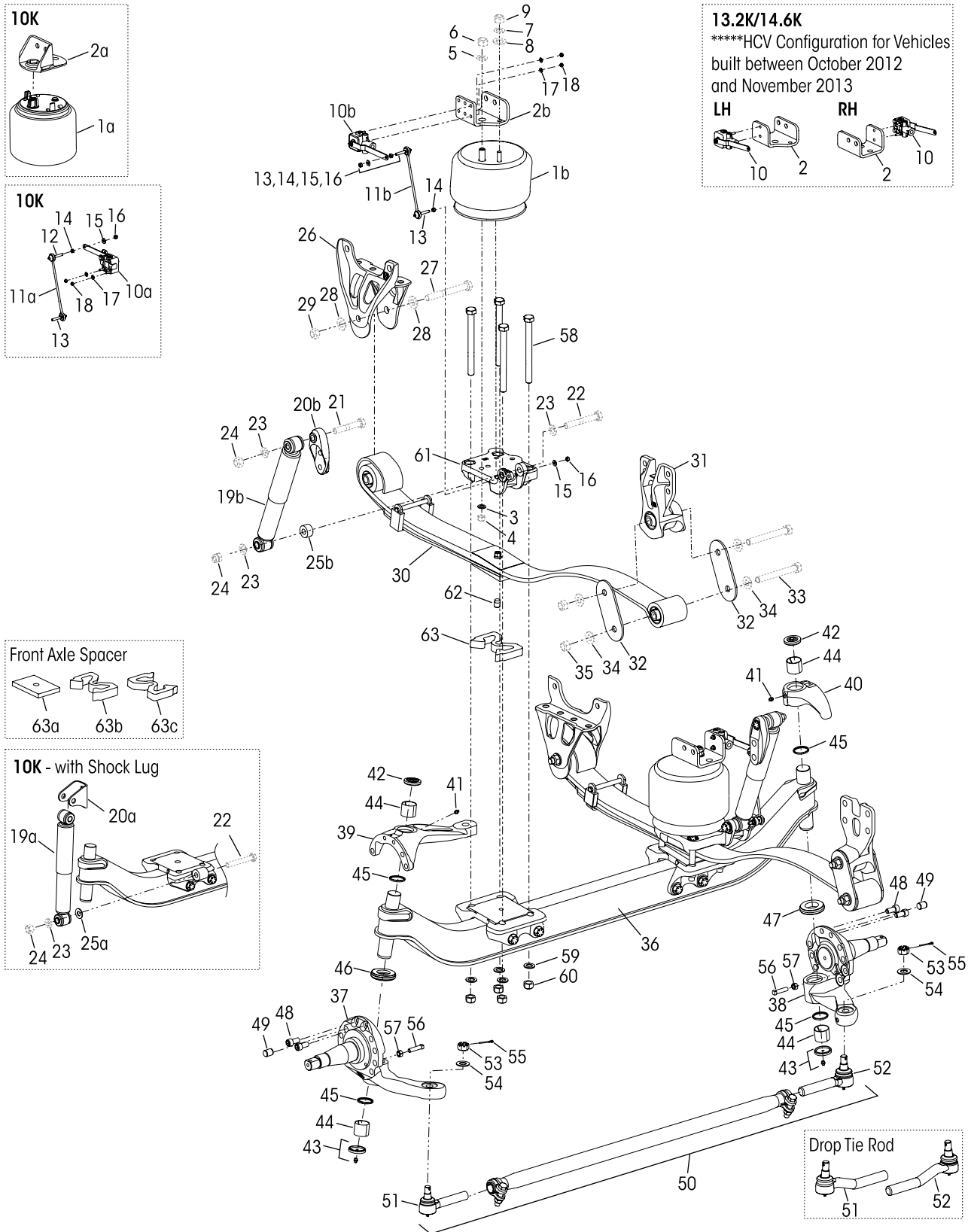


SOFTEK
13.2K • 14.6K



AIRTEK® with STEERTEK™ NXT axle built after October 2012

Vision Buses – 10K Capacity | All American Buses – 13.2K • 14.6K Capacity





AIRTEK® with STEERTEK™ NXT Axle for Blue Bird Buses

KEY NO.	PART NO.	DESCRIPTION	VEHICLE QTY.	KEY NO.	PART NO.	DESCRIPTION	VEHICLE QTY.
1		Air Spring	2			Lower Steering Knuckle Assembly, Includes Key Nos. 43-45, 56-57, <i>See Selection Guide on Page 4</i>	1
a	64075-002L	10K		37	58900-XXX	Left Hand	
b	66865-002L	13.2K • 14.6K		38	58900-XXX	Right Hand	
2		Air Spring Bracket	2			Upper Steering Knuckle Assembly, Includes Key Nos. 41-42, 44-45, <i>See Selection Guide on Page 4</i>	1
a	60850-001	10K		39	60903-XXX	Left Hand	
b	66807-002	13.2K • 14.6K, <i>Replaces 66807-001</i>		40	60904-XXX	Right Hand	
3	22962-014	½" Hardened Washer	2			Kingpin Bushing and Bearing Service Kits	
4		**½"-13 UNC Nylon Locknut	2		60961-628	Axle Set , Includes Kit Nos. 60961-629 & -630	
5		**¾" Hardened Washer	2		60961-629	Left Hand with Composite Thrust Bearing , Includes Key Nos. 41-46, 48 & Loctite	
6		**¾"-16 UNF Nylon Locknut	2		60961-630	Right Hand with Roller Thrust Bearing , Includes Key Nos. 41-45, 47-48 & Loctite	
7		**Hardened Washer	2	41	33117-000	Grease Zerk	2
8		**Wide Hardened Washer	2	42	68687-003	Grease Cap Assembly, Upper	2
9		**½"-13 UNC Nylon Locknut	2	43	68687-002	Grease Cap Assembly, Lower	2
	59427-008	10K - Height Control Valve, Link Mount & Linkage Assembly, Includes Key Nos. 10a, 11a, 12-18	1	44	58909-001	Kingpin Bushing	4
	59013-001	*****13.2K • 14.6K - HCV Assembly, Includes Key Nos. 10b, 17-18, <i>Replaces 59013-000</i>	2			Thrust Bearing Service Kits	
	66825-001	13.2K • 14.6K, HCV Linkage Assembly Includes Key Nos. 11b, 13-16	2		60961-631	Axle Set , Includes Kit Nos. 60961-632 & -633	
10		Height Control Valve			60961-632	Left Hand Composite Thrust Bearing , Includes Key Nos. 45-46, 48 & Loctite	
a	59935-004	10K	1		60961-633	Right Hand Roller Thrust Bearing , Includes Key Nos. 45, 47-48 & Loctite	
b	60501-001	13.2K • 14.6K, <i>Replaces 60501-000</i>	2	45	68731-000	Kingpin Seal	4
11		HCV Linkage Assembly		46	59828-000	Left Hand Composite Thrust Bearing	1
a	59428-001	10K	1	47	64256-000L	Right Hand Roller Thrust Bearing	1
b	59428-005	13.2K • 14.6K	2	48	60236-001	¾" Socket Head Cap Screw	4
12		*⅝"-18 UNC Stud - 2.07"	1	49	64246-000	ABS Sensor Sleeve	2
13		*⅝"-18 UNC Stud - 2.44"	1	50		Tie Rod Assembly, Includes Key Nos. 51-53, <i>See Selection Guide on Page 5</i>	1
14		*⅝"-18 UNC Hex Nut	2			Tie Rod End Service Kits , <i>See Selection Guide on Page 5</i>	
15		*⅝" Hardened Washer	2			Axle Set , Includes LH and RH Kits	
16		*⅝"-18 UNC Locknut	2			Left Hand , Includes Key Nos. 51, 53-55	
17		¼" Hardened Washer	2			Right Hand , Includes Key Nos. 52-55	
18		*¼"-20 UNC Locknut	2			Tie Rod End, Includes Key No. 53, <i>See Selection Guide on Page 5</i>	
19		Shock Absorber	2	51		Left Hand	1
a	58913-009L	10K		52		Right Hand	1
b	58913-011L	13.2K • 14.6K		53		*⅞" Castle Nut	2
20		Shock Bracket	2	54	22962-007	⅞" Flat Washer	2
a	59423-002	10K		55	17800-004	Tie Rod Nut Cotter Pin	2
b	67463-002	13.2K • 14.6K			60961-069	Stop Bolt Service Kit, One Side , Includes Key Nos. 56-57	
21		**¾"-10 UNC Upper Shock Bolt	2	56	60238-001	½"-13 UNC Square Head Bolt	2
22		**¾"-10 UNC Lower Shock Bolt	2	57	60240-000	½"-13 UNC Hex Jam Nut	2
23		**¾" Hardened Washer	6			Clamp Group Service Kits , Includes Key Nos. 58-60	
24		**¾"-10 UNC Hex Locknut	4			• Axle Set	
25		Shock Spacer	2		60961-673	6.5" • 6.8" Ride Height	
a	22962-046	10K - 0.118" Thick			60961-692	7.8" Ride Height, Includes Key No. 62	
b	59946-006	13.2K • 14.6K - 0.5" Thick			60961-674	8.5" • 8.8" Ride Height, Includes Key No. 62	
26	64488-002	Front Hanger	2		60961-693	9.8" Ride Height, Includes Key No. 62	
27		**M20 Hex Bolt - 170 mm	2			• One Side	
28		**M20 Hardened Washer	4		34013-297	6.5" • 6.8" Ride Height	
29		**M20 Locknut	2		34013-366	7.8" Ride Height	
	60961-163	Leaf Spring Assembly Service Kits, Axle Set , Includes Key Nos. 30-32			34013-365	8.5" • 8.8" Ride Height	
30	53487-000	Leaf Spring Assembly	2		34013-367	9.8" Ride Height	
	60961-643	Rear Shackle Service Kit, Axle Set , Includes Key Nos. 31-32		58		¾"-16 UNF Hex Bolt	8
31	66510-001	Rear Shackle Bracket with Bushing	2		21867-036	6.5" • 6.8" Ride Height - 5.0" Length	
32	64314-000	Rear Shackle Plate	4		21867-007	7.8" Ride Height - 6.0" Length	
33		**M20 x 150 mm Hex Bolt	4		21867-006	8.5" • 8.8" Ride Height - 7.0" Length	
34		**M20 Hardened Washer	8		21867-004	9.8" Ride Height - 8.0" Length	
35		**M20 Locknut	4	59	22962-001	¾" Flat Washer	8
	68987-XXX	STEERTEK NXT Axle Assembly , <i>See Selection Guide on Page 4</i> , Includes Key Nos. 36-55	1	60	17700-035	¾"-16 UNF 2B Nylon Locknut	8
36		Axle & Kingpin Assembly	1				
	68986-007M	10K, Vehicles built after May 2017					
	68986-001M	10K, Vehicles built prior to May 2017					
	68986-005M	13.2K, Narrow					
	68986-002M	14.6K, Wide					



KEY NO.	PART NO.	DESCRIPTION	VEHICLE QTY.	KEY NO.	PART NO.	DESCRIPTION	VEHICLE QTY.
61		Top Pad		63		Front Axle Spacer	As Req.
	64516-001	• Left Hand 10K	1	a	70105-010	• Left Hand 6.5" • 6.8" Ride Height - 10 mm Thickness	
	66814-001	13.2K • 14.6K	1	b	64536-035	7.8" Ride Height - 35 mm Thickness	
		• Right Hand		b	64536-060	8.5" • 8.8" Ride Height - 60 mm Thickness	
	64516-002	10K	1	b	64536-085	9.8" Ride Height - 85 mm Thickness	
	66814-002	13.2K • 14.6K	1			• Right Hand	
62		Dowel Pin	2	c	64536-025	7.8" Ride Height - 25 mm Thickness	
		6.8" Ride Height	None Req.	c	64536-050	8.5" Ride Height - 50 mm Thickness	
	18831-022	7.8" Ride Height - 1 1/8" Length		c	64536-075	9.8" Ride Height - 75 mm Thickness	
	18831-021	8.5" • 8.8" Ride Height - 2" Length					
	18831-023	9.8" Ride Height - 3" Length					

■ STEERTEK NXT Axle Selection Guide

	Ackermann	Brake Type	STEERTEK NXT Assembly		Lower Steering Knuckle Assembly		Upper Steering Knuckle Assembly	
			Vehicles Built		Left Hand	Right Hand	Left Hand	Right Hand
			After May 2017	Prior to May 2017				
10K	200"	Air	—	68987-007	58900-233	58900-234	60903-216	60904-202
	250"		—	68987-008	58900-231	58900-232		
	200"	Hydraulic	—	68987-011	58900-253	58900-254		
	250"		—	68987-012	58900-251	58900-252		
	200"	Air	68987-053	68987-045	58900-233	58900-234	60903-252	
	250"		68987-054	68987-046	58900-231	58900-232		
	200"	Hydraulic	68987-055	68987-047	58900-253	58900-254		
	250"		68987-056	68987-048	58900-251	58900-252		

	Ackermann	Brake Type	Axle Drop		Left Hand	Right Hand	Left Hand	Right Hand
			4.25"	5.36"				
			13.2K	150"				
200"	68987-028	68987-034		58900-233	58900-234			
250"	68987-029	68987-035		58900-231	58900-232			
150"	Hydraulic	68987-030		68987-036	58900-255	58900-256		
200"		68987-031		68987-037	58900-253	58900-254		
250"		68987-032		68987-038	58900-251	58900-252		

14.6K	150"	Air Disc	68987-021	68987-015	58900-235	58900-236	60903-255	60904-202
	200"		68987-022	68987-016	58900-233	58900-234		
	250"		68987-023	68987-017	58900-231	58900-232		
	150"	Hydraulic	68987-024	68987-018	58900-255	58900-256		
	200"		68987-025	68987-019	58900-253	58900-254		
	250"		68987-026	68987-020	58900-251	58900-252		



■ Tie Rod Selection Guide

		Axle Model	Ackermann	Tie Rod Assembly Part No.	Tie Rod End Part No.	Tie Rod End Service Kit No.		
8.5K - 10K	Drop Tie Rods - 1 1/4" Threads	Vehicles built after March 2014						
		STEERTEK NXT	150 / 200	76878-003	76875-001 (LH) 76875-002 (RH)	60961-737 (Axle Set) 60961-739 (LH) 60961-740 (RH)		
			250	76878-001				
		*Vehicles built prior to March 2014						
	STEERTEK NXT STEERTEK	150 / 200	66699-003	◆ Tie rod end kits are no longer available for these assembly numbers, requires complete tie rod assembly replacement.	76878-003			
		250	66699-001		76878-001			
		150 / 200	59948-005		76878-003			
		250	59948-006		76878-001			

		Axle Model	Ackermann	Tie Rod Assembly Part No.	Tie Rod End Part No.	Tie Rod End Service Kit No.		
13.2K	Straight Tie Rods - 1 1/8" Threads	Vehicles built after March 2014						
		STEERTEK NXT	150	76877-004	70995-001 (LH) 70995-002 (RH)	60961-734 (Axle Set) 60961-736 (LH) 60961-741 (RH)		
			200	76877-005				
			250	76877-001				
	250		76877-006					
	*Vehicles built prior to March 2014							TIE ROD ASSEMBLY REPLACEMENT PART NO.
	STEERTEK NXT STEERTEK	150	60239-004	◆ Tie rod end kits are no longer available for these assembly numbers, requires complete tie rod assembly replacement.	76877-004			
		200	60239-005		76877-005			
250		60239-001	76877-001					
250		60239-006	76877-006					

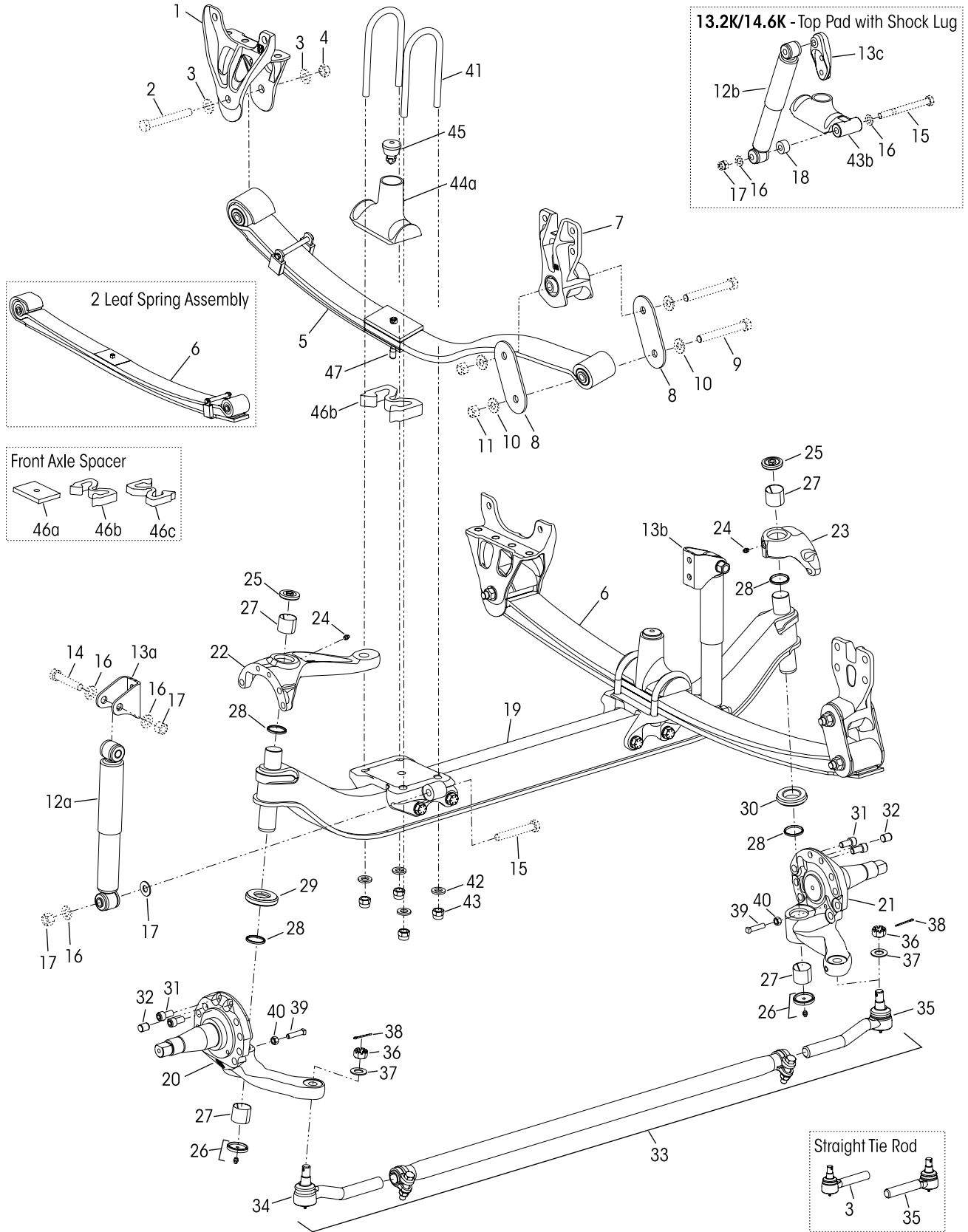
		Axle Model	Ackermann	Tie Rod Assembly Part No.	Tie Rod End Part No.	Tie Rod End Service Kit No.		
14.6K	Straight Tie Rods - 1 1/4" Threads	Vehicles built after March 2014						
		STEERTEK NXT	150	76879-001	76876-001 (LH) 76876-002 (RH)	60961-735 (Axle Set) 60961-742 (LH) 60961-743 (RH)		
			◆◆200 / 250	76879-002				
	250		76879-003					
	Vehicles built prior to March 2014							
	STEERTEK NXT STEERTEK	150	64006-001	64002-001 (LH) 64002-002 (RH)	60961-011 (Axle Set) 60961-027 (LH) 60961-028 (RH)			
		◆◆200 / 250	64006-002					
		250	64006-003					

NOTE:◆ Hendrickson supplies various tie rod assemblies. **Locate the TIE ROD ASSEMBLY part number on the tie rod tube** to help determine what tie rod end kit or complete tie rod assembly replacement to use for service as shown in the Tie Rod Selection Guide.

◆◆ For 68987-018 and 68987-024 Axle Assembly.

SOFTEK® with STEERTEK™ NXT axle built after October 2012

Vision Buses – 8.5K • 10K Capacity | All American Buses – 13.2K • 14.6K Capacity





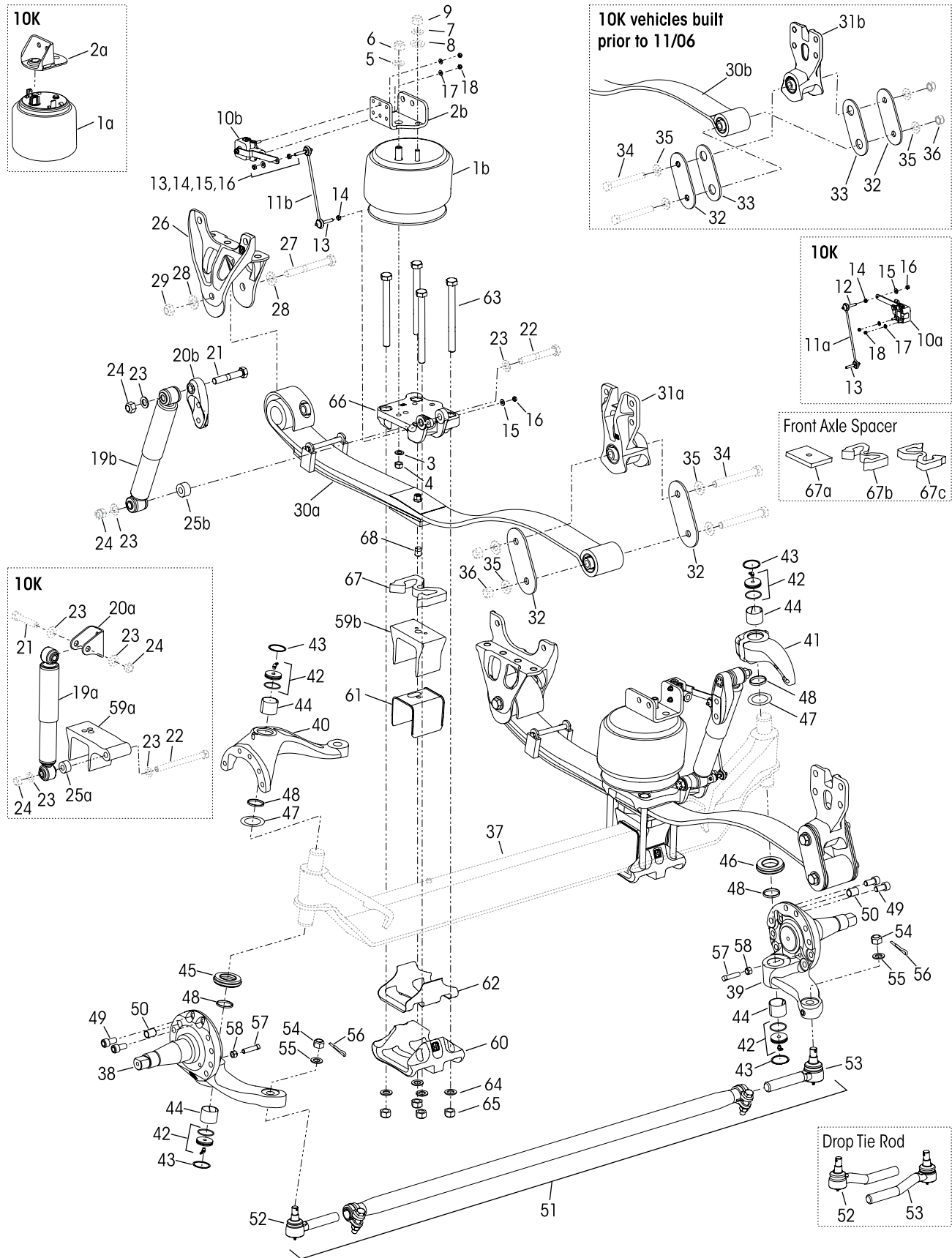
SOFTEK® with STEERTEK™ NXT Axle for Blue Bird Buses

KEY NO.	PART NO.	DESCRIPTION	VEHICLE QTY.	KEY NO.	PART NO.	DESCRIPTION	VEHICLE QTY.
1	64488-002	Front Frame Hanger	2			Thrust Bearing Service Kits	
2		**M20 x 170 mm Hex Bolt	2	60961-631		Axle Set , Includes Kit Nos. 60961-632 & -633	
3		**M20 Hardened Washer	4	60961-632		Left Hand Composite Thrust Bearing , Includes Key Nos. 28-29, 31 & Loctite	
4		**M20 Locknut	2	60961-633		Right Hand Roller Thrust Bearing , Includes Key Nos. 28, 30-31 & Loctite	
		Leaf and ½ Spring Assembly Service Kits , for vehicles built after June 2020		28	68731-000	Kingpin Seal	4
	34013-428	Axle Set, 8.5K, Includes Key Nos. 5a, 7-8		29	59828-000	Left Hand Composite Thrust Bearing	1
	34013-429	Axle Set, 10K, Includes Key Nos. 5b, 7-8		30	64256-000L	Right Hand Roller Thrust Bearing	1
5		Leaf and ½ Spring Assembly	2	31	60236-001	¾" Socket Head Cap Screw	4
		***Vehicles built after June 2020		Not Shown	60937-000	Loctite® (Red) Compound Tube	1
a	82586-000	8.5K		32	64246-000	ABS Sensor Sleeve	2
b	82585-000	10K		33		Tie Rod Assembly, Includes Key Nos. 34-36, <i>See Selection Guide on Page 5</i>	1
		2-leaf Spring Assembly Service Kits , for vehicles built prior to June 2020				Tie Rod End Service Kits , <i>See Selection Guide on Page 5</i>	
	60961-161	Axle Set, 8.5K, Includes Key Nos. 6a, 7-8				Axle Set , Includes LH and RH Kits	
	60961-162	Axle Set, 10K, Includes Key Nos. 6b, 7-8				Left Hand , Includes Key Nos. 34, 36-38	
6		2-Leaf Spring Assembly				Right Hand , Includes Key Nos. 35-38	
		***Vehicles built prior to June 2020				Tie Rod End, Includes Key No. 36	
a	53627-000	8.5K, Replaces 66623-001		34		Left Hand, <i>See Selection Guide on Page 5</i>	1
b	53624-000	10K, Replaces 66624-001		35		Right Hand, <i>See Selection Guide on Page 5</i>	1
c	53625-000	13.2K, Replaces 66625-001		36		**¾" Castle Nut	2
d	53626-000	14.6K, Replaces 66626-001		37	22962-007	⅞" Flat Washer	2
	60961-643	Rear Shackle Service Kit, Axle Set , Includes Key Nos. 7-8		38	17800-004	Tie Rod Nut Cotter Pin	2
7	66510-001	Rear Shackle Bracket	2		60961-069	Stop Bolt Service Kit, One Side , Includes Key Nos. 39-40	
8	64314-000	Rear Shackle Plate	4	39	60238-001	½"-13 UNC Square Head Bolt	2
9		**M20 x 150 mm Hex Bolt	4	40	60240-000	½"-13 UNC Hex Jam Nut	2
10		**M20 Hardened Washer	8			Clamp Group Service Kit , Includes Key Nos. 41-43	
11		**M20 Locknut	4			• Axle Set	
12		Shock Absorber	2	60961-669		6.5" • 6.8" Ride Height	
a	58913-009L	8.5K • 10K		60961-670		7.8" Ride Height	
b	58913-010L	13.2K • 14.6K		60961-671		8.5" • 8.8" Ride Height	
13		Shock Absorber Bracket	2	60961-672		9.8" Ride Height	
a	59423-032	8.5K • 10K, vehicles built after June 2020			34013-368	6.5" • 6.8" Ride Height	
b	59423-002	8.5K • 10K, vehicles built prior to June 2020			34013-369	7.8" Ride Height	
c	67463-002	13.2K • 14.6K			34013-370	8.5" • 8.8" Ride Height	
14		*¾"-10 UNC Upper Shock Bolt	2		34013-371	9.8" Ride Height	
15		*¾"-10 UNC Lower Shock Bolt	2			• One Side	
16		*¾" Hardened Washer	6			6.5" • 6.8" Ride Height	
17		*¾"-10 UNC Hex Locknut	4			7.8" Ride Height	
18		Shock Absorber Spacer	2			8.5" • 8.8" Ride Height	
	22962-046	8.5K • 10K (Flat Washer) - 0.118" Thick				9.8" Ride Height	
	59946-001	13.2K • 14.6K - ⅞" Thickness		41		¾"-16 UNF U-bolt	4
	68987-XXX	STEERTEK NXT Axle Assembly , Includes Key Nos. 19-40, <i>See Selection Guide on Page 4</i>	1		64804-065	6.5" • 6.8" Ride Height - 6½" Length	
19		Axle & Kingpin Assembly	1		64804-075	7.8" Ride Height - 7½" Length	
	68986-007M	8.5K • 10K, Vehicles built after May 2017			64804-085	8.5" • 8.8" Ride Height - 8½" Length	
	68986-001M	8.5K • 10K, Vehicles built prior to May 2017			64804-095	9.8" Ride Height - 9½" Length	
	68986-004M	13.2K Narrow		42	22962-001	¾" Flat Washer	8
	68986-003M	14.6K Wide		43	17700-035	¾"-16 UNF 2B Nylon Locknut	8
		Lower Steering Knuckle Assembly, Includes Key Nos. 26-28, 39-40, <i>See Selection Guide on Page 4</i>				Top Pad/Axle Stop Assembly, Includes Key Nos. 44-45	
20	58900-XXX	Left Hand	1		64506-000	8.5K • 10K	
21	58900-XXX	Right Hand	1		66806-001	13.2K • 14.6K	
		Upper Steering Knuckle Assembly, Includes Key Nos. 24-25 27-28, <i>See Selection Guide on Page 4</i>		44		Top Pad	2
22	60903-XXX	Left Hand	1	a	64519-000	8.5K • 10K	
23	60904-XXX	Right Hand	1	b	66666-000	13.2K • 14.6K	
		Kingpin Bushing and Bearing Service Kits		45	64080-000	Rubber Axle Stop	2
	60961-628	Axle Set , Includes Kit Nos. 60961-629 & -630		46		Front Axle Spacer	As Req.
	60961-629	Left Hand with Composite Thrust Bearing , Includes Key Nos. 24-29, 31 & Loctite		a	70105-010	LH 6.5" • 6.8" Ride Height - 10 mm Thickness	
	60961-630	Right Hand with Roller Thrust Bearing , Includes Key Nos. 24-28, 30-31 & Loctite		b	64536-035	LH 7.8" Ride Height - 35 mm Thickness	
24	33117-000	Grease Zerk	2	b	64536-060	LH 8.5" • 8.8" Ride Height - 60 mm Thickness	
25	68687-003	Grease Cap Assembly, Upper	2	b	64536-085	LH 9.8" Ride Height - 85 mm Thickness	
26	68687-002	Grease Cap Assembly, Lower	2	c	64536-025	RH 7.8" Ride Height - 25 mm Thickness	
27	58909-001	Kingpin Bushing	4	c	64536-050	RH 8.5" Ride Height - 50 mm Thickness	
				c	64536-075	RH 9.8" Ride Height - 75 mm Thickness	
				47		Dowel Pin	2
						6.8" Ride Height	None Req.
					18831-022	7.8" Ride Height - 1.13" Length	
					18831-021	8.5" • 8.8" Ride Height - 2" Length	
					18831-023	9.8" Ride Height - 3" Length	



AIRTEK® with STEERTEK™ axle built prior to October 2012

Vision Buses – 10K Capacity | All American Buses – 13.2K • 14.6K Capacity





VEHICLE			VEHICLE				
KEY NO.	PART NO.	DESCRIPTION	QTY.	KEY NO.	PART NO.	DESCRIPTION	QTY.
1		Air Spring	2		68987-XXX	STEERTEK NXT Axle Assembly, <i>See Page 2 for included parts, Replaces STEERTEK Axle 60952-XXX, Includes Key Nos. 30-55</i>	1
a	64075-002L	10K					
b	66865-002L	13.2K • 14.6K					
2		Air Spring Bracket	2	37	64905-XXX	*****Axle & Kingpin Assembly <i>No longer available, see Replacement Guide on Page 11</i>	1
a	60850-001	10K					
b	66807-002	13.2K • 14.6K, <i>Replaces 66807-001</i>					
3		**1/2" Hardened Washer	2	38		Left Hand Lower Steering Knuckle Assembly Includes Key Nos. 37, 41	1
4		**1/2"-13 UNC Nylon Locknut	2		58900-035	150 Ackermann Air Brake, Includes Key No. 43	
5		**3/4" Hardened Washer	2		58900-033	200 Ackermann Air Brake, Includes Key No. 43	
6		**3/4"-16 UNF Nylon Locknut	2		58900-031	250 Ackermann Air Brake, Includes Key No. 43	
7		**Hardened Washer	2		58900-055	150 Ackermann Hydraulic Brake	
8		**Wide Hardened Washer	2		58900-053	200 Ackermann Hydraulic Brake	
9		**1/2"-13 UNC Nylon Locknut	2		58900-051	250 Ackermann Hydraulic Brake	
	59427-008	Height Control Valve, Link Mount and Linkage Assembly 10K, Includes Key Nos. 10a, 11a, 12-18	1	39		Right Hand Lower Steering Knuckle Assembly Includes Key Nos. 37, 41	1
	59013-000	*****Height Control Valve Assembly 13.2K • 14.6K, Includes Key Nos. 10b, 17-18	2		58900-036	150 Ackermann Air Brake, Includes Key No. 43	
	66825-001	Height Control Valve Linkage Assembly 13.2K • 14.6K, Includes Key Nos. 11b, 13-16	2		58900-034	200 Ackermann Air Brake, Includes Key No. 43	
10		Height Control Valve			58900-032	250 Ackermann Air Brake, Includes Key No. 43	
a	59935-004	10K	1		58900-056	150 Ackermann Hydraulic Brake	
b	60501-000	13.2K•14.6K	2		58900-054	200 Ackermann Hydraulic Brake	
11		HCV Linkage Assembly			58900-052	250 Ackermann Hydraulic Brake	
a	59428-001	10K	1	40		Left Hand Upper Steering Knuckle Assembly Includes Key Nos. 37, 41	1
b	59428-005	13.2K•14.6K	2		60903-016	10K	
12	59169-000	*5/16"-18 UNC Stud - 2.07"	1		60903-058	13.2K	
13	59169-003	*5/16"-18 UNC Stud - 2.44"	1		60903-055	14.6K	
14	17491-011	*5/16"-18 UNC Hex Nut	2	41	60904-002	Right Hand Upper Steering Knuckle Assembly Includes Key Nos. 37, 41	1
15	22962-029	*5/16" Hardened Washer	2			Kingpin Bushing and Bearing Service Kits	
16	59016-000	*5/16"-18 UNC Locknut	2		60961-040	Axle Set , Includes Kit Nos. 60961-009 & -039	
17	22962-028	*1/4" Hardened Washer	2		60961-009	Left Hand with Composite Thrust Bearing , Includes Key Nos. 35-38, 40-42, Loctite	
18	49983-000	*1/4"-20 UNC Locknut	2		60961-039	Right Hand with Roller Thrust Bearing , Includes Key Nos. 35-37, 39-42, Loctite	
19		Shock Absorber	2	42	59156-000	Grease Cap Assembly	4
a	58913-009L	10K, <i>Replaces 58913-008</i>		43	58937-000	Retaining Ring	4
b	58913-011L	13.2K•14.6K		44	58909-000	Kingpin Bushing	4
20		Shock Bracket	2			Thrust Bearing Service Kits	
a	59423-002	10K			60961-043	Axle Set , Includes Kit Nos. 60961-632 & -633	
b	67463-002	13.2K•14.6K, <i>Replaces 65000-002</i>			60961-041	Left Hand Composite Thrust Bearing , Includes Key Nos. 38, 40-42, Loctite	
21		**3/4"-10 UNC Upper Shock Bolt	2		60961-042	Right Hand Roller Thrust Bearing , Includes Key Nos. 39-42, Loctite	
22		**3/4"-10 UNC Lower Shock Bolt	2	45	59828-000	Left Hand Composite Thrust Bearing	1
23		**3/4" Hardened Washer	8	46	64256-000L	Right Hand Roller Thrust Bearing	1
24		**3/4"-10 UNC Hex Locknut	4	47		Kingpin Shim	As Req.
25		Shock Spacer	2		60259-001X	0.005" Thickness (Pack of 4)	
a	59946-001	10K - 0.9" Thick			60259-002	0.047" Thickness	
b	59946-006	13.2K•14.6K - 0.5" Thick		48	58910-001	Kingpin Seal, <i>Replaces 58910-000</i>	4
26	64488-002	Front Hanger, <i>Replaces 64488-000</i>	2	49	60236-001	5/8"-11 UNC Socket Head Cap Screw	4
27		**M20 x 170 mm Hex Bolt	2	Not Shown	60937-000	Loctite (Red) Compound Tube	1
28		**M20 Hardened Washer	4	50	64246-000	ABS Sensor Sleeve	2
29		**M20 Locknut	2	51		Tie Rod Assembly, 10K, 5.36" Drop, Includes Key Nos. 52-54, <i>See Selection Guide on Page 5</i>	1
	60961-163	Leaf Spring Assembly Service Kit, Axle Set , Includes Key Nos. 30a, 31a, 32				Tie Rod End Service Kits , <i>See Selection Guide on Page 5</i>	
30		Leaf Spring Assembly	2			Axle Set , Includes Left Hand and Right Hand Kits	
a	53487-000	For vehicles built after 11/06, <i>Replaces 66805-001</i>				Left Hand , Includes Key Nos. 52, 54-56	
b	60512-000	For vehicles built prior to 11/06				Right Hand , Includes Key Nos. 53-56	
	60961-643	Rear Shackle Service Kit, Axle Set , Includes Key Nos. 31a, 32		52		Left Hand	1
31		Rear Shackle Bracket	2	53		Right Hand	1
a	66510-001	For vehicles built after 11/06		54		*7/8" Castle Nut	2
b	64316-000	For vehicles built prior to 11/06		55	22962-007	7/8" Flat Washer	2
32	64314-000	Rear Shackle Plate	4	56	17800-004	Tie Rod Nut Cotter Pin	2
33	64159-000	Thrust Washer 10K, Only for vehicles built prior to 11/06	4				
34		**M20 x 150 mm Hex Bolt	4				
35		**M20 Hardened Washer	8				
36		**M20 Locknut	4				



KEY NO.	PART NO.	DESCRIPTION	VEHICLE QTY.	KEY NO.	PART NO.	DESCRIPTION	VEHICLE QTY.
	60961-069	Stop Bolt Service Kit, One Side, Includes Key Nos. 57-58		66		Top Pad	
57	60238-001	½"-13 UNC Square Head Bolt	2		64516-001	Left Hand - 10K	1
58	60240-000	½"-13 UNC Hex Jam Nut	2		64516-002	Right Hand - 10K	1
59		Top Axle Wrap	2		66814-001	****Left Hand - 13.2K•14.6K	1
a	59952-003	10K			66814-002	****Right Hand - 13.2K•14.6K	1
b	59952-026	13.2K•14.6K		67		Front Axle Spacer	As Req.
60	64722-003	Bottom Axle Wrap	2	a	70105-010	LH 6.5" • 6.8" Ride Height - 10 mm Thickness <i>Replaces 64536-010</i>	
	60961-015	Top/Bottom Axle Wrap Liner Service Kit, One Side, Includes Key Nos. 61-62		b	64536-035	LH 7.8" Ride Height - 35 mm Thickness	
61	60508-000	Top Axle Wrap Liner	2	b	64536-060	LH 8.5" • 8.8" Ride Height - 60 mm Thickness	
62	59845-000	Bottom Axle Wrap Liner	2	b	64536-085	LH 9.8" Ride Height - 85 mm Thickness	
	60961-XXX	Clamp Group Service Kit, Axle Set, Includes Key Nos. 63-65, <i>See Replacement Guide on Page 11</i>		c	64536-025	RH 7.8" Ride Height - 25 mm Thickness	
63	21867-XXX	¾"-16 UNF Hex bolt, <i>see Replacement Guide on Page 11</i>	8	c	64536-050	RH 8.5" Ride Height - 50 mm Thickness	
64	22962-001	¾" Flat Washer	8	c	64536-075	RH 9.8" Ride Height - 75 mm Thickness	
65	17700-035	¾"-16 UNF 2B Nylon Locknut	8	68		Dowel Pin	2
						6.8" Ride Height	None Req.
					18831-022	7.8" Ride Height - 1.13" Length	
					18831-021	8.5 • 8.8" Ride Height - 2" Length	
					18831-023	9.8" Ride Height - 3" Length	



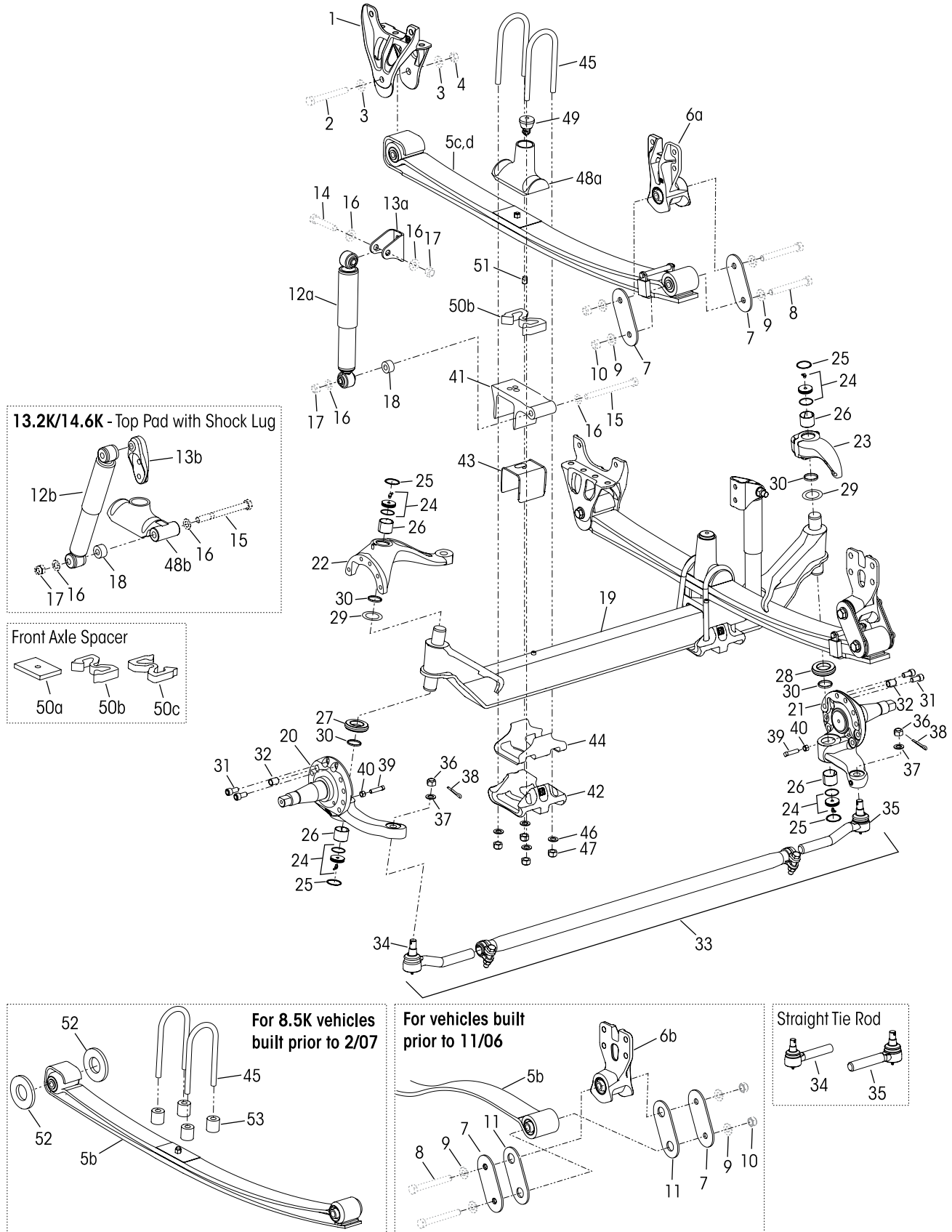
■ STEERTEK Axle Replacement Guide

	Page No.	Axle Rating	Ride Height	Axle & Kingpin Assembly		Clamp Group Bolt				Clamp Group Replacement Kits
				Discontinued July 2019	STEERTEK NXT New	Current	Length	New	Length	
AIRTEK	8	10K	6.5"	64905-004M	68986-007M	21867-044	10"	21867-036	5"	60961-673
			8.5"			21867-045	12"	21867-006	7"	60961-674
		13.2K 14.6K	6.8"	64905-002M 64905-007M	68986-005M 68986-002M	21867-044	10"	21867-036	5"	60961-673
			7.8"			21867-027	11"	21867-007	6"	60961-692
			8.8"			21867-045	12"	21867-006	7"	60961-674
			9.8"			21867-035	13"	21867-004	8"	60961-693
SOFTEK	12	8.5K 10K	6.5"	64905-004M	68986-007M	64804-110	11"	64804-065	6.5"	60961-669
			8.5"			64804-130	13"	64804-085	8.5"	60961-671
	12	13.2K 14.6K	6.8"	64905-002M 64905-005M	68986-004M 68986-003M	64804-120	12"	64804-065	6.5"	60961-669
			7.8"			64804-130	13"	64804-075	7.5"	60961-670
			8.8"			64804-140	14"	64804-085	8.5"	60961-671
			9.8"			64804-150	15"	64804-095	9.5"	60961-672



SOFTEK® with STEERTEK axle built PRIOR to October 2012

Vision Buses – 8.5K • 10K Capacity | All American Buses – 13.2K • 14.6K Capacity





SOFTEK® with STEERTEK™ Axle for Blue Bird Buses

VEHICLE				VEHICLE			
KEY NO.	PART NO.	DESCRIPTION	QTY.	KEY NO.	PART NO.	DESCRIPTION	QTY.
1	64488-002	Front Hanger, <i>Replaces 64488-000</i>	2			Kingpin Bushing and Bearing Service Kits	
2		**M20 x 170 mm Hex Bolt	2	60961-040		Axle Set , Includes Kit Nos. 60961-009 & -039	
3		**M20 Hardened Washer	4	60961-009		Left Hand with Composite Thrust Bearing ,	
4		**M20 Locknut	2			Includes Key Nos. 24-27, 29-31, Loctite	
5		Leaf Spring Assembly	2	60961-039		Right Hand with Roller Thrust Bearing ,	
		• Vehicles built after 11/06				Includes Key Nos. 24-26, 28-31, Loctite	
a	53627-000	8.5K, <i>Replaces 66623-001</i>		24	59156-000	Grease Cap Assembly	4
b	53624-000	10K, <i>Replaces 66624-001</i>		25	58937-000	Retaining Ring	4
c	53625-000	13.2K, <i>Replaces 66625-001</i>		26	58909-000	Kingpin Bushing	4
d	53626-000	14.6K, <i>Replaces 66626-001</i>				Thrust Bearing Service Kits	
e		• Vehicles built prior to 11/06, <i>Component no longer available. Replacement requires for both the leaf spring assembly and rear shackle bracket to be upgraded to 11/06 configuration</i>		60961-043		Axle Set , Includes Kit Nos. 60961-632 & -633	
		8.5K, Replace with 53627-000 and 66510-001		60961-041		Left Hand Composite Thrust Bearing , Includes	
		10K, Replace with 53624-000 and 66510-001				Key Nos. 27, 29-31, Loctite	
	60961-643	Rear Shackle Service Kit, Axle Set , Includes Key Nos. 6a, 7		60961-042		Right Hand Roller Thrust Bearing , Includes	
6		Rear Shackle Bracket	2			Key Nos. 28-31, Loctite	
a	66510-001	8.5K • 10K, For vehicles built after 11/06		27	59828-000	Left Hand Composite Thrust Bearing	1
		13.2K • 14.6K		28	64256-000L	Right Hand Roller Thrust Bearing	1
b	64316-000	8.5K • 10K, For vehicles built prior to 11/06		29		Kingpin Shim	As Req.
7	64314-000	Rear Shackle Plate	4			60259-001X 0.005" Thickness (Pack of 4)	
8		**M20 x 150 mm Hex Bolt	4			60259-002 0.047" Thickness	
9		**M20 Hardened Washer	8	30	58910-001	Kingpin Seal, <i>Replaces 58910-000</i>	4
10		**M20 Locknut	4	31	60236-001	3/8"-11 UNC Socket Head Cap Screw	4
11	64159-000	Thrust Washer	4	Not Shown	60937-000	Loctite (Red) Compound Tube	1
		Only for vehicles built prior to 11/06		32	64246-000	ABS Sensor Sleeve	2
12		Shock Absorber	2	33		Tie Rod Assembly, 8.5K • 10K, 5.36" Drop,	1
a	58913-009L	8.5K • 10K, <i>Replaces 58913-007</i>				Includes Key Nos. 34-36, <i>See Selection Guide on Page 5</i>	
b	58913-010	13.2K • 14.6K				Tie Rod End Service Kits , <i>See Selection Guide on Page 5</i>	
13		Shock Absorber Bracket	2			Axle Set , Includes Left Hand and RH Kits	
a	59423-002	8.5K • 10K				Left Hand , Includes Key Nos. 35, 37-38	
b	67463-002	13.2K • 14.6K, <i>Replaces 65000-002</i>				Right Hand , Includes Key Nos. 36-38	
14		*3/4"-10 UNC Upper Shock Bolt	2			Tie Rod End, Includes Key No. 36, <i>See Selection Guide on Page 5</i>	
15		*3/4"-10 UNC Lower Shock Bolt	2	34		Left Hand	1
16		*3/4" Hardened Washer	8	35		Right Hand	1
17		*3/4"-10 UNC Hex Locknut	4	36		**7/8" Castile Nut	2
18	59946-001	Shock Absorber Spacer	2	37	22962-007	7/8" Flat Washer	2
	68987-XXX	STEERTEK NXT Axle Assembly, <i>See Page 6 for included parts, replaces STEERTEK Axle 60952-XXX, Includes Key Nos. 19-44</i>	1	38	17800-004	Tie Rod Nut Cotter Pin	2
19	64905-004	*****Axle & Kingpin Assembly	1			60961-069 Stop Bolt Service Kit, One Side ,	
		<i>No longer available, see Replacement Guide on Page 11</i>				Includes Key Nos. 39-40	
20		Left Hand Lower Steering Knuckle Assembly	1	39	60238-001	1/2"-13 UNC Square Head Bolt	2
		Includes Key Nos. 26, 30		40	60240-000	1/2"-13 UNC Hex Jam Nut	2
	58900-035	150 Ackermann Air Brake, Includes Key No. 32		41		Top Axle Wrap	2
	58900-033	200 Ackermann Air Brake, Includes Key No. 32				59952-003 8.5K • 10K	
	58900-031	250 Ackermann Air Brake, Includes Key No. 32				59952-026 13.2K • 14.6K	
	58900-055	150 Ackermann Hydraulic Brake		42		Bottom Axle Wrap	2
	58900-053	200 Ackermann Hydraulic Brake				60961-015 Top/Bottom Axle Wrap Liner Service Kit,	
	58900-051	250 Ackermann Hydraulic Brake				One Side , Includes Key Nos. 43-44	
21		Right Hand Lower Steering Knuckle Assembly	1	43	60508-000	Top Axle Wrap Liner	2
		Includes Key Nos. 26, 30		44	59845-000	Bottom Axle Wrap Liner	2
	58900-036	150 Ackermann Air Brake, Includes Key No. 32				Clamp Group Service Kit, Axle Set ,	
	58900-034	200 Ackermann Air Brake, Includes Key No. 32				Includes Key Nos. 45-47, <i>See Selection Guide on Page 11</i>	
	58900-032	250 Ackermann Air Brake, Includes Key No. 32		45	64804-XXX	3/4"-16 UNF U-bolt, <i>see Selection Guide on Page 11</i>	4
	58900-056	150 Ackermann Hydraulic Brake		46	22962-001	3/4" Flat Washer	8
	58900-054	200 Ackermann Hydraulic Brake		47	17700-035	3/4"-16 UNF 2B Nylon Locknut	8
	58900-052	250 Ackermann Hydraulic Brake				Top Pad/Axle Stop Assembly,	
22		Left Hand Upper Steering Knuckle Assembly	1			Includes Key Nos. 48-49	
		Includes Key Nos. 26, 30				64506-000 8.5K • 10K	
	60903-016	8.5K • 10K				66806-001 13.2K • 14.6K	
	60903-058	13.2K		48		Top Pad	2
	60903-055	14.6K		a	64519-000	8.5K • 10K	
23	60904-002	Right Hand Upper Steering Knuckle Assembly	1	b	66666-000	13.2K • 14.6K	
		Includes Key Nos. 26, 30		49	64080-000	Rubber Axle Stop	2



KEY NO.	PART NO.	DESCRIPTION	VEHICLE QTY.	KEY NO.	PART NO.	DESCRIPTION	VEHICLE QTY.
50		Front Axle Spacer	As Req.	51		Dowel Pin	2
a	70105-010	LH 6.5" • 6.8" Ride Height - 10 mm Thickness <i>Replaces 64536-010</i>				6.8" Ride Height	None Req.
b	64536-035	LH 7.8" Ride Height - 35 mm Thickness			18831-022	7.8" Ride Height - 1.13" Length	
b	64536-060	LH 8.5" • 8.8" Ride Height - 60 mm Thickness			18831-021	8.5 • 8.8" Ride Height - 2" Length	
b	64536-085	LH 9.8" Ride Height - 85 mm Thickness			18831-023	9.8" Ride Height - 3" Length	
c	64536-025	RH 7.8" Ride Height - 25 mm Thickness		52	66164-000	Thrust Pad Washer For 8.5K vehicles built prior to 2/07	4
c	64536-050	RH 8.5" Ride Height - 50 mm Thickness		53	66366-001	Clamp Group Spacer For 8.5K vehicles built prior to 2/07	8
c	64536-075	RH 9.8" Ride Height - 75 mm Thickness					



■ Special Tool

KINGPIN BUSHING TOOL – ADJUSTABLE STRAIGHT FLUTE REAMER

The dimension of cutting diameter must facilitate a range of **1.802"-1.812"**



NOTES: * Item included in kit/assembly only, part not sold separately.

** Not supplied by Hendrickson, used for reference only. Hendrickson is not responsible for components supplied by the vehicle manufacturer. For assistance with maintenance and rebuild instructions on these components see vehicle manufacturer.

*** In June 2020, 8.5K and 10K capacity vehicles the 2-leaf spring assemblies were updated with leaf and half spring assemblies. To perform component replacement for vehicles built prior to June 2020, the option to replace the as-equipped leaf assemblies is still available or, to update with the leaf and half spring assembly is acceptable, although the update will require that both leaf spring assemblies be replaced.

**** Replacement of both left hand and right hand Top Pad is required when servicing the Top Pad Part No. 66814-001/ -002 on AIRTEK with 13.2K • 14.6K capacity built PRIOR to October 2012 (Key No. 66 on Page 8).

***** When servicing Height Control Valve Assembly on AIRTEK with 13.2K • 14.6K capacity

- Built BETWEEN October 2012 and November 2013 – replace the height control valve assembly with 59013-000.
- Built AFTER November 2013 – replace the HCV assembly with 59013-001.

***** Effective July 2019 STEERTEK axles for Blue Bird will no longer be available for service, see Replacement Guide on Page 11. Axle replacement with a STEERTEK NXT axle assembly is required. For more information, contact Hendrickson Tech Services.

This is a general parts list to provide directional information. Components may vary by model. Questions in regards to parts, contact Hendrickson Truck Parts at 1.866.755.5968 (Toll-free U.S. and Canada), 630.910.2800 (Outside U.S. and Canada) or email: truckparts@hendrickson-intl.com.
Actual product performance may vary depending upon vehicle configuration, operation, service and other factors.
All applications must comply with applicable Hendrickson specifications and must be approved by the respective vehicle manufacturer with the vehicle in its original, as-built configuration.
Contact Hendrickson for additional details regarding specifications, applications, capacities, and operation, service and maintenance instructions.

Call Hendrickson at 1.866.755.5968 (toll-free) or 1.630.910.2800 for additional information.



www.hendrickson-intl.com

TRUCK COMMERCIAL VEHICLE SYSTEMS
800 South Frontage Road
Woodridge, IL 60517-4904 USA
1.866.755.5968 (Toll-free U.S. and Canada)
1.630.910.2800 (Outside U.S. and Canada)
Fax 1.630.910.2899

SP-172 Rev J 12-20

© 2003-2020 Hendrickson USA, L.L.C. All Rights Reserved. All trademarks shown are owned by Hendrickson USA, L.L.C., or one of the affiliates, in one or more countries.
Information contained in this literature was accurate at the time of publication. Product changes may have been made after the copyright date that are not reflected.

Printed in United States of America