

HHT™ SERIES

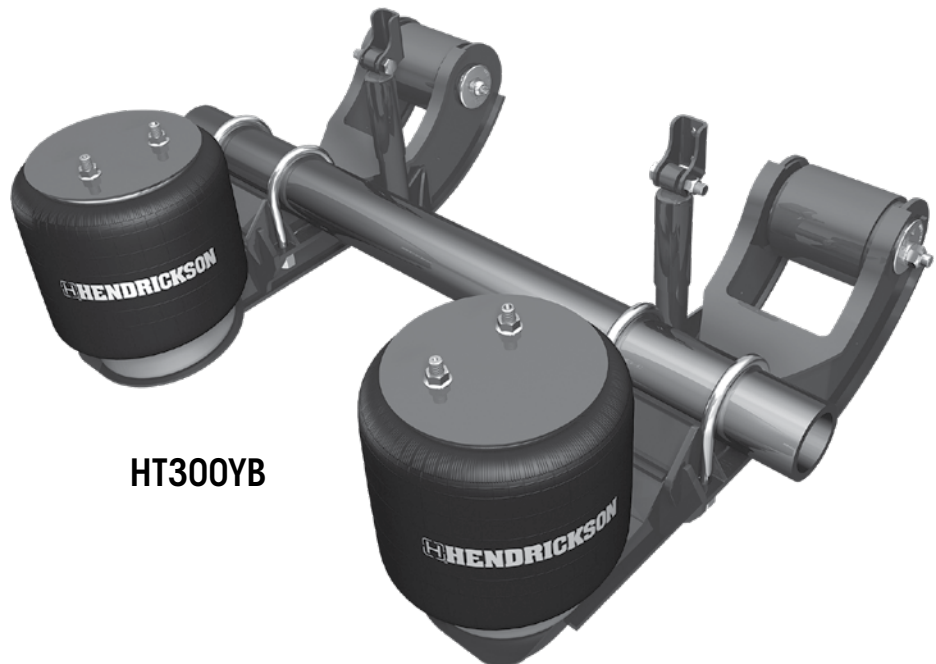
HT250YS AND HT300YB Y-BEAM SPECIFICATIONS

LIT NO: L1186

DATE: February 2020 REVISION: C





HT250YS



HT300YB

HT250YS AND HT300YB Y-BEAM SPECIFICATIONS



| | | |
|-------------------------------|--|---|
| |  HT250YS |  HT300YB |
| CAPACITY¹ | 25,000 lbs. (11 300 kg) | 30,000 lbs. (13 600 kg) |
| TRAILER TYPES | Lowboy / Drop Deck Specialty Trailers | |
| AXLE DATA | 5-inch diameter round, 5/8-inch min. wall ² , 12.25-inch, 15-inch or 16.5-inch drum brakes | |
| AXLE ARRANGEMENT | Used as lead axle in conjunction with HT250US or HT300US tandem, tri or quad. | |
| FRAME TYPES | Steel | |
| BASE MODEL DESCRIPTION | HT™ Series Y-beam suspension, standard travel, weld-on with QUIK-ALIGN® and forward mount standard shocks. | |
| OTHER OPTIONS | Additional options include high pressure air springs, rotated air springs and shock straps. Contact your Hendrickson representative to discuss these product options. ⁵ | |

SPECIFICATIONS

SUSPENSION — HT250YS (BASE MODELS³)

| RIDE HEIGHT (inches) | JOUNCE (inches) | REBOUND (inches) | WEIGHT ⁴ (pounds) |
|----------------------|-----------------|------------------|------------------------------|
| 6.5 | 3.4 | 4.5 | 417 |
| 7.5 | 3.9 | 4.5 | 417 |
| 9.0 | 4.8 | 4.5 | 417 |

SUSPENSION — HT300YB (BASE MODELS³)

| RIDE HEIGHT (inches) | JOUNCE (inches) | REBOUND (inches) | WEIGHT ⁴ (pounds) |
|----------------------|-----------------|------------------|------------------------------|
| 6.5 | 3.6 | 4.1 | 502 |
| 7.5 | 4.2 | 4.1 | 502 |
| 9.0 | 5.0 | 4.1 | 502 |

¹ Capacity refers to suspension only rating. Ratings for axle, brakes and wheel-end components differ depending upon options chosen.

² Refer to Hendrickson's literature L980 for Hendrickson axle capacity rating recommendations. A thicker axle wall should be considered in more demanding applications.

³ Other models and options are available.

⁴ Weight shown does not include the axle.

⁵ Shock strap kit must be ordered separately from suspension. Contact Hendrickson for kit information.

SUSPENSION APPLICATION NOTE:

Care must be taken to ensure that any additional suspensions used on the same vehicle are compatible with the Y-beam suspension. HT™ SERIES HT250US suspensions are recommended for use with HT250YS suspensions. HT300US suspensions are recommended for use with HT300YB suspensions. For assistance, please contact your Hendrickson Trailer Commercial Vehicle Systems customer service representative.

Actual product performance may vary depending upon vehicle configuration, operation, service and other factors.

All applications must comply with applicable Hendrickson specifications and must be approved by the respective vehicle manufacturer with the vehicle in its original, as-built configuration. Contact Hendrickson for additional details regarding specifications, applications, capacities, and operation, service and maintenance instructions.

Call Hendrickson at 330.489.0045 or 866.RIDEAIR (743.3247) for additional information.



www.hendrickson-intl.com

TRAILER COMMERCIAL VEHICLE SYSTEMS

2070 Industrial Place SE
Canton, OH 44707-2641 USA
866.RIDEAIR (743.3247)
330.489.0045 • Fax 800.696.4416

Hendrickson Canada

250 Chrysler Drive, Unit #3
Brampton, ON Canada L6S 6B6
800.668.5360
905.789.1030 • Fax 905.789.1033

Hendrickson Mexicana

Circuito El Marqués Sur #29
Parque Industrial El Marqués
Pob. El Colorado, Municipio El Marqués,
Querétaro, México C.P. 76246
+52 (442) 296.3600 • Fax +52 (442) 296.3601