

H PARTS LIST

AIRTEK® Front Air Suspension with STEERTEK NXT Axle for Freightliner • Western Star (Sterling Vehicles built prior to 04/2009)

LIT NO: SP-169

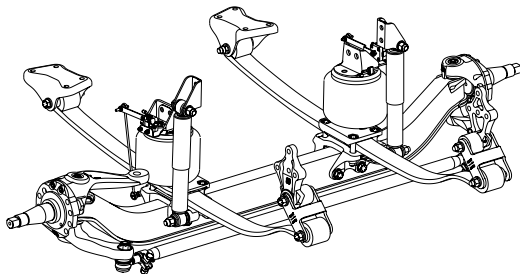
DATE: September 2019

REVISION: I

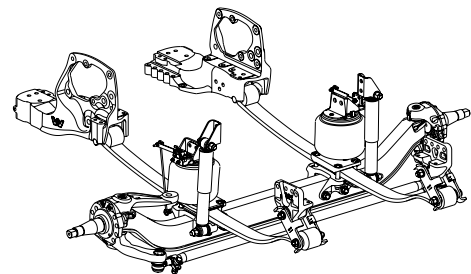
CONTENTS

DESCRIPTION	PAGE	DESCRIPTION	PAGE
AIRTEK® for Freightliner Vehicles		AIRTEK for Sterling Vehicles built prior to April 2009 . . .	10
■ Built after November 2011	2	STEERTEK Axle with Mechanical Suspension	14
■ Built between May 2010 and November 2011 . . .	6	Selection Guides	
■ Built prior to May 2010	10	■ Steering Knuckle Assemblies, Top Wrap, Dowel Pins, Front Axle Spacer	15
AIRTEK for Western Star Vehicles		■ Tie Rods	16
■ Built after November 2011	4	Notes	16
■ Built between June 2010 and November 2011 . . .	8		
■ Built prior to June 2010	10		

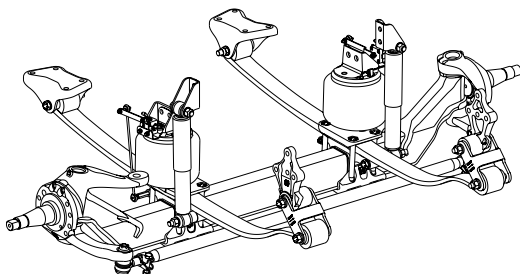
AIRTEK with STEERTEK NXT Axle – Freightliner



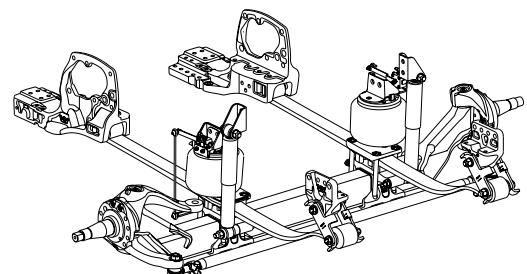
AIRTEK with STEERTEK NXT Axle – Western Star



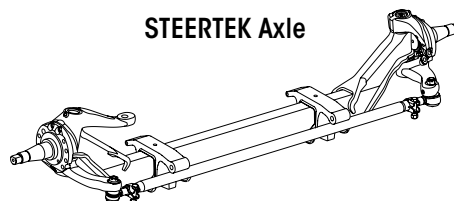
AIRTEK with STEERTEK Axle – Freightliner



AIRTEK with STEERTEK Axle – Western Star

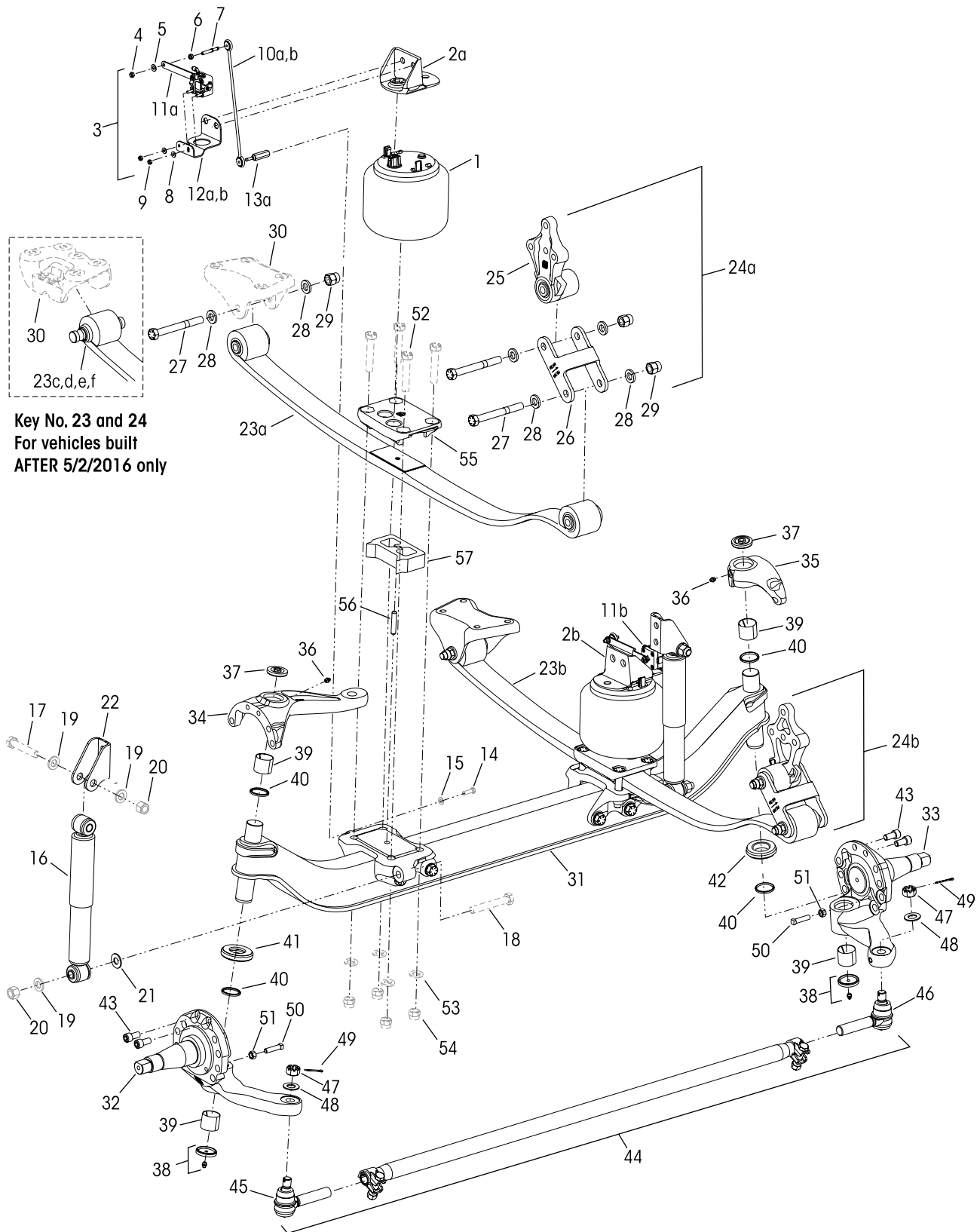


STEERTEK Axle





Models Cascadia and Coronado • Vehicles built after November 2011



Key No. 23 and 24
For vehicles built
AFTER 5/2/2016 only

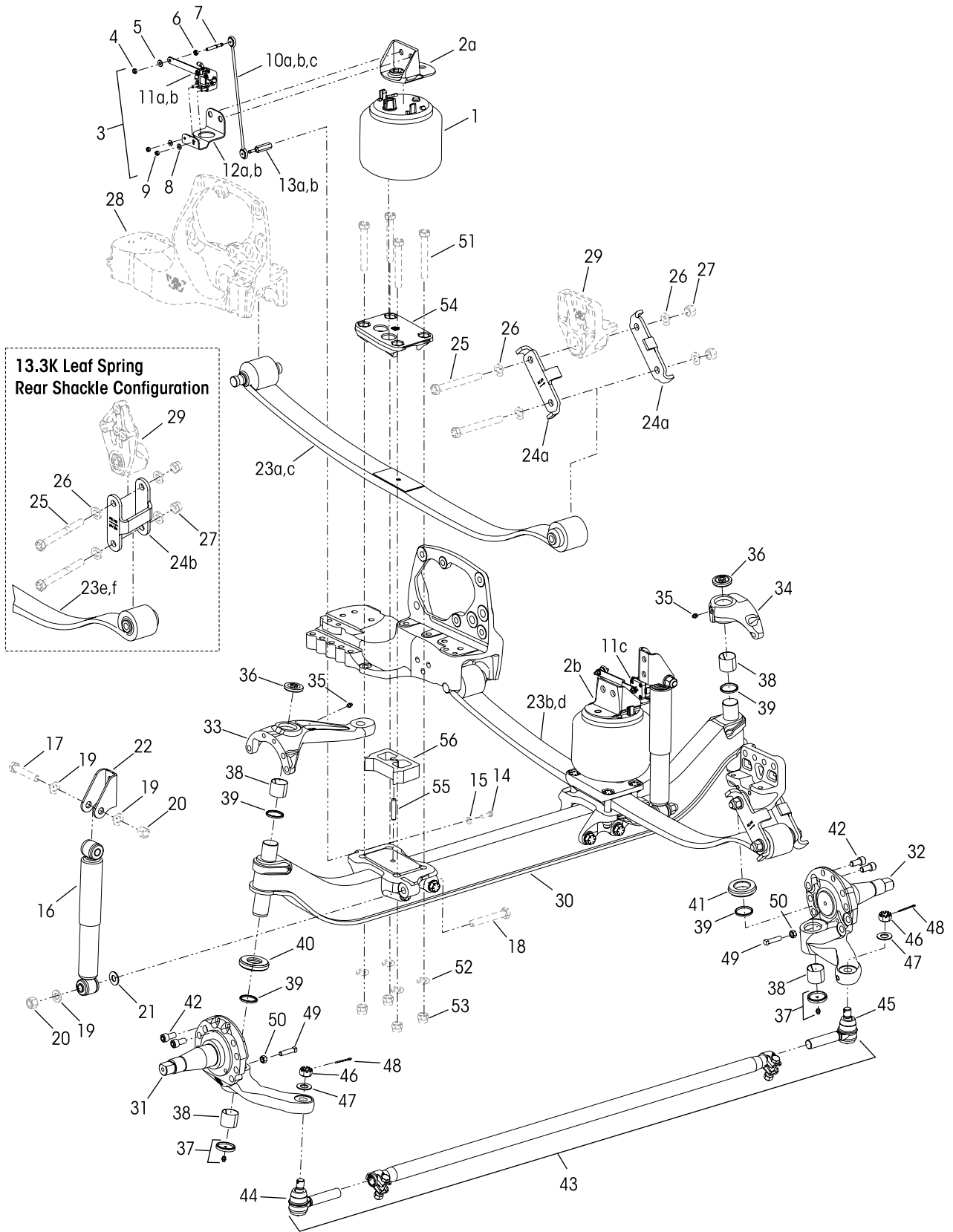


AIRTEK® for Freightliner – Vehicles built with STEERTEK NXT Axle after 11/2011

KEY NO.	PART NO.	DESCRIPTION	VEHICLE QTY.	KEY NO.	PART NO.	DESCRIPTION	VEHICLE QTY.
1	69116-002L	Air Spring	2	25		**Shackle Bracket with Bushing, <i>Replaces 68127-001</i>	2
2		Air Spring Bracket		26		**Shackle Plate, <i>Replaces 67754-004</i>	2
a	60850-001	Left Hand	1	27	68893-001	¾"-16 UNF x 6½" Bolt	6
b	60850-002	Right Hand	1	28	22962-044	¾" Washer (thick washer)	12
3		HCV & Linkage Assembly	1/1	29	68894-001	¾"-16 UNF Nylon Locknut	6
	59427-019L	Left Hand, Includes Key Nos. 4-9, 10a, 11a 4.25" Drop, 315 mm Ride Height 5.36" Drop, 280 mm Ride Height		30		*Freightliner Hanger, Left Hand / Right Hand	1/1
	59427-027L	Left Hand, Includes Key Nos. 4-9, 10b, 11a 4.25" Drop, 355 mm Ride Height 5.36" Drop, 315 mm Ride Height			68967-XXX	Axle Assembly, Includes Key Nos. 31-51, <i>Contact Hendrickson Truck Parts for specific Part Number</i>	1
	59427-034L	Right Hand, Includes Key Nos. 4-9, 10a, 11b 4.25" Drop, 315 mm Ride Height 5.36" Drop, 280 mm Ride Height		31		Axle & Kingpin Assembly	1
	59427-036L	Right Hand, Includes Key Nos. 4-9, 10b, 11b 4.25" Drop, 355 mm Ride Height 5.36" Drop, 315 mm Ride Height			68966-001M 68966-002M	4.25" Drop 5.36" Drop	
4	59016-000	5/16"-18 UNC-2B Locknut	2	32		Left Hand Lower Steering Knuckle Assembly	1
5	22962-029	5/16" Flat washer	2		58900-401 58900-403 58900-405	250 Ackermann 200 Ackermann 150 Ackermann	
6	17491-011	5/16"-18 UNC Nut	2	33		Right Hand Lower Steering Knuckle Assembly	1
7	59169-000	5/16" Stud	2		58900-402 58900-404 58900-406	250 Ackermann 200 Ackermann 150 Ackermann	
8	22962-028	¼" Flat Washer	4	34		Left Hand Upper Steering Knuckle Assembly, <i>See Table 1 on Page 15</i>	1
9	49983-000	¼"-20 UNC Locknut	4	35	60904-432	Right Hand Upper Steering Knuckle Assembly	1
10		Height Control Valve Linkage	2			Kingpin Bushing and Bearing Service Kits	
a	59428-001	335 mm Length			60961-628 60961-629	Axle Set , Includes Kit Nos. 60961-629 & -630	
b	59428-002	370 mm Length			60961-630	Left Hand with Composite Thrust Bearing , Includes Key Nos. 36-41, 43, Loctite	
11		Height Control Valve				Right Hand with Roller Thrust Bearing , Includes Key Nos. 36-40, 42-43, Loctite	
a	59935-013L	Left Hand	1	36	33117-000	Grease Zerk	2
b	59935-024	Right Hand	1	37	68687-003	Grease Cap Assembly, Upper	2
12		Left Hand HCV Support Bracket	1	38	68687-002	Grease Cap Assembly, Lower	2
a	68675-002	Set Back		39	58909-001	Kingpin Bushing	4
b	68675-003	Set Forward				Thrust Bearing Service Kits	
13		Link Mount			60961-631 60961-632	Axle Set , Includes Kit Nos. 60961-632 & -633	
a	59429-001	Left Hand	1		60961-633	Left Hand Composite Thrust Bearing , Includes Key Nos. 40-41, 43 & Loctite	
b	59429-002	Right Hand	1			Right Hand Roller Thrust Bearing , Includes Key Nos. 40, 42-43 & Loctite	
14		*¾"-16 UNC x 1 ¼" Hex Bolt	2	40	68731-000	Kingpin Seal	4
15		*¾" Flat Washer	2	41	59828-000	Left Hand Composite Thrust Bearing	1
16	58913-012L	Shock Absorber	2	42	64256-000L	Right Hand Roller Thrust Bearing	1
17		*¾"-10 UNC x 4" Upper Shock Bolt	2	43	60236-001	5/8" Socket Head Cap Screw	4
18		*Lower Shock Bolt	2	Not Shown	60937-000	Loctite® (Red) Compound Tube	1
19		*¾" Hardened Washer	6	44		Tie Rod Assembly, Includes Key Nos. 45-47 <i>See Selection Guide on Page 16</i>	1
20		*¾"-10 UNC Hex Locknut	4		60961-XXX	Tie Rod End Service Kits , <i>See Selection Guide on Page 16</i>	
21	22962-046	Shock Spacer	2	45		Tie Rod End, <i>See Selection Guide on Page 16</i>	
22	59423-001	Shock Bracket	2			Left Hand	1
		Leaf Spring and Shackle Bracket Assembly Conversion Kit for vehicles built between 5/10 and 5/2/16 , <i>See Page 13 for Kit Contents</i>		46		Right Hand	1
	60961-827	Left Hand, Includes Key Nos. 23a-24a		47		**7/8" Castle Nut	2
	60961-828	Right Hand, Includes Key Nos. 23b-24b		48	22962-007	7/8" Flat Washer	2
	60961-844	Left Hand, Includes Key Nos. 23c-24a		49	17800-004	Tie Rod Nut Cotter Pin	2
	60961-845	Right Hand, Includes Key Nos. 23d-24b			60961-069	Stop Bolt Service Kit, One Side , Includes Key Nos. 50-51	
	60961-846	Left Hand, Includes Key Nos. 23e-24a		50	60238-001	½"-13 UNC Square Head Bolt	2
	60961-847	Right Hand, Includes Key Nos. 23f-24b		51	60240-000	½"-13 UNC Hex Jam Nut	2
23		Leaf Spring Assembly for vehicles built after 5/2/16 , <i>Contact Hendrickson Tech Services</i>	2	52		*¾"-16 UNF Hex Bolt	8
a		• with Front Eye Through Bolt Bushing		53		*¾" Flat Washer	8
b		Left Hand, Set Back, <i>Replaces 59930-061</i>		54		*¾"-16 UNF Nylon Locknut	8
		Right Hand, Set Back, <i>Replaces 59930-062</i>		55	59826-000	Top Pad	2
c		• with Front Eye Bar Pin Bushing		56		Dowel Pin, ½" Diameter, <i>See Table 1 on Page 15</i>	2
d		Left Hand, Set Back, <i>Replaces 59930-057</i>		57		Front Axle Spacer, <i>See Table 1 on Page 15</i>	2
e		Right Hand, Set Back, <i>Replaces 59930-058</i>					
f		Left Hand, Set Forward, <i>Replaces 59930-059</i>					
		Right Hand, Set Forward, <i>Replaces 59930-060</i>					
24		Single Shackle Bracket Assembly for vehicles built 2 after 5/2/16 , <i>Contact Hendrickson Tech Services</i> , Includes Key Nos. 25-29					
a		Left Hand					
b		Right Hand					



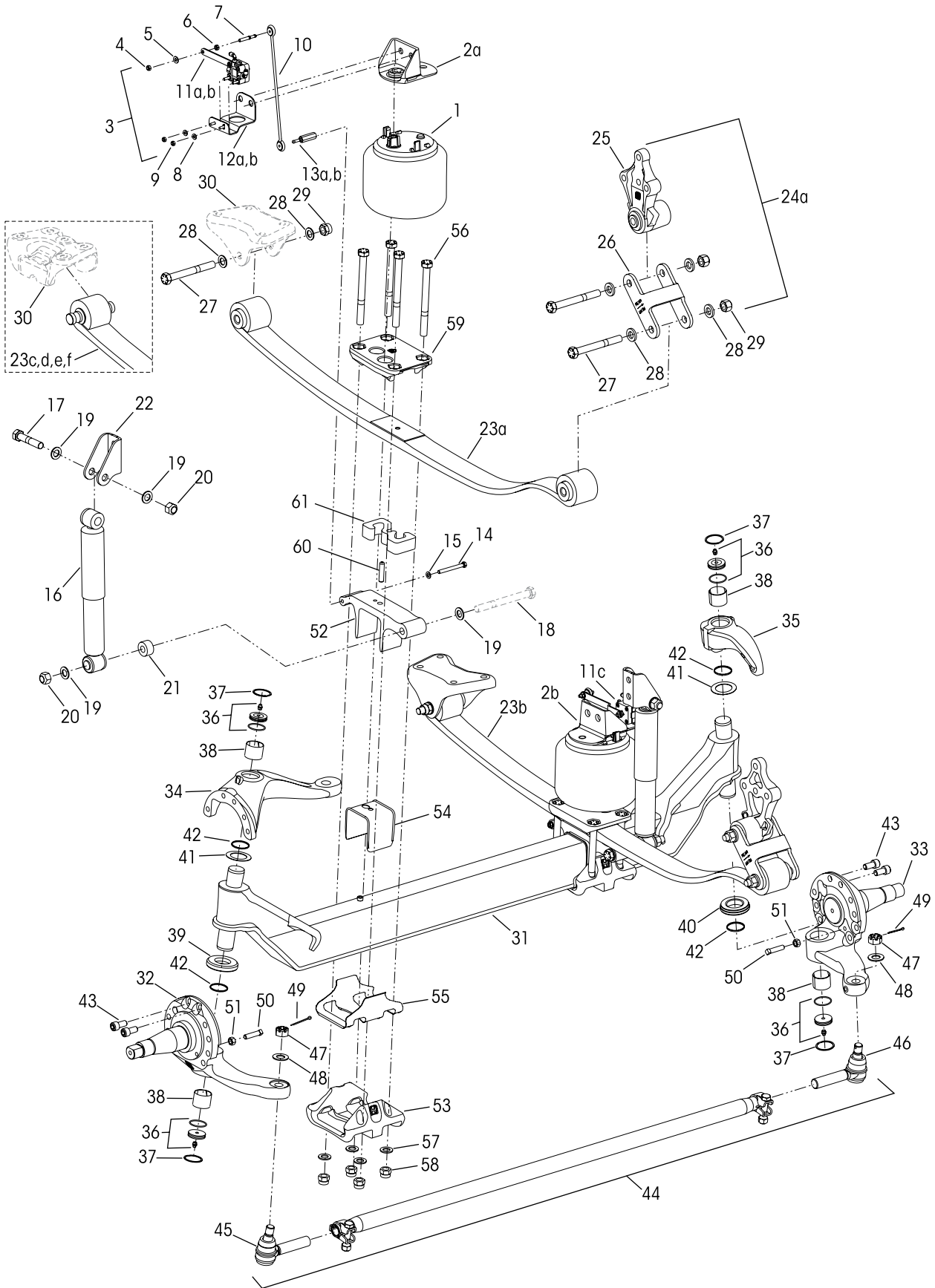
Model 4900 SA • 5700 • Vehicles built after November 2011





				VEHICLE					VEHICLE
KEY NO.	PART NO.	DESCRIPTION		QTY.	KEY NO.	PART NO.	DESCRIPTION		QTY.
1	69116-002L	Air Spring		2	27		*3/4"-10 UNC Nut		4
2		Air Spring Bracket			28		*Western Star Front Hanger, Left Hand / Right Hand		1/1
	a	60850-001	Left Hand	1					
	b	60850-002	Right Hand	1	29		*Western Star Rear Hanger		2
3		HCV & Linkage Assembly		1/1		68967-XXX	Axle Assembly, Includes Key Nos. 30-50, <i>Contact Hendrickson Truck Parts for specific Part Number</i>		1
		Left Hand, Set Back, Ride Height			30		Axle & Kingpin Assembly		1
		59427-019L	315 mm, Includes Key Nos. 4-9, 10a, 11a			68966-001M	12K		
		59427-027L	355 mm, Includes Key Nos. 4-9, 10b, 11a			68966-005M	13.3K		
		59427-033	385 mm, Includes Key Nos. 4-9, 10c, 11a						
		Left Hand, Set Forward, Ride Height			31		Left Hand Lower Steering Knuckle Assembly		1
		59427-031	315 mm, Includes Key Nos. 4-9, 10a, 11b			58900-401	250 Ackermann		
		59427-032	355 mm, Includes Key Nos. 4-9, 10b, 11b			58900-403	200 Ackermann		
		59427-035L	385 mm, Includes Key Nos. 4-9, 10c, 11b			58900-405	150 Ackermann		
		Right Hand, Ride Height			32		Right Hand Lower Steering Knuckle Assembly		1
		59427-034L	315 mm, Includes Key Nos. 4-9, 10a, 11c			58900-402	250 Ackermann		
		59427-036L	355 mm, Includes Key Nos. 4-9, 10b, 11c			58900-404	200 Ackermann		
		59427-038L	385 mm, Includes Key Nos. 4-9, 10c, 11c			58900-406	150 Ackermann		
4	59016-000	5/16"-18 UNC-2B Locknut		2	33		Left Hand Upper Steering Knuckle Assembly, <i>See Table 1 on Page 15</i>		1
5	22962-029	5/16" Flat washer		2	34	60904-432	Right Hand Upper Steering Knuckle Assembly		1
6	17491-011	5/16"-18 UNC Nut		2			Kingpin Bushing and Bearing Service Kits		
7	59169-000	5/16" Stud		2		60961-628	Axle Set , Includes Kit Nos. 60961-629 & -630		
8	22962-028	1/4" Flat Washer		4		60961-629	Left Hand with Composite Thrust Bearing , Includes Key Nos. 35-40, 42 & Loctite		
9	49983-000	1/4"-20 UNC Locknut		4		60961-630	Right Hand with Roller Thrust Bearing , Includes Key Nos. 35-39, 41-42 & Loctite		
10		Height Control Valve Linkage		2	35	33117-000	Grease Zerk		2
	a	59428-001	315 mm Ride Height		36	68687-003	Grease Cap Assembly, Upper		2
	b	59428-002	355 mm Ride Height		37	68687-002	Grease Cap Assembly, Lower		2
	c	59428-009	385 mm Ride Height		38	58909-001	Kingpin Bushing		4
11		Height Control Valve					Thrust Bearing Service Kits		
		Left Hand		1		60961-631	Axle Set , Includes Kit Nos. 60961-632 & -633		
	a	59935-013L	Set Back			60961-632	Left Hand Composite Thrust Bearing , Includes Key Nos. 39-40, 42 & Loctite		
	b	59935-023	Set Forward			60961-633	Right Hand Roller Thrust Bearing , Includes Key Nos. 39, 41-42 & Loctite		
	c	59935-024	Right Hand	1	39	68731-000	Kingpin Seal		4
12		Left Hand HCV Support Bracket		1	40	59828-000	Left Hand Composite Thrust Bearing		1
	a	68675-002	Set Back		41	64256-000L	Right Hand Roller Thrust Bearing		1
	b	68675-003	Set Forward		42	60236-001	5/8" Socket Head Cap Screw		4
13		Link Mount			Not Shown	60937-000	Loctite® (Red) Compound Tube		1
		Left Hand		1	43		Tie Rod Assembly, Includes Key Nos. 44-46, <i>See Selection Guide on Page 16</i>		1
	a	59429-001	Set Back			60961-XXX	Tie Rod End Service Kits , <i>See Selection Guide on Page 16</i>		
	b	59429-002	Set Forward				Tie Rod End, <i>See Selection Guide on Page 16</i>		
	c	59429-002	Right Hand	1	44		Left Hand		1
14		*3/8"-16 UNC x 1 1/4" Hex Bolt		2	45		Right Hand		1
15		*3/8" Flat Washer		2	46		**7/8" Castle Nut		2
16	58913-012L	Shock Absorber		2	47	22962-007	7/8" Flat Washer		2
17		*3/4"-10 UNC x 4" Upper Shock Bolt		2	48	17800-004	Tie Rod Nut Cotter Pin		2
18		*Lower Shock Bolt		2		60961-069	Stop Bolt Service Kit, One Side , Includes Key Nos. 49-50		
19		*3/4" Hardened Washer		6	49	60238-001	1/2"-13 UNC Square Head Bolt		2
20		*3/4"-10 UNC Hex Locknut		4	50	60240-000	1/2"-13 UNC Hex Jam Nut		2
21	22962-046	Shock Spacer		2	51		*3/4"-16 UNF Hex Bolt		8
22	59423-001	Shock Bracket		2	52		*3/4" Flat Washer		8
23		Leaf Spring Assembly, Includes Bushings		2	53		*3/4"-16 UNF Nylon Locknut		8
		12K, Set Back			54	59826-000	Top Pad		2
	a	59930-055	Left Hand		55		Dowel Pin, 1/2" Diameter, <i>See Table 1 on Page 15</i>		2
	b	59930-056	Right Hand		56		Front Axle Spacer, <i>See Table 1 on Page 15</i>		2
		12K, Set Forward							
	c	59930-053	Left Hand						
	d	59930-054	Right Hand						
		13.3K, Set Back							
	e	82430-000	Left Hand						
	f	82440-000	Right Hand						
24		Shackle Plate							
	a	68089-001	12K	4					
	b	75836-004	13.3K	2					
25		*3/4"-10 UNC Shackle Bolt		4					
26		*3/4" Washer		8					

Vehicles built between May 2010 and November 2011

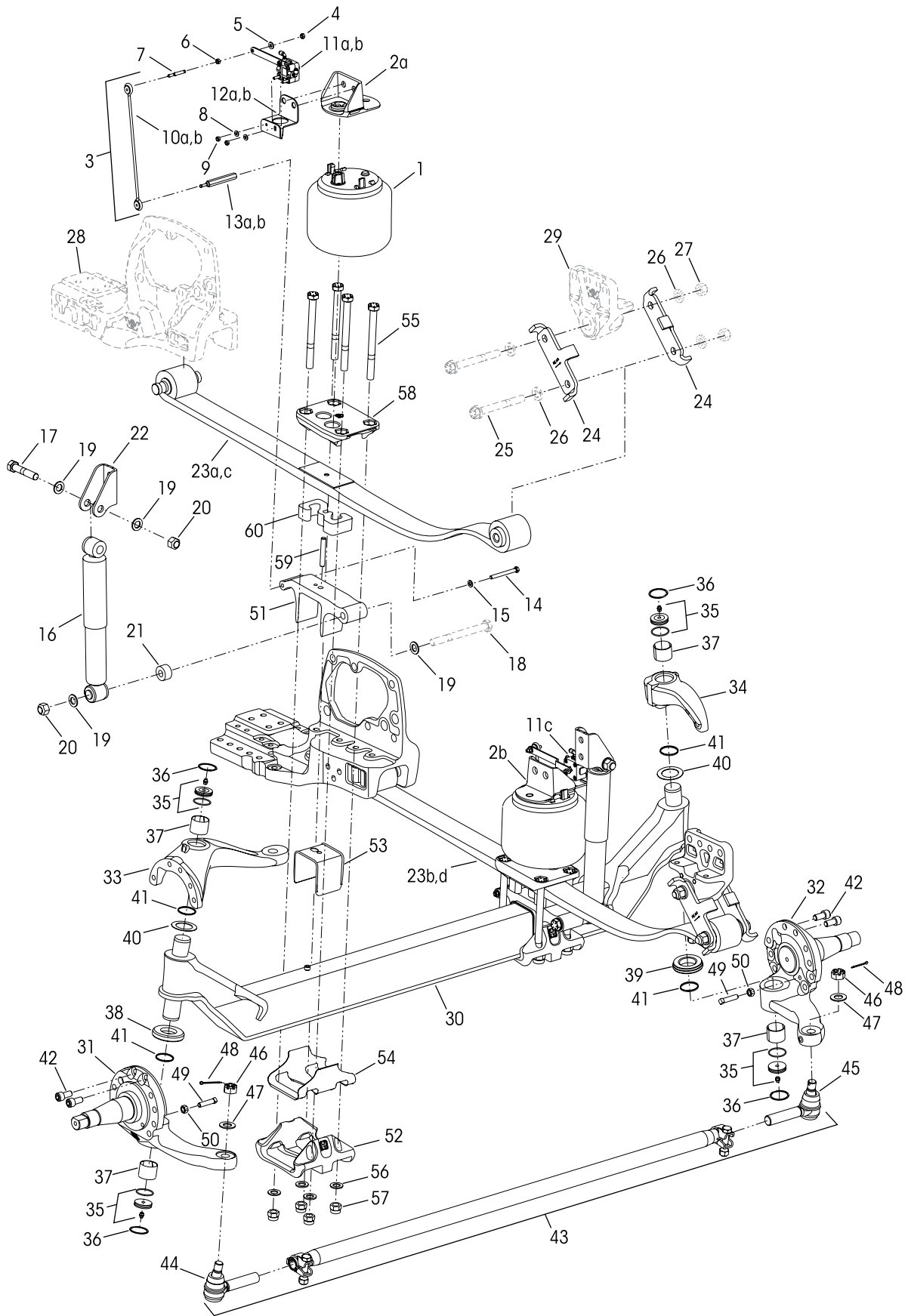




AIRTEK® for Freightliner – Vehicles built between 05/2010 and 11/2011

VEHICLE				VEHICLE			
KEY NO.	PART NO.	DESCRIPTION	QTY.	KEY NO.	PART NO.	DESCRIPTION	QTY.
1	69116-002L	Air Spring	2		70952-XXX	Axle Assembly, Includes Key Nos. 31-55, <i>Contact Hendrickson Truck Parts for specific Part Number</i>	1
2		Air Spring Bracket					
a	60850-001	Left Hand	1				
b	60850-002	Right Hand	1	31		Axle & Kingpin Assembly	1
3		HCV & Linkage Assembly			64905-001	4.25" Drop	
		Left Hand	1		64905-003	5.36" Drop	
	59427-019L	Set Back - Cascadia, Columbia, Century S/T, Includes Key Nos. 4-10,11a		32		Left Hand Lower Steering Knuckle Assembly	1
	59427-031	Set Forward - Coronado, Includes Key Nos. 4-10,11b			58900-001	250 Ackermann	
	59427-005L	Right Hand, Includes Key Nos. 4-10,11c	1		58900-003	200 Ackermann	
4	59016-000	5/16"-18 UNC-2B Locknut	2		58900-005	150 Ackermann	
5	22962-029	5/16" Flat washer	2	33		Right Hand Lower Steering Knuckle Assembly	1
6	17491-011	5/16"-18 UNC Nut	2		58900-002	250 Ackermann	
7	59169-000	5/16" Stud	2		58900-004	200 Ackermann	
8	22962-028	1/4" Flat Washer	4		58900-006	150 Ackermann	
9	49983-000	1/4"-20 UNC Locknut	4	34		Left Hand Upper Steering Knuckle Assembly, <i>See Table 2 on Page 15</i>	1
10	59428-001	Height Control Valve Linkage	2	35	60904-032	Right Hand Upper Steering Knuckle Assembly	1
11		Height Control Valve				Kingpin Bushing and Bearing Service Kits, Axle Set, Includes Kit Nos. 60961-009 &-039	
		Left Hand	1		60961-040	Left Hand with Composite Thrust Bearing,	
a	59935-013L	Set Back			60961-009	Includes Key Nos. 36-39,41-43, Loctite	
b	59935-023	Set Forward			60961-039	Right Hand with Roller Thrust Bearing, Includes Key Nos. 36-38,40-43 & Loctite	
c	59935-002L	Right Hand	1	36	59156-000	Grease Cap Assembly	4
12		Left Hand HCV Support Bracket	1	37	58937-000	Retaining Ring	4
a	68675-002	Set Back		38	58909-000	Kingpin Bushing	4
b	68675-003	Set Forward				Thrust Bearing Service Kits	
13		Link Mount				Axle Set, Includes Kit Nos. 60961-041 &-042	
		Left Hand	1		60961-043	Left Hand Composite Thrust Bearing,	
a	59429-001	Set Back			60961-041	Includes Key Nos. 39, 41-43 & Loctite	
b	59429-002	Set Forward			60961-042	Right Hand Roller Thrust Bearing,	
c	59429-002	Right Hand	1			Includes Key Nos. 40-43 & Loctite	
14	58035-006	3/8"-16 UNC x 3 1/2" Hex Bolt	2	39	59828-000	Left Hand Composite Thrust Bearing	1
15	22962-015	3/8" Flat Washer	2	40	64256-000L	Right Hand Roller Thrust Bearing	1
16	58913-012L	Shock Absorber	2	41		Kingpin Shim	As Req.
17	50764-004	3/4"-10 UNC x 3 3/4" Upper Shock Bolt	2		60259-001X	0.005" Thickness (Pack of 4)	
18		*Lower Shock Bolt	2		60259-002	0.047" Thickness	
19	22962-001	3/4" Hardened Washer	8	42	58910-001	Kingpin Seal, <i>Replaces 58910-000</i>	4
20	49842-000	3/4"-10 UNC Hex Locknut	4	43	60236-001	5/8" Socket Head Cap Screw	4
21	59946-001	Shock Spacer	2	Not Shown	60937-000	Loctite® (Red) Compound Tube	1
22	59423-001	Shock Bracket	2	44		Tie Rod Assembly, Includes Key Nos. 45-47, <i>See Selection Guide on Page 16</i>	1
		Leaf Spring and Shackle Bracket Assembly			60961-XXX	Tie Rod End Service Kits, See Selection Guide <i>on Page 16</i>	
		Conversion Kit for vehicles built between 5/10 and 5/21/16, See Page 13 for Kit Contents				Tie Rod End, <i>See Selection Guide on Page 16</i>	
	60961-827	Left Hand, Includes Key Nos. 23a-24a		45		Left Hand	1
	60961-828	Right Hand, Includes Key Nos. 23b-24b		46		Right Hand	1
	60961-844	Left Hand, Includes Key Nos. 23c-24a		47		**7/8" Castle Nut	2
	60961-845	Right Hand, Includes Key Nos. 23d-24b		48	22962-007	7/8" Flat Washer	2
	60961-846	Left Hand, Includes Key Nos. 23e-24a		49	17800-004	Tie Rod Nut Cotter Pin	2
	60961-847	Right Hand, Includes Key Nos. 23f-24b			60961-069	Stop Bolt Service Kit, One Side, Includes Key Nos. 50-51	
23		Leaf Spring Assembly, <i>Contact Hendrickson Tech Services for Part Number</i>	2	50	60238-001	1/2"-13 UNC Square Head Bolt	2
		• with Front Eye Through Bolt Bushing		51	60240-000	1/2"-13 UNC Hex Jam Nut	2
a		Left Hand, Set Back, <i>Replaces 59930-061</i>		52		Top Wrap, <i>See Table 2 on Page 15</i>	2
b		Right Hand, Set Back, <i>Replaces 59930-062</i>		53	64722-001	Bottom Wrap	2
		• with Front Eye Bar Pin Bushing				Clamp Group Service Kit, One Side, Includes Key Nos. 54-58	
c		Left Hand, Set Back, <i>Replaces 59930-057</i>			60961-013	280 mm/315 mm Ride Height	
d		Right Hand, Set Back, <i>Replaces 59930-058</i>			60961-014	355 mm Ride Height	
e		Left Hand, Set Forward, <i>Replaces 59930-059</i>		54	59449-000	Top Axle Wrap Liner	2
f		Right Hand, Set Forward, <i>Replaces 59930-060</i>		55	59845-000	Bottom Axle Wrap Liner	2
24		Single Shackle Bracket Assembly, Includes Key Nos. 25-29, <i>Contact Hendrickson Tech Services for Part Number</i>	2	56		3/4"-10 UNC Hex Bolt	8
		Left Hand			58917-016	8 1/2" Length, 280 mm/315 mm Ride Height	
a		Left Hand			58917-017	10" Length, 355 mm Ride Height	
b		Right Hand		57	22962-001	3/4" Hardened Washer	8
25		**Shackle Bracket with Bushing, <i>Replaces 68127-001</i>	2	58	17700-033	3/4"-10 UNC-2B Nylon Locknut	8
26		**Shackle Plate, <i>Replaces 67754-004</i>	2	59	59826-000	Top Pad	2
27	68893-001	3/4"-16 UNF x 6 1/2" Bolt	6	60		Dowel Pin, 1/2" Diameter, <i>See Table 2 on Page 15</i>	2
28	22962-044	3/4" Washer (thick washer)	12	61		Front Axle Spacer, <i>See Table 2 on Page 15</i>	2
29	68894-001	3/4"-16 UNF Nylon Locknut	6				
30		*Freightliner Hanger, Left Hand / Right Hand	1/1				

Vehicles built between June 2010 and November 2011



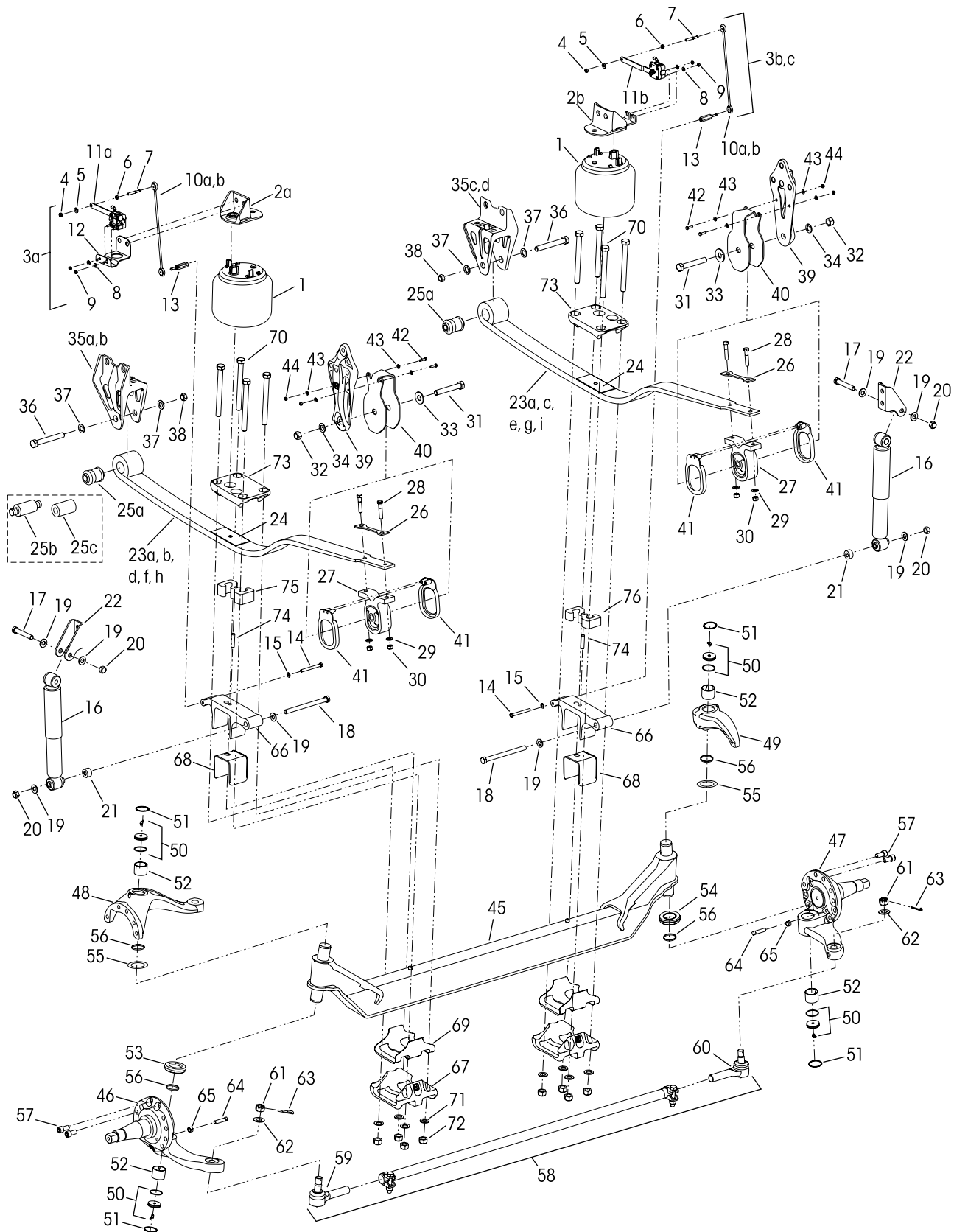


AIRTEK® for Western Star – Vehicles built between 06/2010 and 11/2011

KEY NO.	PART NO.	DESCRIPTION	VEHICLE QTY.	KEY NO.	PART NO.	DESCRIPTION	VEHICLE QTY.
1	69116-002L	Air Spring	2	32		Right Hand Lower Steering Knuckle Assembly	1
2		Air Spring Bracket			58900-002	250 Ackermann	
	a 60850-001	Left Hand	1		58900-004	200 Ackermann	
	b 60850-002	Right Hand	1		58900-006	150 Ackermann	
3		HCV & Linkage Assembly	1/1	33		Left Hand Upper Steering Knuckle Assembly, <i>See Table 2 on Page 15</i>	1
		Left Hand, Set Back, Ride Height		34	60904-032	Right Hand Upper Steering Knuckle Assembly	1
	59427-019L	7.31", 8.81", Includes Key Nos. 4-9, 10a, 11a			60961-040	Kingpin Bushing and Bearing Service Kits	
	59427-027L	10.06", Includes Key Nos. 4-9, 10b, 11a			60961-009	Axle Set , Includes Kit Nos. 60961-009 & -039	
		Left Hand, Set Forward, Ride Height			60961-009	Left Hand with Composite Thrust Bearing , Includes Key Nos. 35-38, 40-42, Loctite	
	59427-031	7.31", 8.81", Includes Key Nos. 4-9, 10a, 11b			60961-039	Right Hand with Roller Thrust Bearing , Includes Key Nos. 35-37, 39-42 & Loctite	
	59427-032	10.06", Includes Key Nos. 4-9, 10b, 11b		35	59156-000	Grease Cap Assembly	4
		Right Hand, Ride Height		36	58937-000	Retaining Ring	4
	59427-005L	7.31", 8.81", Includes Key Nos. 4-9, 10a, 11c		37	58909-000	Kingpin Bushing	4
	59427-009L	10.06", Includes Key Nos. 4-9, 10b, 11c				Thrust Bearing Service Kits	
4	59016-000	5/16" -18 UNC-2B Locknut	2		60961-043	Axle Set , Includes Kit Nos. 60961-041 & -042	
5	22962-029	5/16" Flat washer	2		60961-041	Left Hand Composite Thrust Bearing , Includes Key Nos. 38, 40-42 & Loctite	
6	17491-011	5/16" -18 UNC Nut	2		60961-042	Right Hand Roller Thrust Bearing , Includes Key Nos. 39-42 & Loctite	
7	59169-000	5/16" Stud	2	38	59828-000	Left Hand Composite Thrust Bearing	1
8	22962-028	1/4" Flat Washer	4	39	64256-000L	Right Hand Roller Thrust Bearing	1
9	49983-000	1/4"-20 UNC Locknut	4	40		Kingpin Shim	As Req.
10		Height Control Valve Linkage	2		60259-001X	0.005" Thickness (Pack of 4)	
	a 59428-001	7.31", 8.81" Ride Height			60259-002	0.047" Thickness	
	b 59428-002	10.06" Ride Height		41	58910-001	Kingpin Seal, <i>Replaces 58910-000</i>	4
11		Height Control Valve	1/1	42	60236-001	5/8" Socket Head Cap Screw	4
	a 59935-013L	Left Hand Set Back		Not Shown	60937-000	Loctite® (Red) Compound Tube	1
	b 59935-023	Left Hand Set Forward		43		Tie Rod Assembly, Includes Key Nos. 44-46, <i>See Selection Guide on Page 16</i>	1
	c 59935-002L	Right Hand			60961-XXX	Tie Rod End Service Kits , <i>See Selection Guide on Page 16</i>	
12		Left Hand HCV Support Bracket	1			Tie Rod End, <i>See Selection Guide on Page 16</i>	
	a 68675-002	Set Back		44		Left Hand	1
	b 68675-003	Set Forward		45		Right Hand	1
13		Link Mount	1	46		**7/8" Castle Nut	2
	a 59429-001	Left Hand Set Back		47	22962-007	7/8" Flat Washer	2
	b 59429-002	Left Hand Set Forward		48	17800-004	Tie Rod Nut Cotter Pin	2
	c 59429-002	Right Hand	1		60961-069	Stop Bolt Service Kit, One Side , Includes Key Nos. 49-50	
14	58035-006	3/8"-16 UNC x 3 1/2" Hex Bolt	2	49	60238-001	1/2"-13 UNC Square Head Bolt	2
15	22962-015	3/8" Flat Washer	2	50	60240-000	1/2"-13 UNC Hex Jam Nut	2
16	58913-012L	Shock Absorber	2	51		Top Wrap, <i>See Table 2 on Page 15</i>	2
17	50764-004	3/4"-10 UNC x 3 3/4" Upper Shock Bolt	2	52	64722-001	Bottom Wrap	2
18		*Lower Shock Bolt	2			Clamp Group Service Kit, One Side , Includes Key Nos. 53-57	
19	22962-001	3/4" Hardened Washer	8		60961-013	7.31" Ride Height	
20	49842-000	3/4"-10 UNC Hex Locknut	4		60961-014	8.81" Ride Height	
21	59946-001	Shock Spacer	2		60961-019	10.06" Ride Height	
22	59423-001	Shock Bracket	2	53	59449-000	Top Axle Wrap Liner	2
23		Leaf Spring Assembly, Includes Bushings	2	54	59845-000	Bottom Axle Wrap Liner	2
		Set Back		55		3/4"-10 UNC Hex Bolt	8
	a 59930-055	Left Hand			58917-016	8 1/2" Length, 7.31" Ride Height	
	b 59930-056	Right Hand			58917-017	10" Length, 8.81" Ride Height	
		Set Forward			58917-018	11 1/2" Length, 10.06" Ride Height	
	c 59930-053	Left Hand		56	22962-001	3/4" Flat Washer	8
	d 59930-054	Right Hand		57	17700-033	3/4"-10 UNC-2B Nylon Locknut	8
24	68089-001	Shackle Plate	4	58	59826-000	Top Pad	2
25		*3/4"-10 UNC Shackle Bolt	4	59		Dowel Pin, 1/2" Diameter, <i>See Table 2 on Page 15</i>	2
26		*3/4" Washer	8	60		Front Axle Spacer, <i>See Table 2 on Page 15</i>	2
27		*3/4"-10 UNC Nut	4				
28		*Western Star Front Hanger, Left Hand / Right Hand	1/1				
29		*Western Star Rear Hanger	2				
	70952-XXX	Axle Assembly, Includes Key Nos. 30-54, <i>Contact Hendrickson Truck Parts for specific Part Number</i>	1				
30	64905-001	Axle & Kingpin Assembly, 12K, 70.9 KPI, 4.25 Drop	1				
31		Left Hand Lower Steering Knuckle Assembly	1				
	58900-001	250 Ackermann					
	58900-003	200 Ackermann					
	58900-005	150 Ackermann					



Freightliner – Vehicles built prior to May 2010 • Western Star – Vehicles built prior to June 2010
 • Sterling – Vehicles built prior to April 2009



KEY NO.	PART NO.	DESCRIPTION	VEHICLE QTY.
1	69782-002	Air Spring, <i>Replaces 59823-002L</i>	2
2		Air Spring Bracket	
a	60850-001	Left Hand	1
b	60850-002	Right Hand	1
3		HCV & Linkage Assembly	
a	59427-019L	Left Hand • Vehicles equipped with dual HCVs, Includes Key Nos. 4-9, 10a, 11a • <i>See Page 13 for vehicles equipped with a single HCV</i>	1
b	59427-005L	Right Hand <i>Replaces 59427-001L</i> , Includes Key Nos. 4-9, 10a, 11b, Century Class S/T, Columbia 1350, Coronado, LC Sterling (Set Back), Western Star (Set Back/ Set Forward) 7.31"/8" Ride Height	1
c	59427-009L	<i>Replaces 59427-002</i> , Includes Key Nos. 4-9, 10b, 11b, Western Star (Set Back & Set Forward) 8.81"/10.06" Ride Height	1
4	59016-000	5/16" -18 UNC-2B Locknut	2
5	22962-029	5/16" Flat washer	2
6	17491-011	5/16" -18 UNC Nut	2
7	59169-000	5/16" Stud	2
8	22962-028	1/4" Flat Washer	4
9	49983-000	1/4"-20 UNC Locknut	4
10		Height Control Valve Linkage	2
a	59428-001	335 mm Length	
b	59428-002	370 mm Length	
11		Height Control Valve	
a	59935-013L	Left Hand	1
b	59935-002L	Right Hand	1
12		Left Hand HCV Support Bracket • For vehicles equipped with dual HCVs 280 mm/315 mm, 355 mm Ride Height Columbia, Century Class S/T, LC Sterling (Set Back) EPA 98/04, Coronado EPA 98/04/07	1
	66256-000		
	67637-000	315 mm, 355 mm Ride Height Columbia, Century Class S/T, LC Sterling (Set Back), Cascadia EPA 07	
	60961-008	Link Mount Service Kit, Axle Set , Includes Key Nos. 13-15	
13	59429-001	Link Mount, <i>Replaces 59310-001</i>	2
14	58035-006	3/8"-16 UNC x 3 1/2" Hex Bolt	2
15	22962-015	3/8" Flat Washer	2
16	58913-003L	Shock Absorber	2
17	50764-004	3/4"-10 UNC x 3 3/4" Upper Shock Bolt	2
18	58917-015	3/4"-10 UNC x 7 1/2" Lower Shock Bolt, <i>Replaces 58917-009</i>	2
19	22962-001	3/4" Hardened Washer	8
20	49842-000	3/4"-10 UNC Hex Locknut	4
21	59946-001	Shock Spacer	2
22	59423-001	Shock Bracket	2
23		Leaf Spring Assembly, Includes Key Nos. 24-30, 41	2
a	59930-021	Century Class S/T, Columbia 1350, Western Star (Set Back), <i>Replaces 59930-001</i> Coronado	
b	59930-023	Left Hand, <i>Replaces 59930-003</i>	
c	59930-024	Right Hand, <i>Replaces 59930-004</i> LC Sterling (Set Back)	
d	59930-025	Left Hand	
e	59930-026	Right Hand Western Star (Set Forward)	
f	59930-027	Left Hand	
g	59930-028	Right Hand Century, Cascadia	
h	59930-029	Left Hand	
i	59930-030	Right Hand	
24	59937-001	Galvanized Liner	2

KEY NO.	PART NO.	DESCRIPTION	VEHICLE QTY.
25		Spring Eye Bushing	2
a		**Century Class S/T, Columbia, Western Star (Set Forward)	
b		**Coronado	
c		**LC Sterling (Set Back), Century, Cascadia	
	60961-616	Rear Spring Mount Service Kit, One Side , Includes Key Nos. 26-30	
26	58920-001	Spring End Plate, <i>Replaces 58920-000</i>	2
27	58918-000	Rear Spring Mount	2
28	30970-011	1/2"-20 UNF x 2 1/2" Hex Bolt, <i>Replaces 24531-004</i>	4
29	22962-014	1/2" Flat Washer	4
30	17700-034	1/2"-20 UNF Hex Nylock Nut, <i>Replaces 49846-000</i>	4
	60961-003	Rear Spring Eye Hardware Service Kit, One Side , Includes Key Nos. 31-34, 41	
31	50764-008	3/4"-10 UNC x 5" Hex Bolt	2
32	49842-000	3/4"-10 UNC Hex Locknut	2
33	22962-033	3/4" Washer (Large O.D.)	2
34	22962-001	3/4" Flat Washer	2
		Front Hanger Service Kits	
		Left Hand , Includes Key Nos. 35a-b, 36-38	
	60961-004	Century Class S/T, Columbia, LC Sterling (Set Back)	
	60961-005	Century Class S/T 1350, Columbia 1350	
	60961-017	Western Star (Set Back)	
		Right Hand , Includes Key Nos. 35c-d, 36-38	
	60961-006	Century Class S/T, Columbia	
	60961-007	Century Class S/T 1350, Columbia 1350	
	60961-018	Western Star (Set Back)	
35		Front Hanger	
		Left Hand	1
a	59832-001	Century Class S/T, Columbia, Western Star	
b	60573-001	Century Class S/T 1350, Columbia 1350 *LC Sterling (Set Back) *Western Star (Set Forward)	
		Right Hand	1
c	59832-002	Century Class S/T, Columbia, Western Star (Set Back)	
d	60573-002	Century Class S/T 1350, Columbia 1350	
36	50764-002	3/4"-10 UNC x 5 1/2" Hex Bolt	2
37	22962-001	3/4" Flat Washer	4
38	49842-000	3/4"-10 UNC Hex Locknut	2
39	59829-001	Rear Hanger, <i>Replaces 59829-000</i>	2
	60961-016	Rear Hanger Clamp Service Kit, One Side , Includes Key Nos. 33, 40-44	
40	59830-001	Rear Hanger Clamp, <i>Replaces 59830-000</i>	2
41	59346-001	Thrust Washer, <i>Replaces 59346-000</i>	4
42	56935-001	1/4"-20 UNC x 1 1/4" Hex Bolt	4
43	22962-028	1/4" Hardened Washer	8
44	49983-000	1/4"-20 UNC Locknut	4
	70952-XXX	Axle Assembly, Includes Key Nos. 45-69, <i>Contact Hendrickson Truck Parts for specific Part Number</i>	1
45		Axle & Kingpin Assembly, 12K	1
	64905-001	<i>Replaces 59924-001</i> - 4 1/4 Drop, 70.9 KPI Coronado, LC Sterling (Set Back) 315 mm/355 mm Ride Height Western Star (Set Back) 8.81"/10.06" Ride Height	
	64905-002	<i>Replaces 59924-002</i> - 4 1/4 Drop, 69 KPI Century Class S/T, Columbia, 315 mm/355 mm Ride Height Western Star (Set Forward) 8.81"/10.06" Ride Height	
	64905-004	<i>Replaces 59924-004</i> - 5.36" Drop, 69 KPI Century Class S/T, Columbia, 280 mm/315 mm Ride Height LC Sterling (Set Back) 280 mm Ride Height Western Star (Set Forward) 7.31" Ride Height	
46		Left Hand Lower Steering Knuckle Assembly	1
	58900-001	250 Ackermann	
	58900-003	200 Ackermann	
	58900-005	150 Ackermann	

KEY NO.	PART NO.	DESCRIPTION	VEHICLE QTY.
47	58900-002 58900-004 58900-006	Right Hand Lower Steering Knuckle Assembly 250 Ackermann 200 Ackermann 150 Ackermann	1
48	60903-031 60903-032 60903-033 60903-035 60903-036 60903-038L 60903-039	***Left Hand Upper Steering Knuckle Assembly <i>Replaces 60903-001, 5.36" Drop, 69 KPI,</i> Century Class S/T, Columbia, 280 mm Ride Ht. Western Star (Set Forward), 7.31" Ride Height LC Sterling (Set Back), 280 mm Ride Height <i>Replaces 60903-002, 4.25"/ 5.36" Drop, 69 KPI,</i> Century Class S/T, Columbia, 315 mm Ride Ht. Western Star (Set Forward), 8.81" Ride Height LC Sterling (Set Back), 315 mm Ride Height ***Left Hand Upper Steering Knuckle Assembly <i>Replaces 60903-003, 4.25" Drop, 69 KPI,</i> Century Class S/T, Columbia, 355 mm Ride Ht. Western Star (Set Forward), 10.06" Ride Height LC Sterling (Set Back), 355 mm Ride Height <i>Replaces 60903-005, 4.25" Drop, 70.9 KPI,</i> Western Star (Set Back), 8.81" Ride Height LC Sterling (Set Back), 315 mm Ride Height <i>Replaces 60903-006, 4.25" Drop, 70.9 KPI,</i> Western Star (Set Back), 10.06" Ride Height LC Sterling (Set Back), 355 mm Ride Height <i>Replaces 60903-008, 4.25"/ 5.36" Drop, 70.9 KPI,</i> Coronado, 315 mm Ride Height <i>Replaces 60903-009, 4.25" Drop, 70.9 KPI,</i> Coronado, 355 mm Ride Height	1
49	60903-002 60961-040 60961-009 60961-039	***Right Hand Upper Steering Knuckle Assembly Kingpin Bushing and Bearing Service Kits Axle Set , Includes Kit Nos. 60961-009 & -039 Left Hand with Composite Thrust Bearing , Includes Key Nos. 50-53, 55-57, Loctite Right Hand with Roller Thrust Bearing , Includes Key Nos. 50-52, 54-57 & Loctite	1
50	59156-000	Grease Cap Assembly	4
51	58937-000	Retaining Ring	4
52	58909-000	Kingpin Bushing	4
	60961-043 60961-041 60961-042	Thrust Bearing Service Kits Axle Set , Includes Kit Nos. 60961-041 & -042 Left Hand Composite Thrust Bearing , Includes Key Nos. 53, 55-57 & Loctite Right Hand Roller Thrust Bearing , Includes Key Nos. 54-57 & Loctite	
53	59828-000	Left Hand Composite Thrust Bearing,	1
54	64256-000L	Right Hand Roller Thrust Bearing	1
55	60259-001X 60259-002	Kingpin Shim 0.005" Thickness (Pack of 4) 0.047" Thickness	As Req.
56	58910-001	Kingpin Seal. <i>Replaces 58910-000</i>	4
57	60236-001	5/8" Socket Head Cap Screw	4
Not Shown	60937-000	Loctite® (Red) Compound Tube	1
58	60961-XXX	Tie Rod Assembly, Includes Key Nos. 59-61 <i>See Selection Guide on Page 16</i> Tie Rod End Service Kits , <i>See Selection Guide on Page 16</i> Tie Rod End, <i>See Selection Guide on Page 16</i>	1
59		Left Hand	1
60		Right Hand	1
61		**7/8" Castle Nut	2
62	22962-007	7/8" Flat Washer	2
63	17800-004 60961-069	Tie Rod Nut Cotter Pin Stop Bolt Service Kit, One Side , Includes Key Nos. 64-65	2
64	60238-001	1/2"-13 UNC Square Head Bolt	2
65	60240-000	1/2"-13 UNC Hex Jam Nut	2
66	59952-001	Top Wrap Century Class S/T, Columbia, LC Sterling (Set Back), 4.25" Drop, 315 mm Ride Height 5.36" Drop, 280 mm Ride Height Coronado, 5.36" Drop, 280 mm/315 mm Ride Height	2

KEY NO.	PART NO.	DESCRIPTION	VEHICLE QTY.
	59952-002	Century Class S/T, Columbia, Coronado 4.25" Drop, 355 mm Ride Height 5.36" Drop, 315 mm Ride Height LC Sterling (Set Back) 4.25" Drop, 355 mm Ride Height	
	59952-007	Western Star (Set Back), 4.25" Drop, 8.81", 10.06" Ride Height Western Star (Set Forward), 4.25" Drop, 10.06" Ride Height	
	59952-016	Western Star (Set Forward), 4.25" Drop, 8.81" Ride Height 5.36" Drop, 7.31" Ride Height	
67	64722-001	Bottom Wrap, <i>Replaces 59440-001</i> Clamp Group Service Kit, One Side , Includes Key Nos. 68-72	2
	60961-013	Century Class S/T, Columbia 280 mm/315 mm Ride Height	
	60961-014	Century Class S/T, Columbia 355 mm Ride Ht. Western Star 8.81" Ride Height	
	60961-019	Western Star 10.06" Ride Height	
68	59449-000	Top Axle Wrap Liner	2
69	59845-000	Bottom Axle Wrap Liner	2
70	58917-016 58917-017 58917-018	3/4"-10 UNC Hex Bolt 8 1/2" Length - Century Class S/T, Columbia 10" Length - Western Star 8.81" Ride Height 11 1/2" Length - Western Star 10.06" Ride Height	8
71	22962-001	3/4" Flat Washer	8
72	17700-033	3/4"-10 UNC-2B Nylock Nut	8
73	59826-000	Top Pad	2
74	57159-004 57159-005 57159-006 57159-012	Dowel Pin, 1/2" Diameter Century Class S/T, Columbia, Coronado, LC Sterling (Set Back), 280 mm/315 mm Ride Height Century Class S/T, Columbia, Coronado, LC Sterling (Set Back), 5.36" Drop, 355 mm and 315 mm Ride Height Western Star (Set Back & Set Forward), 8.81" Ride Height, 4.25" Drop, Western Star (Set Back & Set Forward) 10.06" Ride Height, 4.25" Drop Western Star (Set Forward) 7.31" Ride Height, 5.36" Drop	2
75	60244-010 60244-030 60244-035 60244-045 60244-080	Left Hand Front Axle Spacer 280 mm/315 mm Ride Height - 10 mm 280 mm/315 mm Ride Height - 30 mm • For vehicles equipped with dual HCVs, Century Class S/T, Columbia, LC Sterling (Set Back) EPA 98/04, Coronado, Classic XL (Set Forward) EPA 98/04/07 - 35 mm Century Class S/T, Columbia, LC Sterling (Set Back), 355 mm Ride Height, 4.25" Drop - 45 mm 315 mm Ride Height, 5.36" Drop - 45 mm Western Star (Set Back & Set Forward) 8.81" Ride Height, 4.25" Drop - 45 mm Western Star (Set Back & Set Forward) 10.06" Ride Height, 4.25" Drop - 80 mm	1
76	60244-020 60244-035 60244-070	Right Hand Front Axle Spacer Western Star (Set Forward) 7.31" Ride Height, 5.36" Drop - 20 mm Century Class S/T, Columbia, LC Sterling (Set Back) 355 mm Ride Height, 4.25" Drop - 35 mm 315 mm Ride Height, 5.36" Drop - 35 mm Western Star (Set Back & Set Forward) 8.81" Ride Height, 4.25" Drop - 35 mm Western Star (Set Back & Set Forward) 10.06" Ride Height, 4.25" Drop - 70 mm	1



Single to Dual Height Control Valve Conversion Kits
Freightliner – Vehicles built prior to May 2010 • Sterling – Vehicles built prior to April 2009

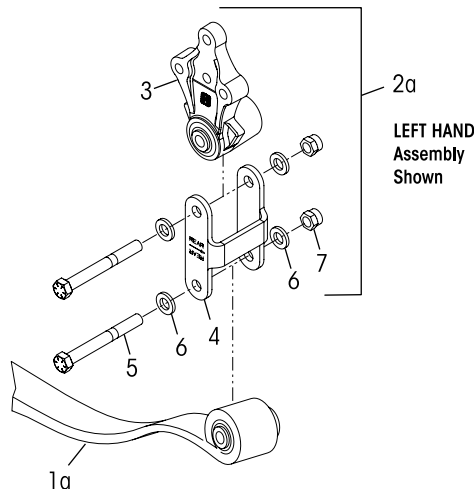
Kit No.	Vehicle	EPA	Ride Height																										
58525-029	• Columbia • Century Class S/T • LC Sterling (Set back)	98/04	280 mm/ 315 mm		<p align="center">Service Kit Contents</p> <table border="1"> <thead> <tr> <th>NO.</th> <th>DESCRIPTION</th> <th>QTY.</th> </tr> </thead> <tbody> <tr> <td>1</td> <td>LH HCV & Linkage Assembly, Includes Fasteners</td> <td>1</td> </tr> <tr> <td>2</td> <td>Upper Air Spring Bracket</td> <td>1</td> </tr> <tr> <td>3</td> <td>*LH HCV Support Bracket</td> <td>1</td> </tr> <tr> <td>4</td> <td>Link Mount</td> <td>1</td> </tr> <tr> <td>5</td> <td>*LH Front Axle Spacer</td> <td>1</td> </tr> <tr> <td>6</td> <td>3/8"-16 UNC x 3 1/2" Bolt</td> <td>1</td> </tr> <tr> <td>7</td> <td>3/8" Hardened Washer</td> <td>1</td> </tr> </tbody> </table> <p>* May not be included in all kits</p>	NO.	DESCRIPTION	QTY.	1	LH HCV & Linkage Assembly, Includes Fasteners	1	2	Upper Air Spring Bracket	1	3	*LH HCV Support Bracket	1	4	Link Mount	1	5	*LH Front Axle Spacer	1	6	3/8"-16 UNC x 3 1/2" Bolt	1	7	3/8" Hardened Washer	1
	NO.	DESCRIPTION				QTY.																							
1	LH HCV & Linkage Assembly, Includes Fasteners	1																											
2	Upper Air Spring Bracket	1																											
3	*LH HCV Support Bracket	1																											
4	Link Mount	1																											
5	*LH Front Axle Spacer	1																											
6	3/8"-16 UNC x 3 1/2" Bolt	1																											
7	3/8" Hardened Washer	1																											
	• Coronado	98/04/07																											
58525-031	• Columbia • Century Class S/T • LC Sterling (Set back)	98/04	355 mm																										
	• Coronado	98/04/07																											
58525-033	• Classic XL (Set Forward)	98/04/07	355 mm																										
58525-034	• Columbia • Century Class S/T • LC Sterling (Set back) • Cascadia	07	355 mm																										
58525-036	• Classic XL (Set Forward)	98/04/07	315 mm																										
58525-037	• Columbia • Century Class S/T • LC Sterling (Set back) • Cascadia	07	315 mm																										

NOTE: The recommendation of the vehicle manufacturer is that dual height control valves are only to be installed on the front suspension when the rear suspension is equipped with a single height control valve system. This arrangement is best suited to keep the vehicle level versus having dual height control systems on both the front and rear suspensions.

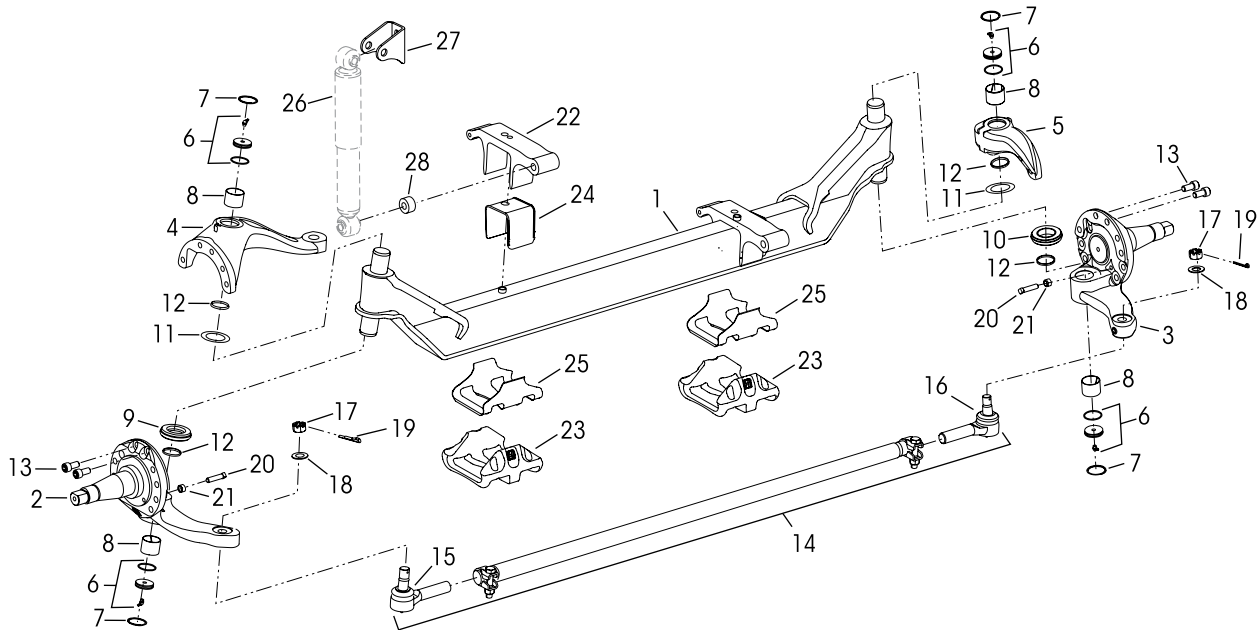
Leaf Spring and Shackle Bracket Assembly Conversion Kits
Vehicles built prior to May 2, 2016

Service Kit Nos.
60961-827 • 60961-828
60961-844 • 60961-845
60961-846 • 60961-847
Reference Lit. No. 59310-065

Leaf Spring and Shackle Bracket Assembly Conversion Kits



KEY NO.	PART NO.	DESCRIPTION	KIT QTY.
		Leaf Spring and Shackle Bracket Assembly Conversion Kit for vehicles built prior to 5/2/16	
	60961-827	Left Hand, Includes Key Nos. 1a-2a	
	60961-828	Right Hand, Includes Key Nos. 1b-2b	
	60961-844	Left Hand, Includes Key Nos. 1c-2a	
	60961-845	Right Hand, Includes Key Nos. 1d-2b	
	60961-846	Left Hand, Includes Key Nos. 1e-2a	
	60961-847	Right Hand, Includes Key Nos. 1f-2b	
1		Leaf Spring Assembly equipped with:	1
	a	• Front Eye Through Bolt Bushing	
	b	Left Hand, Set Back, <i>Replaces 59930-061</i>	
		Right Hand, Set Back, <i>Replaces 59930-062</i>	
	c	• Front Eye Bar Pin Bushing	
	d	Left Hand, Set Back, <i>Replaces 59930-057</i>	
	e	Right Hand, Set Back, <i>Replaces 59930-058</i>	
	f	Left Hand, Set Forward, <i>Replaces 59930-059</i>	
		Right Hand, Set Forward, <i>Replaces 59930-060</i>	
2		**Shackle Bracket Assembly, Includes Key Nos. 3-7, <i>Replaces 68274-001</i>	1
	a	Left Hand	
	b	Right Hand	
3		Shackle Bracket with Bushing Assembly, <i>Replaces 68127-001</i>	1
4		**Shackle Plate, <i>Replaces 67754-004</i>	1
5		**3/4"-16 UNF x 6 1/2" Bolt, <i>Replaces 50764-018</i>	2
6		**3/4" Washer (0.217" thick), <i>Replaces 22962-040</i>	4
7		**3/4"-16 UNF Nylock Nut, <i>Replaces 68596-000</i>	2



KEY NO.	PART NO.	DESCRIPTION	VEHICLE QTY.
	70952-XXX	Axle Assembly, Includes Key Nos. 1-25, <i>Contact Hendrickson Tech Services for proper Axle Assembly Part Number</i>	1
1		Axle & Kingpin Assembly	1
	64905-001	Replaces 59924-001, Coronado, 4¼ Drop, 70.9 KPI, 315 mm/355 mm Ride Height	
	64905-002	Replaces 59924-002, CST/Columbia, 4¼ Drop, 69 KPI, 315 mm/355 mm Ride Height	
	64905-004	Replaces 59924-004, CST/Columbia, 5.36" Drop, 69 KPI, 280 mm/315 mm Ride Ht.	
2		Left Hand Lower Steering Knuckle Assembly	1
	58900-001	250 Ackermann	
	58900-003	200 Ackermann	
	58900-005	150 Ackermann	
3		Right Hand Lower Steering Knuckle Assembly	1
	58900-002	250 Ackermann	
	58900-004	200 Ackermann	
	58900-006	150 Ackermann	
4		***Left Hand Upper Steering Knuckle Assembly	1
	60903-034	12K, 4.25" Drop, 69 KPI, 280 mm Ride Height, Replaces 60903-004	
	60903-035	315 mm Ride Height, Replaces 60903-005	
	60903-036	355 mm Ride Height, Replaces 60903-006 12K, 4.25" 5.36" Drop, 70.9 KPI,	
	60903-038	315 mm Ride Height, Replaces 60903-008	
	60903-039	355 mm Ride Height, Replaces 60903-009	
5	60903-002	***Right Hand Upper Steering Knuckle Assembly	1
		Kingpin Bushing and Bearing Service Kits	
	60961-040	Axle Set , Includes Kit Nos. 60961-009 & -039	
	60961-009	Left Hand with Composite Thrust Bearing , Includes Key Nos. 6-9, 11-13, Loctite	
	60961-039	Right Hand with Roller Thrust Bearing , Includes Key Nos. 6-8, 10-13, Loctite	
6	59156-000	Grease Cap Assembly	4
7	58937-000	Retaining Ring	4
8	58909-000	Kingpin Bushing	4
		Thrust Bearing Service Kits	
	60961-043	Axle Set , Includes Kit Nos. 60961-041 & -042	
	60961-041	Left Hand Composite Thrust Bearing , Includes Key Nos. 9, 11-13 & Loctite	
	60961-042	Right Hand Roller Thrust Bearing , Includes Key Nos. 10-13 & Loctite	

KEY NO.	PART NO.	DESCRIPTION	VEHICLE QTY.
9	59828-000	Left Hand Composite Thrust Bearing,	1
10	64256-000L	Right Hand Roller Thrust Bearing	1
11		Kingpin Shim	As Req.
	60259-001X	0.005" Thickness (Pack of 4)	
	60259-002	0.047" Thickness	
12	58910-001	Kingpin Seal, Replaces 58910-000	4
13	60236-001	5/8" Socket head cap screw	4
Not Shown	60937-000	Loctite® (Red) Compound Tube	1
14		Tie Rod Assembly, Includes Key Nos. 15-17, <i>See Selection Guide on Page 16</i>	1
	60961-XXX	Tie Rod End Service Kits , <i>See Selection Guide on Page 16</i>	
		Tie Rod End, <i>See Selection Guide on Page 16</i>	
15		Left Hand	1
16		Right Hand	1
17		**7/8" Castle Nut	2
18	22962-007	7/8" Flat Washer	2
19	17800-004	Tie Rod Nut Cotter Pin	2
20	60238-000	½"-13 UNC Square Head Bolt	2
21	60240-000	½"-13 UNC Hex Jam Nut	2
22		Top Axle Wrap	2
		CST/Columbia 69 KPI, 4.25" Drop, 315 mm Ride Height 5.36" Drop, 260 mm/280 mm Ride Height	
	59952-003	4.25" Drop, 315 mm Ride Height	
	59952-004	4.25" Drop, 355 mm Ride Height 5.36" Drop, 315 mm Ride Height Coronado (WS) 70.9 KPI,	
	59952-005	4.25" Drop, 315 mm Ride Height	
	59952-006	4.25" Drop, 355 mm Ride Height 5.36" Drop, 315 mm Ride Height	
23	64723-002	Bottom Axle Wrap, Replaces 59440-002	2
	60961-015	Top/Bottom Axle Wrap Liner Service Kit , One Side , Includes Key Nos. 24-25	
24	60508-000	Top Axle Wrap Liner	2
25	59845-000	Bottom Axle Wrap Liner	2
26		*Shock Absorber	2
27	59423-002	Shock Bracket	2
28	59946-001	Shock Spacer	2



■ STEERTEK NXT Upper Steering Knuckle • Dowel Pin • Front Axle Spacer Selection Guide

Table 1

STEERTEK NXT AXLE	Vehicle	Axle Drop	Ride Height	Left Hand Upper Steering Knuckle Assembly Part Number	Dowel Pin Part Number	Front Axle Spacer Part Number	
	Vehicles built after November 2011						
	Freightliner	Page 3		Key No. 34	Key No. 56	Key No. 57	
	Cascadia SET BACK	4.25"	315 mm	60903-435	57159-004	No Spacer	
			355 mm	60903-436	57159-005	69594-040	
		5.36"	280 mm	60903-434	57159-004	No Spacer	
			315 mm	60903-435	57159-005	69594-040	
	Coronado SET FORWARD	4.25"	315 mm	60903-438	57159-004	No Spacer	
			355 mm	60903-439	57159-005	69594-040	
	Western Star	Page 5		Key No. 33	Key No. 55	Key No. 56	
4900 SA • 5700 SET BACK	4.25"	315 mm	60903-435	57159-004	No Spacer		
		355 mm	60903-436	57159-005	69594-040		
		385 mm	60903-436	57159-006	69594-070		
4900 SA SET FORWARD	4.25"	315 mm	60903-438	57159-004	No Spacer		
		355 mm	60903-439	57159-005	69594-040		
		385 mm	60903-439	57159-006	69594-070		

■ STEERTEK Upper Steering Knuckle • Top Wrap • Dowel Pin • Front Axle Spacer Selection Guide

Table 2

STEERTEK AXLE	Vehicle	Axle Drop	Ride Height	Left Hand Upper Steering Knuckle Assembly Part Number	Top Wrap Part Number	Dowel Pin Part Number	Front Axle Spacer Part Number	
	Vehicles built between May 2010 and November 2011							
	Freightliner	Page 7		Key No. 34	Key No. 52	Key No. 60	Key No. 61	
	SET BACK	4.25"	315 mm/7.31"	60903-035	59952-021	57159-004	No Spacer	
			355 mm/8.81"	60903-036	59952-002	57159-005	60244-040	
		5.36"	280 mm	60903-034	59952-021	57159-004	No Spacer	
			315 mm	60903-035	59952-002	57159-005	69594-040	
	SET FORWARD	4.25"	315 mm/7.31"	60903-038	59952-021	57159-004	No Spacer	
			355 mm/8.81"	60903-039	59952-002	57159-005	60244-040	
	Vehicles built between June 2010 and November 2011							
Western Star	Page 9		Key No. 33	Key No. 51	Key No. 59	Key No. 60		
SET BACK	4.25"	315 mm/7.31"	60903-035	59952-021	57159-004	No Spacer		
		355 mm/8.81"	60903-036	59952-002	57159-005	60244-040		
		385 mm/10.06"	60903-036	59952-002	57159-006	60244-070		
SET FORWARD	4.25"	315 mm/7.31"	60903-038	59952-021	57159-004	No Spacer		
		355 mm/8.81"	60903-039	59952-002	57159-005	60244-040		
		385 mm/10.06"	60903-039	59952-002	57159-006	60244-070		



■ Tie Rod Selection Guide

		Axle Model	Wheel Base	KPI	Tie Rod Assembly Part Number	Tie Rod End Part Number	Tie Rod End Service Kit No.
STRAIGHT TIE RODS	1 1/8" Threads	Vehicles built after November 2014					
		STEERTEK NXT 12K	150"	70.9	76877-001	70995-001 (LH) 70995-002 (RH)	60961-734 (Axle Set) 60961-736 (LH) 60961-741 (RH)
			200"		76877-002		
			250"		76877-003		
		STEERTEK NXT 13.3K	150"	70.9	76879-001	76876-001 (LH) 76876-002 (RH)	60961-735 (Axle Set) 60961-742 (LH) 60961-743 (RH)
			200"		76879-002		
	250"		76879-003				
	Vehicles built prior to November 2014						Tie Rod Assembly Replacement Part No.
	STEERTEK NXT STEERTEK	150"	70.9	60239-001	♦ Tie rod end kits are no longer available for these assembly numbers, requires complete tie rod assembly replacement.	76877-001	
		200"		60239-002		76877-002	
		250"		60239-003		76877-003	
		150"	69	60239-004		76877-004	
200"		60239-005		76877-005			
250"		60239-006		76877-006			

		Axle Model	Wheel Base	KPI	Tie Rod Assembly Part Number	Tie Rod End Part Number	Tie Rod End Service Kit No.
DROP TIE RODS	1 1/4" Threads	Vehicles built after November 2014					
		STEERTEK NXT	150"/200"	70.9	76878-001	76875-001 (LH) 76875-002 (RH)	60961-737 (Axle Set) 60961-739 (LH) 60961-740 (RH)
			250"		76878-002		
	Vehicles built prior to November 2014						Tie Rod Assembly Replacement Part No.
	STEERTEK NXT STEERTEK	150"/200"	70.9	66699-001	♦ Tie rod end kits are no longer available for these assembly numbers, requires complete tie rod assembly replacement.	76878-001	
		250"		66699-002		76878-002	
150"/200"		69	66699-003	76878-003			

NOTE: ♦ Hendrickson supplies various tie rod assemblies. Locate the tie rod assembly Part Number on the tie rod tube to help determine the tie rod end kit or complete tie rod assembly replacement needed for service as shown in this Tie Rod Selection Guide.

NOTES: * Not supplied by Hendrickson, used for reference only. Hendrickson is not responsible for components supplied by the vehicle manufacturer. For assistance with maintenance and rebuild instructions on these components see vehicle manufacturer.

** Item included in kit/assembly only, part not sold separately.

*** All new replacement STEERTEK axles and upper steering knuckle components for Freightliner, Sterling and Western Star Vehicles will incorporate 5/8" fine threaded holes for brake spider mounting bolts. Vehicles built prior to 6/28/2004 that are receiving a replacement of the STEERTEK axle or upper knuckle will require — a change from coarse thread brake spider mounting bolts to fine thread brake spider mounting bolts. The brake spider mounting bolts are supplied separately by Freightliner, Sterling and Western Star, refer to vehicle manufacturer for bolt dimensions and torque specifications. Hendrickson will not be responsible for any damage to the STEERTEK upper knuckle components resulting from using the improper brake spider mounting bolts.

Hendrickson AIRTEK Ride Height Gauge (Literature No. 45745-159) for Freightliner and Western Star Vehicles can be obtained online at www.hendrickson-intl.com/Litform

This is a general parts list to provide directional information. Components may vary by model. Questions in regards to parts, contact Hendrickson Truck Parts at 1.866.755.5968 (Toll-free U.S. and Canada), 630.910.2800 (Outside U.S. and Canada) or e-mail: truckparts@hendrickson-intl.com.

Actual product performance may vary depending upon vehicle configuration, operation, service and other factors.

All applications must comply with applicable Hendrickson specifications and must be approved by the respective vehicle manufacturer with the vehicle in its original, as-built configuration. Contact Hendrickson for additional details regarding specifications, applications, capacities, and operation, service and maintenance instructions.

Call Hendrickson at 1.866.755.5968 (toll-free) or 1.630.910.2800 for additional information.



www.hendrickson-intl.com

TRUCK COMMERCIAL VEHICLE SYSTEMS
 800 South Frontage Road
 Woodridge, IL 60517-4904 USA
 1.866.755.5968 (Toll-free U.S. and Canada)
 1.630.910.2800 (Outside U.S. and Canada)
 Fax 1.630.910.2899

SP-169 Rev I 09-19

© 2001-2019 Hendrickson USA, L.L.C. All Rights Reserved. All trademarks shown are owned by Hendrickson USA, L.L.C., or one of the affiliates, in one or more countries.

Information contained in this literature was accurate at the time of publication. Product changes may have been made after the copyright date that are not reflected.

Printed in United States of America