



# TECHNICAL BULLETIN

## HAS 460 PLUS

**SUBJECT:** Severe Service Applications

**LIT NO:** SEU-0103

**DATE:** June 2001

**REVISION:** A

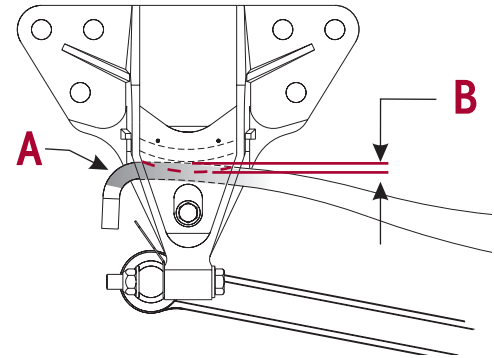
### IMPORTANT NOTICE

### NEW SERVICE KIT OPTION UPGRADES THE HAS 460 TO HAS 460 PLUS

Hendrickson has developed a service kit for the HAS 460 suspension that enhances durability in logging and other severe service applications. When installed, the service kit upgrades the HAS 460 to an HAS 460 Plus. The service kit has a unique rebound roller design and a main support member that is 1/4" thicker at the tip, see Figure 1 Point "A".

The HAS 460 could be subjected to premature wear that could require the replacement of the main support members and the slipper pads. Service kit (49175-024) and new slipper pads should be installed in these applications if the HAS 460 main support member exhibits 3/8" or more wear at the frame hanger on the cam surface contact area, see Figure 1 point "B". The service kit includes all the necessary components to upgrade the HAS 460 for one axle with the exception of the slipper pads. If both axles require upgrading, then two kits are necessary. For slipper pad identification information, call Hendrickson Tech Services at 630.910.2800.

Figure 1



### HAS 460 PLUS SERVICE KIT NO. 49175-024

QTY.	PART NO.	DESCRIPTION
2	59597-000	Main Support Member
2	59598-000	Rebound Roller
2	57988-000	Rebound Spacer
2	49846-000	Locknut
2	24531-015	5 1/2" Bolt
4	22962-014	Hardened Washer

### INSTALLATION

Follow the HAS installation procedure recommended in Hendrickson Technical Publication number 17730-212 to replace the main support members and rebound rollers of an existing HAS 460 unit.

### IMPORTANT NOTE

Hendrickson recommends that the main support members and all other components be replaced in pairs per axle.

For further information on the HAS 460 Plus contact Hendrickson Tech Services at 630.910.2800.



Information contained in this literature was accurate at the time of publication. Product changes may have been made after the copyright date that are not reflected.

SEU-0103A 300 6-01 Printed in United States of America.

Truck Suspension Systems  
800 S. Frontage Road  
Woodridge, IL 60517-4904

630.910.2800  
FAX 630.910.2899  
[www.hendrickson-intl.com](http://www.hendrickson-intl.com)

The Boler Company  
Copyright © 2001  
All Rights Reserved