

H PARTS LIST

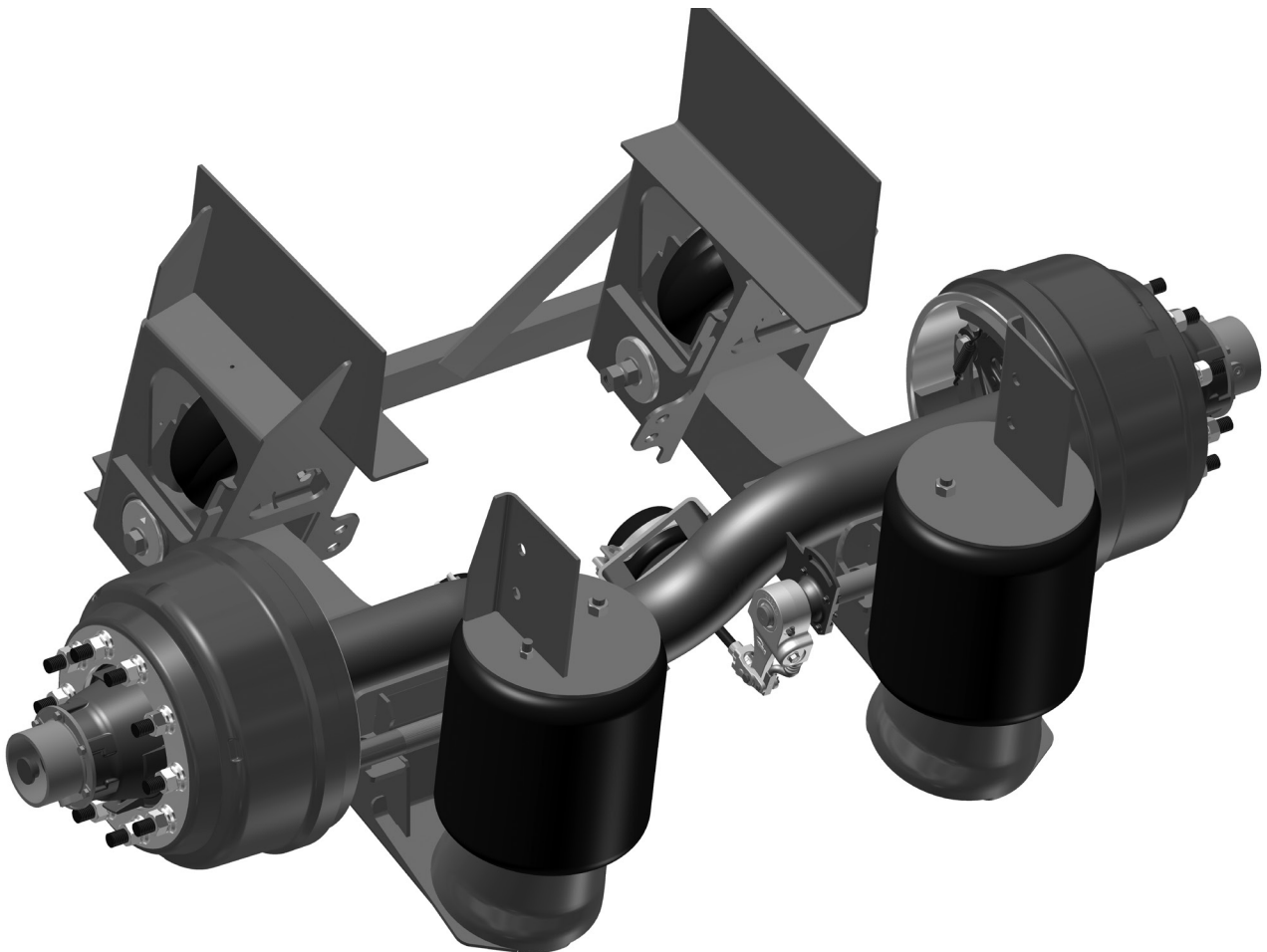
TOUGHLIFT™ FM Truck Mount (Formerly known as HLM-2)

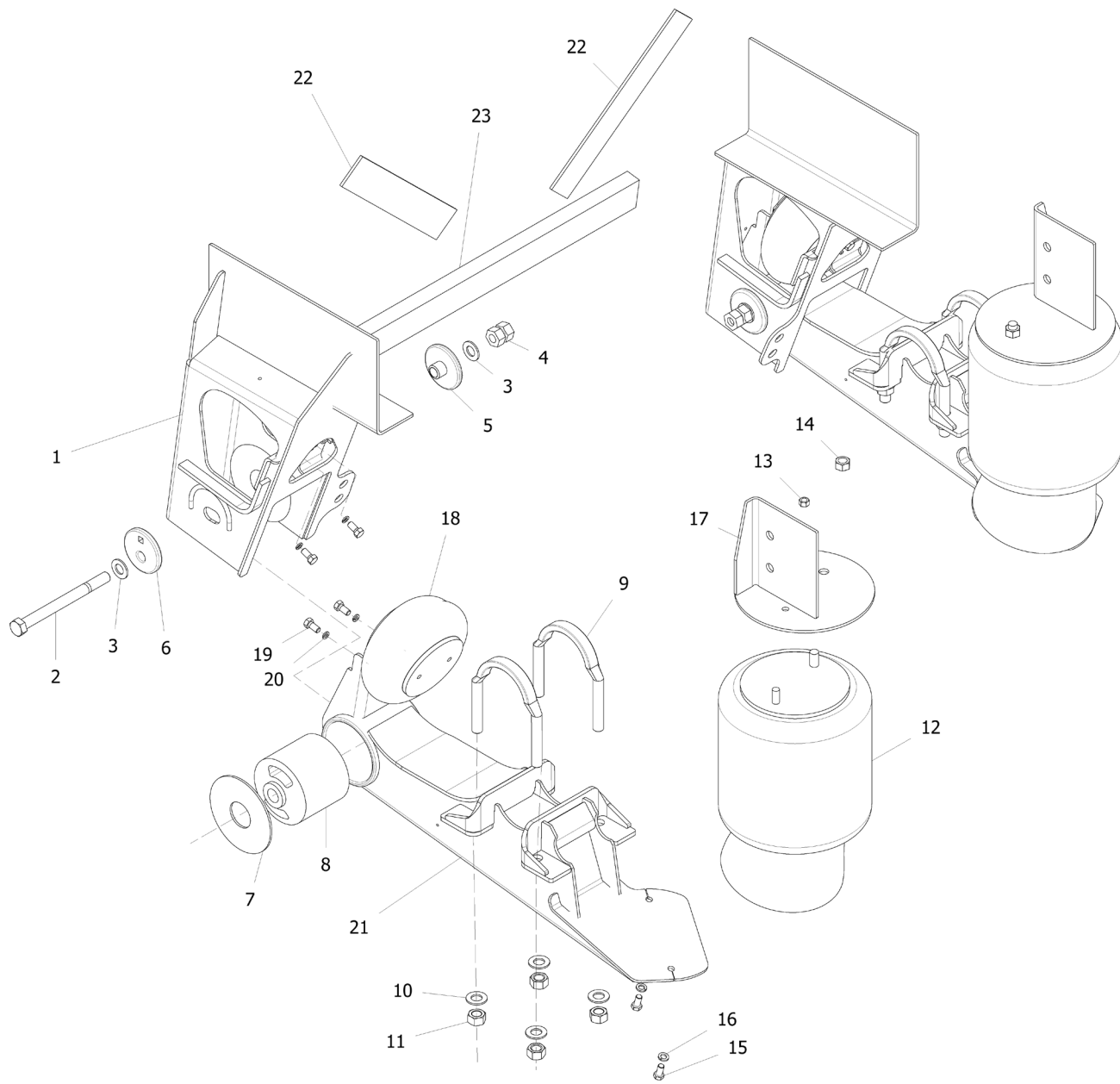
LIT NO: PL-H683

DATE: November 2019

REVISION: C

Parts List H683 is intended for After-Market TOUGHLIFT® FM Truck Mount suspensions only; if you have an OEM TOUGHLIFT® FM Truck Mount suspension, please contact Hendrickson Technical Support: 800.660.2829 — liftaxletech@hendrickson-intl.com







ITEM	PART NO.	DESCRIPTION	NO.REQ.	ITEM	PART NO.	DESCRIPTION	NO.REQ.
1	R-007349-1/-2	Ride Height A: Frame Hanger Assembly	1 EA	12	R-B-14249	Ride Spring	2
	R-008086-1/-2	Ride Height B: Frame Hanger Assembly	1 EA		R-A-1981	Ride Air Spring Fastener Kit,	1
	R-008087-1/-2	Ride Height C: Frame Hanger Assembly	1 EA			Includes Item Nos. 13-16:	
	R-010187-1/-2	Ride Height E: Frame Hanger Assembly	1 EA	13		**½"-13 Hex Nut Zinc Gr B	2
	R-004588	Pivot Bolt, Wear Pads and Bushing Kit,	2	14		**¾"-16 Hex Nut Zinc Gr B	2
		Includes Item Nos. 2-8, 24		15		**½"-13 X 1.25" Hex Bolt Phos Gr 5	4
	R-A-21116	Pivot Bolt Kit, Includes Item Nos. 2-6:	2	16		**½" Lock Washer Zinc Reg	4
2		**⅞"-9 X 10" Heavy Hex Screw	2	17	R-001951-1/-2	Ride Height A: Upper Air Spring Assembly	1 EA
3		**⅞" Harden Steel Washer	4		R-003618-1/-2	Ride Height B: Upper Air Spring Assembly	1 EA
4	R-A-15122	QUIK-ALIGN Service Nut	2		R-003623-1/-2	Ride Height C: Upper Air Spring Assembly	1 EA
5		**QUIK-ALIGN Concentric Collar	2		R-010186-1/-2	Ride Height E: Upper Air Spring Assembly	1 EA
6		**QUIK-ALIGN Eccentric Collar	2	18	R-B-14318	Lift Spring	2
7	R-B-11613	Wear Pad	4		R-A-2849	Lift Spring Fastener Kit,	2
8	R-C-3558	Tri-functional Bushing	2			Includes Item Nos. 19-20	
	R-006362	U-bolt Kit, RH: A/B/C, U-bolt with Coined Radius	1	19		**⅜"-16 X 1.00" Hex Bolt Phos Gr 5	4
		Includes Items 9, 10 & 11		20		**⅜" Lock Washer Zinc Reg	4
	R-005294	U-bolt Kit, RH: E, U-Bolt, 10" Leg	1	21	R-001907-1/-2	Beam Assembly	1 EA
		Includes Items 9, 10 & 11		22	R-002519-319	0.25 x 3" x 18" Tab Plt	2
9		**U-bolt as listed above by kit	4	23	R-002948-19	3" x 41" C-Channel	1
10		**⅞" Narrow Washer Zinc Yellow RC40-45	8			**Bushing Lubricant - 2 oz. (not shown)	1
11		**⅞"-14 Hex Nut Zinc Gr C	8				

NOTES * Quantities specified are shown per suspension. Quantities of service kit components may vary from amount shown in list, refer to the following service kit pages to confirm item quantities.

** Item included in assembly / kit only, part not sold separately.

*** Some components are determined by model specification, such as axles, brakes, and brake chambers. If the component is not listed, contact Hendrickson Auxiliary Axle Systems with the lift axle model/serial number.

"RH" above indicates "Ride Height"



***SERVICE KITS**

Service Kit No. R-004588	Pivot Bolt, Wear Pads and Bushing Kit	Service Kit No. R-A-21116	Pivot Bolt Fasteners Kit	Service Kit No. R-006362	U-bolt Fasteners Kit A/B/C Ride Height
ITEM	CONTENTS	QTY.	ITEM	CONTENTS	QTY.
1	7/8"-9 X 10" Heavy Hex Screw	1	1	7/8"-9 X 10" Heavy Hex Screw	1
2	7/8" Harden Steel Washer	2	2	7/8" Washer Dacromet + L Harden	2
3	QUIK-ALIGN Service Nut	1	3	QUIK-ALIGN Service Nut	1
4	QUIK-ALIGN Concentric Collar	1	4	QUIK-ALIGN Concentric Collar	1
5	QUIK-ALIGN Eccentric Collar	1	5	QUIK-ALIGN Eccentric Collar	1
6	Wear Pad	4			
7	Tri-Functional Bushing	1			
8	Bushing Lubricant - 2 oz. (not shown)	1			

Service Kit No. R-005294	U-bolt Fasteners Kit E Ride Height	Service Kit No. R-A-1981	Ride Air Spring Fasteners Kit	Service Kit No. R-A-2849	Lift Air Spring Fasteners Kit
ITEM	CONTENTS	QTY.	ITEM	CONTENTS	QTY.
1	U-bolt, Round with 10" Leg	4	1	1/2"-13 Hex Nut Zinc Gr B	2
2	7/8" Narrow Washer Zinc Yellow RC40-45	8	2	3/4"-16 Hex Nut Zinc Gr B	2
3	7/8"-14 Hex Nut Zinc Gr C	8	3	1/2"-13 X 1.25" Hex Bolt Phos Gr 5	4
			4	1/2" Lock Washer Zinc Reg	4

* Quantities specified are shown per service kit. Refer to Page 3 for quantities of service kits needed per suspension.

Actual product performance may vary depending upon vehicle configuration, operation, service and other factors.

All applications must comply with applicable Hendrickson specifications and must be approved by the respective vehicle manufacturer with the vehicle in its original, as-built configuration. Contact Hendrickson for additional details regarding specifications, applications, capacities, and operation, service and maintenance instructions.

Call Hendrickson at 800.660.2829 or 800.668.5360 in Canada for additional information.



www.hendrickson-intl.com

SPECIALTY PRODUCTS - AUXILIARY AXLE SYSTEMS

277 North High Street
Hebron, OH 43025 USA
800.660.2829
740.929.5600 • Fax 740.929.5601

Hendrickson Canada

250 Chrysler Drive, Unit #3
Brampton, ON Canada L6S 6B6
800.668.5360
905.789.1030 • Fax 905.789.1033

H683 Rev C 11-19

© 2015 — 2019 Hendrickson USA, L.L.C. All Rights Reserved. All trademarks shown are owned by Hendrickson USA, L.L.C., or one of its affiliates, in one or more countries. Information contained in this literature was accurate at the time of publication. Product changes may have been made after the copyright date that are not reflected.

Printed in United States of America