

TECHNICAL BULLETIN

Assembly & Installation Reference:

SUBJECT: Hendrickson Lift Axle Dimensions

LIT NO: TB-H825

DATE: September 2019

REVISION: B

TABLE OF CONTENTS

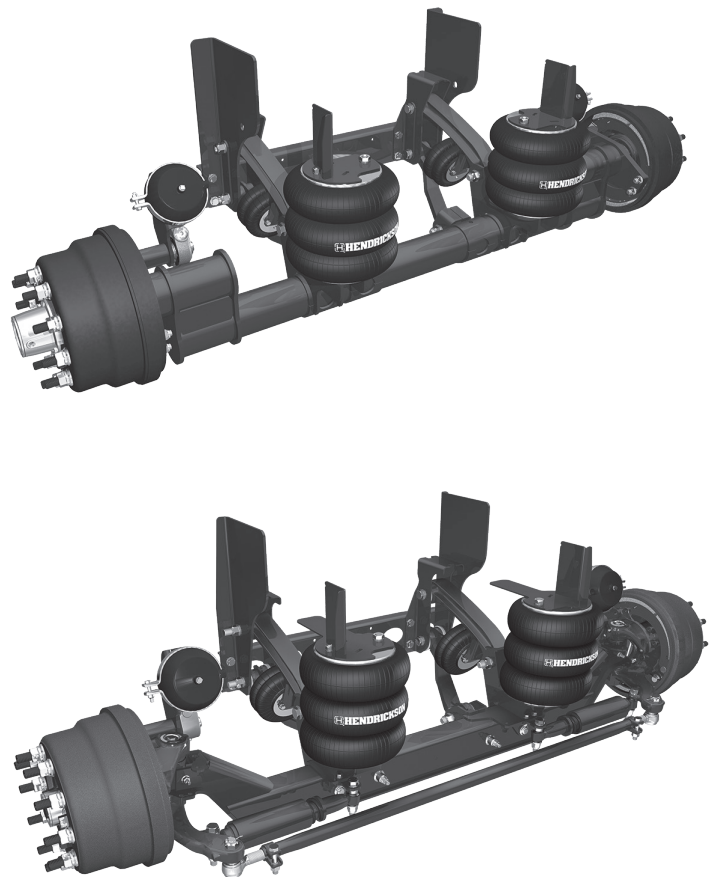
Section 1	Steerable Suspensions	2
	SC: TRUCK, Steerable 8K, 10K, 13K	2
	SC: TRUCK, Steerable 20K	2
	SC: TRUCK, Steerable Roll-Off 13K	3
	SC: TRUCK, Steerable Roll-Off 20K	3
	SC: TRAILER*, Steerable 10K & 13K	4
	SC: TRAILER*, Steerable 20K	4
	EXS: TRUCK, Steerable 8K, 10K, 13K	5
	EXS TRUCK, Steerable Roll-Off 8K, 10K, 13K	5
	EXS: TRAILER*, Steerable 8K, 10K, 13K	6
Section 2	Fixed Suspensions	7
	FX: TRUCK, Fixed 13K	7
	FM: TRUCK, Fixed 20K	7
	FX: TRUCK, Fixed Roll-Off 13K	8
	FM: TRUCK, Fixed Roll-Off 20K	8
	FX: TRAILER*, Fixed 10K & 13K	9
	FM: TRAILER**, Fixed 16K-25K (10" ***)	9
	FM: TRAILER**, Fixed 16K-25K (11.5" ***)	10
	FM: TRAILER**, Fixed 16K-25K (14" ***)	10
	EXF: TRUCK, Fixed 13K	11
	EXF: TRUCK, Fixed Roll-Off 13K	11
	EXF: TRAILER*, Fixed 13K	12

NOTE: Dimensional variations for suspensions with Disc Brakes are shown in parentheses for FM suspensions only. Dimensions for SC and FX suspensions with Disc and Drum Brakes are the same.

*Available as Bolt-on and Weld-on

**Available as Weld-on only

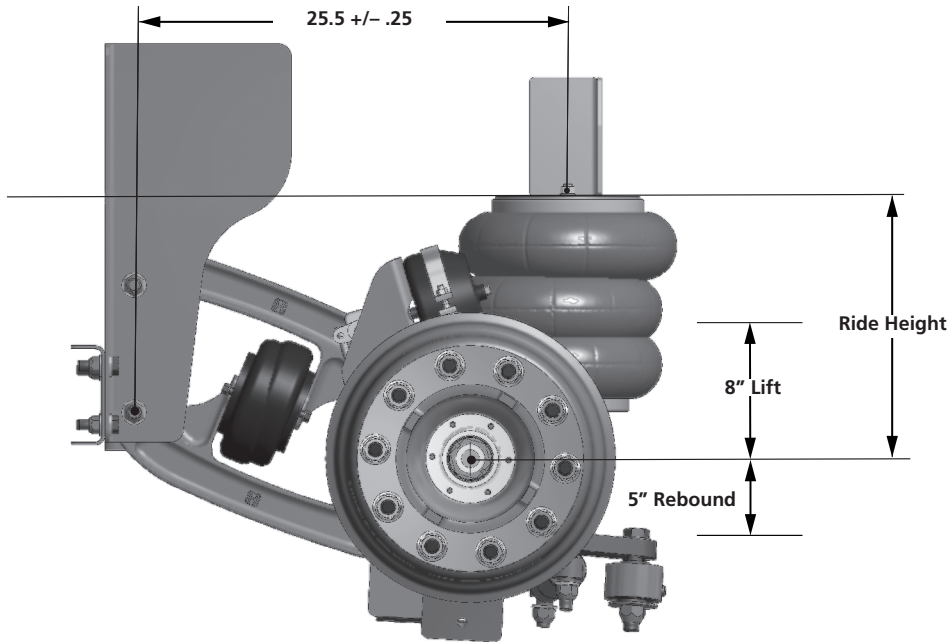
*** Indicates "Ride Height"



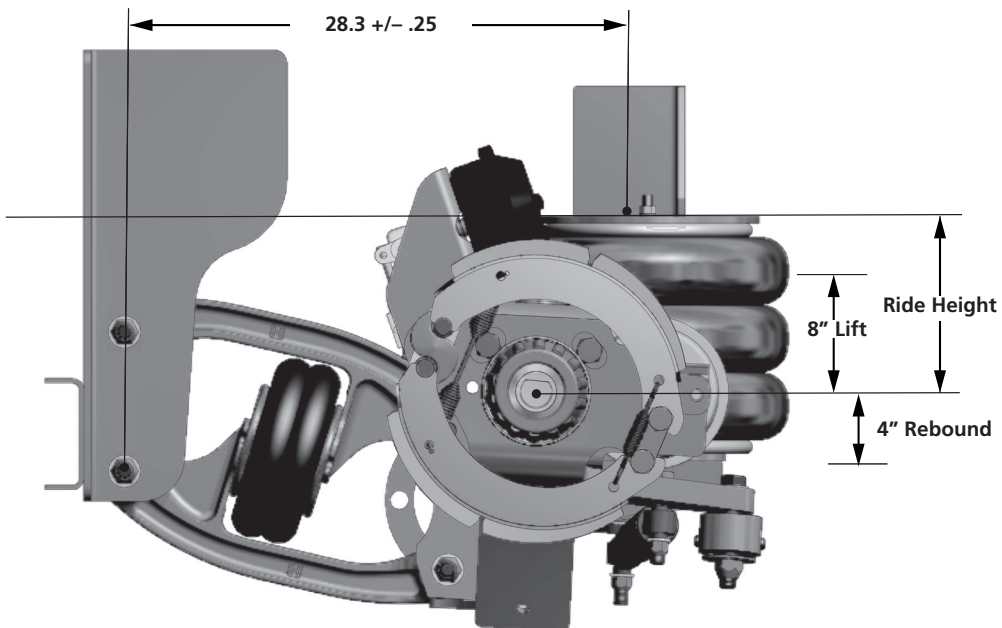
SECTION 1

Steerable Suspensions

SC: TRUCK, Steerable 8K, 10K, 13K

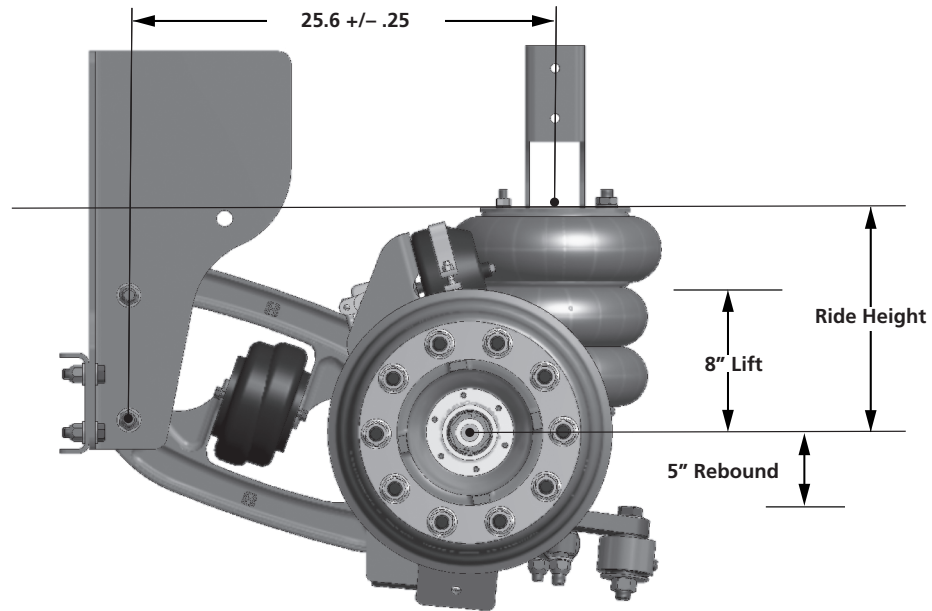


SC: TRUCK, Steerable 20K

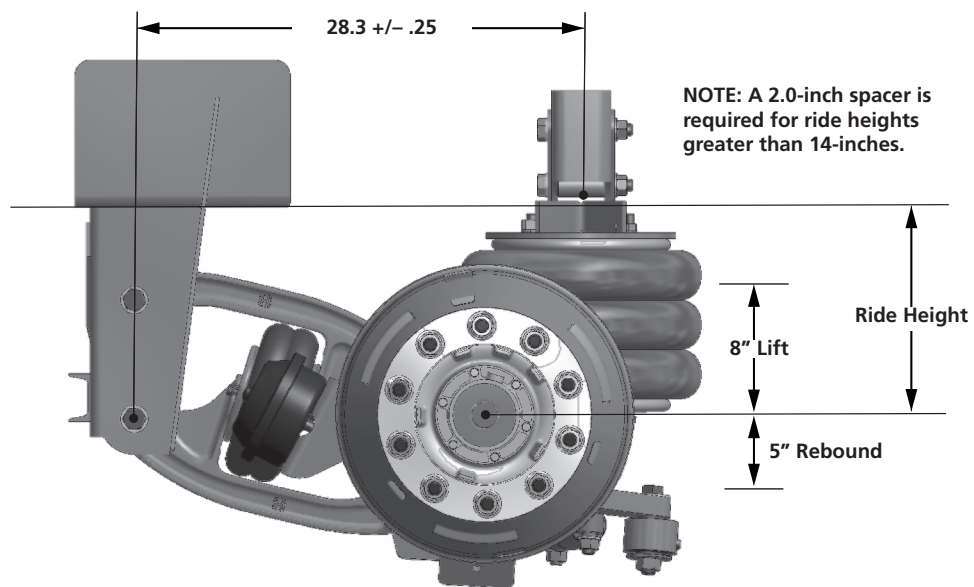




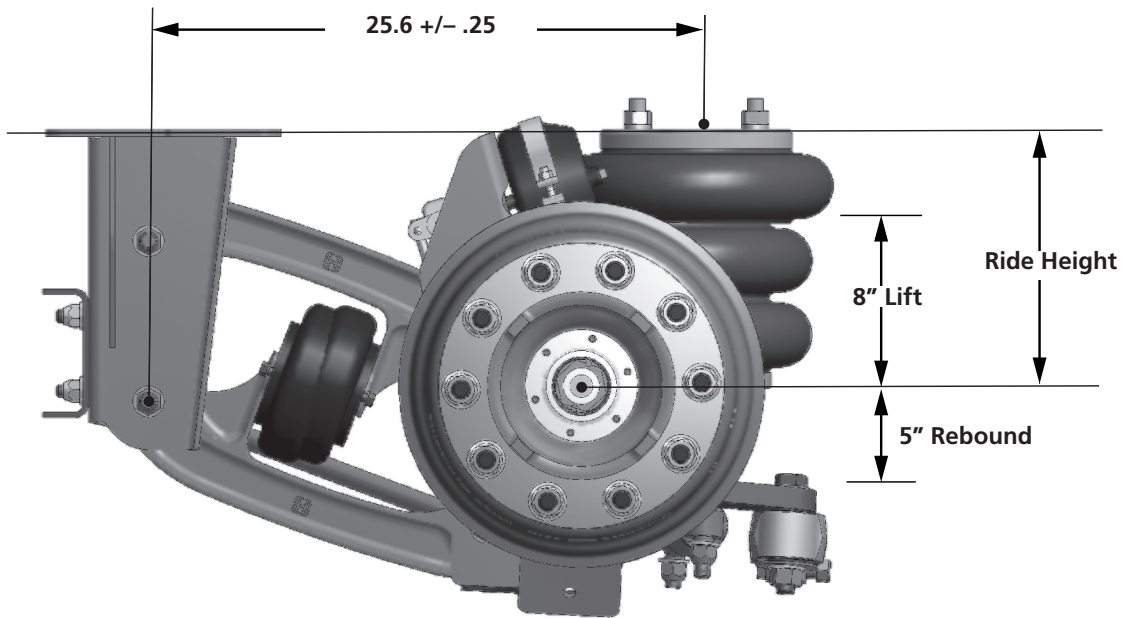
SC: TRUCK, Steerable Roll-Off 13K



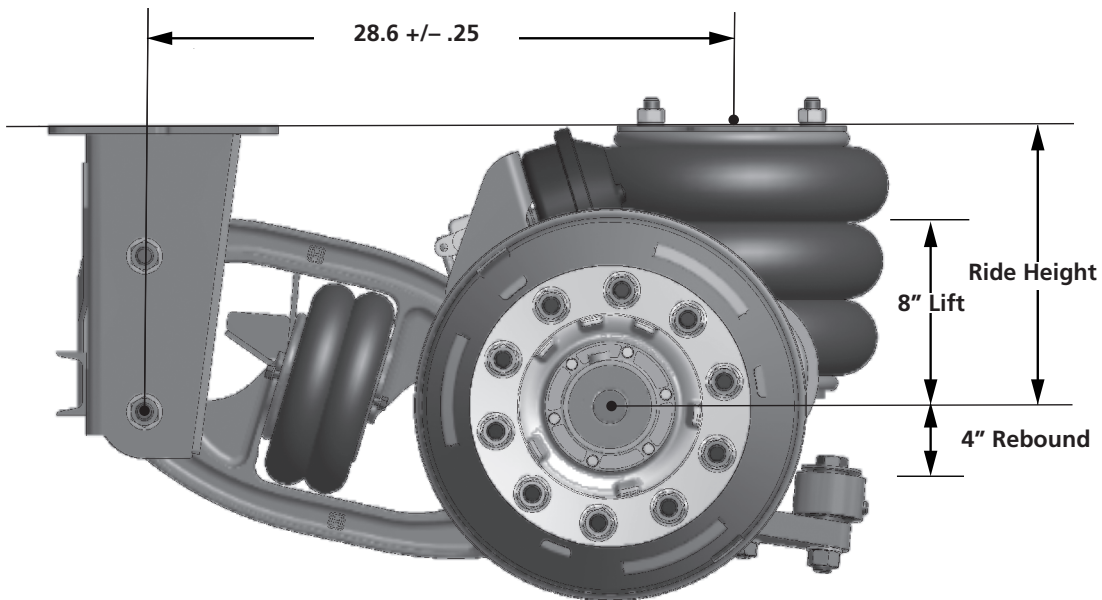
SC: TRUCK, Steerable Roll-Off 20K



SC: TRAILER, Steerable 10K & 13K (Bolt-On & Weld-On)

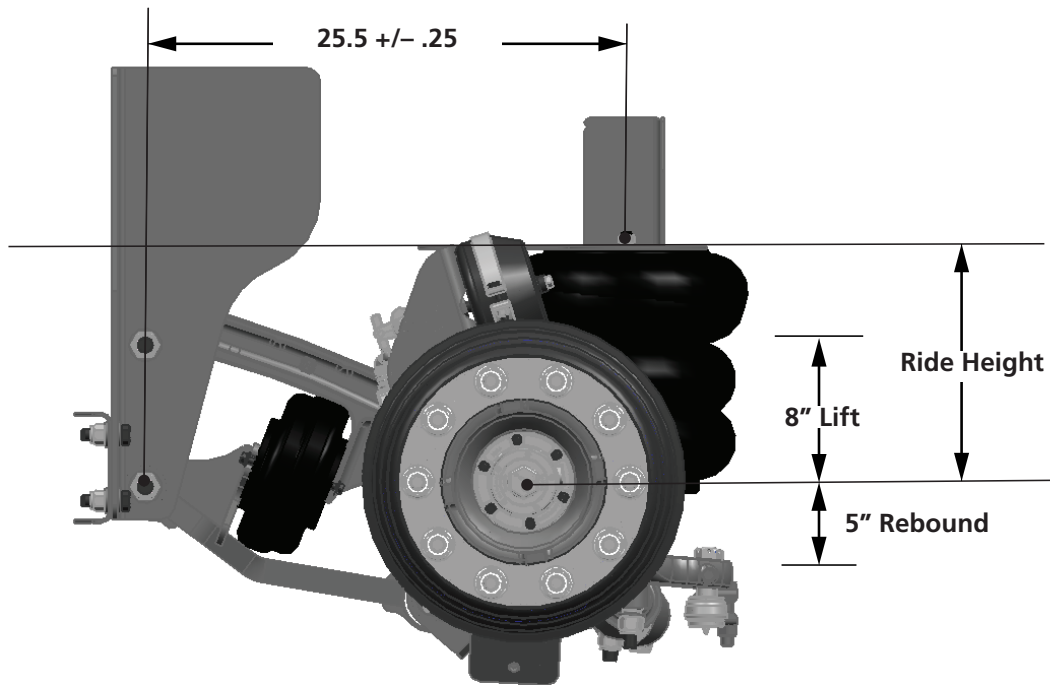


SC: TRAILER, Steerable 20K (Bolt-On & Weld-On)

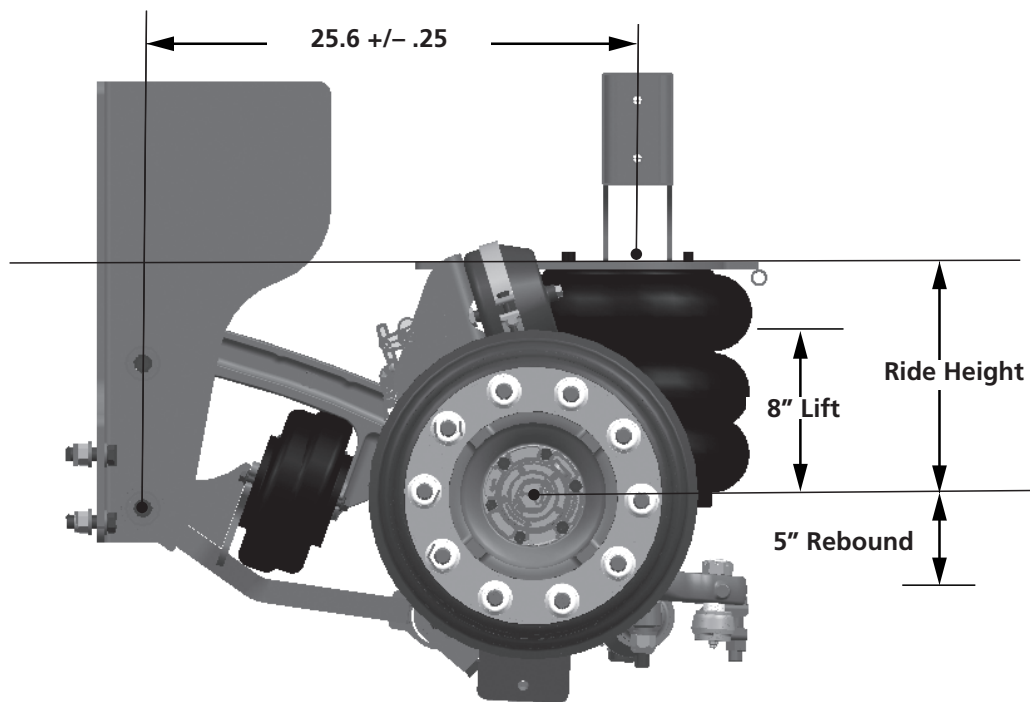




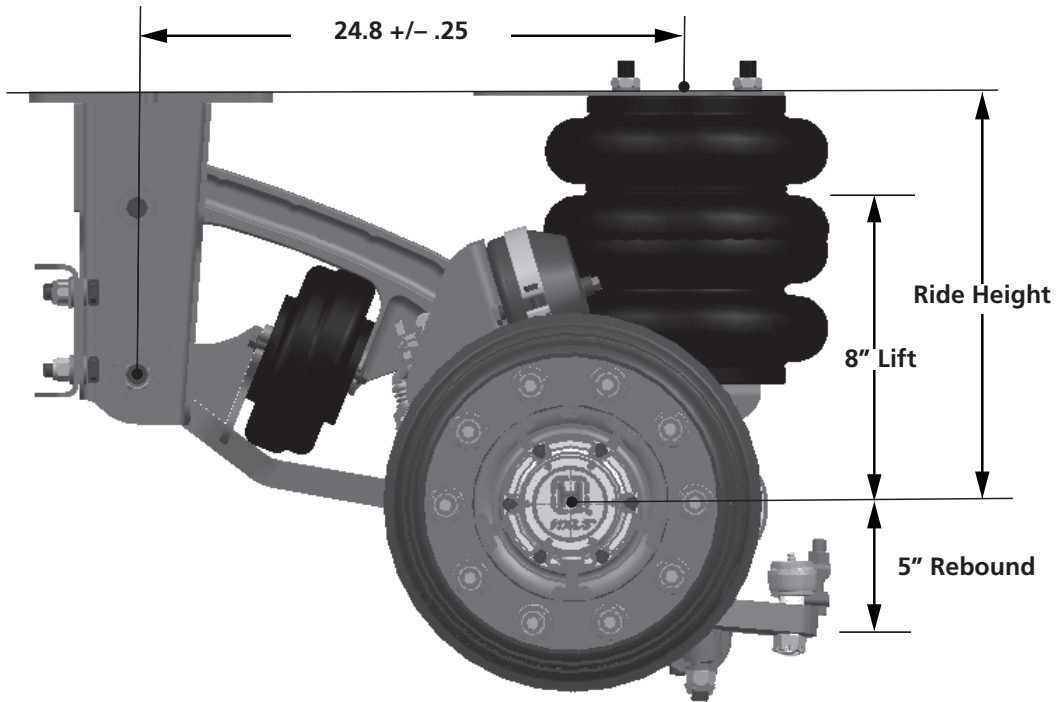
EXS: TRUCK, Steerable 8K, 10K, 13K



EXS TRUCK, Steerable Roll-Off 8K, 10K, 13K

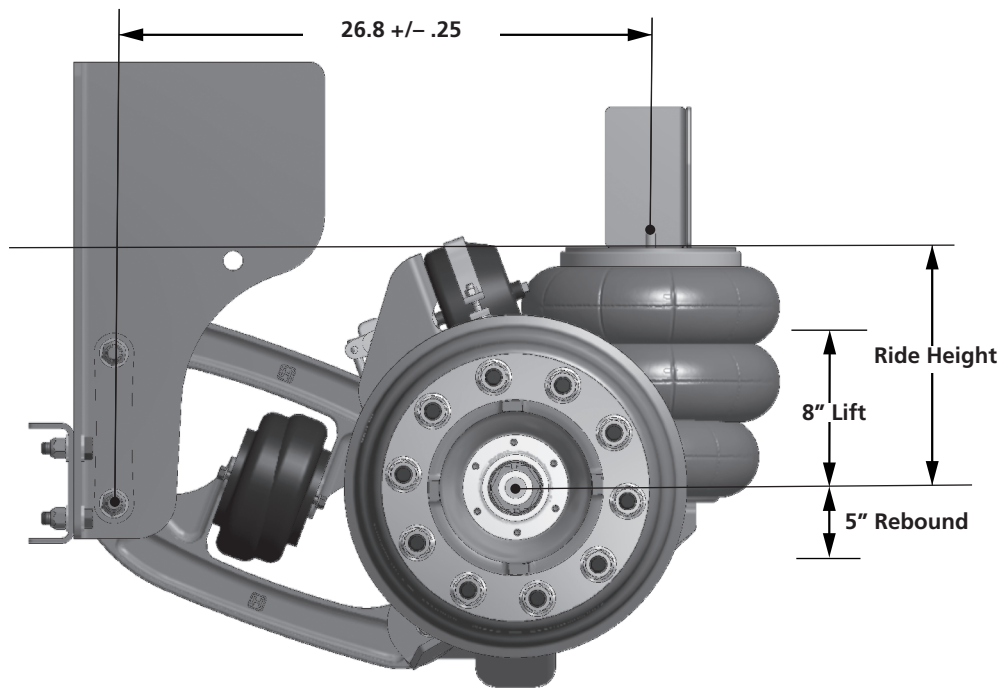


EXS: TRAILER, Steerable 8K, 10K, 13K (Bolt-on & Weld-on)

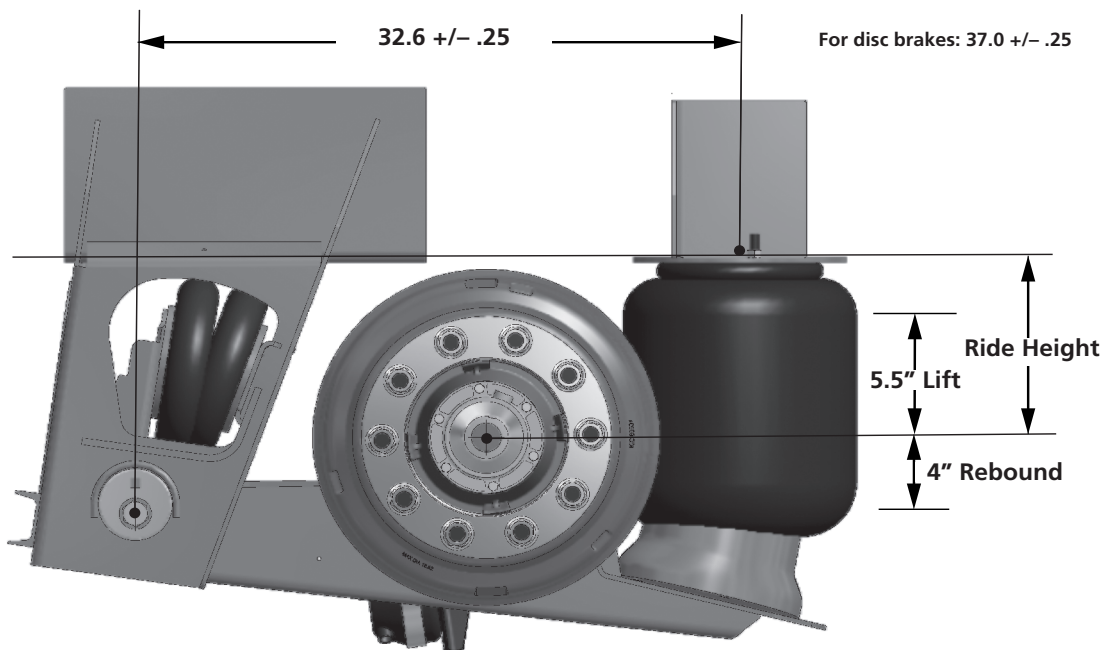


SECTION 2 Fixed Suspensions

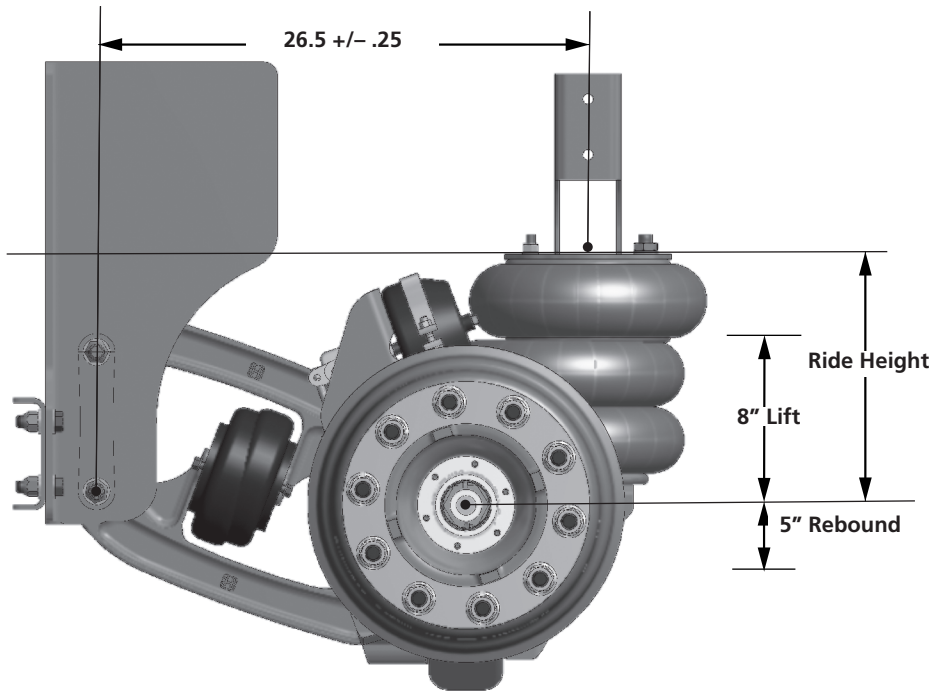
FX: TRUCK, Fixed 13K



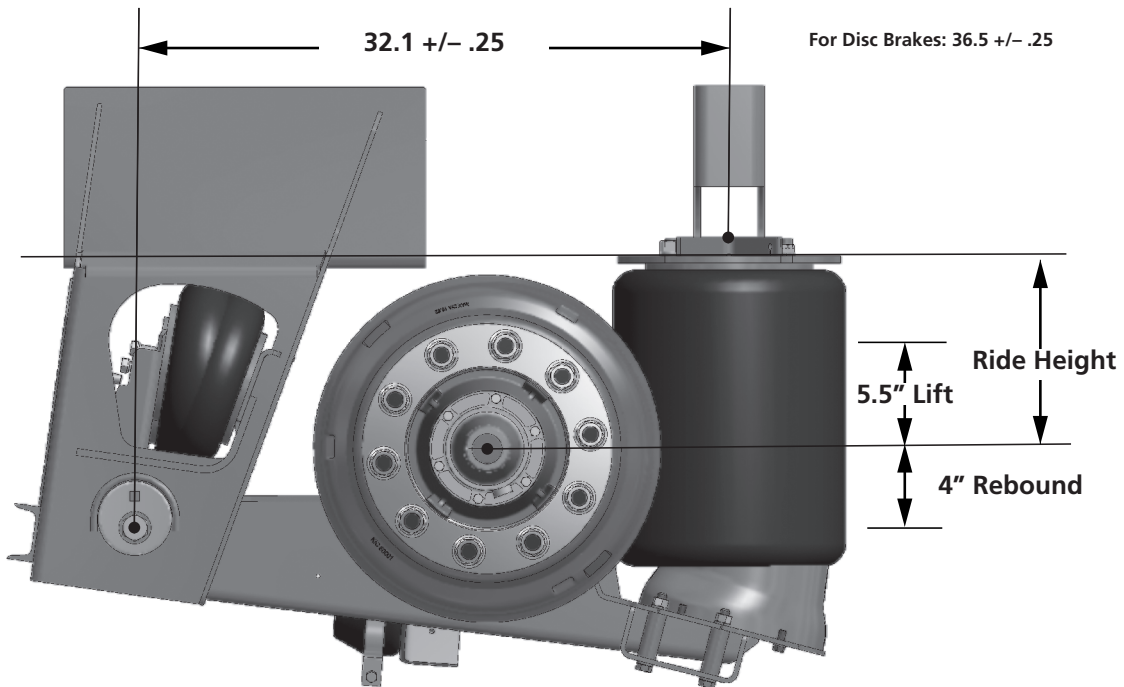
FM: TRUCK, Fixed 20K



FX: TRUCK, Fixed Roll-Off 13K

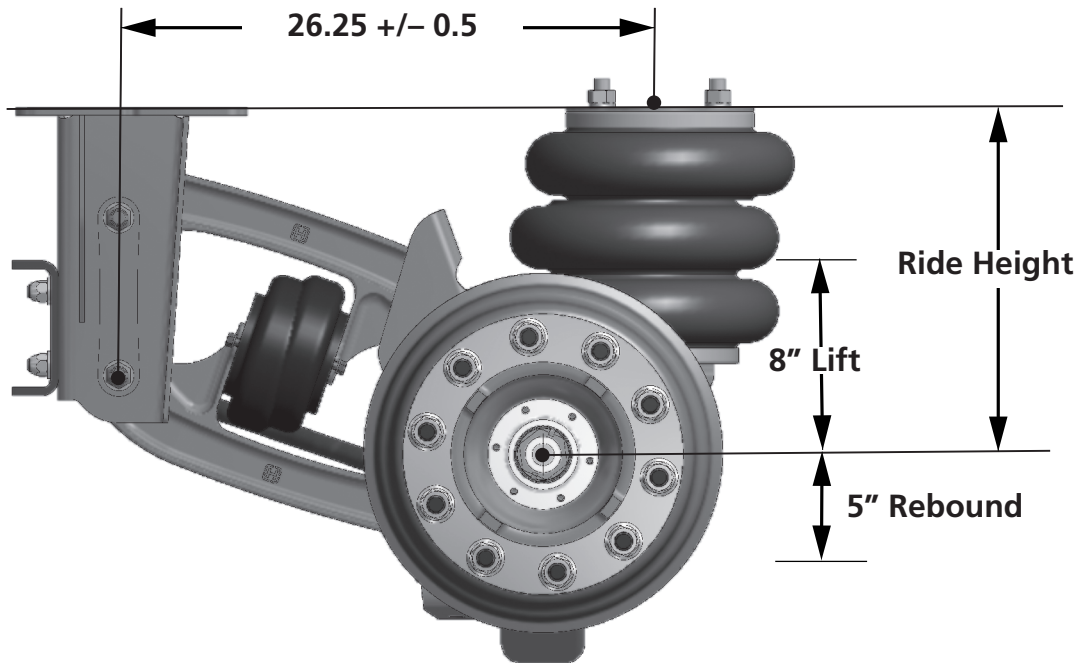


FM: TRUCK, Fixed Roll-Off 20K

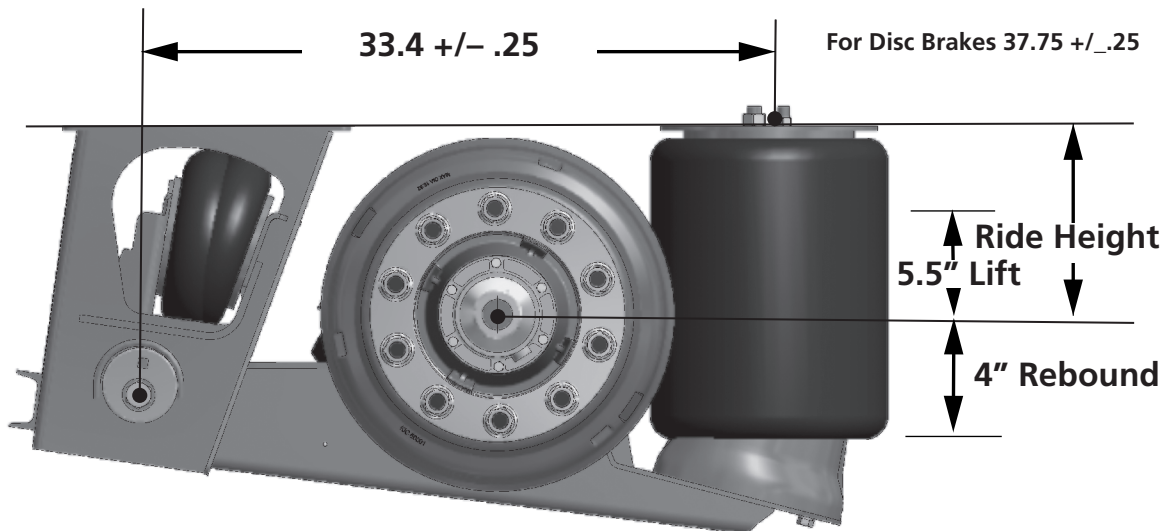




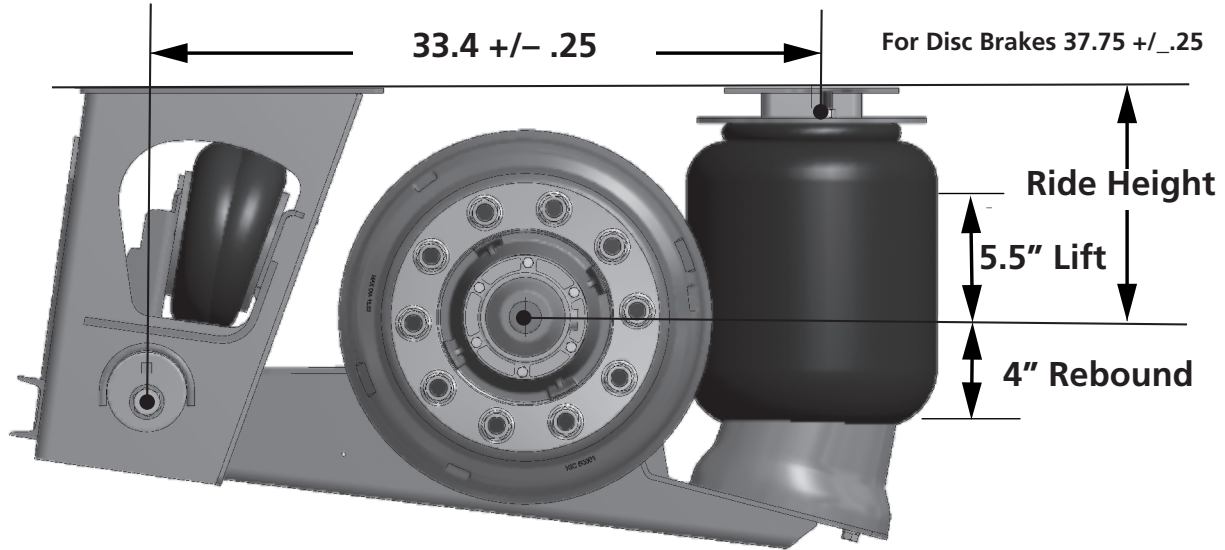
FX: TRAILER, Fixed 10K & 13K (Bolt-on & Weld-on)



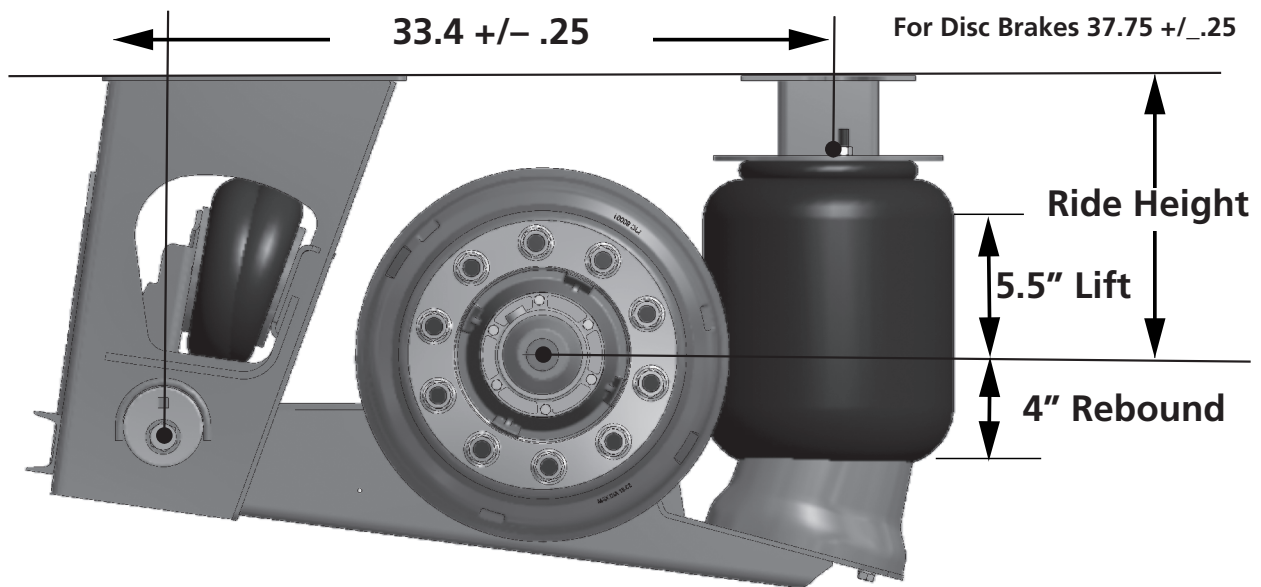
FM: TRAILER, Fixed 16K-25K: 10" Ride Height (Weld-on Only)



FM: TRAILER, Fixed 16K-25K: 11.5" Ride Height (Weld-on Only)

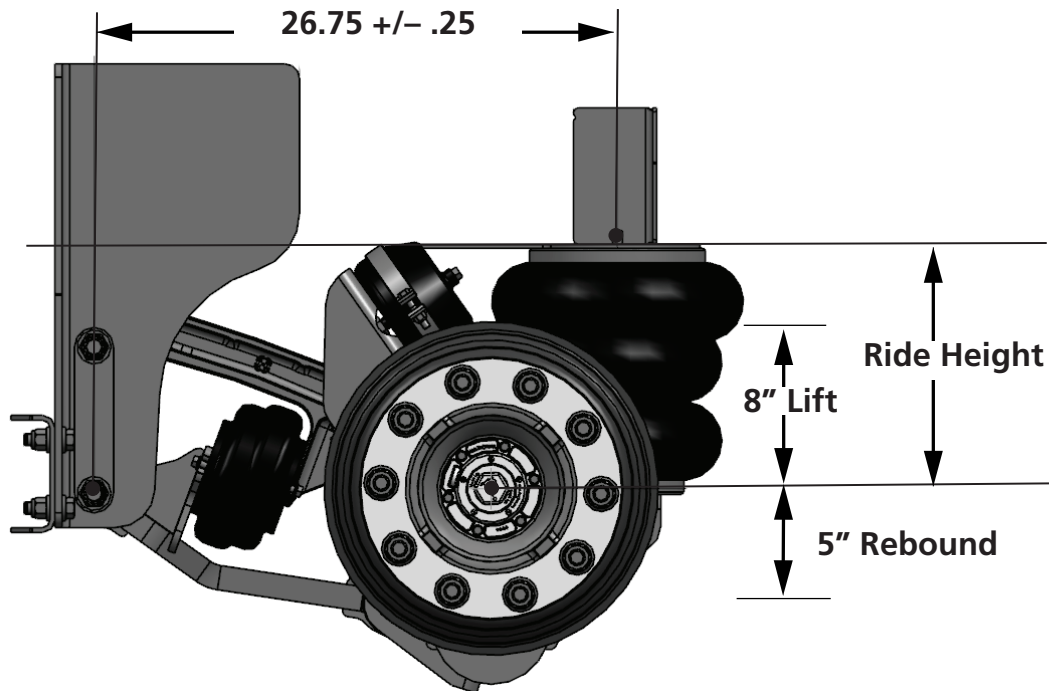


FM: TRAILER, Fixed 16K-25K: 14" Ride Height (Weld-on Only)

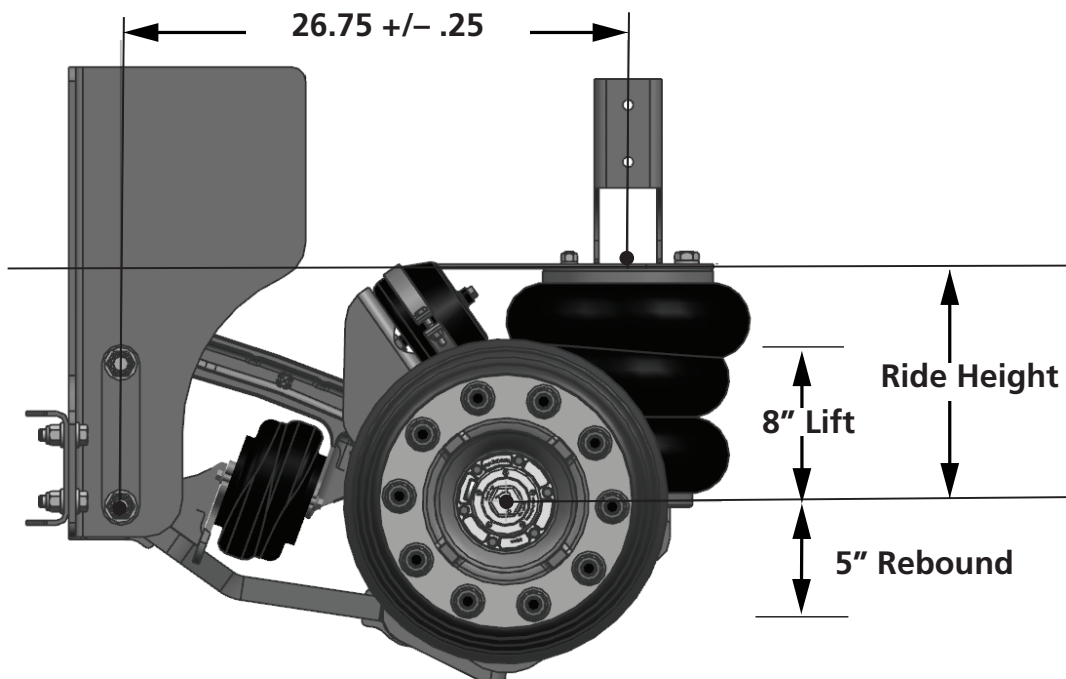




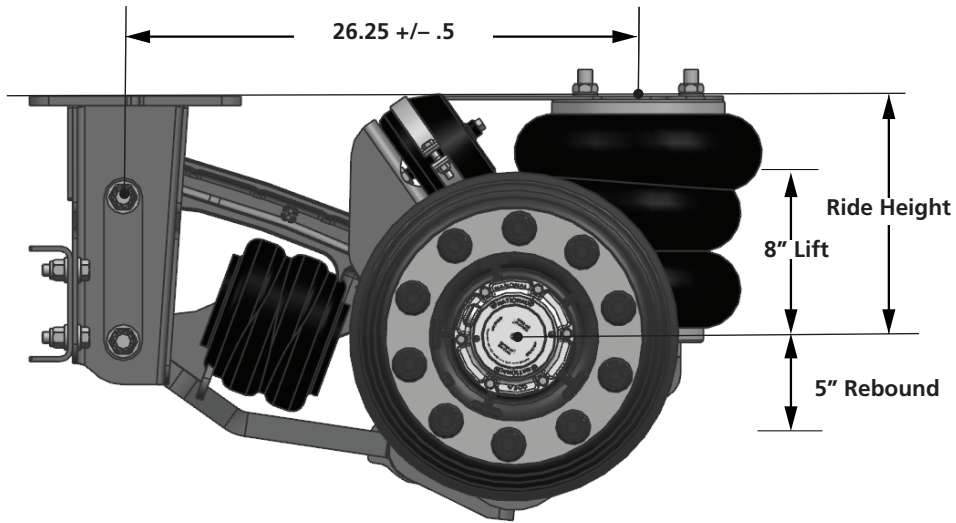
EXF: TRUCK, Fixed 13K



EXF: TRUCK, Fixed Roll-Off 13K



EXF: TRAILER, Fixed 13K (Weld-on & Bolt-on)



Notes:

*Actual product performance may vary depending upon vehicle configuration, operation, service and other factors.
All applications must comply with applicable Hendrickson specifications and must be approved by the respective vehicle manufacturer with the vehicle in its original, as-built configuration.
Contact Hendrickson for additional details regarding specifications, applications, capacities, and operation, service and maintenance instructions.*

Call Hendrickson at 800.660.2829 or 800.668.5360 in Canada for additional information.



www.hendrickson-intl.com

**SPECIALTY PRODUCTS -
AUXILIARY AXLE SYSTEMS**
277 North High Street
Hebron, OH 43025 USA
800.660.2829
740.929.5600 • Fax 740.929.5601

Hendrickson Canada
250 Chrysler Drive, Unit #3
Brampton, ON Canada L6S 6B6
800.668.5360
905.789.1030 • Fax 905.789.1033