

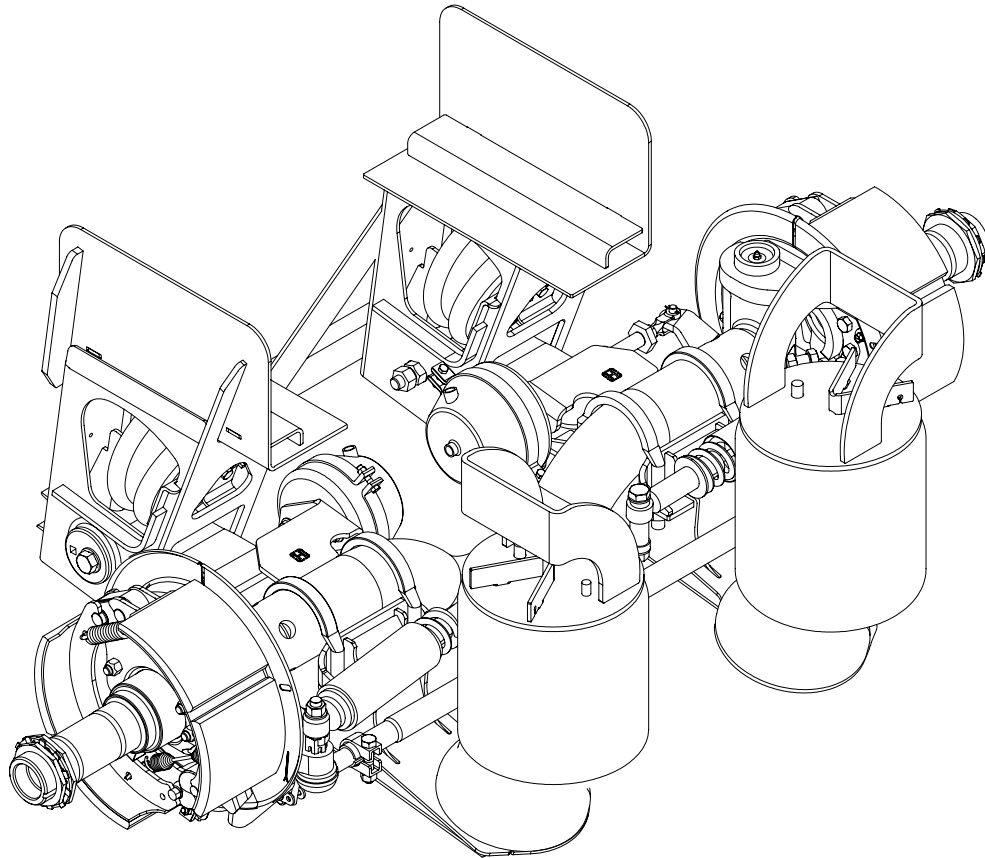
H PARTS LIST

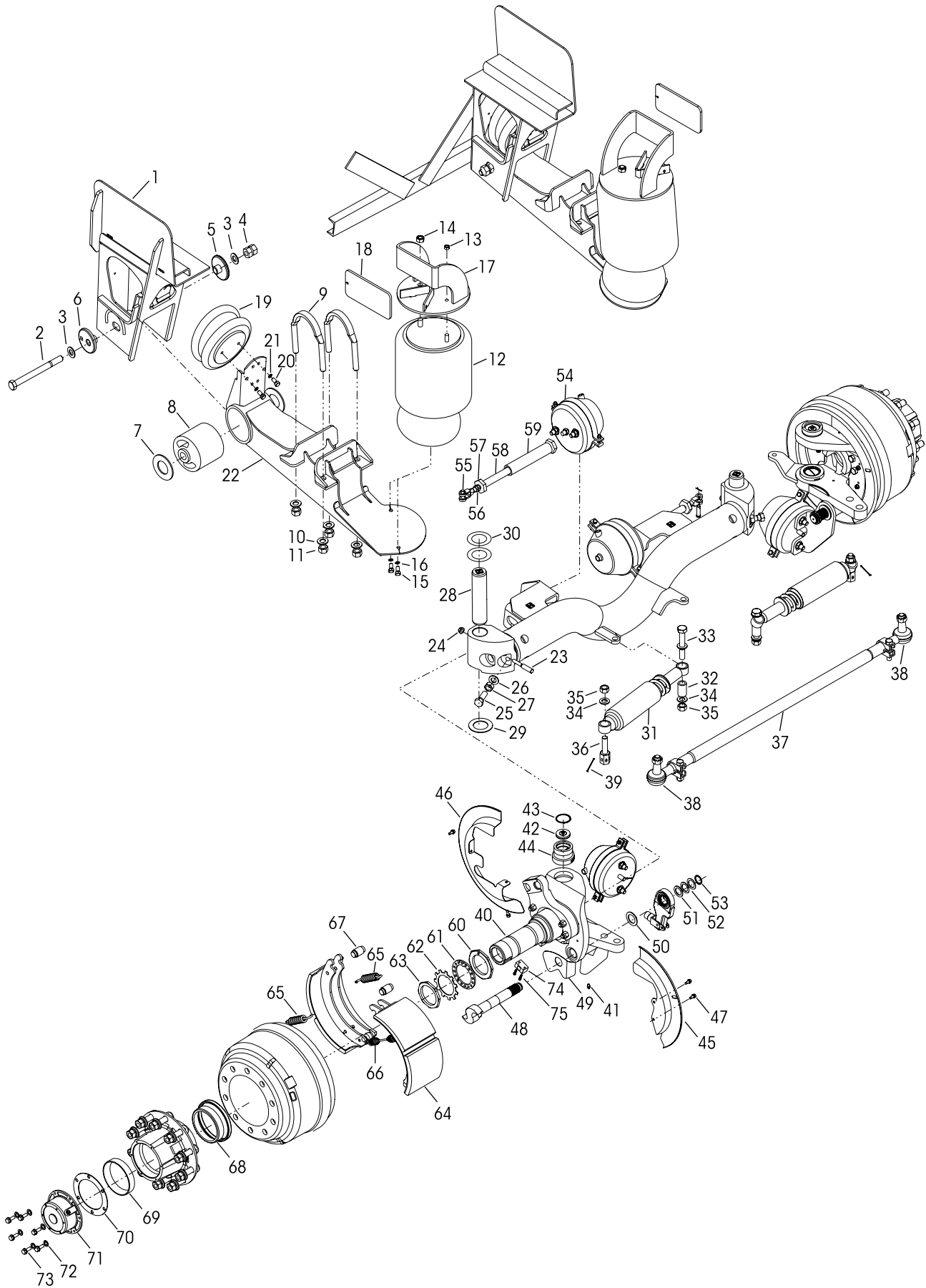
TOUGHLIFT™ LK Dual Tire Steer Lift Axle

LIT NO: PL-H758

DATE: March 2015

REVISION: B







TOUGHLIFT™ LK Dual Tire Steer Lift Axle

ITEM	PART NO.	DESCRIPTION	*NO.REQ.	ITEM	PART NO.	DESCRIPTION	*NO.REQ.
1	R-012757	Frame Hanger Assembly	1 EA		R-013484	Stabilizer Kit , Includes Item Nos. 31-36	1
	-9C1/-9C2	• 34" Frame Width 9.5" Ride Height		31	R-A-14496	Stabilizer	2
	-10C1/-10C2	10.5" Ride Height		32		**Spacer 0.812" X 1.25" X 1.120"	2
	-11C1/-11C2	11.5" Ride Height		33		**3/4"-10 X 4.5" Hex Bolt Phos Gr 8	2
	-12C1/-12C2	12.5" Ride Height		34		**3/4" Harden Washer Zinc	6
	-13C1/-13C2	13.5" Ride Height		35		**3/4"-10 Lock Nut Zinc Gr C	4
		• 35" Frame Width		36		**Stabilizer Shock Pin	2
	-9E1/-9E2	9.5" Ride Height		37	R-013590-X	Tie Rod Assembly, Includes Item No. 38	1
	-10E1/-10E2	10.5" Ride Height		38	R-005098-1/-2	Tie Rod Ends	1 EA
	-11E1/-11E2	11.5" Ride Height		39	R-011164	Cotter Pin	2
	-12E1/-12E2	12.5" Ride Height		40	R-012401	Knuckle Assembly	1 EA
	-13E1/-13E2	13.5" Ride Height			-1/-2 -1LS/-2LS	Standard with Lock Straight Bracket	
	R-004588	Pivot Bolt, Wear Pads and Bushing Kit , Includes Item Nos. 2-8, 76	2	41	R-002804	Zerk Fitting	2
	R-A-21116	Pivot Bolt Kit , Includes Item Nos. 2-6	2	42	R-012459	Kingpin Cap	4
2		**7/8"-9 X 10" Heavy Hex Screw	2	43	R-012460	Kingpin Cap Retaining Ring	4
3		**7/8" Washer Dacromet + L Harden	4	44	R-011562	Kingpin Housing	4
4	R-A-15122	QUIK-ALIGN® Service Nut	2		R-013485	Dust Shield Kit , Includes Item Nos. 45-47	1
5		**QUIK-ALIGN Concentric Collar	2	45		**Lower Dust Shield LKP	2
6		**QUIK-ALIGN Eccentric Collar	2	46		**Upper Dust Shield LKP	2
7	R-B-11613	Wear Pad	4	47		**5/16"-18 X 0.75" Bolt Zinc Tap Gr 8	8
8	R-C-3558	TRI-FUNCTIONAL® Bushing	2	48	R-012408-1/-2	S-Cam	1 EA
	R-006362	U-bolt Kit , Includes Item Nos. 9-11	1	49	R-013072-1/-2	S-Cam Washer Shield	1 EA
9		**U-bolt w/Coined Radius Grade 8	4	50	R-007203	S-Cam Inner Shield	2
10		**7/8"-14 Hex Nut Zinc Gr C	8	51	R-007121	S-Cam Flat Washer, Thick	2
11		**7/8" Narrow Washer Zinc Yellow RC40-45	8	52	R-007202	S-Cam Flat Washer, Thin	4
12	R-B-14249	Ride Spring	2	53	R-007122	S-Cam Clip	2
	R-A-1981	Ride Air Spring Fastener Kit , Includes Item Nos. 13-16	1		R-013912	Lock Straight Service Kit , Includes Item Nos. 54-59	1
13		**1/2"-13 Hex Nut Zinc Gr B	2	54	R-003513	Lock Straight Chamber, Includes Item No. 55	2
14		**3/4"-16 Hex Nut Zinc Gr B	2	55	R-007732	Clevis Assembly 5/8"-18	2
15		**1/2"-13 X 1.25" Hex Bolt Phos Gr 5	4	56	R-6010FH2JC	Lock Straight Jam Nut	6
16		**1/2" Lock Washer Zinc Reg	4	57	R-013184	Threaded Nut Plate	2
17	R-013495	Upper Air Spring Assembly	1 EA	58	R-012392	Clevis Guide Shaft	2
	-1/-2	9.5"-10.5" Ride Height		59	R-013362	Lock Straight Tube Assembly	2
	-C1/-C2	11.5" Ride Height			R-007463	P-22 HP Spindle Fastener Kit , Includes Item Nos. 60-63	2
	-E1/-E2	12.5" Ride Height		60		**P-22 HP Spindle Nut Inner	2
	-01/-02	13.5" Ride Height		61		**P-22 HP Spindle Lock Washer	2
18	R-013707	Upper Air Spring Frame Support Plate	2	62		**Tab Lock Washer 3.5" I.D.	2
19	R-B-14318	Lift Spring	2	63		**P-22 HP Spindle Nut Outer	2
	R-A-2849	Lift Spring Fastener Kit , Includes Item Nos. 20-21	2		R-009703-25H	QC Brake Shoe Kit , Includes Item Nos. 64-67	2
20		**3/8"-16 X 1.00" Hex Bolt Phos Gr 5	4	64		**Brake Shoe 16.5 X 7	2
21		**3/8" Lock Washer Zinc Reg	4	65		**Spring - Coil Or Retaining Spring	4
22	R-012752-1/-2	Beam Assembly	1 EA	66		**Spring - Brake Return 16.5" Brake Architecture	2
	R-012562	Draw Key Kit , Includes Item Nos. 23-24	2	67		**Pin - Anchor	4
23	R-008670	7/16"-20 Draw Key Lock Pin	2	68	R-A-14895	Hub Seal	2
24	R-6007FH4FC	7/16"-20 Locking Flange Nut	2	69	R-A-14897	Bearing Cone	2
	R-013913	Stop Bolt Service Kit , Includes Item Nos. 25-27	1		R-008182	Axle Components Kit , Includes Item Nos. 70-73	1
25	R-6112C300H4H8	3/4"-10 X 3.0" Hex Bolt	2	70	R-007454	Hubcap Gasket 6.75" BC 6-Hole	2
26	R-6212H2H	3/4" Washer	2	71	R-012899	Hubcap 6.75" BC; Oil; High Temp Sentinel Vent	2
27	R-6012CH2JC	3/4" Stop Bolt Jam Nut	2	72		**5/16" Lock Washer Zinc Reg	12
		Kingpin Kit ,		73		**5/16"-18 X 0.75" Hex Bolt Phos Gr 5	12
	R-013483	With Kingpin, Includes Item Nos. 28-30	1	74	R-013348	ABS Mounting Bracket	2
	R-013483-1	Without Kingpin, Includes Item Nos. 29-30	1	75	R-6104C088H4A8	ABS Bracket Screws	4
28	R-011600	Kingpin Slotted 2.125" Dia	2	76		**Bushing Lubricant - 2 oz. (not shown)	1
29	R-012681	Thrust Bearing	2				
30	R-012904	Shims	4				

NOTES * Quantities specified are shown per suspension. Quantities of service kit components may vary from amount shown in list, refer to the following service kit pages to confirm item quantities.

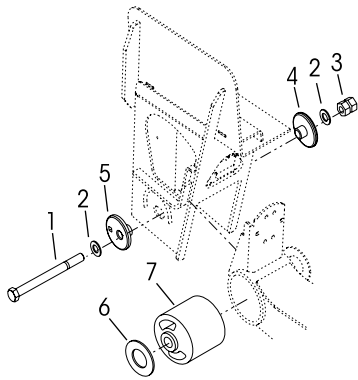
** Item included in assembly / kit only, part not sold separately.

*** Some components are determined by model specification, such as axles, brakes, and brake chambers. If the part is not listed, contact Hendrickson Specialty Products - Auxiliary Axle Systems with the lift axle model/serial number.



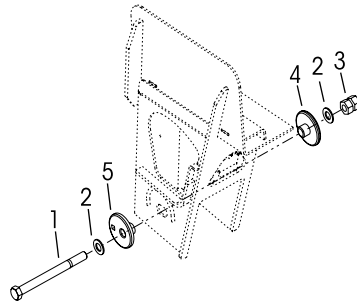
*** SERVICE KITS**

Service Kit No. R-004588 Pivot Bolt, Wear Pads and Bushing Kit



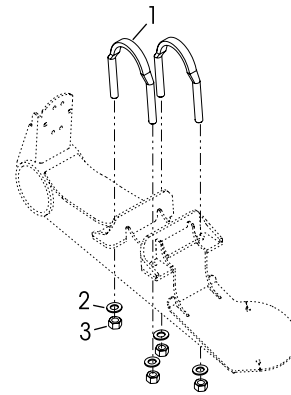
ITEM	CONTENTS	QTY.
1	7/8"-9 X 10" Heavy Hex Screw	1
2	7/8" Washer Dacroment + L Harden	2
3	QUIK-ALIGN Service Nut	1
4	QUIK-ALIGN Concentric Collar	1
5	QUIK-ALIGN Eccentric Collar	1
6	Wear Pad	4
7	Tri-Functional Bushing	1
8	Bushing Lubricant - 2 oz. (not shown)	1

Service Kit No. R-A-21116 Pivot Bolt Fasteners Kit



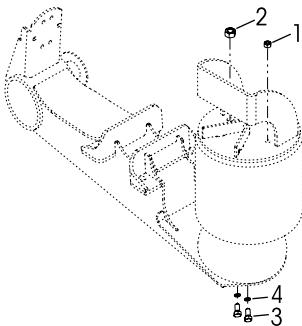
ITEM	CONTENTS	QTY.
1	7/8"-9 X 10" Heavy Hex Screw	1
2	7/8" Washer Dacroment + L Harden	2
3	QUIK-ALIGN Service Nut	1
4	QUIK-ALIGN Concentric Collar	1
5	QUIK-ALIGN Eccentric Collar	1

Service Kit No. R-006362 U-bolt Fasteners Kit



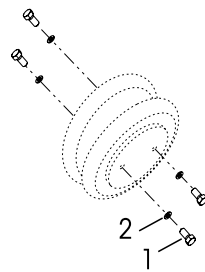
ITEM	CONTENTS	QTY.
1	U-bolt w/Coined Radius Grade 8	4
2	7/8"-14 Hex Nut Zinc Gr C	8
3	7/8" Narrow Washer Zinc Yellow RC40-45	8

Service Kit No. R-A-1981 Ride Air Spring Fasteners Kit



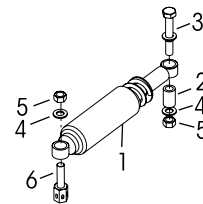
ITEM	CONTENTS	QTY.
1	1/2"-13 Hex Nut Zinc Gr B	2
2	3/4"-16 Hex Nut Zinc Gr B	2
3	1/2"-13 X 1.25" Hex Bolt Phos Gr 5	4
4	1/2" Lock Washer Zinc Reg	4

Service Kit No. R-A-2849 Lift Air Spring Fasteners Kit



ITEM	CONTENTS	QTY.
1	3/8"-16 X 1.00" Hex Bolt Phos Gr 5	4
2	3/8" Lock Washer Zinc Reg	4

Service Kit No. R-013484 Stabilizer Kit

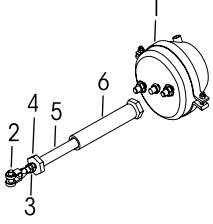
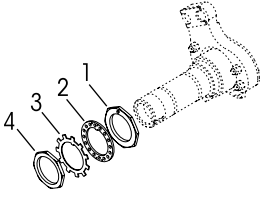
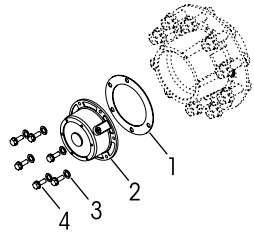
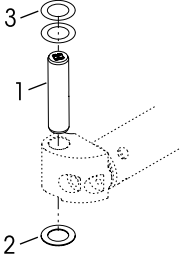
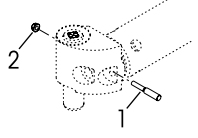
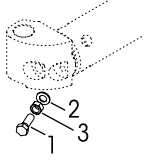
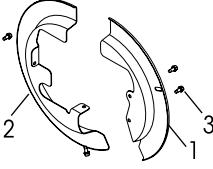
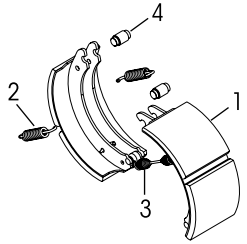


ITEM	CONTENTS	QTY.
1	Stabilizer	2
2	Spacer 0.812" X 1.25" X 1.120"	2
3	3/4"-10 X 4.5" Hex Bolt Phos Gr 8	2
4	3/4" Harden Washer Zinc	6
5	3/4"-10 Lock Nut Zinc Gr C	4
6	Stabilizer Shock Pin	2

* Quantities specified are shown per service kit. Refer to Page 3 for quantities of service kits needed per suspension.



*** SERVICE KITS**

Service Kit No.	Lock Straight Service Kit R-013912	Service Kit No.	P-22 HP Spindle Fastener Kit R-007463	Service Kit No.	Axle Components Kit R-008182			
								
ITEM	CONTENTS	QTY.	ITEM	CONTENTS	QTY.	ITEM	CONTENTS	QTY.
1	Lock Straight Chamber	2	1	P-22 Spindle Nut Inner	1	1	Hubcap Gasket 6.75" BC 6-Hole	2
2	Clevis Assembly 5/8"-18	2	2	P-22 Spindle Lock Washer	1	2	Hubcap 6.75" BC; Oil; High Temp Sentinel Vent	2
3	Lock Straight Jam Nut	6	3	Tab Lock Washer 3.5" I.D.	1	3	5/16" Lock Washer Zinc Reg	12
4	Threaded Nut Plate	2	4	P-22 Spindle Nut Outer	1	4	5/16"-18 X 0.75" Hex Bolt Phos Gr 5	12
5	Clevis Guide Shaft	2						
6	Lock Straight Tube Assembly	2						
Service Kit No.	Kingpin Kit R-013483 With Kingpin R-013483-1 Without Kingpin	Service Kit No.	Draw Key Kit R-012562	Service Kit No.	Stop Bolt Service Kit R-013913			
								
ITEM	CONTENTS	QTY.	ITEM	CONTENTS	QTY.	ITEM	CONTENTS	QTY.
1	Kingpin Slotted 2.125" Dia	2	1	7/16"-20 Draw Key Lock Pin	2	1	3/4"-10 X 2.25" Hex Bolt	2
2	Thrust Bearing	2	2	7/16"-20 Locking Flange Nut	2	2	3/4" Washer	2
3	Shims	4				3	3/4" Stop Bolt Jam Nut	2
Service Kit No.	Dust Shield Kit R-013485	Service Kit No.	QC Brake Shoe Kit R-009703-25H					
								
ITEM	CONTENTS	QTY.	ITEM	CONTENTS	QTY.			
1	Lower Dust Shield LKP	2	1	Brake Shoe 16.5 X 7	1			
2	Upper Dust Shield LKP	2	2	Spring - Coil Or Retaining Spring	2			
3	5/16"-18 X 0.75" Bolt Zinc Tap Gr 8	8	3	Spring - Brake Return 16.5" Brake Architecture	1			
			4	Pin - Anchor	2			

* Quantities specified are shown per service kit. Refer to Page 3 for quantities of service kits needed per suspension.

This is a general parts list to provide directional information. Components may vary by model. Questions in regards to parts, contact Hendrickson Auxiliary Axle Systems at 1.800.660.2829 (Toll-free U.S. and Canada), 1.740.929.5600 (Outside U.S. and Canada) or e-mail: LiftAxle@hendrickson-intl.com.

www.hendrickson-intl.com



Specialty Products - Auxiliary Axle Systems
277 North High Street
Hebron, OH 43025-8008 USA
1.800.660.2829 (Toll-free U.S. and Canada)
1.740.929.5600 (Outside U.S. and Canada)
Fax 1.740.929.5601

Hendrickson Canada
250 Chrysler Drive, Unit #3
Brampton, ON L6S 6B6 Canada
905.789.1030
Fax 905.789.1033