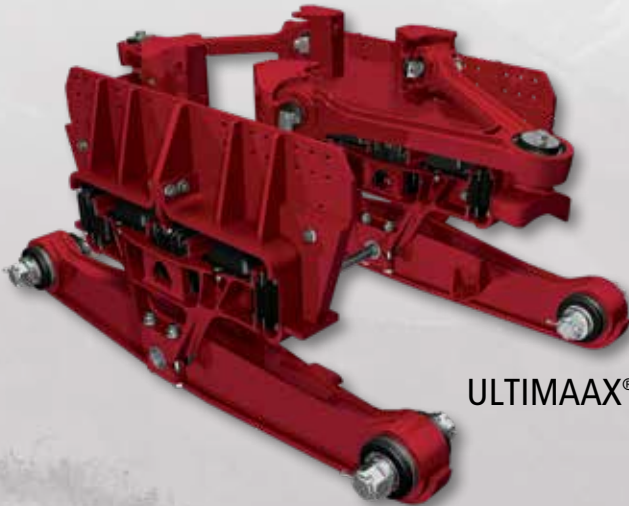
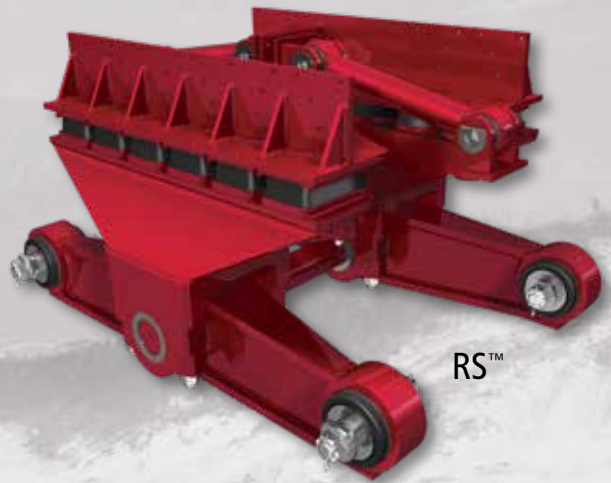


- Outstanding durability and stability in severe applications



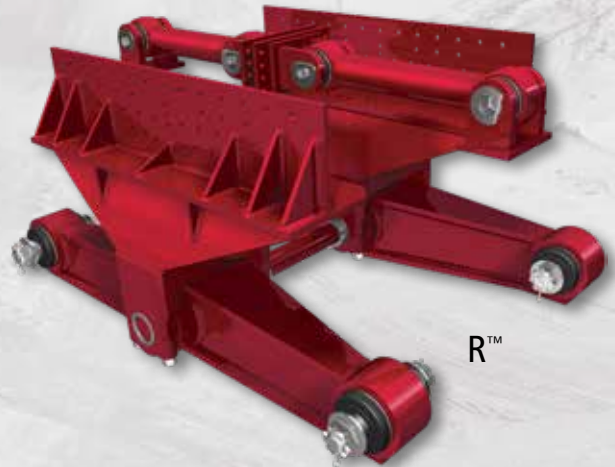
ULTIMAAX®



RS™



RT™



R™

To learn more about Severe-Service options, call 855.743.3733 or visit [www.hendrickson-intl.com](http://www.hendrickson-intl.com)

## Hendrickson offers 65,000 to 120,000 pound capacity suspensions to the severe-service market.

Severe-service operations often require unique suspension solutions to handle extreme loads and applications. Hendrickson offers severe-service tandem-axle suspensions for special purpose trucks, trailers, crane carriers or any other specialized piece of equipment.

### Severe-service versions of our legendary beam suspensions

We've incorporated all the benefits of Hendrickson beam-type suspensions into the severe-service portfolio. These suspensions are built tougher to handle more extreme loads.

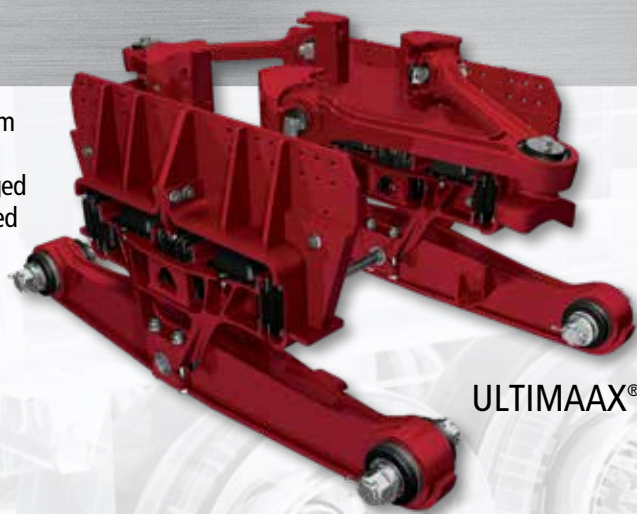
- **ULTIMAAX®** – Advanced severe-duty rubber suspension, up to 70K lb. capacity
- **RT™** – Incorporates multi-leaf springs, up to 70K lb. capacity
- **RS™** – Utilizes rubber load cushions, up to 120K lb. capacity
- **R™** – Provides a rigid connection between the frame and the axles, up to 120K lb. capacity

### Above all, they live and perform to help maximize your vehicle's performance

- Traction is critical in severe-service applications. The equalizing beams distribute weight equally between the axles producing excellent traction.
- Transverse torque rods provide the additional stability needed for severe loads.
- Proven rubber center bushings and end bushings eliminate the need for lubrication and are maintenance free. They've proven their dependability under tough road conditions.

### ULTIMAAX® – Advanced severe-duty rubber suspension

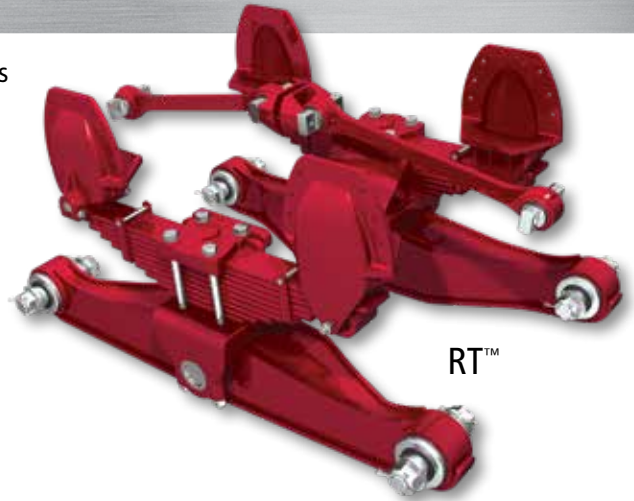
The integration of Hendrickson's proven walking (equalizing) beam technology, with its patented<sup>^</sup> progressive rate spring, provides a balance of loaded stability and unloaded ride quality even in rugged environments. The ULTIMAAX® severe-service suspension has rated capacities of up to 70,000 pounds.



<sup>^</sup>This product is covered by at least one or more U.S. and/or foreign patents and/or pending U.S. and/or foreign patent applications. See Hendrickson for details.

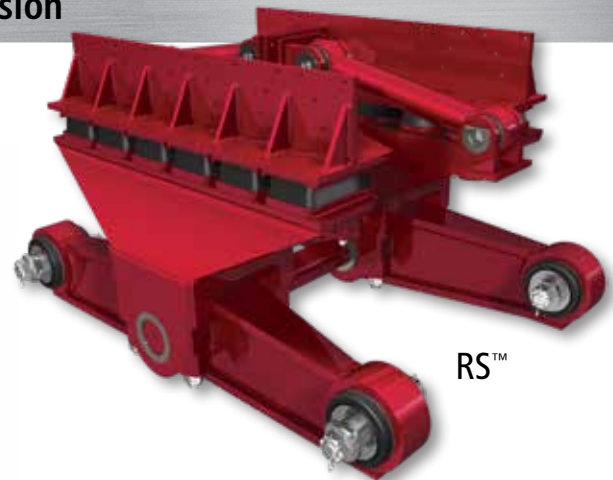
## **RT™** – A leaf spring off-highway suspension

Hendrickson's legendary RT™ multi-leaf spring suspension design helps cushion the load and reduce the impact of road inputs. Hendrickson designs and manufactures every leaf spring and saddle assembly to provide the appropriate ride height. Then it is paired up with the equalizing beam of the desired axle spacing. The RT suspension has a rated capacities up to 70,000 pounds.



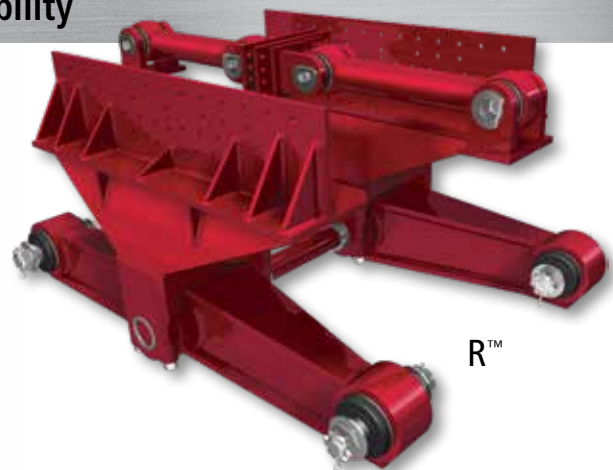
## **RS™** – A rubber load cushion off-highway suspension

The specially formulated rubber load cushions in the RS™ suspension are used to absorb road inputs and disperse load forces. The RS provides high durability and low maintenance. RS capacities range from 65,000 to 120,000 pounds.



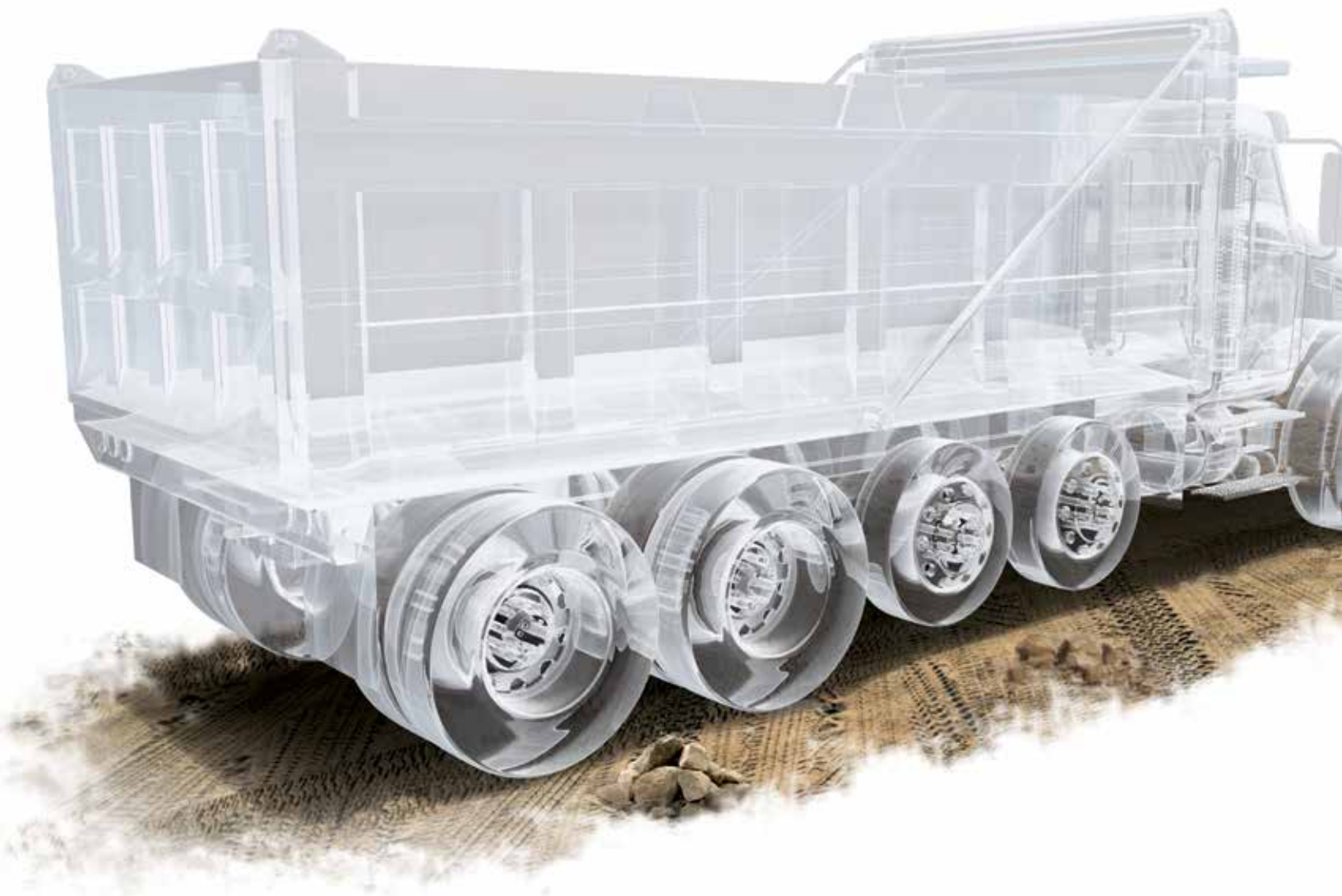
## **R™** – A solid mount suspension for maximum stability

The R™ suspension provides superior stability. It simply won't give. The equalizing beams are mounted to the frame with solid-mount saddles. Capacities range from 65,000 to 120,000 pounds.



## A severe-service suspension built for you

Hendrickson designs its suspensions to meet your needs in demanding applications. Built for rugged terrain and strenuous payload, Hendrickson severe-service suspensions are a reliable solution to get the job done.



**Hendrickson Genuine Parts** are the same quality components installed in Hendrickson original equipment suspensions — consisting of the same design, construction, performance and durability. There's only one way to maintain and protect your suspension's original performance. Ask for the name that is synonymous with the finest manufactured suspensions in the world.

*Actual product performance may vary depending upon vehicle configuration, operation, service and other factors.*

*All applications must comply with applicable Hendrickson specifications and must be approved by the respective vehicle manufacturer with the vehicle in its original, as-built configuration. Contact Hendrickson for additional details regarding specifications, applications, capacities, and operation, service and maintenance instructions.*

Call Hendrickson at **630.910.2800** or **855.RIDERED (743.3733)** for additional information.



[www.hendrickson-intl.com](http://www.hendrickson-intl.com)

#### TRUCK COMMERCIAL VEHICLE SYSTEMS

800 South Frontage Road  
Woodridge, IL 60517-4904 USA  
855.RIDERED (743.3733)  
630.910.2800 • Fax 630.910.2899

45745-015 11-19

© 2019 Hendrickson USA, L.L.C. All Rights Reserved. All trademarks shown are owned by Hendrickson USA, L.L.C., or one of its affiliates, in one or more countries. Information contained in this literature was accurate at the time of publication. Product changes may have been made after the copyright date that are not reflected.

Printed in United States of America