

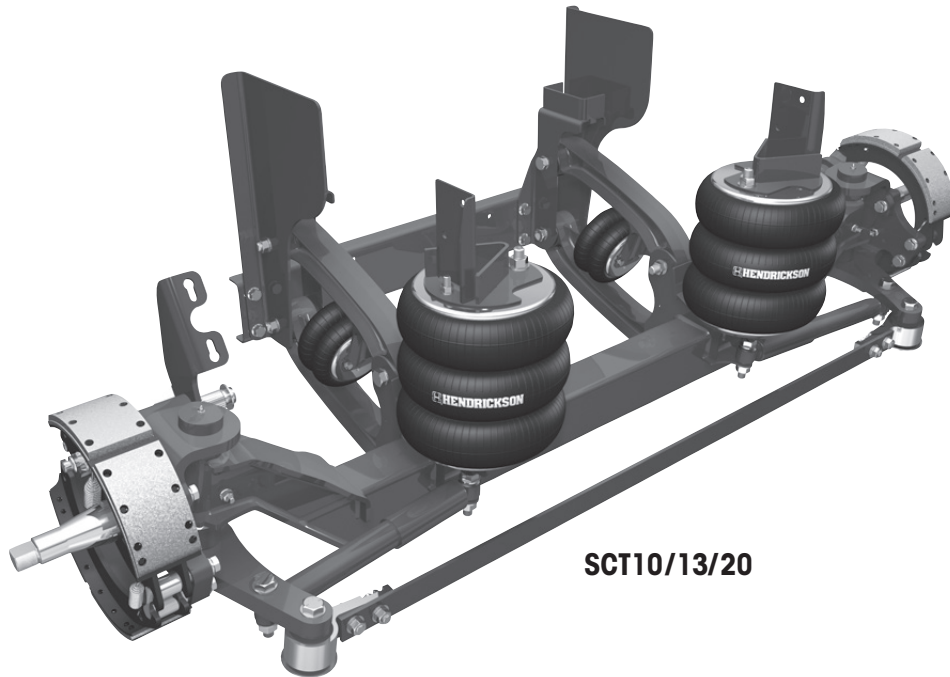
H PARTS LIST

REPLACEMENT PARTS COMPOSILITE® SC STEERABLE SUSPENSION SYSTEMS

LIT NO: PL – H732

DATE: January 2020

REVISION: C



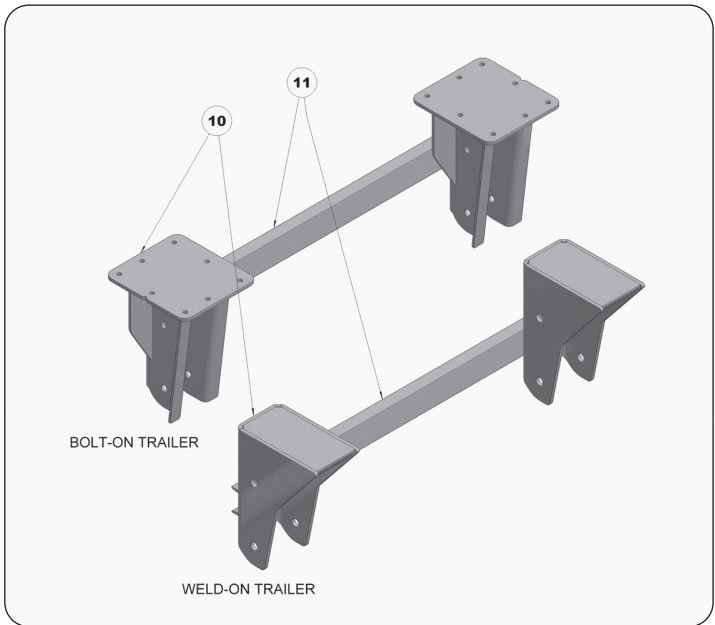
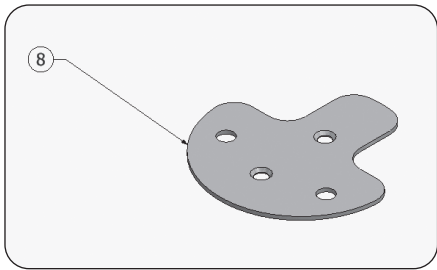
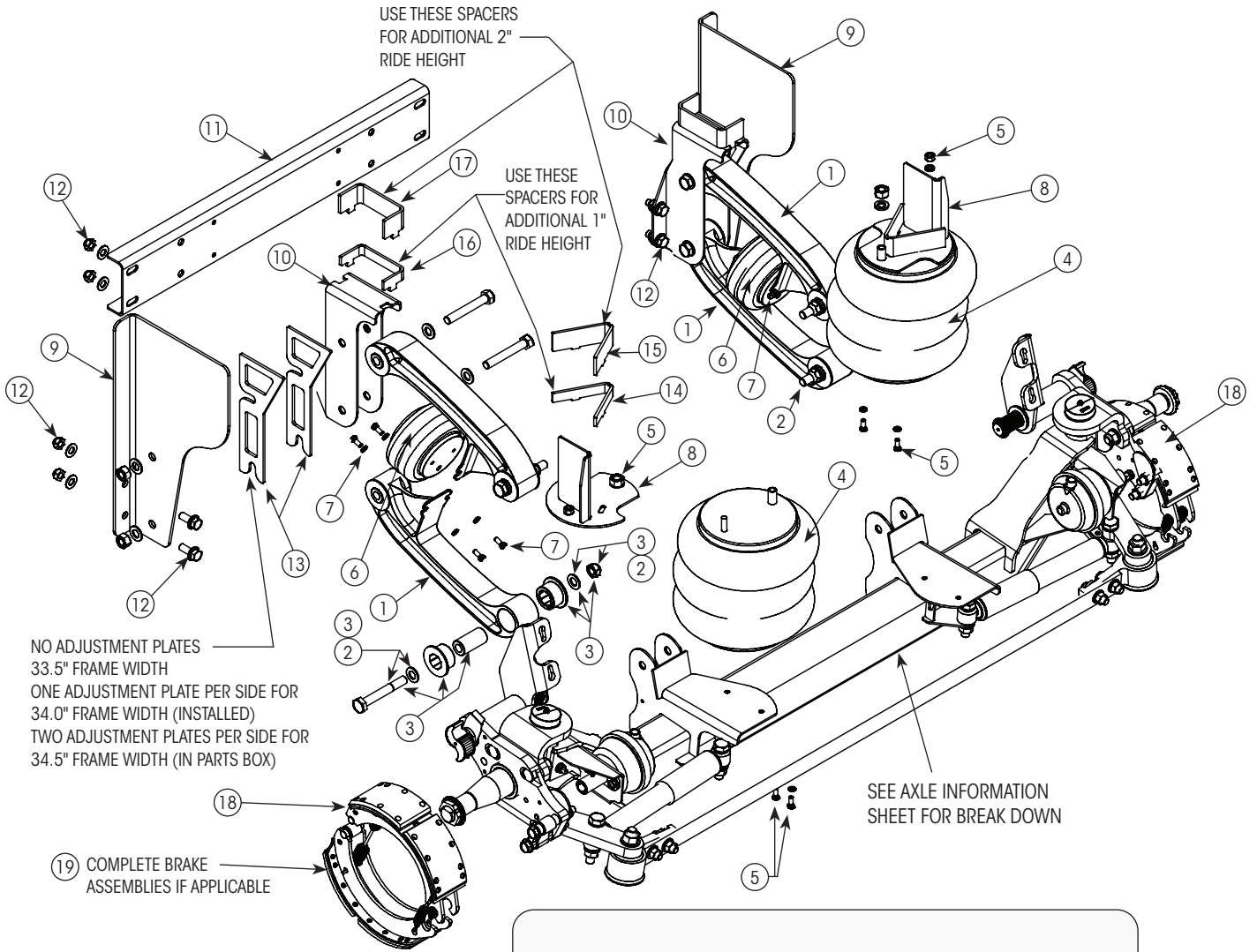
SCT10/13/20

REPLACEMENT PARTS FOR AFTERMARKET SC SUSPENSIONS



TRUCK MOUNT

IMPORTANT!: Part numbers indicated in this document can have extensions like "-1/-2" or "-1/-2/-3". When inquiring about part numbers or placing orders, please keep in mind that each extension indicates a different part. The extensions -1 and -2 often refer to parts specific to driver's side (left) and passenger's side (right), respectively. The extensions -1, -2, -3 indicate different sizes/widths of the same part. Please contact Hendrickson Technical & Warranty Support if you have questions: liftaxletech@hendrickson-intl.com





REPLACEMENT PARTS FOR AFTERMARKET SC SUSPENSIONS

TRUCK MOUNT: ITEMS 1 - 8

ITEM	DESCRIPTION	YEARS OF SERVICE	SUSPENSION SERIES	TRUCK PREFIX	QTY.	PART NO.
1	BEAM ASSEMBLY	2010 - Present	SC 10K	SCT10	4	R-009690
		2010 - Present	SC10K ADJ	SCT10	4	R-009690
		2010 - Present	SC13K	SCT13	4	R-008940
		2010 - Present	SC13K ADJ	SCT13	4	R-008940
		2010 - Present	SC20K	SCT20	4	R-010125
		2010 - Present	SC 20K ADJ	SCT20	4	R-010125
2	PIVOT BOLT KIT	2010 - Present	SC 10K	SCT10	1	R-014607-0002
		2010 - Present	SC10K ADJ	SCT10	1	R-014607-0002
		2010 - Present	SC13K	SCT13	1	R-014607-0002
		2010 - Present	SC13K ADJ	SCT13	1	R-014607-0002
		2010 - Present	SC20K	SCT20	1	R-014607-0007
		2010 - Present	SC 20K ADJ	SCT20	1	R-014607-0008
3	BUSHING & PIVOT BOLT KIT	2010 - Present	SC 10K	SCT10	1	R-008839
		2010 - Present	SC10K ADJ	SCT10	1	R-008839-1
		2010 - Present	SC13K	SCT13	1	R-008839
		2010 - Present	SC13K ADJ	SCT13	1	R-008839-1
		2010 - Present	SC20K	SCT20	1	R-008839-2
		2010 - Present	SC 20K ADJ	SCT20	1	R-008839-3
4	RIDE SPRING	2010 - Present	SC 10K	SCT10	2	R-B-14487
		2010 - Present	SC10K ADJ	SCT10	2	R-B-14487
		2010 - Present	SC13K	SCT13	2	R-B-14487
		2010 - Present	SC13K ADJ	SCT13	2	R-B-14487
		2010 - Present	SC20K	SCT20	2	R-01346
		2010 - Present	SC 20K ADJ	SCT20	2	R-01346
5	RIDE SPRING BOLT KIT	2010 - Present	SC 10K	SCT10	2	R-007596
		2010 - Present	SC10K ADJ	SCT10	2	R-007596
		2010 - Present	SC13K	SCT13	2	R-007596
		2010 - Present	SC13K ADJ	SCT13	2	R-007596
		2010 - Present	SC20K	SCT20	2	R-01357
		2010 - Present	SC 20K ADJ	SCT20	2	R-01357
6	LIFT SPRING	2010 - Present	SC 10K	SCT10	2	R-005079
		2010 - Present	SC10K ADJ	SCT10	2	R-005079
		2010 - Present	SC13K	SCT13	2	R-005079
		2010 - Present	SC13K ADJ	SCT13	2	R-005079
		2010 - Present	SC20K	SCT20	2	R-010214
		2010 - Present	SC 20K ADJ	SCT20	2	R-010214
		1999 - Present	PST13 KIT ONLY	PST13	2	R-B-14486
7	LIFT SPRING BOLT KIT	2010 - Present	SC 10K	SCT10	1	R-A-1134
		2010 - Present	SC10K ADJ	SCT10	1	R-A-1134
		2010 - Present	SC13K	SCT13	1	R-A-1134
		2010 - Present	SC13K ADJ	SCT13	1	R-A-1134
		2010 - Present	SC20K	SCT20	1	R-A-1134
		2010 - Present	SC 20K ADJ	SCT20	1	R-A-1134
8	UPPER AIR SPRING PLATE	2010 - Present	SC 10K	SCT10	1	R-005065-1/-2
		2010 - Present	SC10K ADJ	SCT10	1	R-005065-1/-2
		2010 - Present	SC13K	SCT13	1	R-005065-1/-2
		2010 - Present	SC13K ADJ	SCT13	1	R-005065-1/-2
		2010 - Present	SC20K	SCT20	1	R-010040-1/-2
		2010 - Present	SC 20K ADJ	SCT20	1	R-010108-1/-2

REPLACEMENT PARTS FOR AFTERMARKET SC SUSPENSIONS



ITEM	DESCRIPTION	YEARS OF SERVICE	SUSPENSION SERIES	TRUCK PREFIX	QTY.	PART NO.
9	HANGER SIDE RAIL	2010 – Present	SC 10K	SCT10	1	R-008937-1/-2
		2010 – Present	SC10K ADJ	SCT10	1	R-008937-1/-2
		2010 – Present	SC13K	SCT13	1	R-008937-1/-2
		2010 – Present	SC13K ADJ	SCT13	1	R-008937-1/-2
		2010 – Present	SC20K	SCT20	1	R-010143-1/-2
		2010 – Present	SC 20K ADJ	SCT20	1	R-010143-1/-2
10	BUSHING SADDLE	2010 – Present	SC 10K	SCT10	1	R-008936-1/-2
		2010 – Present	SC10K ADJ	SCT10	1	R-008936-1/-2
		2010 – Present	SC13K	SCT13	1	R-008936-1/-2
		2010 – Present	SC13K ADJ	SCT13	1	R-008936-1/-2
		2010 – Present	SC20K	SCT20	1	R-010144-1/-2
		2010 – Present	SC 20K ADJ	SCT20	1	R-010144-1/-2
11	CROSS MEMBER	2010 – Present	SC 10K	SCT10	1	R-008938-1/-2/-3
		2010 – Present	SC10K ADJ	SCT10	1	R-008939
		2010 – Present	SC13K	SCT13		R-008938-1/-2/-3
		2010 – Present	SC13K ADJ	SCT13		R-008939
		2010 – Present	SC20K	SCT20	1	R-007041-1/-2/-3
		2010 – Present	SC 20K ADJ	SCT20	1	R-007944
12	CROSS MEMBER BOLT KIT	2010 – Present	SC 10K	SCT10	1	R-007677
		2010 – Present	SC10K ADJ	SCT10	1	R-007677
		2010 – Present	SC13K	SCT13	1	R-007677
		2010 – Present	SC13K ADJ	SCT13	1	R-007677
		2010 – Present	SC20K	SCT20	1	R-009046
		2010 – Present	SC 20K ADJ	SCT20	1	R-009046
13	FRAME WIDTH SPACERS	2010 – Present	SC10K ADJ	SCT10	2	R-008299
		2010 – Present	SC13K ADJ	SCT13	2	R-008299
		2010 – Present	SC 20K ADJ	SCT20	2	R-008299
14	1" RIDE HEIGHT SPRING SPACER	2010 – Present	SC10K ADJ	SCT10	2	R-007425-1
		2010 – Present	SC13K ADJ	SCT13	2	R-007425-1
		2010 – Present	SC 20K ADJ	SCT20	2	R-008340-1
15	2" RIDE HEIGHT SPRING SPACER	2010 – Present	SC10K ADJ	SCT10	2	R-007425-2
		2010 – Present	SC13K ADJ	SCT13	2	R-007425-2
		2010 – Present	SC 20K ADJ	SCT20	2	R-008340-2
16	1" RIDE HEIGHT SADDLE SPACER	2010 – Present	SC10K ADJ	SCT10	2	R-007417-1
		2010 – Present	SC13K ADJ	SCT13	2	R-007417-1
		2010 – Present	SC 20K ADJ	SCT20	2	R-008154-1
17	2" RIDE HEIGHT SADDLE SPACER	2010 – Present	SC10K ADJ	SCT10	2	R-007417-2
		2010 – Present	SC13K ADJ	SCT13	2	R-007417-2
		2010 – Present	SC 20K ADJ	SCT20	2	R-008154-2
18	QC BRAKE SHOE KIT	2010 – Present	SC 10K	SCT10	2	R-006097
		2010 – Present	SC10K ADJ	SCT10	2	R-006097
		2010 – Present	SC13K	SCT13	2	R-007442-B
		2010 – Present	SC13K ADJ	SCT13	2	R-007442-B
		2010 – Present	SC20K	SCT20	2	R-010112
		2010 – Present	SC 20K ADJ	SCT20	2	R-010112
19	COMPLETE BRAKE ASSEMBLY	2010 – Present	SC 8K/10K	SCT10	1	R-005896-1/-2
		2010 – Present	SC 8K/10K ADJ	SCT10	1	R-005896-1/-2



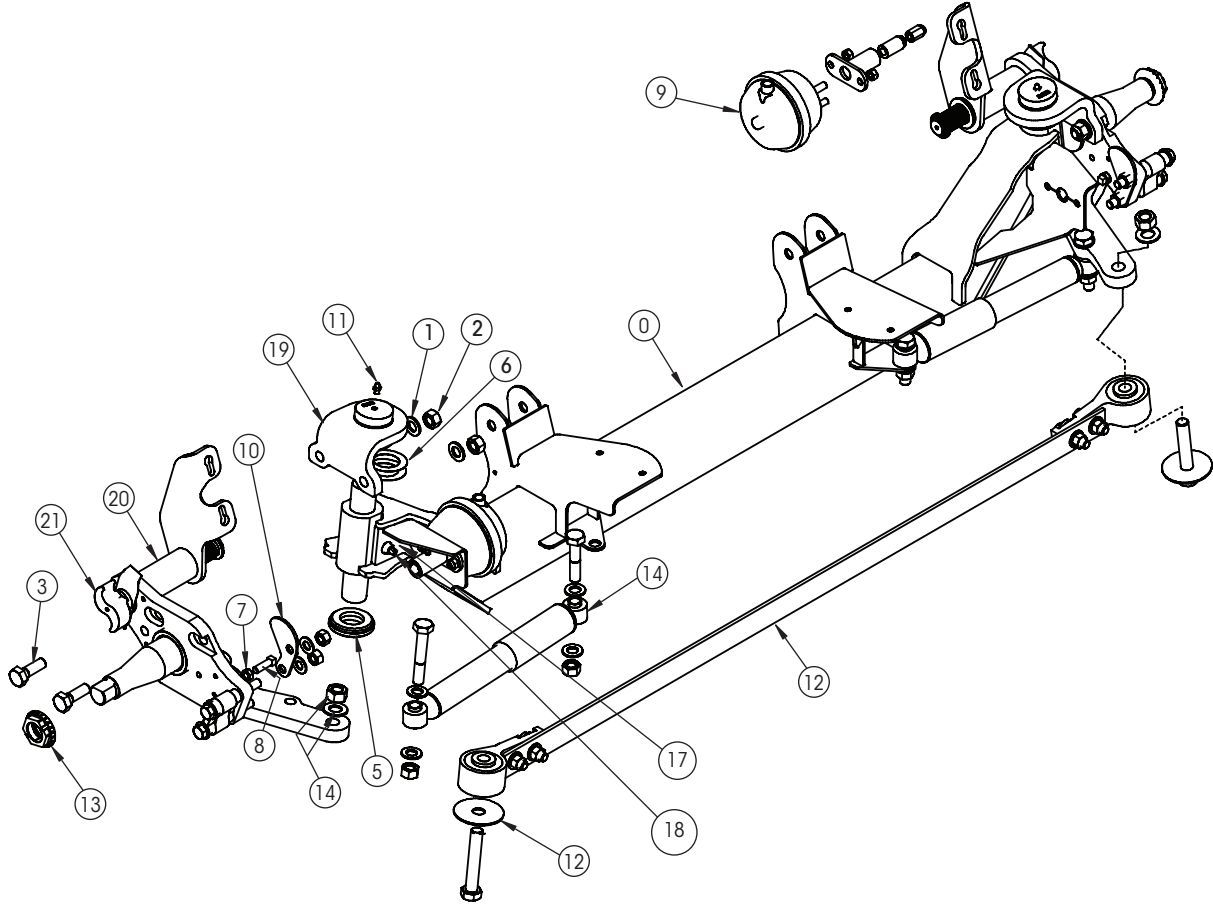
REPLACEMENT PARTS FOR AFTERMARKET SC SUSPENSIONS

ITEM	DESCRIPTION	YEARS OF SERVICE	SUSPENSION SERIES	TRAILER PREFIX	QTY.	PART NO.
1	BEAM ASSEMBLY	2010 – Present	SCW	SCW13	4	R-008940
		2010 – Present	SCB	SCB13	4	R-008940
2	PIVOT BOLT KIT	2010 – Present	SCW	SCW13	1	R-014607-0001
		2010 – Present	SCB	SCB13	1	R-014607-0001
3	BUSHING AND PIVOT BOLT KIT	2010 – Present	SCW	SCW13	1	R-008839
		2010 – Present	SCB	SCB13	1	R-008839
4	RIDE SPRING	2010 – Present	SCW	SCW13	2	R-001015
		2010 – Present	SCB	SCB13	2	R-001015
5	RIDE SPRING BOLT KIT	2010 – Present	SCW	SCW13	2	R-A-13075
		2010 – Present	SCB	SCB13	2	R-A-13075
6	LIFT SPRING	2010 – Present	SCW	SCW13	2	R-005079
		2010 – Present	SCB	SCB13	2	R-005079
7	LIFT SPRING BOLT KIT	2010 – Present	SCW	SCW13	1	R-A-1134
		2010 – Present	SCB	SCB13	1	R-A-1134
8	UPPER AIR SPRING PLATE	2010 – Present	SCW	SCW13	2	R-005168
		2010 – Present	SCB	SCB13	2	R-005168
9	TWO (2) SADDLES AND ONE (1) CROSSMEMBER WELDMENT	2010 – Present	SCW	SCW13	1	R-005021
		2010 – Present	SCB	SCB13	1	R-005503
10	BUSHING SADDLE	2010 – Present	SCW	SCW13	X	R-005020
		2010 – Present	SCB	SCB13	X	R-005502-1/-2
11	CROSS MEMBER	2010 – Present	SCW	SCW13	1	R-002948-30
		2010 – Present	SCB	SCB13	1	R-002948-30
Note: 12...17 N/A						
18	QC BRAKE SHOE KIT	2010 – Present	SCW	SCW13	2	R-007442-B
		2010 – Present	SCB	SCB13	2	R-007442-B
19	COMPLETE BRAKE ASSEMBLY	2010 – Present	SCW	SCW13	X	N/A
		2010 – Present	SCB	SCB13	X	N/A

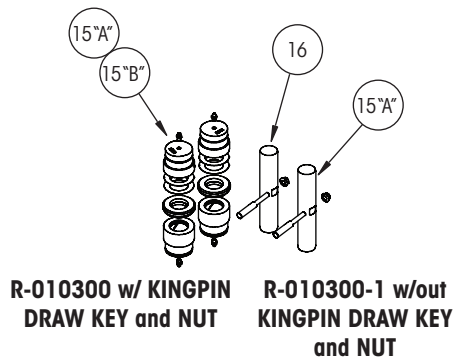
REPLACEMENT PARTS FOR AFTERMARKET SC SUSPENSIONS



IMPORTANT!: Part numbers indicated in this document can have extensions like "-1/-2" or "-1/-2/-3". When inquiring about part numbers or placing orders, please keep in mind that each extension indicates a different part. The extensions -1 and -2 often refer to parts specific to driver's side (left) and passenger's side (right), respectively. The extensions -1, -2, -3 indicate different sizes/widths of the same part. Please contact Hendrickson Technical & Warranty Support if you have questions: lifftaxletech@hendrickson-intl.com



MODEL PREFIX: SC





REPLACEMENT PARTS FOR AFTERMARKET SC SUSPENSIONS

ITEM	DESCRIPTION	SUSPENSION SERIES	MODEL PREFIX	QTY.	PART NO.
1	UPPER KING PIN WASHERS	SC	SCT13	4	R-6212H2H
		SC	SCT20	4	R-6214H2H
2	UPPER KING PIN NUTS	SC	SCT10	12	R-6009CH2LC
		SC	SCT13	4	R-6012CH2LC
		SC	SCT20	4	R-6014CH2LC
3	BACKBONE BOLTS, SHORT	SC	SCT10	6	R-6109C200H4H8
		SC	SCT13	4	R-6112C225H4H8
		SC	SCT20	4	R-6114C300H4H8
4	BACKBONE BOLTS LONG	SC	SCT10	6	R-6109C300H4H8
5	THRUST BEARING INCLUDED WITH KINGPIN KIT	SC	SCT10	2	R-001620
		SC	SCT13	2	R-001620
		SC	SCT20	2	R-001620
6	SHIMS INCLUDED WITH KINGPIN KIT	SC	SCT10	4	R-001764-1
		SC	SCT13	4	R-001764-1
		SC	SCT20	4	R-001764-1
7	TURN STOP JAM NUT	SC	SCT13	2	R-6008CH2JC
		SC	SCT20	2	R-6008CH2JC
8	TURN STOP SCREW	SC	SCT13	2	R-6108C125H4S8
		SC	SCT20	2	R-6108C150H4S8
9	LOCK STRAIGHT KIT (OPTIONAL)	SC	SCT13	1	R-002600-2
		SC	SCT20	1	R-010116
10	LOCK STRAIGHT TARGET (OPTIONAL)	SC	SCT13	2	R-008495
11	KINGPIN CAP OR ZERK FITTING	SC	SCT10	4	R-002804
		SC	SCT13	4	R-002804
		SC	SCT20	4	R-002804
12	TIE ROD ASSEMBLY	SC	SCT10	1	R-014436-10
		SC	SCT13	1	R-014436-13
		SC	SCT20	1	R-014436-20
13	SPINDLE NUT	SC	SCT10	2	R-003269
		SC	SCT13	2	R-003269
		SC	SCT20	2	R-005142
14	STABILIZER KIT	SC	SCT10	1	R-009596
		SC	SCT13	1	R-009596 *
		SC	SCT20	1	R-009580

*ITEM 14: R009580 Ride Height A/B

REPLACEMENT PARTS FOR AFTERMARKET SC SUSPENSIONS



ITEM	DESCRIPTION	SUSPENSION SERIES	MODEL PREFIX	QTY.	PART NO.	
					A	B
15	KINGPIN BUSHING KIT	SC	SCT10	1	R-010300	R-010300-1
	WITH KINGPIN "A"	SC	SCT13	1	R-010300	R-010300-1
	KINGPIN BUSHING KIT WITHOUT KINGPIN "B"	SC	SCT20	1	R-010300	R-010300-1
16	REPLACEMENT KINGPIN	SC	SCT10	2	R-006303	
		SC	SCT13	2	R-006303	
		SC	SCT20	2	R-006303	
17	DRAW KEY	SC	SCT10	2	R-008670	
		SC	SCT13	2	R-008670	
		SC	SCT20	2	R-008670	
18	DRAW KEY NUT	SC	SCT10	2	R-6007FH4FC	
		SC	SCT13	2	R-6007FH4FC	
		SC	SCT20	2	R-6007FH4FC	
19	UPPER KINGPIN CONNECTION	SC	SCT10	1 EA	R-006011-1/-2	
		SC	SCT13	1 EA	R-009692	
		SC	SCT20	1 EA	R-009957	
20	CURRENT KNUCKLE BACKBONE	SC	SCT10	1 EA	R-009897-1/-2	
		SC	SCT13	1 EA	R-010563-1/-2	
		SC	SCT20	1 EA	R-009950-1/-2	
21	S-Cam (Kits & Parts)	SC	SCT 8/10/13/20	1 EA	Contact Hendrickson	

*Actual product performance may vary depending upon vehicle configuration, operation, service and other factors.
All applications must comply with applicable Hendrickson specifications and must be approved by the respective vehicle manufacturer with the vehicle in its original, as-built configuration.
Contact Hendrickson for additional details regarding specifications, applications, capacities, and operation, service and maintenance instructions.*

Call Hendrickson at 800.660.2829 or 800.668.5360 in Canada for additional information.



www.hendrickson-intl.com

**SPECIALTY PRODUCTS -
AUXILIARY AXLE SYSTEMS**

277 North High Street
Hebron, OH 43025 USA
800.660.2829
740.929.5600 • Fax 740.929.5601

Hendrickson Canada

250 Chrysler Drive, Unit #3
Brampton, ON Canada L6S 6B6
800.668.5360
905.789.1030 • Fax 905.789.1033

PL H732 Rev C 01-2020

© 2011 — 2020 Hendrickson USA, L.L.C. All Rights Reserved. All trademarks shown are owned by Hendrickson USA, L.L.C., or one of its affiliates, in one or more countries.
Information contained in this literature was accurate at the time of publication. Product changes may have been made after the copyright date that are not reflected.

Printed in United States of America