

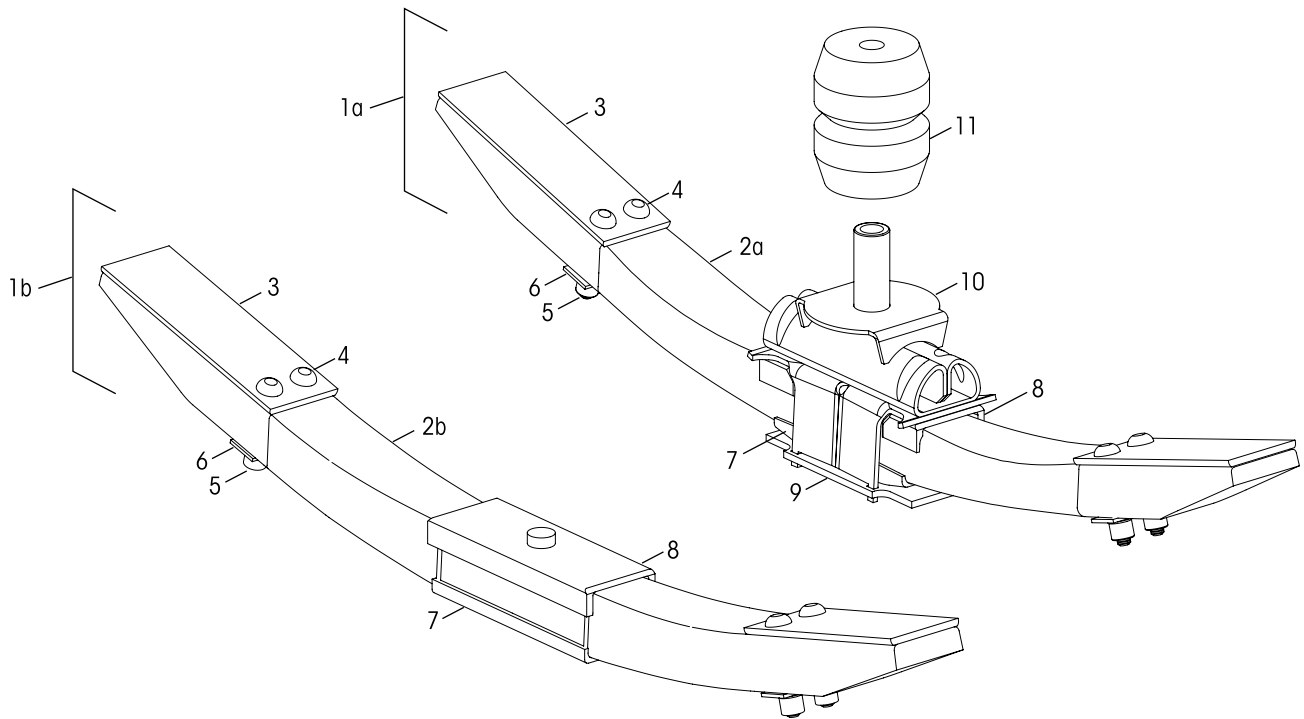
H PARTS LIST

Composite Leaf Springs for Heavy-duty Trailer Vehicles

LIT NO: SP-275

DATE: October 2020

REVISION: A



KEY NO.	PART NO.	DESCRIPTION	VEHICLE QTY.	KEY NO.	PART NO.	DESCRIPTION	VEHICLE QTY.
1		Composite Leaf Spring Assembly	1	3		*Wear Plate	2
a		Includes Key Nos. 2a, 3-11		4		*Pin	4
b		Includes Key Nos. 2b, 3-8		5		*Collar	4
2		Composite Leaf Spring	1	6		*Backing Plate	2
a	10996	1106 mm (43½") Length (U-bolt spread 6.50")		7		*Lower Cushion	1
a	11173	1059 mm (41½") Length (U-bolt spread 5.88")		8		*Upper Cushion	1
a	11174	1089 mm (42¾") Length		9		*Lower Anchor Plate	1
a	11175	1106 mm (43½") Length (U-bolt spread 5.88")		10		*Upper Anchor Plate	1
a	11220	1059 mm (41½") Length (U-bolt spread 6.50")		11	11153	Jounce Bumper	1
b	21607-01	1092 mm (43") Length					
b	22171741	1060 mm (41¾") Length					

NOTES: * Item included in assembly only, part not sold separately.

This is a general parts list to provide directional information. Components may vary by model. Questions in regards to parts, contact Hendrickson Truck Parts at 1.866.755.5968 (Toll-free U.S. and Canada), 630.910.2800 (Outside U.S. and Canada) or email: truckparts@hendrickson-intl.com.

*Call Hendrickson at **1.866.755.5968** (toll-free) or **1.630.910.2800** for additional information.*



www.hendrickson-intl.com

SP-275 Rev A 10-20

TRUCK COMMERCIAL VEHICLE SYSTEMS
800 South Frontage Road
Woodridge, IL 60517-4904 USA
1.866.755.5968 (Toll-free U.S. and Canada)
1.630.910.2800 (Outside U.S. and Canada)
Fax 1.630.910.2899

© 2020 Hendrickson USA, L.L.C. All Rights Reserved. All trademarks shown are owned by Hendrickson USA, L.L.C., or one of the affiliates, in one or more countries.
Information contained in this literature was accurate at the time of publication. Product changes may have been made after the copyright date that are not reflected.

Printed in United States of America