

H PARTS LIST

HT230 TOP-MOUNT

LIT NO: L38

DATE: March 2021

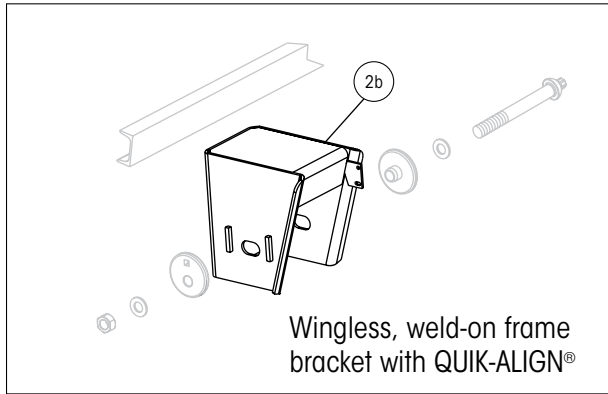
REVISION: G



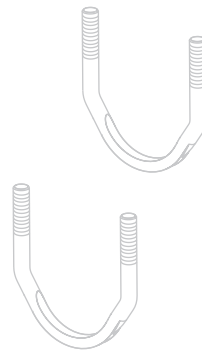
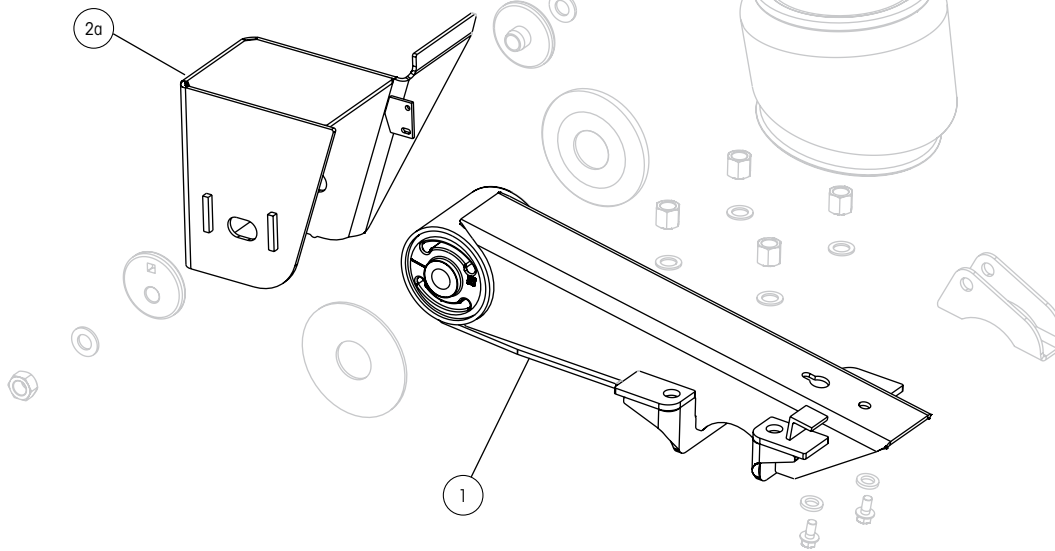
HT230 TOP-MOUNT PARTS LIST



Picture shown may not resemble all models.



Winged, weld-on frame bracket with QUIK-ALIGN





HT230 TOP-MOUNT PARTS LIST

| ITEM | DESCRIPTION | PART NO. | QTY. PER SUSP. | FITS MODELS HT230 ? or N-HT230 ? | | |
|----------|---|-----------|-------------------|-------------------------------------|----------|----------|
| 1 | BEAM ASSEMBLY¹ | | | | | |
| | Roadside | S-20000-1 | 1 | Fits all models unless shown below | | |
| | Curbside | S-20000-2 | 1 | | | |
| | Roadside | S-21736-1 | 1 | TA14-601 | TB14-601 | |
| | Curbside | S-21736-2 | 1 | | | |
| | Roadside | S-27614-1 | 1 | TA15-522 | TA17-522 | |
| | Curbside | S-27614-2 | 1 | | | |
| 2 | FRAME BRACKET | | | | | |
| | 2a Winged, Weld-on, QUIK-ALIGN® | | | | | |
| | Roadside | S-21165-1 | 1 | TA15-525 | TA16-001 | TA16-004 |
| | Curbside | S-21165-2 | 1 | TA16-007 | TA17-001 | TA17-003 |
| | | | | TA17-007 | TA17-013 | TA17-026 |
| | | | | TA17-517 | TA17-522 | |
| | Roadside | S-21179-1 | 1 | TA14-001 | TA14-004 | TA14-007 |
| | Curbside | S-21179-2 | 1 | TA14-020 | TA14-021 | TA14-520 |
| | | | | TA14-601 | TA14-701 | TA15-001 |
| | | | | TA15-003 | TA15-007 | TA15-009 |
| | | | | TA15-012 | TA15-016 | TA15-018 |
| | | | | TA15-026 | TA15-517 | TA15-522 |
| | | | | TA15-523 | TA15-524 | TA15-601 |
| | | | | TA15-701 | | |
| | Roadside | S-21179-3 | 1 | TA15-016 | | |
| | Curbside | S-21179-4 | 1 | | | |
| | Roadside | S-21193-1 | 1 | TA19-001 | | |
| | Curbside | S-21193-2 | 1 | | | |
| | Roadside | S-21249-1 | 1 | TA14-008 | TA15-008 | TA15-025 |
| | Curbside | S-21249-2 | 1 | | | |
| | Roadside | S-21250-1 | 1 | TA17-008 | | |
| | Curbside | S-21250-2 | 1 | | | |
| | 2b Wingless, Weld-on, QUIK-ALIGN | | | | | |
| | Roadside | S-21590-1 | 1 | TB14-001 | TB14-021 | TB14-022 |
| | Curbside | S-21590-2 | 1 | TB14-024 | TB14-701 | TB15-001 |
| | | | | TB15-003 | TB15-009 | TB15-020 |
| | | | | TB15-026 | TB15-027 | TB15-028 |
| | Roadside | S-21592-1 | 1 | TB14-033 | TB16-001 | TB16-004 |
| | Curbside | S-21592-2 | 1 | TB16-024 | TB16-026 | TB17-001 |
| | | | | TB17-003 | TB17-009 | TB17-024 |
| | | | | TB17-026 | | |
| | Roadside | S-22420-1 | 1 | TB15-025 | | |
| | Curbside | S-22420-2 | 1 | | | |
| | Roadside | S-23461-1 | 1 | TB19-001 | | |
| | Curbside | S-23461-2 | 1 | | | |
| | 2c Winged, Bolt-on, QUIK-ALIGN (Not Shown) | | | | | |
| | Roadside | S-21204-1 | 1 | TA14-002 | TA15-002 | TA15-004 |
| | Curbside | S-21204-2 | 1 | TA15-011 | | |
| | Roadside | S-21205-1 | 1 | TA16-002 | TA17-002 | |
| | Curbside | S-21205-2 | 1 | | | |
| | Roadside | S-21332-1 | 1 | -18-052 | | |
| | Curbside | S-21332-2 | 1 | | | |
| | Roadside | S-25812-1 | 1 | TA14-070 | TA15-071 | TB14-070 |
| | Curbside | S-25812-2 | 1 | | | |
| | Roadside | S-24912-1 | 1 | TA15-036 | | |
| | Curbside | S-24912-2 | 1 | | | |

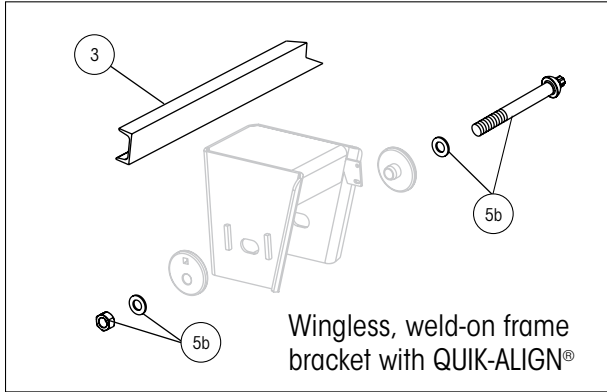
1. Lower shock clevis (item #13) is included with beam assembly.

NOTE: Identification tag can be found on the front of the roadside frame bracket or the inside of the curbside beam.

HT230 TOP-MOUNT PARTS LIST

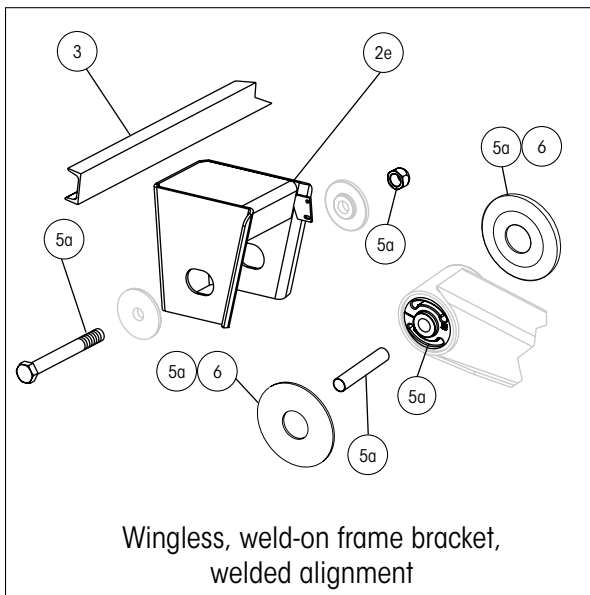
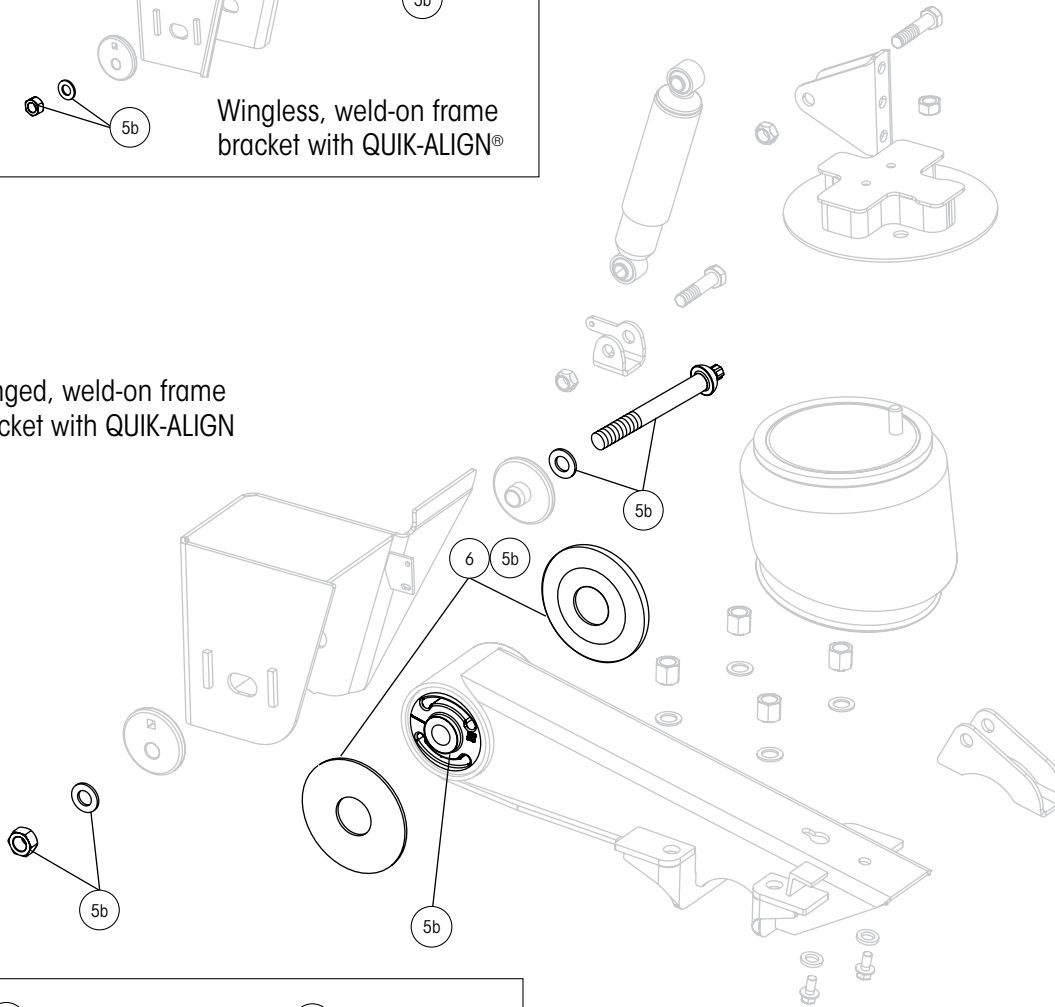


Picture shown may not resemble all models.



Wingless, weld-on frame bracket with QUIK-ALIGN®

Winged, weld-on frame bracket with QUIK-ALIGN



Wingless, weld-on frame bracket, welded alignment



HT230 TOP-MOUNT PARTS LIST

| ITEM | DESCRIPTION | PART NO. | QTY. PER SUSP. | FITS MODELS HT230 ? or N-HT230 ? | | |
|-----------|--|-----------|-------------------|---|----------|----------|
| 2d | Wingless, Bolt-on, QUIK-ALIGN® (Not Shown) | | | | | |
| | Roadside | S-22137-1 | 1 | TB14-002 | TB15-002 | |
| | Curbside | S-22137-2 | 1 | | | |
| | Roadside | S-22138-1 | 1 | TB16-002 | TB17-002 | TB18-002 |
| | Curbside | S-22138-2 | 1 | | | |
| | Roadside | S-25494-1 | 1 | TB14-071 | TB15-071 | |
| | Curbside | S-25494-2 | 1 | | | |
| 2e | Wingless, Weld-on, Welded Alignment | | | | | |
| | Roadside | S-20047-1 | 1 | -14-008 | -15-008 | -15-025 |
| | Curbside | S-20047-2 | 1 | | | |
| | Roadside | C-20048-1 | 1 | -16-008 | -17-008 | |
| | Curbside | C-20048-2 | 1 | | | |
| | Roadside | S-20064-1 | 1 | -14-001 | -14-004 | -14-005 |
| | Curbside | S-20064-2 | 1 | -14-007 | -14-017 | -14-020 |
| | | | | -14-021 | -14-024 | -15-001 |
| | | | | -15-003 | -15-005 | -15-006 |
| | | | | -15-007 | -15-009 | -15-012 |
| | | | | -15-017 | -15-020 | -15-026 |
| | | | | -15-027 | -15-028 | -15-517 |
| | Roadside | S-20065-1 | 1 | -16-001 | -16-004 | -16-005 |
| | Curbside | S-20065-2 | 1 | -16-006 | -16-007 | -16-009 |
| | | | | -16-024 | -16-026 | -17-001 |
| | | | | -17-003 | -17-005 | -17-006 |
| | | | | -17-007 | -17-009 | -17-012 |
| | | | | -17-017 | -17-022 | -17-023 |
| | | | | -17-024 | -17-026 | -17-517 |
| | Roadside | S-14190-1 | 1 | -19-001 | -19-027 | |
| | Curbside | S-14190-2 | 1 | | | |
| 2f | Wingless, Bolt-on, Welded Alignment (Not Shown) | | | | | |
| | Roadside | S-20007-1 | 1 | -14-002 | -14-011 | -15-002 |
| | Curbside | S-20007-2 | 1 | -15-004 | -15-011 | -15-032 |
| | | | | -16-021 | | |
| | Roadside | S-20008-1 | 1 | -16-002 | -16-010 | -17-002 |
| | Curbside | S-20008-2 | 1 | -17-004 | -17-011 | -17-032 |
| | Roadside | S-20190-1 | 1 | -19-004 | | |
| | Curbside | S-20190-2 | 1 | | | |
| | Roadside | S-20396-1 | 1 | -19-002 | | |
| | Curbside | S-20396-2 | 1 | | | |
| 3 | FRAME BRACKET C-CHANNEL | A-1631-19 | 1 | Used on all wingless frame brackets and with 19" winged frame brackets | | |
| 4 | FRAME BRACKET GUSSET (Not Shown) | S-27330 | 2 | Used on most winged frame brackets excluding 19" ride height | | |
| 5 | TRI-FUNCTIONAL® II BUSHING KIT² | | | | | |
| 5a | Welded Alignment | S-6914 | 2 | Includes bushing, bushing tube spacers, cap screw, prevailing torque hex nut, liner and lube | | |
| 5b | QUIK-ALIGN | S-24691 | 2 | Includes bushing, bushing tube spacers, round head bolt, prevailing torque hex nut, hardened washers and lube | | |
| 6 | BUSHING TUBE SPACER | S-21099 | 4 | All models | | |

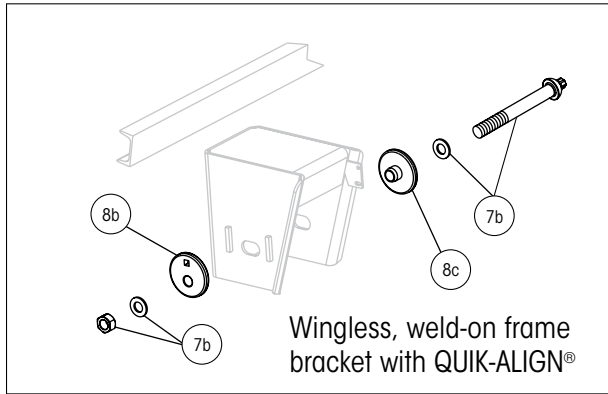
2. Bushing tool S-21307 is required to correctly re-bush the suspension.

NOTE: Identification tag can be found on the front of the roadside frame bracket or the inside of the curbside beam.

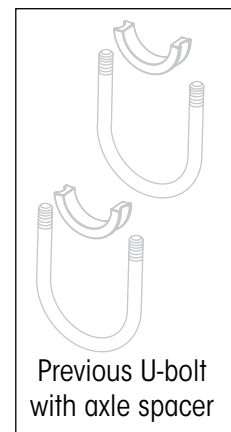
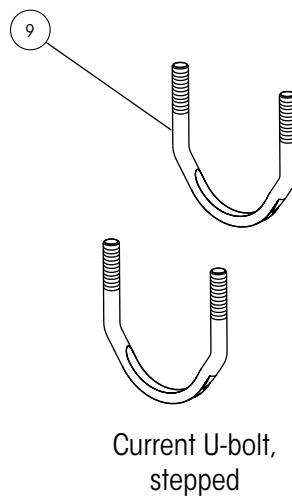
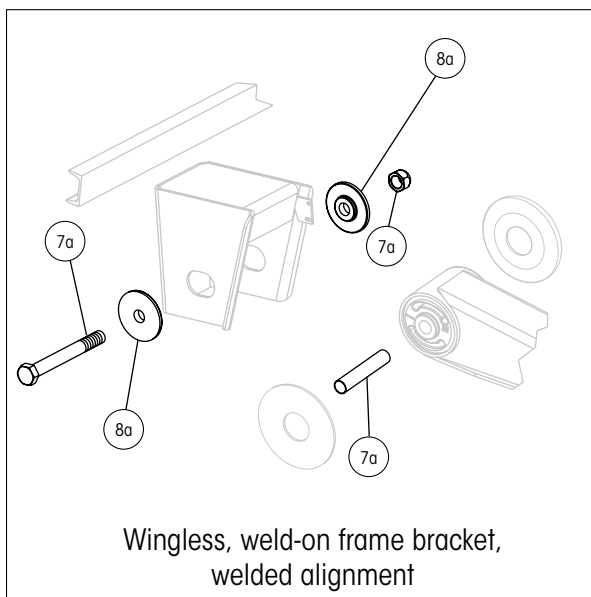
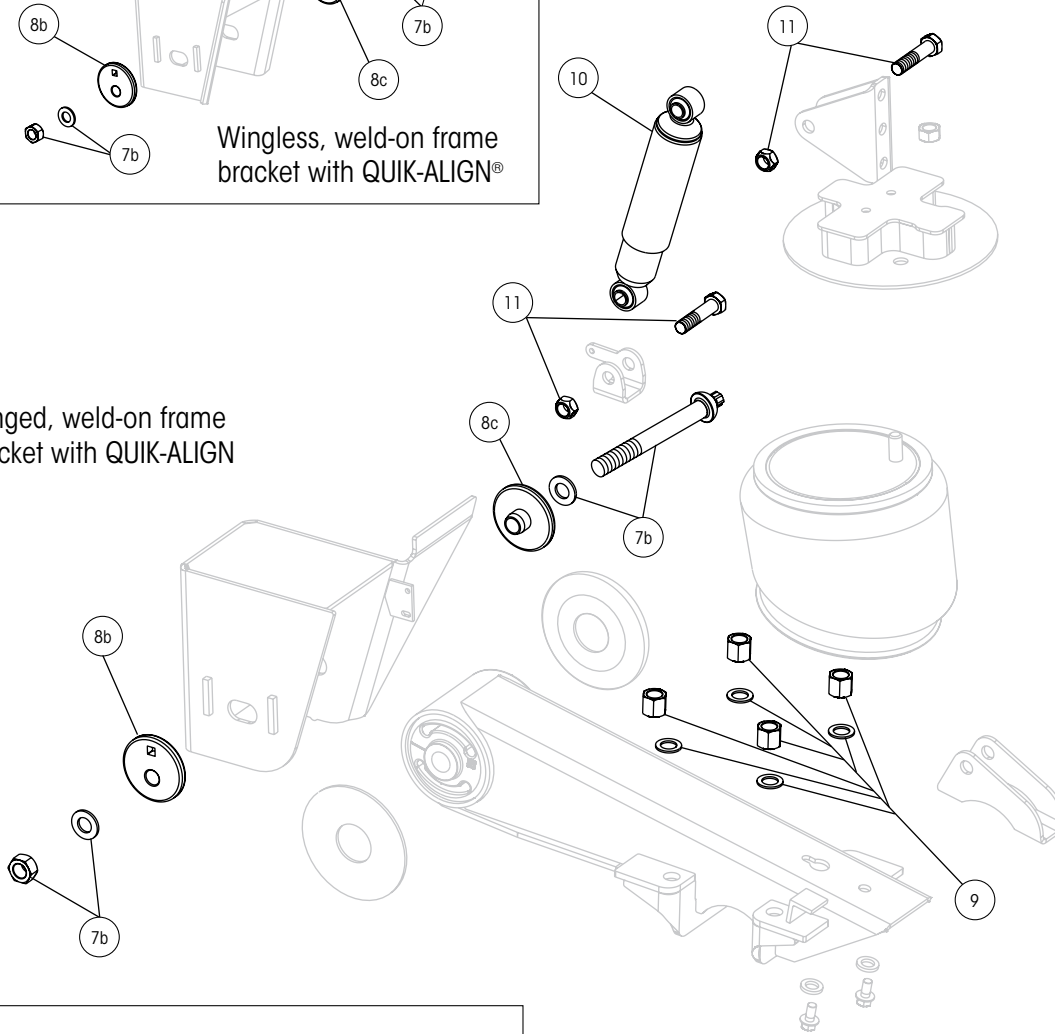
HT230 TOP-MOUNT PARTS LIST



Picture shown may not resemble all models.



Winged, weld-on frame bracket with QUIK-ALIGN

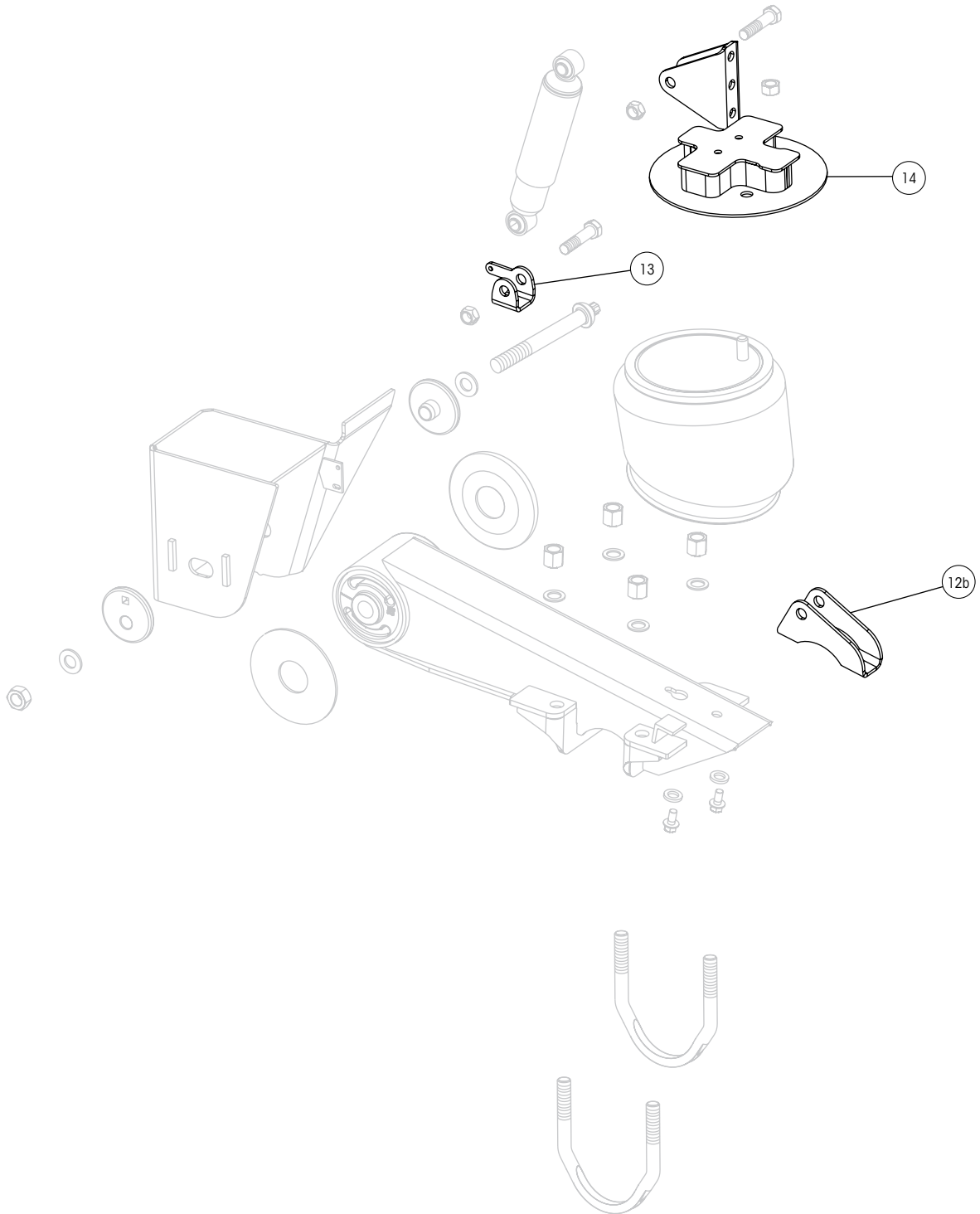




HT230 TOP-MOUNT PARTS LIST

| ITEM | DESCRIPTION | PART NO. | QTY. PER SUSP. | FITS MODELS HT230 ? or N-HT230 ? | | |
|-----------|--------------------------------------|-------------|-------------------|--|----------|----------|
| 7 | PIVOT BOLT KIT | | | | | |
| | 7a Welded Alignment | S-3646 | 2 | Includes cap screw, prevailing torque hex nut and liner | | |
| | 7b QUIK-ALIGN® | S-24679 | 2 | Includes round head bolt, hardened washers and prevailing torque hex nut | | |
| 8 | ALIGNMENT COLLARS | | | | | |
| | 8a Welded Alignment | S-2770 | 4 | Collars are welded to frame bracket | | |
| | 8b Eccentric, QUIK-ALIGN (outer) | S-20925 | 2 | Alignment hole is off center | | |
| | 8c Concentric, QUIK-ALIGN (inner) | S-20924 | 2 | Alignment hole is centered | | |
| 9 | U-BOLT KIT | S-21140 / 4 | 4 | Includes (1) stepped U-bolt and hardware. Axle spacer is not needed with stepped U-bolt. | | |
| 10 | SHOCK ABSORBER | S-20002 | 2 | All models except below | | |
| | | S-2160 | 2 | -14-007 | -14-011 | -14-032 |
| | | | | -15-007 | -15-011 | -15-012 |
| | | | | -15-028 | -15-032 | -16-007 |
| | | | | -17-007 | -17-011 | -17-012 |
| | | | | -17-032 | TA14-007 | TA15-007 |
| | | | | TA15-011 | TA15-012 | TA16-007 |
| | | | | TA17-007 | TB14-033 | TB15-028 |
| | | S-20126 | 2 | -14-017 | -15-017 | -15-517 |
| | | | | -17-017 | -17-517 | TA14-520 |
| | | | | TA15-517 | TA17-517 | |
| | | S-2212 | 2 | -14-020 | -14-021 | TA14-021 |
| | | | | TB14-021 | | |
| | | B-23361 | 2 | TA14-020 | | |
| | | S-21699 | 2 | TA15-522 | TA15-524 | TA15-525 |
| | | | | TA17-522 | | |
| | | S-2218 | 2 | -16-021 | | |
| 11 | SHOCK BOLT KIT | | | | | |
| | Standard HT Application | S-20031 / 2 | 2 | Fits all models unless shown below | | |
| | Customer Supplied Slider Application | S-20218 / 2 | 2 | -14-003 | -14-004 | -15-009 |
| | | | | -15-010 | -15-013 | -15-020 |
| | | | | -16-003 | -16-004 | -17-009 |
| | | | | -17-010 | -17-022 | TA15-009 |
| | | | | TB14-003 | TB14-601 | TB15-009 |
| | | | | TB15-010 | TB15-020 | TB16-003 |
| | | | | TB16-004 | TB17-009 | TB17-010 |
| | Customer Located Remote Shock | S-2157 / 2 | 2 | -14-007 | -14-011 | -14-020 |
| | | | | -14-021 | -14-032 | -15-007 |
| | | | | -15-011 | -15-012 | -15-028 |
| | | | | -15-032 | -16-007 | -16-021 |
| | | | | -17-007 | -17-011 | -17-012 |
| | | | | -17-032 | TA14-007 | TA14-021 |
| | | | | TA15-007 | TA15-011 | TA15-012 |
| | | | | TA16-007 | TA17-007 | TB14-021 |
| | | | | TB14-033 | TB15-028 | |
| | | S-27615/2 | 1 | TA15-522 | TA15-524 | TA15-525 |
| | | | | TA16-522 | TA17-522 | |

NOTE: Identification tag can be found on the front of the roadside frame bracket or the inside of the curbside beam.





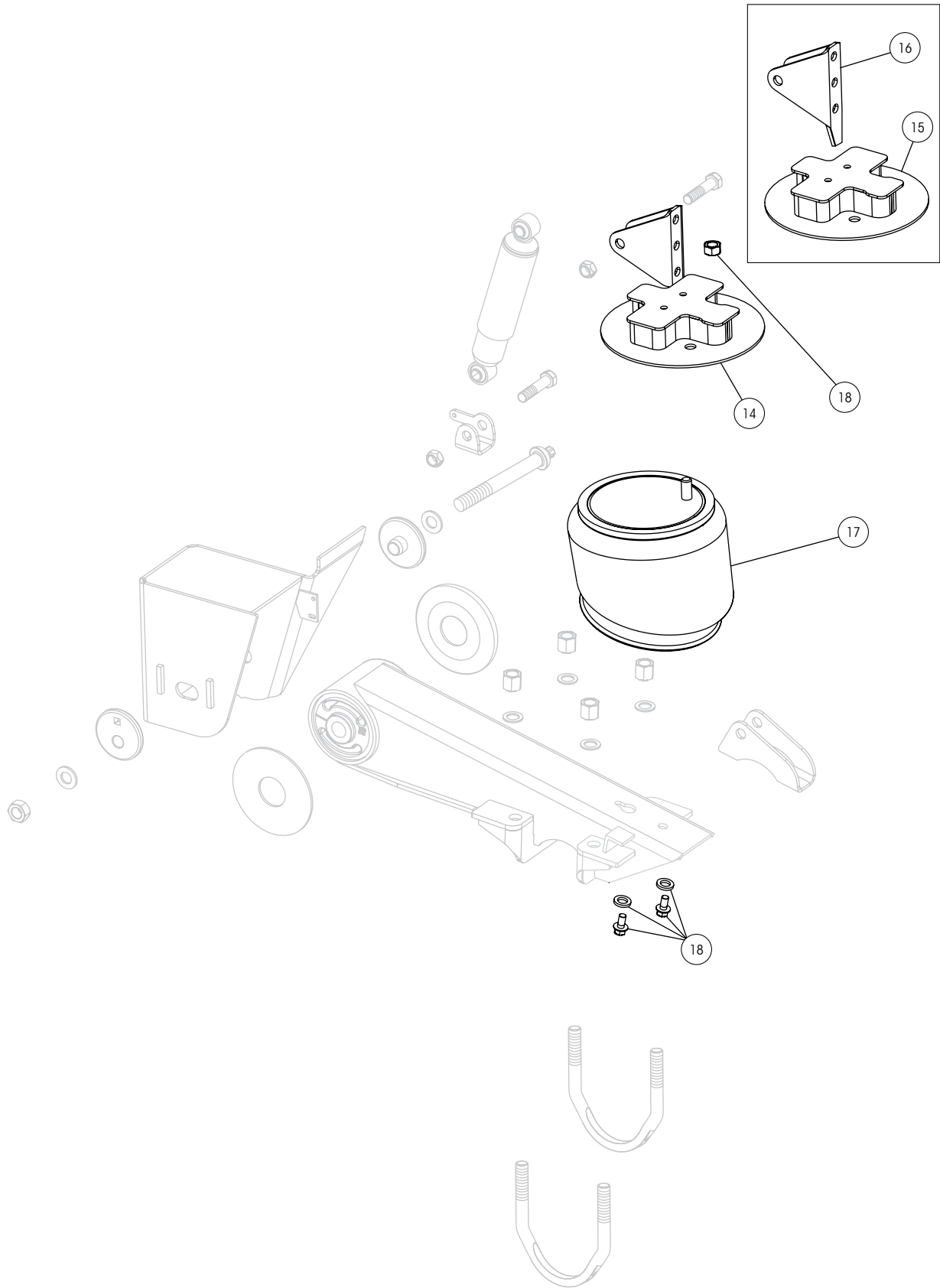
HT230 TOP-MOUNT PARTS LIST

| ITEM | DESCRIPTION | PART NO. | QTY. PER SUSP. | FITS MODELS HT230 ? or N-HT230 ? | | |
|-----------|---|-----------|-------------------|---|---|--|
| 12 | REMOTE SHOCK MOUNT | | | | | |
| | 12a Upper Assembly (Not Shown) | S-2592 | 2 | -14-007 -15-028 -17-012 TA15-012 TB14-033 | -15-007 -16-007 TA14-007 TA16-007 TB15-028 | -15-012 -17-007 TA15-007 TA17-007 |
| | | S-38151 | 2 | -14-011 -15-032 TA15-011 | -14-032 -17-011 | -15-011 -17-032 |
| | | S-20023 | 2 | -15-025 TB15-025 | TA15-025 | TB14-022 |
| | | B-20610 | 2 | -16-021 | | |
| | 12b Lower Assembly | S-2723 | 2 | -14-007 -15-007 -15-028 -16-021 -17-012 TA15-007 TA16-007 TB15-028 | -14-011 -15-011 -15-032 -17-007 -17-032 TA15-011 TA17-007 | -14-032 -15-012 -16-007 -17-011 TA14-007 TA15-012 TB14-033 |
| 13 | LOWER SHOCK CLEVIS³ | S-20069 | 2 | All models | | |
| 14 | AIR SPRING SHOCK MOUNT⁴ | | | Includes air spring plate, spacer assembly and upper shock bracket | | |
| | Roadside | C-20011-1 | 1 | -14-001 | -14-005 | -14-017 |
| | Curbside | C-20011-2 | 1 | -14-024 -15-027 TA14-520 TA15-016 TB14-071 TB15-027 | -15-003 -19-027 TA14-601 TB14-001 TB14-701 TB15-071 | -15-006 TA14-020 TA15-003 TB14-024 TB15-003 |
| | Roadside | C-20012-1 | 1 | -15-001 | -15-005 | -15-017 |
| | Curbside | C-20012-2 | 1 | -15-517 TA15-001 TA15-701 | -16-006 TA15-517 TB15-001 | -16-009 TA15-522 |
| | Roadside | C-20013-1 | 1 | -16-001 | -16-005 | -16-024 |
| | Curbside | C-20013-2 | 1 | -17-003 TA17-003 TB17-003 | -17-005 TB16-001 | TA16-001 TB16-024 |
| | Roadside | C-20014-1 | 1 | -17-001 | -17-006 | -17-017 |
| | Curbside | C-20014-2 | 1 | -17-023 TA17-001 TA17-522 | -17-024 TA17-013 TB17-001 | -17-517 TA17-517 TB17-024 |
| | Roadside | C-20015-1 | 1 | -14-002 | -14-008 | -15-004 |
| | Curbside | C-20015-2 | 1 | TA14-002 TA15-004 | TA14-008 TA15-071 | TA14-070 TB14-002 |
| | Roadside and Curbside | C-20016-1 | 2 | -15-007 TA15-009 | -15-009 TB15-009 | TA15-007 |
| | Roadside and Curbside | C-20016-2 | 2 | -16-004 -17-022 TB16-004 | -16-007 TA16-004 | -17-012 TA16-007 |
| | Roadside and Curbside | C-20016-3 | 2 | -17-007 TB17-009 | -17-009 | TA17-007 |

3. Lower shock clevis is included with beam assembly (item #1).

4. Component may vary for slider suspensions based on slider box manufacturer. Contact Hendrickson for assistance.

NOTE: Identification tag can be found on the front of the roadside frame bracket or the inside of the curbside beam.





HT230 TOP-MOUNT PARTS LIST

| ITEM | DESCRIPTION | PART NO. | QTY PER SUSP. | FITS MODELS HT230 ? or N-HT230 ? | | |
|------|---|-----------|------------------|---|----------|----------|
| 14 | AIR SPRING SHOCK MOUNT⁴ (continued from page 9) | | | Includes air spring plate, spacer assembly and upper shock bracket | | |
| | Roadside | C-20040-1 | 1 | -15-002 | -15-008 | -16-010 |
| | Curbside | C-20040-2 | 1 | -19-002 | TA15-002 | TA15-008 |
| | | | | TA15-026 | TA15-036 | TB15-002 |
| | | | | TB15-026 | | |
| | Roadside | C-20041-1 | 1 | -16-002 | -16-008 | -16-026 |
| | Curbside | C-20041-2 | 1 | -17-004 | TA16-002 | TB16-002 |
| | | | | TB16-026 | | |
| | Roadside | C-20042-1 | 1 | -17-002 | -17-008 | -17-026 |
| | Curbside | C-20042-2 | 1 | -19-004 | TA17-002 | TA17-008 |
| | | | | TA17-026 | TB17-002 | TB17-026 |
| | | | | TB18-002 | | |
| | Roadside | C-20401-1 | 1 | -19-001 | TA19-001 | TB19-001 |
| | Curbside | C-20401-2 | 1 | | | |
| | Roadside | C-21195-1 | 1 | -18-051 | | |
| | Curbside | C-21195-2 | 1 | | | |
| | Roadside | C-21405-1 | 1 | -18-052 | | |
| | Curbside | C-21405-2 | 1 | | | |
| | Roadside and Curbside | C-20043-1 | 2 | -15-032 | | |
| 15 | AIR SPRING SPACER ASSEMBLY⁴ | C-20016-1 | 2 | -15-007 | -15-009 | TA15-007 |
| | | | | TA15-009 | TB15-009 | |
| | | B-20037 | 2 | 14-007 | 14-020 | 14-021 |
| | | | | 15-012 | 15-028 | -16-021 |
| | | | | TA14-007 | TA14-021 | TA15-012 |
| | | | | TB14-033 | TB15-028 | |
| 16 | UPPER SHOCK BRACKET | S-20023 | 2 | -15-025 | TA15-025 | TB14-022 |
| | | | | TB15-025 | | |
| 17 | AIR SPRING | S-20010 | 2 | All models except below | | |
| | | S-21208 | 2 | TA14-520 | TA15-522 | TA15-523 |
| | | | | TA15-524 | TA17-522 | |
| | | S-26773 | 2 | TA15-525 | | |
| 18 | AIR SPRING MOUNTING KIT | S-20033/2 | 2 | All models except below | | |
| | | A-21251 | | TA14-520 | TA15-522 | TA15-523 |
| | | | | TA17-522 | | |
| | | S-22907 | 1 | TA15-525 | | |
| 19 | AIR SPRING MOUNTING PLATE (Not Shown) | S-20905 | 2 | TA15-525 | | |
| | | S-21258 | 2 | TB14-022 | | |
| 20 | HEIGHT CONTROL VALVE (Not Shown) | VS-227 | 1 ⁵ | Fits all models. Includes height control valve, exhaust line and spacer bracket | | |
| 21 | LINKAGE ASSEMBLY (Not Shown) | S-14187 | 1 ⁵ | Includes linkage valve assembly and hardware | | |
| 22 | AUTO DUMP VALVE (Not Shown) | VS-23460 | 1 ⁵ | Includes dump and fittings | | |
| 23 | PRESSURE PROTECTION VALVE (Not Shown) | VS-1128 | 1 ⁵ | Includes valve only | | |

4. Component may vary for slider suspensions based on slider box manufacturer. Contact Hendrickson for assistance.

5. Quantities for air control components per trailer.

NOTE: Identification tag can be found on the front of the roadside frame bracket or the inside of the curbside beam.

*Actual product performance may vary depending upon vehicle configuration, operation, service and other factors.
All applications must comply with applicable Hendrickson specifications and must be approved by the respective vehicle manufacturer with the vehicle in its original, as-built configuration.
Contact Hendrickson for additional details regarding specifications, applications, capacities, and operation, service and maintenance instructions.*

Call Hendrickson at 330.489.0045 or 866.RIDEAIR (743.3247) for additional information.



www.hendrickson-intl.com

TRAILER COMMERCIAL VEHICLE SYSTEMS

2070 Industrial Place SE
Canton, OH 44707-2641 USA
866.RIDEAIR (743.3247)
330.489.0045 • Fax 800.696.4416

Hendrickson Canada

250 Chrysler Drive, Unit #3
Brampton, ON Canada L6S 6B6
800.668.5360
905.789.1030 • Fax 905.789.1033

Hendrickson Mexicana

Circuito El Marqués Sur #29
Parque Industrial El Marqués
Pob. El Colorado, Municipio El Marqués,
Querétaro, México C.P. 76246
+52 (442) 296.3600 • Fax +52 (442) 296.3601

L38 Rev G 03-21

© 1999 – 2021 Hendrickson USA, L.L.C. All Rights Reserved. All trademarks shown are owned by Hendrickson USA, L.L.C., or one of its affiliates, in one or more countries.
Information contained in this literature was accurate at the time of publication. Product changes may have been made after the copyright date that are not reflected.

Printed in United States of America