

H PARTS LIST

HT250U UNDERSLUNG

LIT NO: L938

DATE: June 2019

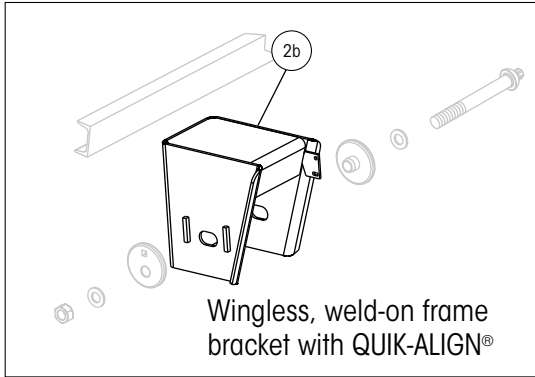
REVISION: F



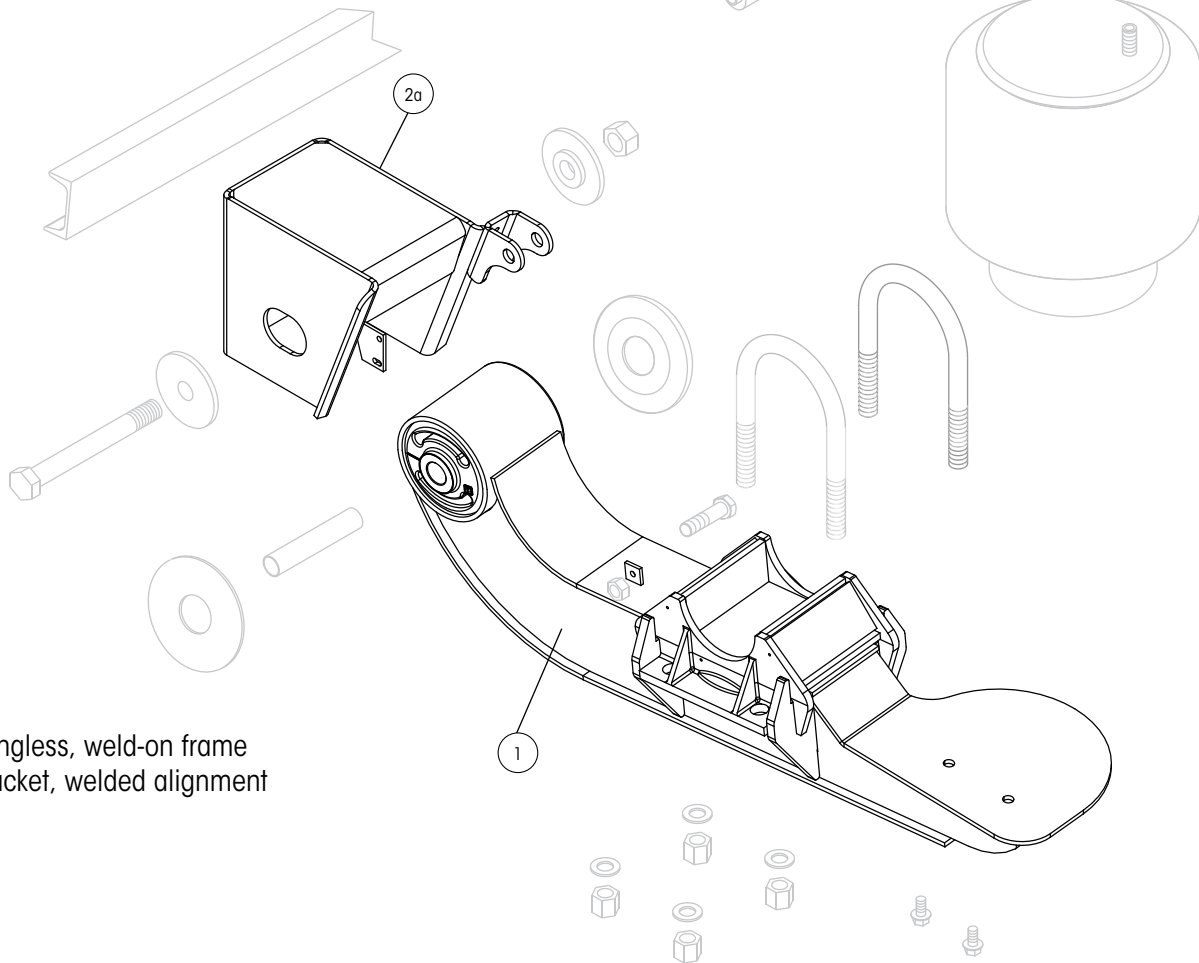
HT250U UNDERSLUNG PARTS LIST



Picture shown may not resemble all models.



Wingless, weld-on frame bracket with QUIK-ALIGN®



Wingless, weld-on frame bracket, welded alignment



HT250U UNDERSLUNG PARTS LIST

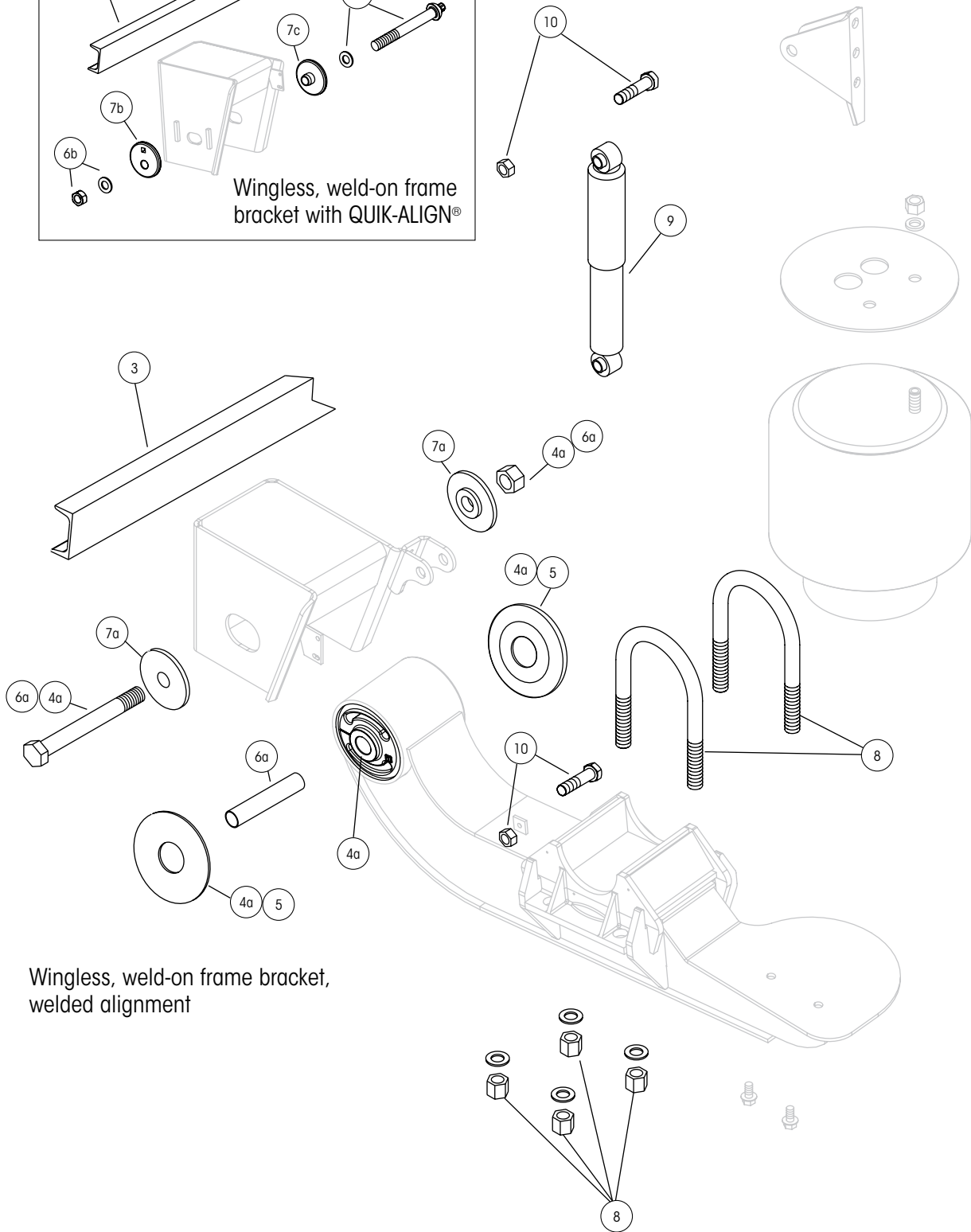
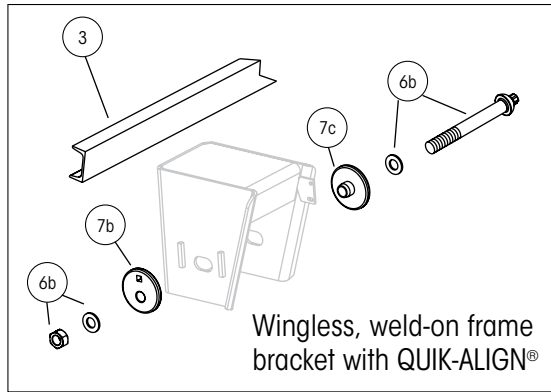
ITEM	DESCRIPTION	PART NO.	QTY. PER SUSP.	FITS MODELS HT250 ? or N-HT250 ?		
1	BEAM ASSEMBLY					
	Roadside	S-20335-1	1	All models except below		
	Curbside	S-20335-2	1			
	Roadside	S-20338-3	1	U-9-020	U-9-021	U-9-023
	Curbside	S-20338-4	1	U-15-022	UB9-022	UB15-022
	Roadside	S-20338-1	1	U-7.5-021		
	Curbside	S-20338-2	1			
2	FRAME BRACKET					
	2a Wingless, Weld-on, Welded Alignment					
	Roadside	S-20321-1	1	U-6.5-001	U-6.5-008	U-6.5-011
	Curbside	S-20321-2	1	U-6.5-020	U-6.5-021	U-6.5-027
					U-6.5-517	U-7.5-005
	Roadside	S-20322-1	1	U-7.5-001	U-7.5-002	U-7.5-003
	Curbside	S-20322-2	1	U-7.5-008	U-7.5-017	U-7.5-027
				U-7.5-517	U-9-001	U-9-002
				U-9-003	U-9-004	U-9-006
				U-9-008	U-9-010	U-9-022
				U-9-024	U-9-025	U-9-027
				U-9-028	U-9-029	U-9-517
	Roadside	S-20324-1	1	U-12-002	U-14-001	U-14-026
	Curbside	S-20324-2	1	U-14-008	U-14-517	
				U-14-028	U-14-006	
	Roadside	S-20323-1	1	U-12-001	U-12-006	U-12-008
	Curbside	S-20323-2	1	U-12-026	U-12-517	
	Roadside	S-20717-1	1	U-6.5-002	U-6.5-003	U-6.5-022
	Curbside	S-20717-2	1			
	Roadside	S-23860-3	1	U-9-020	U-9-021	U-9-023
	Curbside	S-23860-4	1	U-15-022		
	Roadside	S-22663-1	1	U-6.5-024		
	Curbside	S-22663-2	1			
	Roadside	S-20357-1	1	U-7.5-021		
	Curbside	S-20357-2	1			
	Roadside	S-15019-1	1	U-6.5-030	U-6.5-031	
	Curbside	S-15019-2	1			
	2b Wingless, Weld-on, QUIK-ALIGN®					
	Roadside	S-22634-1	1	UB14-001	UB14-006	UB14-023
	Curbside	S-22634-2	1	UB14-027	UB14-028	
	Roadside	S-21688-1	1	UB12-001	UB12-006	UB12-027
	Curbside	S-21688-2	1	UB12-028		
	Roadside	S-23859-1	1	UB9-022	UB15-022	
	Curbside	S-23859-2	1			
	Roadside	S-21926-1	1	UB7.5-001	UB7.5-517	UB7.5-522
	Curbside	S-21926-2	1	UB9-001	UB9-002	UB9-003
				UB9-004	UB9-010	UB9-013
				UB9-522		
	Roadside	S-21927-1	1	UB6.5-001	UB6.5-517	UB7.5-005
	Curbside	S-21927-2	1			
	Roadside	S-22581-1	1	UB6.5-002		
	Curbside	S-22581-2	1			
	Roadside	S-23859-1	1	UB15-022		
	Curbside	S-23859-2	1			

NOTE: Identification tag can be found on the front of the roadside frame bracket or the inside of the curbside beam.

HT250U UNDERSLUNG PARTS LIST



Picture shown may not resemble all models.





HT250U UNDERSLUNG PARTS LIST

ITEM	DESCRIPTION	PART NO.	QTY. PER SUSP.	FITS MODELS HT250 ? or N-HT250 ?			
2c	Winged, Bolt-on, Welded Alignment (Not Shown)						
	Roadside	S-20337-1	1	U-12-007			
	Curbside	S-20337-2	1				
	Roadside	S-21230-1	1	U-14-007			
	Curbside	S-21230-2	1				
	Roadside	S-20326-1	1	U-6.5-007			
	Curbside	S-20326-2	1				
	Roadside	S-20327-1	1	U-7.5-007	U-9-007		
	Curbside	S-20327-2	1				
	3	FRAME BRACKET C-CHANNEL	A-1631-19	1	All models		
	4	TRI-FUNCTIONAL® II BUSHING KIT¹					
	4a	Welded Alignment	S-6914	2	Includes bushing, bushing tube spacers, cap screw, prevailing torque hex nut, liner and lube		
QUIK-ALIGN (Not Shown)		S-24691	2	Includes bushing, bushing tube spacers, round head bolt, prevailing torque hex nut, hardened washers and lube			
5	BUSHING TUBE SPACER	S-21099	4	All models			
6	PIVOT BOLT KIT						
6a	Welded Alignment	S-3646	2	Includes cap screw, prevailing torque hex nut and liner			
	QUIK-ALIGN	S-24679	2	Includes round head bolt, hardened washers and prevailing torque hex nut			
7	ALIGNMENT COLLARS						
7a	Welded Alignment	S-2770	4	Collars are welded to frame bracket			
	Eccentric QUIK-ALIGN (outer)	S-20925	2	Alignment hole is off center			
	Concentric QUIK-ALIGN (inner)	S-20924	2	Alignment hole is centered			
8	U-BOLT KIT	S-3650/4	4	All models			
9	SHOCK ABSORBER	S-20002	2	Fits all models unless shown below			
		S-21553	2	U-6.5-027	U-9-027	U-9-028	
				U-14-028	UB6.5-522	U-7.5-027	
				UB7.5-522	UB9-522	UB12-027	
				UB12-028	UB14-027	UB14-028	
		S-1667	2	U-7.5-021	U-7.5-022	U-7.5-521	
		S-2212	2	U-9-020	U-9-021	U-9-023	
				U-9.2-026	U-15-022	UB9-022	
				UB15-022			
		S-20126	2	U-6.5-517	U-7.5-017	U-7.5-517	
				U-9-517	U-12-517	U-14-517	
				UB6.5-517	UB7.5-517		
		S-2160	2	U-6.5-030	U-6.5-031		
10	SHOCK BOLT KIT	S-2157/2	2	All models			

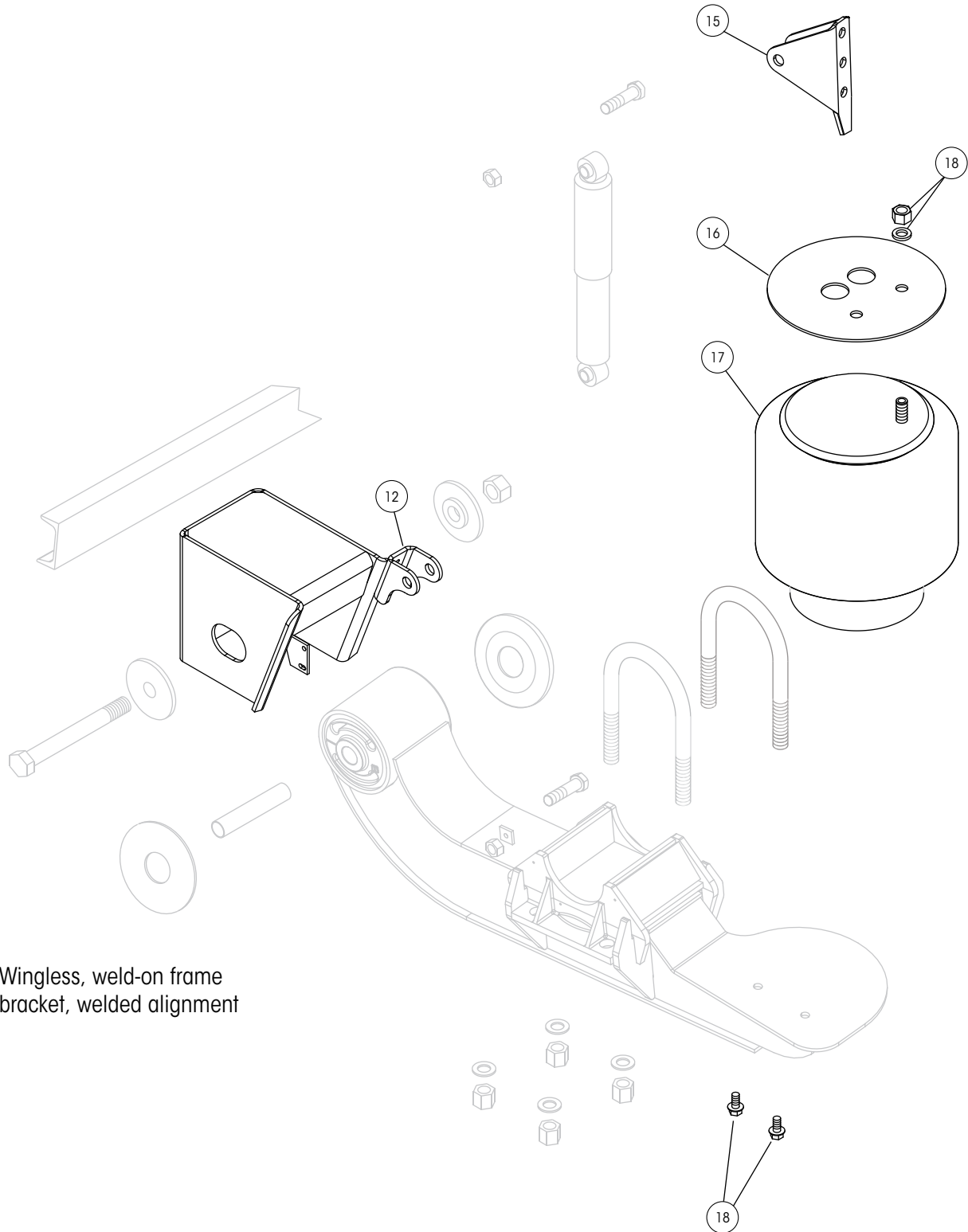
1. Bushing tool S-21307 is required to correctly re-bush the suspension

NOTE: Identification tag can be found on the front of the roadside frame bracket or the inside of the curbside beam.

HT250U UNDERSLUNG PARTS LIST



Picture shown may not resemble all models.



Wingless, weld-on frame
bracket, welded alignment



HT250U UNDERSLUNG PARTS LIST

ITEM	DESCRIPTION	PART NO.	QTY. PER SUSP.	FITS MODELS HT250 ? or N-HT250 ?				
11	SHOCK STRAP KITS (Not Shown) ²	S-14587-1	1	Use with S-20002 or S-1667 shock				
		S-14587-8	1	Use with S-21553 or S-20126 shock				
		S-14587-3	1	Use with S-2212 shock				
		S-14587-2	1	Use with S-2160 shock				
12	UPPER SHOCK CLEVIS	S-20113	2	U-6.5-024				
13	LOWER SHOCK CLEVIS (Not Shown)	S-2592	2	All models				
14	AIR SPRING SPACER ASSEMBLY (Not Shown)			Includes air spring plate and spacer assembly				
		C-21210-1	2	U-7.5-002				
		C-21210-3	2	U-9-002	U-9-029	U-12-001		
				U-12-006	U-12-008	U-12-517		
				UB12-001	UB12-006	UB12-027		
				UB12-028				
		C-21210-4	2	U-9-024	U-12-002	U-12-024		
				U-14-001	U-14-006	U-14-008		
				U-14-028	U-14-517	UB9-002		
				UB9-013	UB14-001	UB14-006		
				UB14-027	UB14-028			
		C-21215-3	2	U-12-007	U-12-026			
		C-21215-4	2	U-14-026	UB14-023			
C-21215-5	2	U-14-007						
A-22431	2	U-6.5-022						
15	UPPER SHOCK BRACKET	S-20023	2	U-6.5-030	U-6.5-031			
16	AIR SPRING PLATE	S-21209	2	U-6.5-001	U-6.5-002	U-6.5-008		
				U-6.5-011	U-6.5-020	U-6.5-023		
				U-6.5-024	U-6.5-027	U-6.5-030		
				U-6.5-031	U-6.5-517	U-7.5-001		
				U-7.5-005	U-7.5-008	U-7.5-017		
				U-7.5-027	U-7.5-517	U-9-001		
				U-9-006	U-9-008	U-9-010		
				U-9-022	U-9-027	U-9-028		
				U-9-517	UB6.5-001	UB6.5-002		
				UB6.5-517	UB6.5-522	UB7.5-001		
				UB7.5-005	UB7.5-522	UB9-001		
				UB9-010	UB9-522			
				B-21211	2	U-6.5-007	U-7.5-007	U-9-007
				C-11134	2	U-7.5-021	U-7.5-022	U-9-021
						U-9-023	U-9.2-026	U-15-022
						UB9-022	UB15-022	

2. Shock strap kits include (2) shock straps and (4) nylon ties. (1) shock strap kit required per axle.

NOTE: Identification tag can be found on the front of the roadside frame bracket or the inside of the curbside beam.

HT250U UNDERSLUNG PARTS LIST



ITEM	DESCRIPTION	PART NO.	QTY. PER SUSP.	FITS MODELS HT250 ? or N-HT250 ?
17	AIR SPRING	S-20124	2	All models except below
		S-20127	2	U-9-006 U-9-028 U-9-029
				U-12-006 U-14-006 U-14-028
				UB12-006 UB12-028 UB14-006
				UB14-028
		S-20413	2	U-6.5-011 U-6.5-023
		S-20414	2	U-9-010 UB9-010
		S-20716	2	U-6.5-002 U-6.5-003 U-6.5-031
		S-13122	2	U-9-020 U-9-021 U-9-023
				U-9.2-026 U-15-022 UB9-022
				UB15-022
18	AIR SPRING MOUNTING KIT	S-14249	2	U-7.5-021 U-7.5-022
		S-20033/2	2	All models except below
		S-4903/2	2	U-9-020 U-9-021 U-9-023
				U-15-022 UB9-022 UB15-022
19	HEIGHT CONTROL VALVE (Not Shown)	S-1981/2	2	U-7.5-021 U-7.5-022
		VS-227	1 ³	Fits all models. Includes height control valve, exhaust line and spacer bracket.
20	LINKAGE ASSEMBLY (Not Shown)	S-14187	1 ³	Includes linkage assembly and hardware
21	AUTO DUMP VALVE (Not Shown)	VS-23460	1 ³	Includes dump valve and fittings
22	PRESSURE PROTECTION VALVE (Not Shown)	VS-1128	1 ³	Includes valve only

3. Quantities for air control components are per trailer.

NOTE: Identification tag can be found on the front of the roadside frame bracket or the inside of the curbside beam.

Actual product performance may vary depending upon vehicle configuration, operation, service and other factors.

All applications must comply with applicable Hendrickson specifications and must be approved by the respective vehicle manufacturer with the vehicle in its original, as-built configuration. Contact Hendrickson for additional details regarding specifications, applications, capacities, and operation, service and maintenance instructions.

Call Hendrickson at 330.489.0045 or 866.RIDEAIR (743.3247) for additional information.



www.hendrickson-intl.com

TRAILER COMMERCIAL VEHICLE SYSTEMS
2070 Industrial Place SE
Canton, OH 44707-2641 USA
866.RIDEAIR (743.3247)
330.489.0045 • Fax 800.696.4416

Hendrickson Canada
250 Chrysler Drive, Unit #3
Brampton, ON Canada L6S 6B6
800.668.5360
905.789.1030 • Fax 905.789.1033

Hendrickson Mexicana
Circuito El Marqués Sur #29
Parque Industrial El Marqués
Pob. El Colorado, Municipio El Marqués,
Querétaro, México C.P. 76246
+52 (442) 296.3600 • Fax +52 (442) 296.3601

L938 Rev F 06-19

© 2006 – 2019 Hendrickson USA, L.L.C. All Rights Reserved. All trademarks shown are owned by Hendrickson USA, L.L.C., or one of its affiliates, in one or more countries. Information contained in this literature was accurate at the time of publication. Product changes may have been made after the copyright date that are not reflected.

Printed in United States of America