

TECHNICAL BULLETIN

COMPOSILITE™ Trailer Mount Enhancements

SUBJECT: Heavy-duty Tie Rod and V-Rod

LIT NO: TB-H755

DATE: April 2015

REVISION: F

INTRODUCTION

NEW COMPOSILITE™ HEAVY-DUTY ENHANCEMENTS

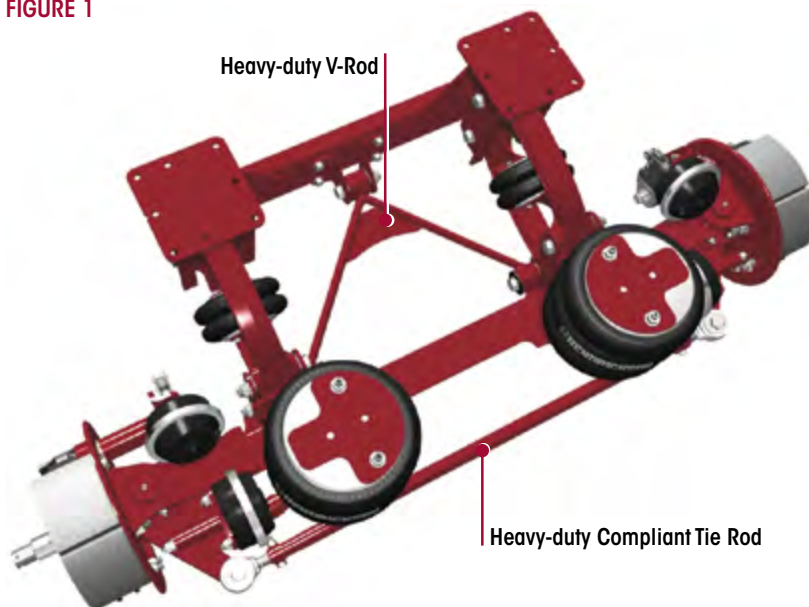
This publication is intended to notify Hendrickson customers of a new enhancement for COMPOSILITE™ trailer mount lift axles. All COMPOSILITE steerable trailer mount assemblies sold will now be equipped with the **Heavy-duty Compliant Tie Rod (HD CTR)** for vehicle applications in both the U.S. and Canada, refer to Table 1.

Beginning May 1, 2015, the **Heavy-duty V-Rod** (see Figure 1) will also be equipped as a standard enhancement on specific COMPOSILITE models as shown in Table 1.

TABLE 1

| Trailer Mount Model | HD CTR Tie Rod | V-Rod |
|---------------------|----------------|----------|
| SC08/10 | Standard | Standard |
| SC13 | Standard | Standard |
| SC20 | Standard | Optional |
| FX08/10 | N/A | Standard |
| FX13 | N/A | Standard |

FIGURE 1



Aftermarket Service Kits —The HD CTR and the Heavy-duty V-Rod are also available in separate aftermarket service kits, see page 2. These enhancements are designed to help further increase the life of wear items in heavy-duty applications and vehicles operating in severe operating environments.

Contact Hendrickson Specialty Products — Auxiliary Axle Systems for more information regarding any new or existing COMPOSILITE trailer mount lift axle applications.

Refer to the Hendrickson Auxiliary Axle Systems Steerable Lift Axle publications (H633 for steerable) and (H621 for non-steer) for complete installation, preventive maintenance, service and safety instructions available online at www.hendrickson-intl.com.



HEAVY-DUTY COMPLIANT TIE ROD

The Heavy-duty Compliant Tie Rod (HD CTR) incorporates the bushing wind up and self-centering capabilities of the standard CTR, while providing the increased rigidity of a tubular tie rod. The HD CTR is now a standard feature on all new COMPOSILITE steerable trailer mount assemblies purchased for vehicles operating in the U. S. and Canadian market.



| Standard Track HD CTR Service Kit R-013544-13 / R-013544-22 | |
|--|-----|
| CONTENTS | |
| Description | QTY |
| Tie Rod Ends | 2 |
| Solid Cross Tube | 1 |
| NOTE: * Field service kits vary depending upon different model configurations. Contact Hendrickson Auxiliary Axle Systems with the full model number to help determine the appropriate kit number for your lift axle. OEMs may have a different track length from standard. | |

- This enhancement is designed to help ensure proper functionality in severe operating conditions and heavy-duty applications seen in the trailer market. The HD CTR assembly is also available in aftermarket service kits for fleets that may desire additional tie rod rigidity and performance in their applications.
- Kit Nos. R-013544-13 / R-013544-22 (replaces Kit Nos. R-013113-20/R-013113-13). Kit No. R-013544-21 is for units with short track axle.

HEAVY-DUTY V-ROD

The Heavy-duty V-Rod is now a standard feature on all new COMPOSILITE SC08/10, SC13, FX08/10, and FX13 trailer mount lift axles and as an optional enhancement on the COMPOSILITE SC20, refer to Table 1. This aftermarket service kit is available for fleets that may desire additional lateral load stability in their applications.



- The heavy-duty V-Rod further increases the lateral load capability for each COMPOSILITE configuration.

Refer any questions on this publication to Hendrickson Auxiliary Axle Systems Tech Services:



Toll-free U.S. and Canada
1.800.660.2829
Outside U.S. and Canada
1.740.929.5600



Parts Identification
LiftAxle@hendrickson-intl.com
Technical Support
LiftAxleTech@hendrickson-intl.com



1.740.929.5601



Additional Hendrickson
Product Information
www.hendrickson-intl.com

Heavy-duty V-Rod Service Kit*

| CONTENTS | |
|--|-----|
| Description | QTY |
| Beam Spacers | 2 |
| V-Rod Assembly | 1 |
| Cross Member Mount | 1 |
| Mounting Hardware | 1 |
| NOTE: * Field service kits vary depending upon different model configurations. Contact Hendrickson Auxiliary Axle Systems with the full model number to help determine the appropriate kit number for your lift axle. | |

www.hendrickson-intl.com



Specialty Products - Auxiliary Axle Systems
277 North High Street
Hebron, OH 43025-8008 USA
1.800.660.2829 (Toll-free U.S. and Canada)
1.740.929.5600 (Outside U.S. and Canada)
Fax 1.740.929.5601

Hendrickson Canada
250 Chrysler Drive, Unit #3
Brampton, ON L6S 6B6 Canada
905.789.1030
Fax 905.789.1033