

# PARTS LIST

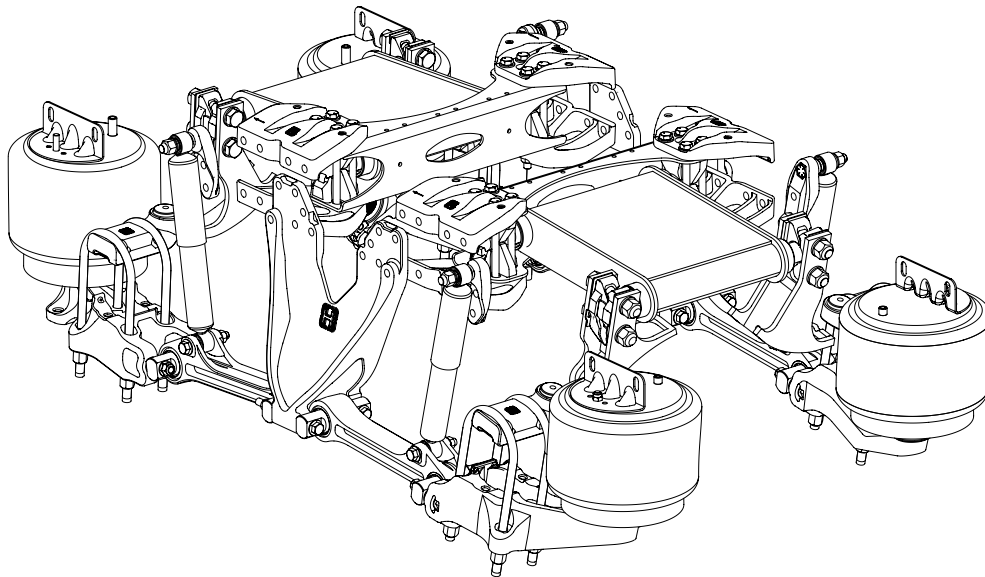
## HTB<sup>®</sup> LT Rear Air Suspension for International<sup>®</sup> Truck Vehicles

LIT NO: SP-181

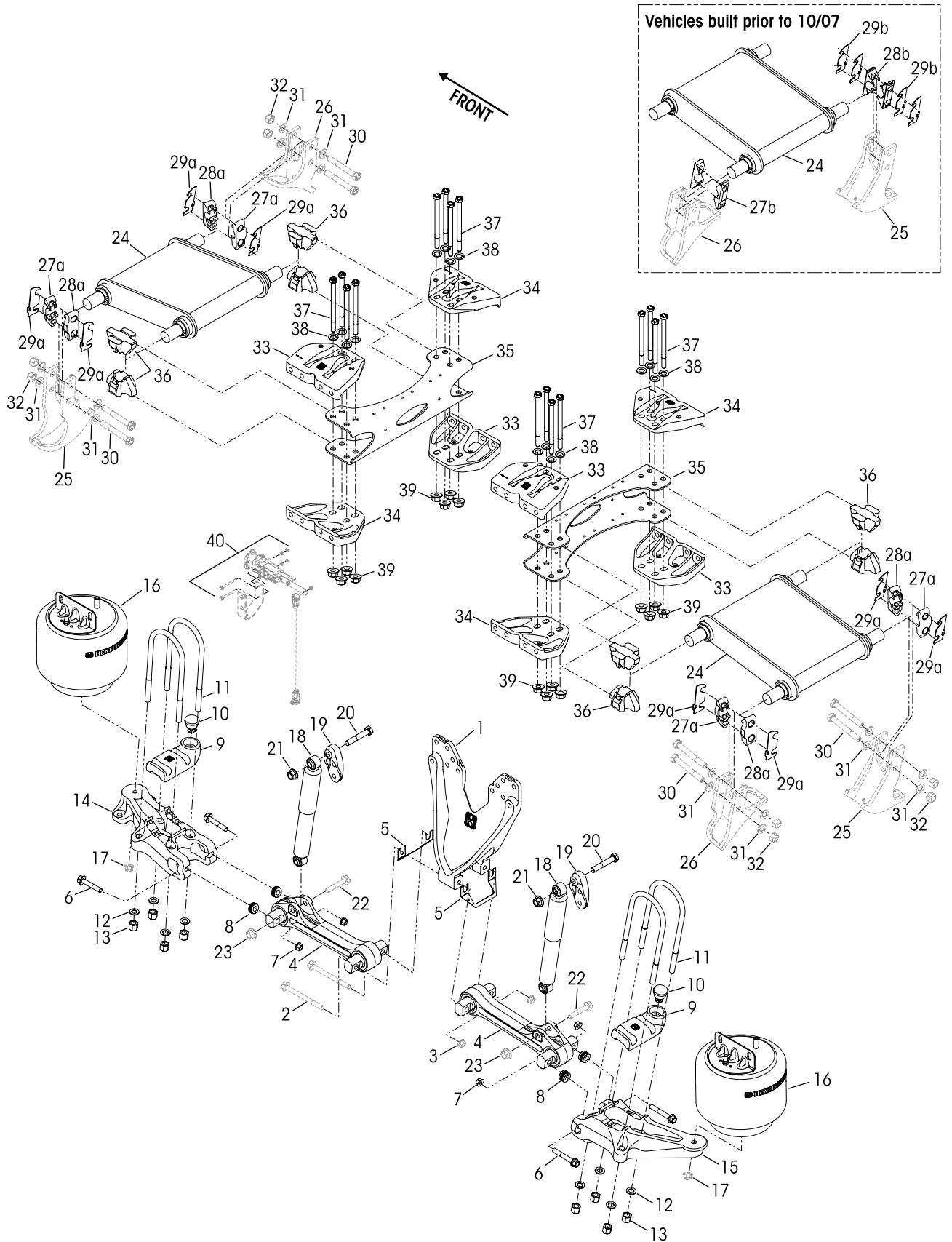
DATE: July 2016

REVISION: D

---



40K Capacity





VEHICLE				VEHICLE			
KEY NO.	PART NO.	DESCRIPTION	QTY.	KEY NO.	PART NO.	DESCRIPTION	QTY.
1	65700-000	Frame Hanger	2	22		*Lower Shock Flange Hex Bolt	4
2		*Frame Hanger Flange Hex Bolt	4	23		*Lower Shock Flange Locknut	4
3		*Frame Hanger Flange Locknut	4		60961-721	<b>Torque Box Service Kit, Single Axle,</b> Includes Key Nos. 4, 24, 27a-29a, 36-39	
4	77906-398	Torque Rod Assembly, <i>Replaces 64768-398</i>	4	24	64785-007B	Torque Box Assembly, <i>Replaces 64785-001, 64785-002B</i>	2
5		Torque Rod Shims	As Req.	25		**Tall Axle Bracket	2
	65640-001	0.030"		26		**Short Axle Bracket	2
	65640-002	0.060"		27		Axle Bracket Bar Pin Clamp	4
	65640-003	0.120"		a	67157-001	LH, <i>Vehicles built after 10/07</i>	
6	66636-00X	5/8"-11 UNC Torque Rod Flange Bolt, <i>(See chart below for length and Part No.)</i>	8	b	66174-000	Non-Adjustable, <i>Vehicles built prior to 10/07</i>	
7	66637-000	5/8"-11 UNC Torque Rod Flange Locknut	8	28		Axle Bracket Bar Pin Clamp	4
8	66193-00X	Pinion Spacer <i>(See chart below)</i>	8	a	67157-002	RH, <i>Vehicles built after 10/07</i>	
9	65708-000	Axle Top Pad Assembly, Includes Key No. 10	4	b	66274-000	Adjustable, <i>Vehicles built prior to 10/07</i>	
10	64080-000	Axle Stop	4	29		Axle Bracket Spacer (3/32")	8
	48718-116	<b>U-bolt Fasteners Service Kit, Single Axle</b> Includes Key Nos. 11-13		a	67237-001	<i>Vehicles built after 10/07</i>	
11	64102-002	3/4"-16 UNF x 14" U-bolt	8	b	65737-001	<i>Vehicles built prior to 10/07</i>	
12	22962-001	3/4" Hardened Flat Washer	16	30		*Axle Bracket Hex Bolt	8
13	49685-000	3/4"-16 UNF U-bolt Locknut	16	31		*Axle Bracket Washer	16
14		Lower Air Spring Bracket, Front <i>(See chart below)</i>	2	32		*Axle Bracket Locknut	8
15		Lower Air Spring Bracket, Rear <i>(See chart below)</i>	2			Cross Member Gusset	
16	66643-002L	Air Spring Assembly, <i>Replaces 60977-002L</i>	4	33	65705-001	LH Top, RH Bottom	4
17		*1/2"-13 UNC Flange Nut	4	34	65705-002	LH Bottom, RH Top	4
18	60657-008L	Shock Absorber, <i>Replaces 60657-006</i>	4	35	67478-000	Cross Member C-Channel, <i>Replaces 64970-000</i>	2
	60657-010L	ProStar		36	65144-000	Cross Member Bar Pin Clamp	8
	60657-011L	Prostar Daycab			60961-722	<b>Torque Box Fasteners Service Kit, Single Axle,</b> Includes Key Nos. 29a, 37-39	
19	67463-002	Shock Absorber Frame Bracket	4	37	32043-022	5/8"-11 UNC x 8 3/4" Cross Member Hex Bolt	16
	50754-022	<b>Upper Shock Mount Fastener Kit, One Shock,</b> Includes Key Nos. 20-21		38	22962-004	5/8" Cross Member Washer	16
20	58917-001	3/4"-10 UNC x 4 1/4" Hex Bolt, <i>Replaces 50764-010</i>	4	39	66637-000	5/8"-11 UNC Cross Member Flange Locknut	16
21	66137-000	3/4"-10 UNC Flange Locknut	4	40		*Height Control Valve and Linkage Assembly	1

**NOTE:**

- \* Not supplied by Hendrickson, used for reference only. Hendrickson is not responsible for components supplied by the vehicle manufacturer. For assistance with maintenance and rebuild instructions on these components see vehicle manufacturer.
- \*\* Supplied to the axle manufacturer by Hendrickson. Hendrickson is not responsible for installation of the axle brackets installed by the axle manufacturer. For assistance with maintenance and rebuild instructions on these components, see the axle manufacturer.

	Pinion Angle	Key No. 14, 15		Key No. 8		Key No. 6	
		Air Spring Bracket Part No.		Pinion Spacer		Torque Rod Flange Bolt	
		Left Hand	Right Hand	Thickness	Part No.	Length	Part No.
FRONT	2°			None	None	3 1/2"	66636-004
	3°	65638-001	65638-002	8 mm	66193-001	4"	66636-003
	4°			16 mm	66193-002		
	5°			24 mm	66193-003	4 1/2"	66636-002
REAR	8°			65698-001	65698-002	24 mm	66193-003
	9°	16 mm	66193-002			4"	66636-003
	10°	8 mm	66193-001				
REAR	11°	64764-001	64764-002	24 mm	66193-003	4 1/2"	66636-002
	12°			16 mm	66193-002		
	13°			8 mm	66193-001	4"	66636-003

This is a general parts list to provide directional information. Components may vary by model. Questions in regards to parts, contact Hendrickson Truck Parts at 1.866.755.5968 (Toll-free U.S. and Canada), 630.910.2800 (Outside U.S. and Canada) or e-mail: [truckparts@hendrickson-intl.com](mailto:truckparts@hendrickson-intl.com).

---

[www.hendrickson-intl.com](http://www.hendrickson-intl.com)



Truck Commercial Vehicle Systems  
800 South Frontage Road  
Woodridge, IL 60517-4904 USA

1.866.755.5968 (Toll-free U.S. and Canada)  
630.910.2800 (Outside U.S. and Canada)  
Fax 630.910.2899