



AIRTEK[®]

Integrated Front Air Suspension
and Steer Axle System



Save weight and improve ride on terminal tractors

AIRTEK[®] combines superior design and engineering, improving ride and handling versus traditional axle and suspension systems. Its exclusive air springs support the majority of the load, greatly increasing driver comfort. Hendrickson's advanced air suspension technology aids in the isolation of noise, vibration and harshness, which helps reduce driver fatigue. AIRTEK provides a premium ride while maintaining constant ride height, improving maneuverability during sudden stops and sharp turns while braking.

To learn more about AIRTEK
call 855.743.3733 or visit
www.hendrickson-intl.com

 **HENDRICKSON**
The World Rides On Us[®]

AIRTEK® Hoist T-Series Terminal Tractors

Capacities of 14,600 lbs.

Stability and Handling

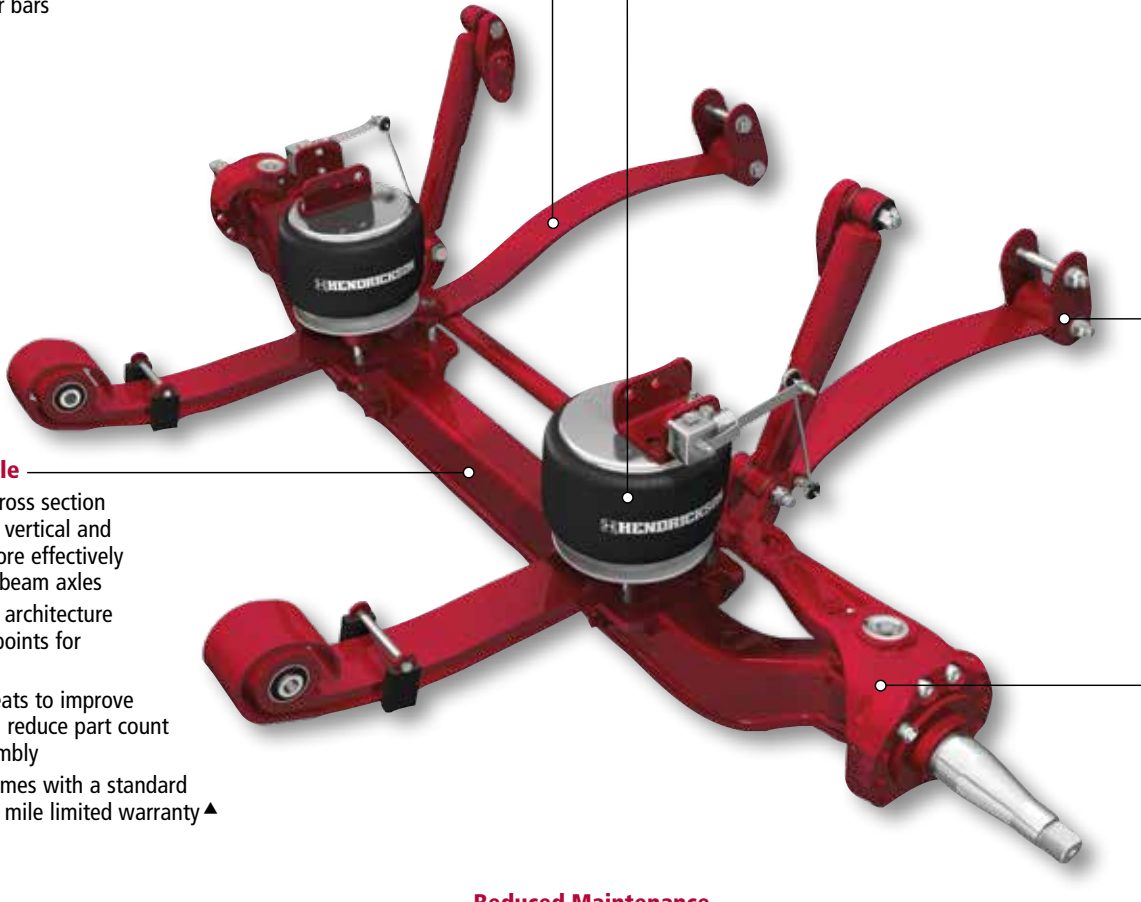
- Leaf spring assembly forms a torsion system with the axle to help roll stability without the use of stabilizer bars

Improved Ride and Comfort

- Exclusive air springs support a majority of the load to provide a low spring rate and to improve ride
- Height Control Valve maintains constant ride height

STEERTEK NXT Axle

- The box-shaped cross section resists horizontal, vertical and twisting forces more effectively than traditional I-beam axles
- Continuous beam architecture minimizes stress points for added durability
- Integrated axle seats to improve ground clearance, reduce part count and simplify assembly
- STEERTEK NXT comes with a standard 10-year, 1 million mile limited warranty▲



Reduced Maintenance

- Unique two-piece knuckle design eliminates the need to remove the kingpin to service the knuckle
- Durable rubber front and rear bushings require no lubrication
- Premium kingpin bushings and seals provide enhanced protection from the elements to improve bushing life
- Quick "snap" installation feature of air spring and "push-to-connect" air supply design provides efficient installation and removal of air springs and height control valves

▲ 10-year, 1 million mile limited warranty covers certain structural components only. Warranty coverage applies to the axle beam, steering arm, knuckle assembly and kingpin when used in applications approved by Hendrickson and within the proper guidelines of the product. Warranty does not cover components experiencing normal wear. Contact Hendrickson for full warranty details and limitations.

Call Hendrickson at **630.910.2800** or **855.RIDERED (743.3733)** for additional information.



www.hendrickson-intl.com

TRUCK COMMERCIAL VEHICLE SYSTEMS

800 South Frontage Road
Woodridge, IL 60517-4904 USA
855.RIDERED (743.3733)
630.910.2800 • Fax 630.910.2899



www.hoistlift.com