

# **H** PARTS LIST

HS190T / HS230 / HS300T

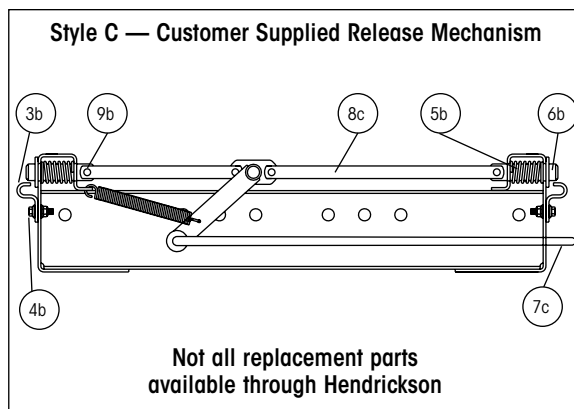
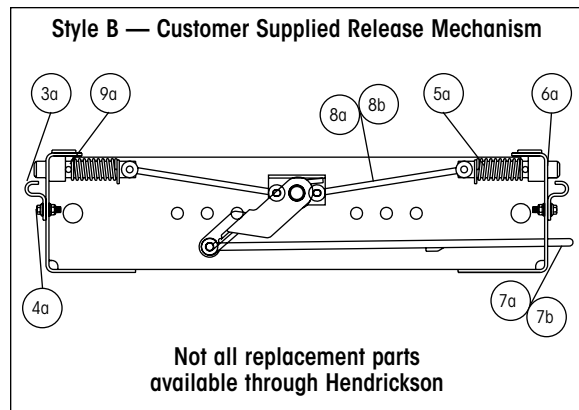
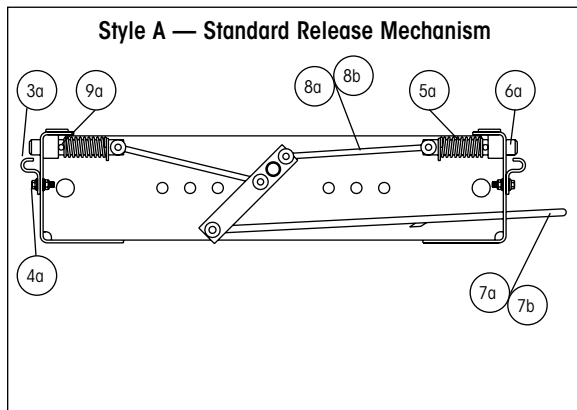
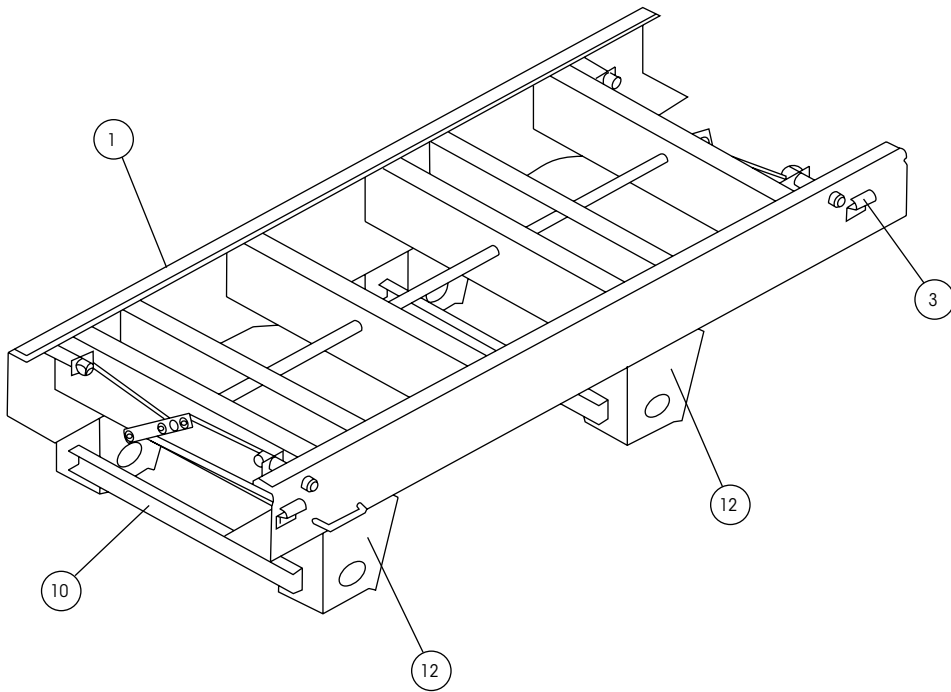
LIT NO: L1085

DATE: June 2019

REVISION: B

---

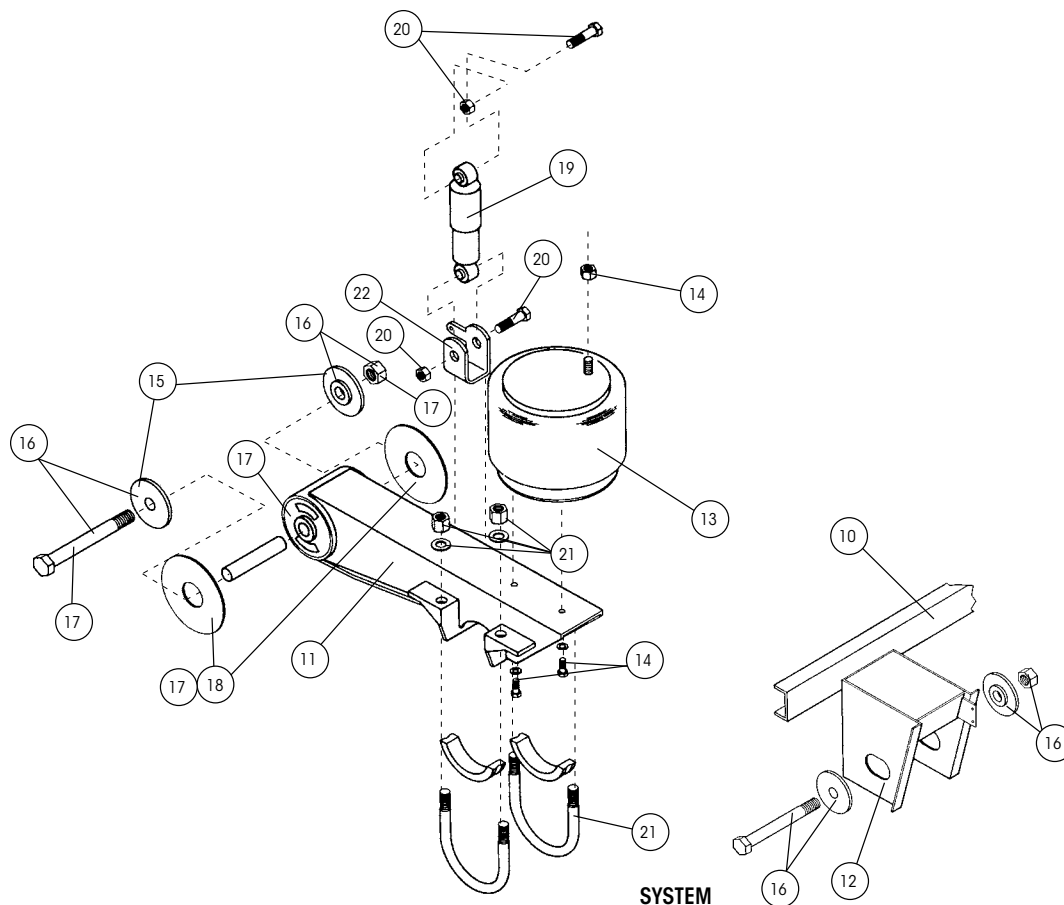






# HS190T / HS230 / HS300T SLIDER BOX COMPONENTS

ITEM	DESCRIPTION	PART NO.	SYSTEM QTY.	NOTE
<b>1</b>	<b>SLIDER WEAR PAD KIT</b>			
	1a 49" axle centers	S-14342-1	2	Includes (1) wear pad and (8) screws
<b>2</b>	<b>WEAR PAD SCREW</b> (not shown)	A-29372	16	
<b>3</b>	<b>BODY RAIL CLIP</b>			
	3a Style A and Style B	S-14108	4	Hole centers measure 1-1/2"
	3b Style A and Style B	S-22366	4	Hole centers measure 2"
	3c Style C	9635-00		Hole centers measure 4"; includes rail clip bolt. Contact Hendrickson for assistance
<b>4</b>	<b>BODY RAIL CLIP BOLT</b>			
	4a Style A and Style B	SA-6900-2	8	1/2"-13 x 1-1/2" flanged bolt, grade 8
	4b Style C	N/A		Included in part # 9635-00
<b>5</b>	<b>LOCKING PIN SPRING</b>			
	5a Style A and Style B	S-14102	4	
	5b Style C	12779-01		Contact Hendrickson for assistance
<b>6</b>	<b>LOCKING PIN</b>			
	6a Style A and Style B	S-14104	4	
	6b Style C	12716-01		Contact Hendrickson for assistance
<b>7</b>	<b>ACTUATOR ARM</b>			
	7a Style A — 42" box width	S-26010-2	1	
	Style B — 42" box width	B-14573-2	1	
	7b Style A — 48" box width	S-26010-1	1	
	Style B — 48" box width	B-14573-2	1	
	7c Style C — 42" and 48" box widths	12781-01		Contact Hendrickson for assistance
<b>8</b>	<b>LOCKING PIN LINK</b>			
	8a Style A — 42" box width	B-14112-2	4	
	Style B — 42" box width	B-14112-4	4	
	8b Style A — 48" box width	B-14112-1	4	
	Style B — 48" box width	B-14112-3	4	
	8c Style C — 42" box width	11412-02		Contact Hendrickson for assistance
	Style C — 48" box width	11412-16		
<b>9</b>	<b>LOCKING PIN ROD</b>			
	9a Style A and Style B	S-14106	4	
	9b Style C	12780-1		Contact Hendrickson for assistance
<b>10</b>	<b>FRAME BRACKET CHANNEL</b>	A-1631-6	2	For units with welded alignment only
<b>11</b>	<b>BEAM ASSEMBLY</b> (see back page)			
	11a Front or Rear; overall length is 32.65"			
	Roadside	S-20000-1		Bushing included
	Curbside	S-20000-2		Bushing included
	11b Rear; overall length is 36.82"			
	Roadside	S-21736-1		For units equipped with SURELOK®. Bushing included
	Curbside	S-21736-2		For units equipped with SURELOK Bushing included
	11c Front or Rear; overall length is 34.57"			
	Roadside	S-20186-1		HS300T only
	Curbside	S-20186-2		HS300T only
<b>12</b>	<b>FRAME BRACKET</b> (see back page)			Contact Hendrickson for assistance
<b>13</b>	<b>AIR SPRING</b> (see back page)			
	13a HS190T Sliders	S-20223	4	
	13b HS230 Sliders	S-20010	4	
	13c HS300T Sliders	S-4771	4	
<b>14</b>	<b>AIR SPRING BOLT KIT</b> (see back page)			
	14a HS190T and HS230	S-20033/2	4	
	14b HS300T	S-4903	2	
<b>15</b>	<b>ALIGNMENT COLLARS</b> (see back page)			
	15a Welded alignment	S-2770	8	
	15b Eccentric (outer) QUIK-ALIGN®	S-20925	4	Pivot bolt hole is offset from center of collar
	15c Concentric (inner) QUIK-ALIGN	S-20924	4	Pivot bolt hole is in center of collar



ITEM	DESCRIPTION	PART NO.	QTY.	NOTE
16	<b>PIVOT BOLT KIT</b>			
	16a Welded alignment	S-3646	4	Includes bolt, nut and delrin liner
	16b QUIK-ALIGN <sup>1</sup>	S-24679	4	Includes bolt, HEXNUT and washers
17	<b>TRI-FUNCTIONAL® BUSHING KIT<sup>2</sup></b>			
	17a Welded alignment	S-6914	4	
	17b QUIK-ALIGN	S-24691	4	
18	<b>BUSHING TUBE SPACERS</b>	S-21099	8	
19	<b>SHOCK ABSORBER</b>			
	19a HS190T Sliders	S-20001	4	
	19b HS230 Sliders	S-20002	4	
	19c HS300T Sliders	S-20126	4	
20	<b>SHOCK ABSORBER BOLT KIT</b>	S-20031/2	4	
21	<b>U-BOLT KIT</b>	S-21140	2	
22	<b>LOWER SHOCK CLEVIS</b>	S-20069	4	

- Best installed with Hendrickson's E-20 socket S-24536 (1-inch drive sleeveless), S-25119 (1-inch drive sleeve) or S-24303 (3/4-inch drive sleeveless).
- Bushing tool S-21307 is required to correctly re-bush the suspension.

Actual product performance may vary depending upon vehicle configuration, operation, service and other factors.  
 All applications must comply with applicable Hendrickson specifications and must be approved by the respective vehicle manufacturer with the vehicle in its original, as-built configuration.  
 Contact Hendrickson for additional details regarding specifications, applications, capacities, and operation, service and maintenance instructions.

**Call Hendrickson at 330.489.0045 or 866.RIDEAIR (743.3247) for additional information.**



www.hendrickson-intl.com

**TRAILER COMMERCIAL VEHICLE SYSTEMS**  
 2070 Industrial Place SE  
 Canton, OH 44707-2641 USA  
 866.RIDEAIR (743.3247)  
 330.489.0045 • Fax 800.696.4416

**Hendrickson Canada**  
 250 Chrysler Drive, Unit #3  
 Brampton, ON Canada L6S 6B6  
 800.668.5360  
 905.789.1030 • Fax 905.789.1033

**Hendrickson Mexicana**  
 Circuito El Marqués Sur #29  
 Parque Industrial El Marqués  
 Pob. El Colorado, Municipio El Marqués,  
 Querétaro, México C.P. 76246  
 +52 (442) 296.3600 • Fax +52 (442) 296.3601