

# PARTS LIST

## COMFORT AIR® Single Rear Air Suspension for Blue Bird Buses

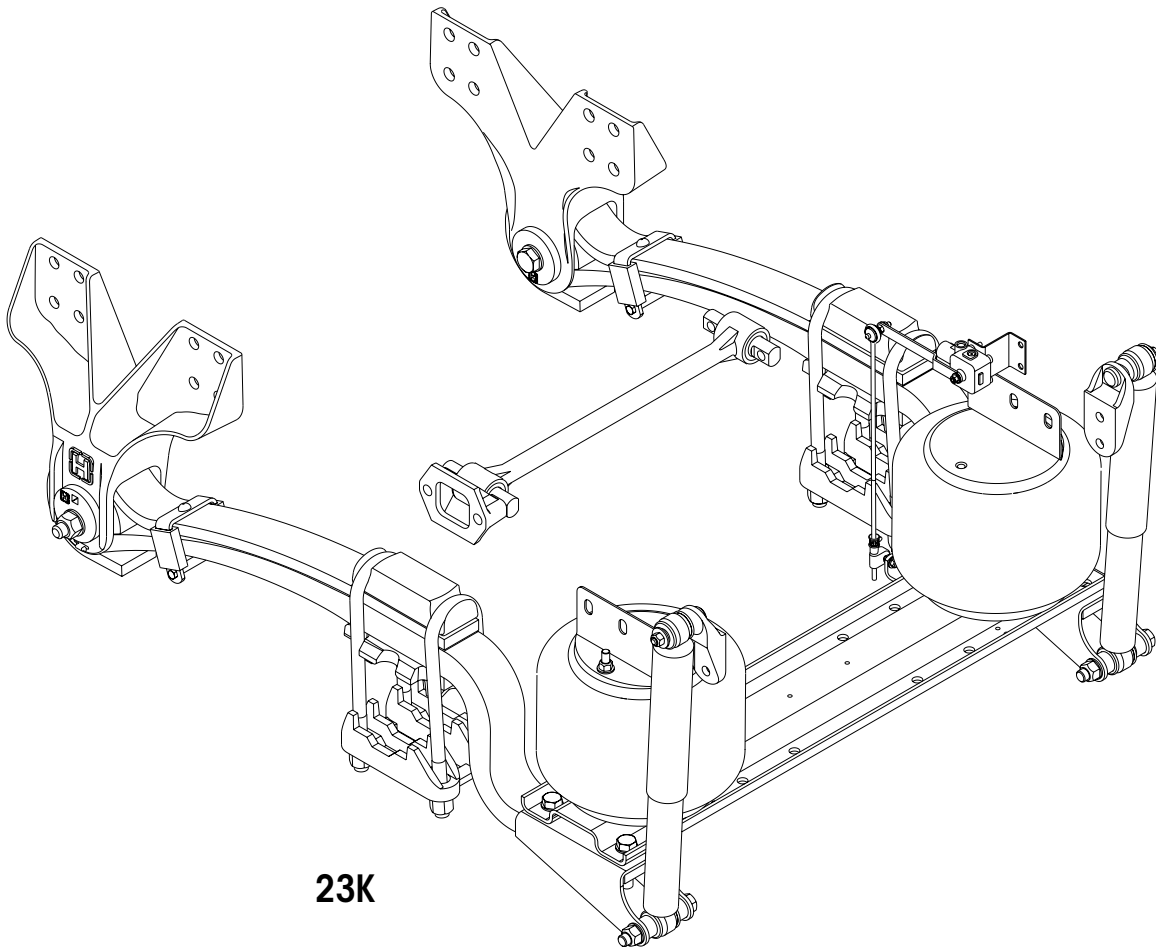
LIT NO: SP-173

DATE: July 2019

REVISION: G

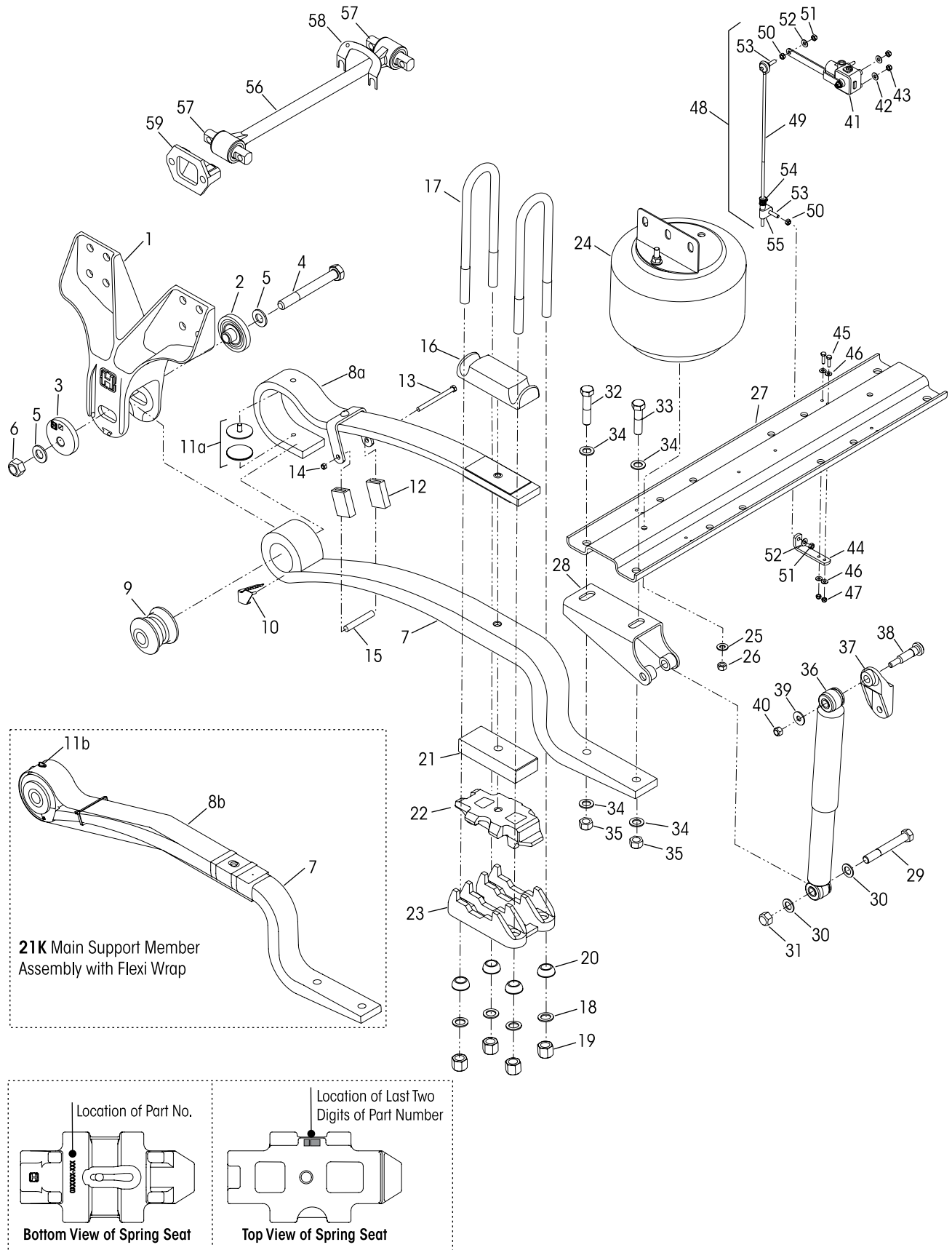
### CONTENTS

DESCRIPTION	PAGE
Parts Lists .....	2
Special Tools .....	4





■ 21K • 23K





KEY NO.	PART NO.	DESCRIPTION	VEHICLE QTY.	KEY NO.	PART NO.	DESCRIPTION	VEHICLE QTY.
1	60784-000	Frame Hanger	2	23	50216-000	Axle Bottom Cap	2
	60632-038	<b>QUIK-ALIGN® Pivot Bushing &amp; Collar Service Kits</b>				Meritor RS21-145 - 0-9½° Pinion Angle LH/RH,	
	60632-044	<b>Axle Set</b> , Includes Key Nos. 2-6, 9, 11a, 60				Meritor RC23-160 - Negative 0-9½° Angle LH/RH	
	34013-103	<b>QUIK-ALIGN Pivot Bushing Service Kit, One Side</b>		24		Air Spring Assembly, Includes Upper Bracket	2
	34013-322	Includes Key Nos. 4-6, 9, 11a, 60				and Fasteners	
	60632-013	<b>QUIK-ALIGN Collar Service Kit, Axle Set</b> ,		60925-002	21K • 23K		
		Includes Key Nos. 2-6, <i>Replaces 60632-001</i>		60929-002	Front Engine, 21K • 23K		
2		*QUIK-ALIGN Concentric Collar	3	49177-006	<b>Lower Air Spring Fastener Service Kit, Axle Set</b>	Includes Key Nos. 25-26	
3		*QUIK-ALIGN Eccentric Collar	1	25	22962-014	½" Flat Washer	2
	60632-018	<b>QUIK-ALIGN Fastener Service Kit, One Side</b> ,		26	17700-010	½"-13 UNC Nylocknut	2
		Includes Key Nos. 4-6		27		Cross Channel – 40" Axle Dowel Pin Centers	1
4		*1"-14 UNF x 7½" Bolt, <i>Replaces 64107-000</i>	2		57317-001	Standard	
5		*1" Hardened Washer, <i>Replaces 22962-035</i>	4		64399-001	For Differential Relief	
6		*1"-14 UNF Locknut, <i>Replaces 64108-000</i>	2		67156-001	Square Tube for Rear Engine, Propane	
		Main Support Assembly	2		57356-000	Lower Shock Bracket Assembly,	2
	82433-000	23K, Includes Key Nos. 7, 8a, 9-10, 11a, 12-15				Includes Key Nos. 28-31	
	82432-000	21K, Includes Key Nos. 7, 8b, 9, 11b, 12		28	57355-000	Lower Shock Bracket	2
7		*Main Support Member	2	29	50764-002	¾"-10 UNC x 5½" Bolt	2
8 a		*23K, Secondary Leaf	2	30	22962-001	¾" Hardened Washer	4
b		*21K, Flexi Wrap, Includes Key No. 11b	2	31	49842-000	¾"-10 UNC Locknut	2
9	58648-000L	QUIK-ALIGN Pivot Bushing	2		50763-004	<b>Cross Channel Fastener Service Kit, Axle Set</b> ,	
10	60392-000	Spring Eye Clip	2			Includes Key Nos. 32-35	
	49175-026	<b>Spring Eye Clip Fastener Service Kit, One Side</b> ,		32	50764-003	¾"-10 UNC x 3½" Bolt	2
		Includes Key Nos. 11a, 12-15		33	50764-005	¾"-10 UNC x 3" Bolt	2
11 a	64817-000	23K, Plastic Isolator Puck	4	34	22962-001	¾" Hardened Washer	8
b	59770-000	21K, Rubber Isolator Pad	4	35	49842-000	¾"-10 UNC Locknut	4
12	64272-000	Spring Eye Clip Sleeve	4	36	60998-003L	Shock Absorber, <i>Replaces 60998-001</i>	2
13	37042-006	¾"-14 UNC Bolt, <i>Replaces 37042-002</i>	2	37	67463-002	Upper Shock Bracket	2
14	37587-000	¾"-14 UNC Locknut	2	38	50764-010	¾"-10 UNC Serrated Shank Bolt	2
15		*Clip Bolt Spacer	2	39	22962-001	¾" Hardened Washer	2
16	56805-000	Top Pad	2	40	49842-000	¾"-10 UNC Locknut	2
		<b>U-bolt Service Kit, Axle Set</b>			59013-000	<b>Single Height Control Valve Service Kit</b> ,	
	48718-023	21K, 23K w/o Tire Chains, Includes Key				Includes Key Nos. 41-43	
		Nos. 17a, 18-20		41		*Height Control Valve	1
	48718-002	23K, Includes Key Nos. 17b, 18-20		42		*¾" Hardened Washer	2
	48718-103	21K, 23K w/o Tire Chains, Includes Key		43		*¾"-20 UNC Locknut	2
		Nos. 17c, 18-20				<b>HCV Linkage Lower Bracket Service Kit</b>	
	48718-152	23K, Includes Key Nos. 17d, 18-20			57430-000	All Except Rear Engine, Includes Key Nos. 44a-47	
					57430-003	Rear Engine Only, Includes Key Nos. 44b-47	
17		¾"-14 UNF U-bolt	4	44		HCV Linkage Bracket	1
a	47417-007	15"		a	56789-000	All Except Rear Engine	
b	47417-001	16¼"		b	58367-000	Rear Engine	
c	47417-004	17¼"		45	56935-001	¼"-20 UNC x 1¼" Bolt	2
d	47417-009	18"		46	22962-028	¼" Hardened Washer	4
18	22962-002	¾" Hardened Flat Washer	8	47	49983-000	¼"-20 UNC Locknut	2
19	50765-000	¾"-14 UNF U-bolt Locknut	8	48	58994-XXX	HCV Linkage Assembly, Specify Length	1
20	48574-000	Spherical Washer	8			Includes Key Nos. 49-55	
21		Spacer	As Req.	49		*HCV Linkage Rod	1
	48531-014	1½"		50		*5/16"-18 UNC Jam Nut	2
	76863-001	2½"		51		*5/16"-18 UNC Locknut	2
22		Spring Seat	2	52		*5/16" Hardened Washer	2
	57022-010	Meritor RS15-120 - 4½° Pinion Angle LH / RH		53		*5/16"-18 UNC Stud	2
		Meritor RS21-145, RS23-160		54		*Valve Arm Clamp	1
	56501-001	2° Pinion Angle LH/RH, 8.5" Ride Height		55		*Adjustable Valve Arm Joint	1
	56501-002	2.5° Pinion Angle LH/RH		56	62000-XXX	Transverse Torque Rod Assembly, Specify Length	1
	56501-006	4.5° Pinion Angle LH/RH, 8.5" Ride Height		57	47691-000L	Torque Rod Bushing	2
	56501-009	6° Pinion Angle LH/RH		58	49689-000L	Torque Rod Shim	As Req.
	56501-020	4.5° Pinion Angle LH/RH, 10.5" Ride Height		59	22186-000	Transverse Torque Rod Frame Bracket	1
	56501-021	0° Pinion Angle LH/RH		60	70867-001	P-80 Lubricant - 10 ml (Not Shown)	As Req.
	56501-022	2° Pinion Angle LH/RH, 10.5" Ride Height					
		Meritor RC23-160					
	56501-020	Negative 4.5° Pinion Angle LH/RH					

**NOTE:** \* Item included in kit/assembly only, part not sold separately.

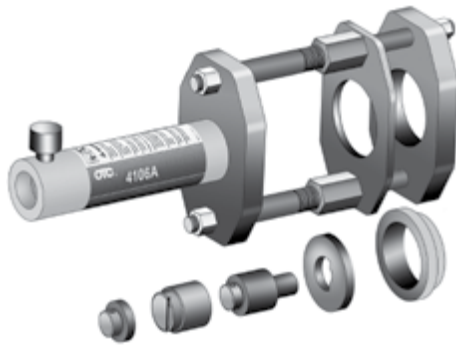


■ Special Tools

**D-PIN / QUIK-ALIGN PIVOT BUSHING SERVICE TOOLS**

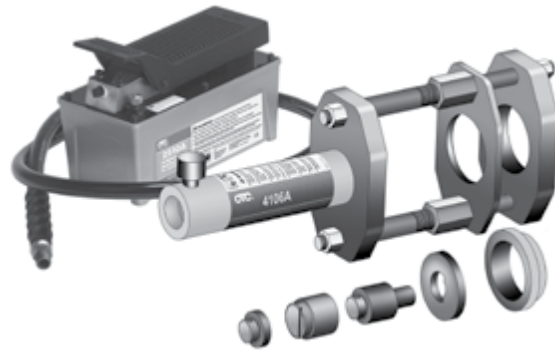
Hendrickson Part No. 66086-202

OTC Part No. 4246 Visit [otctools.com](http://otctools.com)



Hendrickson Part No. 66086-204

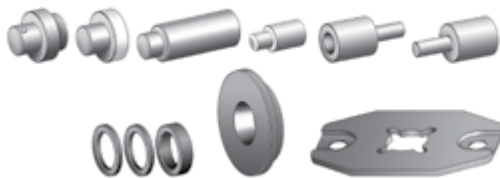
OTC Part No. 4247 Visit [otctools.com](http://otctools.com)



Hendrickson Part No. 66086-205

OTC Part No. 4254 Visit [otctools.com](http://otctools.com)

**NOTE:** In conjunction with Hendrickson Part No. 66086-204 (OTC 4247) this additional adapter tool kit is available to purchase to be used on Hendrickson SOFTEK NXT suspension (not needed for this suspension)



**QUIK-ALIGN PIVOT BUSHING SERVICE TOOL**

Hendrickson Part No. 66086-203L



**QUIK-ALIGN SOCKET TOOL**

Hendrickson Part No. 66086-200

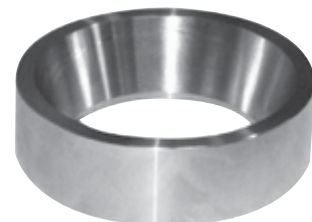
OTC Part No. 1767

Visit [otctools.com](http://otctools.com)



**ULTRA ROD TORQUE ROD BUSHING FUNNEL TOOL**

Hendrickson Part No. 66086-001



This is a general parts list to provide directional information. Components may vary by model. Questions in regards to parts, contact Hendrickson Truck Parts at 1.866.755.5968 (Toll-free U.S. and Canada), 630.910.2800 (Outside U.S. and Canada) or e-mail: [truckparts@hendrickson-intl.com](mailto:truckparts@hendrickson-intl.com). Actual product performance may vary depending upon vehicle configuration, operation, service and other factors. All applications must comply with applicable Hendrickson specifications and must be approved by the respective vehicle manufacturer with the vehicle in its original, as-built configuration. Contact Hendrickson for additional details regarding specifications, applications, capacities, and operation, service and maintenance instructions.

Call your truck dealer or Hendrickson at **1.866.755.5968** (toll-free) or **1.630.910.2800** for additional information.



[www.hendrickson-intl.com](http://www.hendrickson-intl.com)

**TRUCK COMMERCIAL VEHICLE SYSTEMS**  
 800 South Frontage Road  
 Woodridge, IL 60517-4904 USA  
 1.866.755.5968 (Toll-free U.S. and Canada)  
 1.630.910.2800 (Outside U.S. and Canada)  
 Fax 1.630.910.2899

SP-173 Rev G 07-19

© 2001 – 2019 Hendrickson USA, L.L.C. All Rights Reserved. All trademarks shown are owned by Hendrickson USA, L.L.C., or one of the affiliates, in one or more countries. Information contained in this literature was accurate at the time of publication. Product changes may have been made after the copyright date that are not reflected.

Printed in United States of America