

# **H** PARTS LIST

## ROADMAAX™ 35K Rear Air Suspension for Pierce Fire and Rescue Vehicles

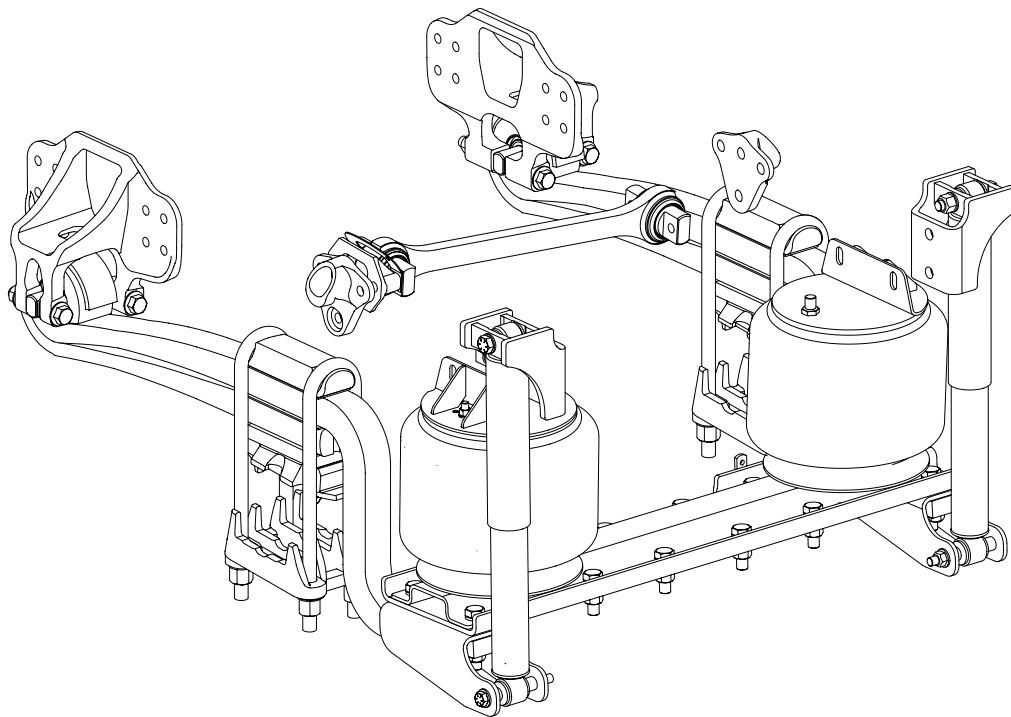
LIT NO: SP-195

DATE: January 2020

REVISION: A

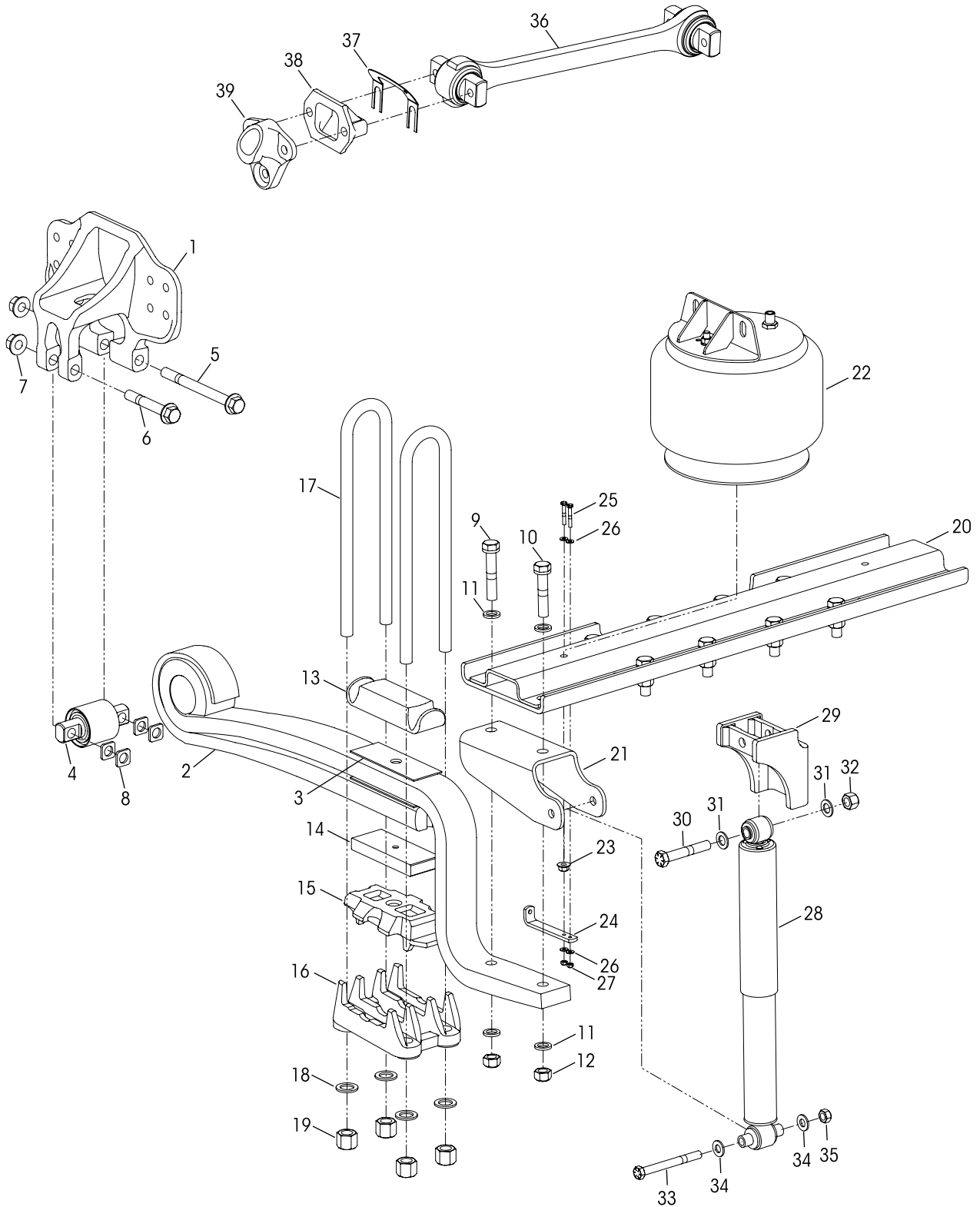
### CONTENTS

DESCRIPTION	PAGE
Parts List . . . . .	2





10½" Ride Height





KEY NO.	PART NO.	DESCRIPTION	VEHICLE QTY.	KEY NO.	PART NO.	DESCRIPTION	VEHICLE QTY.
1	78101-204	Frame Hanger	2	21	91046-200	Lower Shock Bracket	2
2	82434-000	Main Support Member 2-Leaf Assembly 10½" Ride Height, Includes Key No. 3	2	22	80893-104	Air Spring Assembly, Includes Upper Bracket and Fasteners	2
3		*Galvanized Steel Liner	2		49177-054	<b>Air Spring Fastener Service Kit, Axle Set</b> Includes Key Nos. 23	
	34013-318	<b>Spring Eye Bushing Service Kit, One Side</b> Includes Key Nos. 4-8 and 40		23		*M12 x 1.75 Flange Locknut	2
4		*Spring Eye Bar Pin Bushing	2	24	65090-000	HCV Linkage Lower Bracket	2
5	67749-220	M20 x 1.5-6G x 220 mm Flange Bolt	2		58525-060	<b>HCV Lower Bracket Service Kit, One Side,</b> Includes Key Nos. 25-27	
6	67749-130	M20 x 1.5-6G x 130 mm Flange Bolt	2	25		*¼"-20 UNC-2A x 1¾" Bolt	4
7	67745-000	M20 x 1.5 CL10 Flange Nut	4	26		*¼" Hardened Washer	8
8	78326-000	Bar Pin Shim - ⅜" Gray	8	27		*¼"-20 UNC Locknut	4
	78326-020	<b>Bar Pin Shim Service Kit,</b> Includes Twenty of ⅜" Yellow Shims (not shown)		28	70807-007L	Shock Absorber	2
9	58258-110	M20 x 2.5-6G x 110 mm Hex Bolt	2	29	91136-000	Upper Shock Mount Bracket, Outboard	2
10	58258-100	M20 x 2.5-6G x 100 mm Hex Bolt	2		34013-326	<b>Single Shock Absorber Fastener Service Kit,</b> Includes Key Nos. 30-35	
11	58246-007	M20 Hardened Washer	8	30	58917-022	¾"-10 UNC x 4½" Upper Shock Hex Bolt	2
12	58259-001	M20 x 2.5-6H Locknut	4	31	22962-001	¾" Flat Washer	4
13	80456-000	Top Pad	2	32	49842-000	¾"-10 UNC Locknut	2
14	48531-015	Spring Seat Spacer - 1" Thick	2	33	32043-017	⅝"-11 UNC x 6" Lower Shock Hex Bolt	2
15		Spring Seat - 4° Pinion Angle		34	22962-004	⅝" Flat Washer	4
	91175-141P	Left Hand	1	35	47764-000	⅝"-11 UNC Locknut	2
	91175-040P	Right Hand	1	36	7527-2424-615	TRAAX ROD™ Severe-duty Torque Rod, 7° Bushing Angle	1
16		Bottom Cap - 4° Pinion Angle		37	49689-000L	Torque Rod Shim 1.52 mm Thick	As Req.
	80846-140	Left Hand	1	38	22186-000	Torque Rod Frame Bracket	1
	80847-140	Right Hand	1	39	80777-000	Axle Stop	2
17	58185-475	M24 x 2-6G x 475 mm U-bolt	4	40	60937-000	Loctite (Red) Compound Tube (Not Shown)	1
18	22962-008	1" Hardened Washer	8				
19	70653-001	M24 x 2 Torque Hex Nut	8				
20	80891-003	Cross Channel Assembly, 34" Frame Width	1				

NOTES: \* Item included in assembly or service kit only, part not sold separately.

This is a general parts list to provide directional information. Components may vary by model. Questions in regards to parts, contact Hendrickson Truck Parts at 1.866.755.5968 (Toll-free U.S. and Canada), 630.910.2800 (Outside U.S. and Canada) or e-mail: [truckparts@hendrickson-intl.com](mailto:truckparts@hendrickson-intl.com).

*Call Hendrickson at **1.866.755.5968** (toll-free) or **1.630.910.2800** for additional information.*



[www.hendrickson-intl.com](http://www.hendrickson-intl.com)

SP-195 Rev A 01-20

**TRUCK COMMERCIAL VEHICLE SYSTEMS**  
800 South Frontage Road  
Woodridge, IL 60517-4904 USA  
1.866.755.5968 (Toll-free U.S. and Canada)  
1.630.910.2800 (Outside U.S. and Canada)  
Fax 1.630.910.2899

© 2019 Hendrickson USA, L.L.C. All Rights Reserved. All trademarks shown are owned by Hendrickson USA, L.L.C., or one of the affiliates, in one or more countries.  
Information contained in this literature was accurate at the time of publication. Product changes may have been made after the copyright date that are not reflected.

Printed in United States of America