

# **H PARTS LIST**

## **ROADMAAX® Rear Air Suspension for Sutphen Fire and Rescue Vehicles**

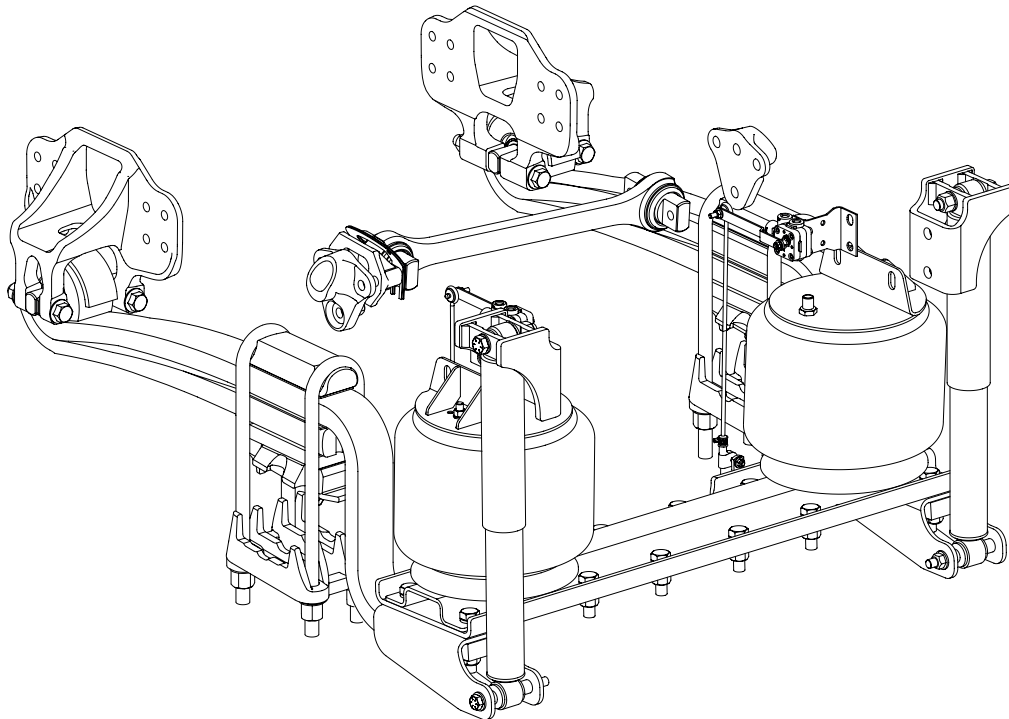
LIT NO: SP-197

DATE: August 2020

REVISION: A

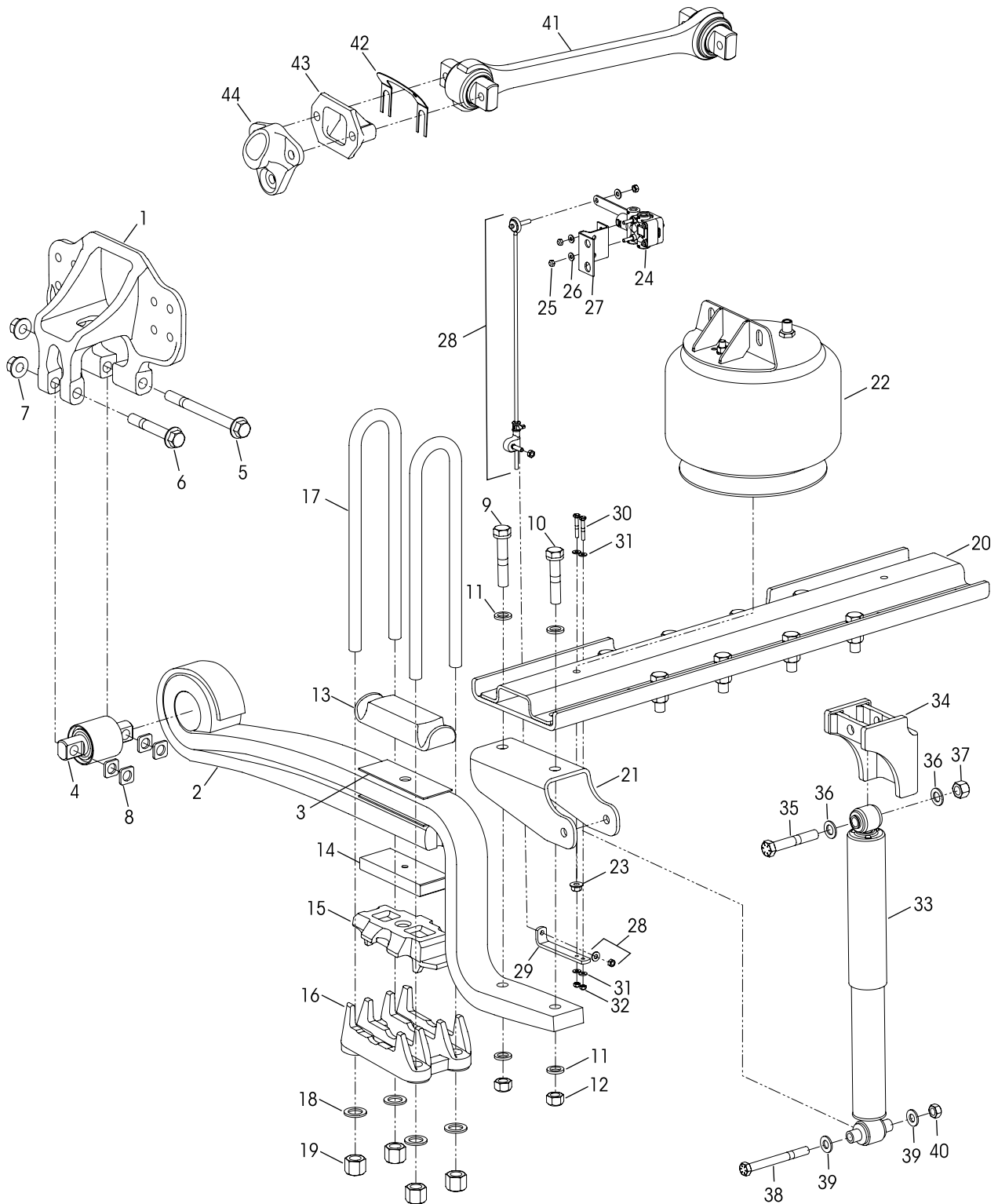
### **CONTENTS**

<b>DESCRIPTION</b>	<b>PAGE</b>
Parts List . . . . .	2



10½" Ride Height

35K Capacity





KEY NO.	PART NO.	DESCRIPTION	VEHICLE QTY.	KEY NO.	PART NO.	DESCRIPTION	VEHICLE QTY.
1	78101-204	Frame Hanger	2	23		*M12 x 1.75 Flange Locknut	2
2	82434-000	Main Support Member 2-Leaf Assembly, Includes Key No. 3-4	2		91334-001	Height Control Valve and Linkage Assembly Left Hand, Includes Key Nos. 24-27, 28a	1
3		*Galvanized Steel Liner	2		91334-002	Right Hand , Includes Key Nos. 24-27, 28b	1
	34013-318	<b>Spring Eye Bushing Service Kit, One Side</b> Includes Key Nos. 4-8 and 45	2	24	60501-000L	Height Control Valve, Includes Key Nos. 25-26	2
4		*Spring Eye Bar Pin Bushing	2	25		*1/4"-20 UNC Hex Nut	4
5	67749-220	M20 x 1.5-6G x 220 mm Flange Bolt	2	26		*1/4" Flat Washer	4
6	67749-130	M20 x 1.5-6G x 130 mm Flange Bolt	2	27	57975-001	HCV Upper Mounting Bracket	2
7	67745-000	M20 x 1.5 CL10 Flange Nut	4	28		HCV Linkage Assembly	2
8	78326-000	Bar Pin Shim - 3/16" Gray	8	a	58994-063	18 3/8" Length	
	78326-020	<b>Bar Pin Shim Service Kit, Includes Twenty of</b> 3/32" Yellow Shims (not shown)	8	b	58994-064	18 3/8" Length	
9	58258-110	M20 x 2.5-6G x 110 mm Hex Bolt	2	29	65090-000	HCV Linkage Lower Bracket	2
10	58258-100	M20 x 2.5-6G x 100 mm Hex Bolt	2		58525-060	<b>HCV Lower Bracket Service Kit, One Side</b> Includes Key Nos. 30-32	
11	58246-007	M20 Hardened Washer	8	30		*1/4"-20 UNC-2A x 1 3/4" Bolt	4
12	58259-001	M20 x 2.5-6H Locknut	4	31		*1/4" Hardened Washer	8
13	80456-000	Top Pad	2	32		*1/4"-20 UNC Locknut	4
14	48531-015	Spring Seat Spacer - 1" Thick	2	33	70807-007L	Shock Absorber	2
15		Spring Seat - 4° Pinion Angle		34	91136-000	Upper Shock Mount Bracket, Outboard	2
	91175-141P	Left Hand	1		34013-326	<b>Single Shock Absorber Fastener Service Kit,</b> Includes Key Nos. 35-40	
	91175-040P	Right Hand	1	35	58917-022	3/4"-10 UNC x 4 1/2" Upper Shock Hex Bolt	2
16		Bottom Cap - 4° Pinion Angle		36	22962-001	3/4" Flat Washer	4
	80846-140	Left Hand	1	37	49842-000	3/4"-10 UNC Locknut	2
	80847-140	Right Hand	1	38	32043-017	5/8"-11 UNC x 6" Lower Shock Hex Bolt	2
17	93241-004	M24 x 2-6G x 475 mm U-bolt	4	39	22962-004	5/8" Flat Washer	4
18	58246-017	M24 Hardened Washer	8	40	47764-000	5/8"-11 UNC Locknut	2
19	70653-004	M24 x 2 Torque Hex Nut	8	41	7530-2424-615	Transverse TRAAX ROD™ Severe-duty, 7° Bar Pin Bushing Angle	1
20	80891-003	Cross Channel Assembly, 34" Frame Width	1	42	49689-000L	Torque Rod Shim 1.52 mm	As Req.
21	91046-200	Lower Shock Bracket	2	43	22186-000	Torque Rod Frame Bracket	1
22	80893-104	Air Spring Assembly, Includes Upper Bracket and Fasteners	2	44	80777-000	Axle Stop	2
	49177-054	<b>Air Spring Fastener Service Kit, One Side</b> Includes Key Nos. 23	1	45	60937-000	Loctite (Red) Compound Tube (Not Shown)	1

**NOTES:** \* Item included in assembly or service kit only, part not sold separately.

This is a general parts list to provide directional information. Components may vary by model. Questions in regards to parts, contact Hendrickson Truck Parts at 1.866.755.5968 (Toll-free U.S. and Canada), 630.910.2800 (Outside U.S. and Canada) or e-mail: truckparts@hendrickson-intl.com.

*Call Hendrickson at **1.866.755.5968** (toll-free) or **1.630.910.2800** for additional information.*



[www.hendrickson-intl.com](http://www.hendrickson-intl.com)

SP-197 Rev A 08-20

**TRUCK COMMERCIAL VEHICLE SYSTEMS**

800 South Frontage Road  
Woodridge, IL 60517-4904 USA  
1.866.755.5968 (Toll-free U.S. and Canada)  
1.630.910.2800 (Outside U.S. and Canada)  
Fax 1.630.910.2899

© 2020 Hendrickson USA, L.L.C. All Rights Reserved. All trademarks shown are owned by Hendrickson USA, L.L.C., or one of the affiliates, in one or more countries.  
Information contained in this literature was accurate at the time of publication. Product changes may have been made after the copyright date that are not reflected.

Printed in United States of America