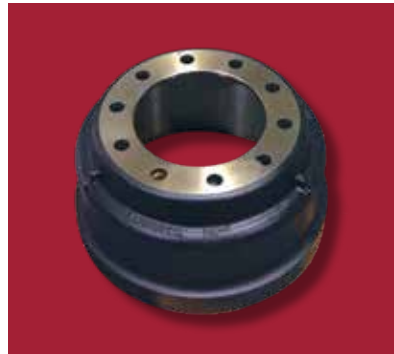
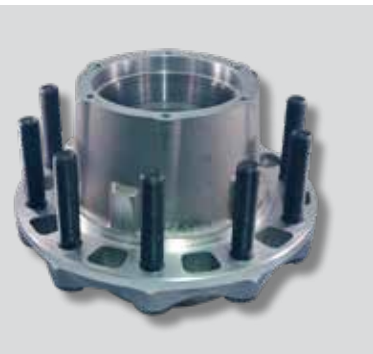


RTR[®] READY-TO-ROLL[®]

Trailer Suspension and Axle Systems



H HENDRICKSON
The World Rides On Us[®]

CONTENTS

DRUM BRAKE COMPONENTS

Brake Adjusters	2
Brake Chambers	4
Brake Drums	8

AIR DISC BRAKE COMPONENTS

Brake Pads	9
Caliper Assembly	10
Caliper Attachment Hardware Kits	10
Caliper Components	11
Brake Chambers	12

AXLE COMPONENTS

ABS Sensor	15
Dust Shield	16
Axle Nut Kits	17

BEARINGS

Bearings	18
--------------------	----

SEALS

Seals	19
-----------------	----

HUBS

Hubs – HN® Spindle (drum only)	20
Hubs – HP™ Spindle (drum only)	21
Hub and Rotor Assemblies – HN Spindle (disc)	22
Hub and Rotor Assemblies – HP Spindle (disc)	23
Hubs – (air disc brakes only)	24

ROTOR AND ATTACHMENT HARDWARE

Rotor & Attachment Hardware Kits - WABCO, Bendix & Haldex	25
Rotor & Attachment Hardware Kits - Hendrickson MAXX22T™	26

HUBCAPS

Hendrickson Original Equipment Replacements	27
Dual Dynamics Original Equipment Replacements	28
STEMCO Bolt-On Original Equipment Replacements	28
STEMCO Sentinel Original Equipment Replacements	28

INDIVIDUAL HUBCAP COMPONENTS

Hubcap Plug	29
-----------------------	----

HXL REBUILD KITS

HXL Rebuild Kits	30
----------------------------	----

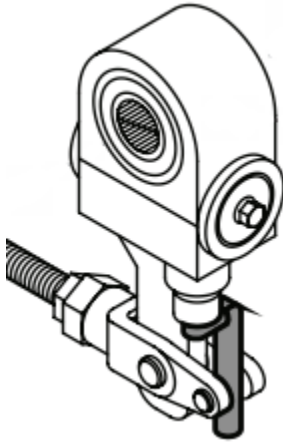
MAINTENANCE TOOLS

Maintenance Tools	31
-----------------------------	----

IDENTIFICATION GUIDE

How to Identify an Air Disc Brake System	32
--	----

BRAKE ADJUSTERS



NOTE: Look for the suppliers' embossed logo or etched part number on the brake adjuster to help determine the correct Hendrickson part number.

AUTOMATIC BRAKE ADJUSTERS - INTRAAX®, VANTRAAX®, ULTRAA-K® & INTRAAX® SP (Drum Brakes Only)

BRAND	LENGTH	DESCRIPTION	PART NUMBER	CROSS REFERENCE NUMBER	QTY. PER AXLE
Bendix	5.5" std.	10 spline; includes slack only	C-29673	K043123	2
		28 spline; includes slack only	S-29628	K031529	2
	6.0"	10 spline; includes slack only	C-29674	K043085	2
		28 spline; includes slack only	S-29622-2	K047390	2
Gunite	5.5" std.	10 spline; includes unhanded slack, inner sleeve and outer nut	S-15191-1	SA-10602	2
		28 spline; includes unhanded slack, inner sleeve and outer nut	S-21398-1	SA-10802	2
	6.0"	10 spline; includes unhanded slack, inner sleeve and outer nut	S-15191-2	SA-10603	2
		28 spline; includes unhanded slack, inner sleeve and outer nut	S-21398-2	SA-10803	2
Haldex "SABA"	5.5" std.	10 spline; includes unhanded slack, anchor-stud, nut and clevis assembly	S-15192-3	409-20000	2
		28 spline; includes unhanded slack, anchor-stud, nut and clevis assembly	S-21399-3	409-20002	2
	6.0"	10 spline; includes unhanded slack, anchor-stud, nut and clevis assembly	S-15192-4	409-20004	2
		28 spline; includes unhanded slack, anchor-stud, nut and clevis assembly	S-21399-4	409-20006	2
Hendrickson Standard	5.5" std.	10 spline; includes unhanded slack, anchor-stud, nut and clevis assembly	S-37477-1	WBA07140S	2
		28 spline; includes unhanded slack, anchor-stud, nut and clevis assembly	S-37478-1*	-	2
	6.0"	10 spline; includes unhanded slack, anchor-stud, nut and clevis assembly	S-37477-2	WBA07125S	2
		28 spline; includes unhanded slack, anchor-stud, nut and clevis assembly	S-37478-2	WBA07115S	2
WABCO	5.5" std.	10 spline; includes unhanded slack, anchor-stud, nut and clevis assembly	S-38618-1	4332251020	2
	5.5" std.	28 spline; includes unhanded slack, anchor-stud, nut and clevis assembly	S-38619-1	4332250990	2

NOTE: Cross reference numbers include slack only.

* Private label through TSE.



AUTOMATIC BRAKE ADJUSTERS - TRLAXLE® & CONNEX® (Drum Brakes Only)

BRAND	LENGTH	BRAKE SIZE	DESCRIPTION	PART NUMBER	CROSS REFERENCE NUMBER	QTY. PER AXLE
Bendix	5.5"	15.00" × 8.63" 16.50" × 7.00"	10 spline; includes slack only	C-29673	K043123	2
			28 spline; includes slack only	S-29628	K031529	2
	6.0"	16.50" × 8.63"	10 spline; includes slack only	C-29674	K043085	2
			28 spline; includes slack only	S-29622-2	K047390	2
Gunitite	5.5"	15.00" × 8.63" 16.50" × 7.00"	10 spline; includes unhandled slack, inner sleeve and outer nut	S-15191-1	SA-10602	2
			28 spline; includes unhandled slack, inner sleeve and outer nut	S-21398-1	SA-10802	2
	6.0"	16.50" × 8.63"	10 spline; includes unhandled slack, inner sleeve and outer nut	S-15191-2	SA-10603	2
			28 spline; includes unhandled slack, inner sleeve and outer nut	S-21398-2	SA-10803	2
Haldex "SABA"	5.5" (.5")	15.00" × 8.63" 16.50" × 7.00" 16.50" × 8.63"	10 spline; includes unhandled slack, anchor-stud, nut and clevis assembly	S-15192-3	409-20000	2
			28 spline; includes unhandled slack, anchor-stud, nut and clevis assembly	S-21399-3	409-20002	2
	6.0" (.5")	15.00" × 8.63" 16.50" × 7.00" 16.50" × 8.63"	10 spline; includes unhandled slack, anchor-stud, nut and clevis assembly	S-15192-4	409-20004	2
			28 spline; includes unhandled slack, anchor-stud, nut and clevis assembly	S-21399-4	409-20006	2
	5.5" Curved	12.25" × 7.50"	10 spline; includes slack only	D-37285	409-20008	2
			28 spline; includes slack only	D-37284	409-20010	2
6.0" Curved	12.25" × 7.50"	10 spline; includes slack only	D-30199	409-20012	2	
		28 spline; includes slack only	D-30201	409-20014	2	
Hendrickson Standard	5.5" std.	15.00" × 8.63" 16.50" × 7.00" 16.50" × 8.63"	10 spline; includes unhandled slack, anchor-stud, nut and clevis assembly	S-37477-1	WBA07140S	2
			28 spline; includes unhandled slack, anchor-stud, nut and clevis assembly	S-37478-1*	-	2
	6.0"	16.50" × 8.63"	10 spline; includes unhandled slack, anchor-stud, nut and clevis assembly	S-37477-2	WBA07125S	2
			28 spline; includes unhandled slack, anchor-stud, nut and clevis assembly	S-37478-2	WBA07115S	2

* Private label through TSE.

AUTOMATIC BRAKE ADJUSTERS - CONNEX® ST (Drum Brakes Only)

BRAND	LENGTH	DESCRIPTION	PART NUMBER	CROSS REFERENCE NUMBER	QTY. PER AXLE
Bendix	5.5"	28 spline; includes slack only	S-36183	K046808	2
	6.0"		S-36184	K047204	2

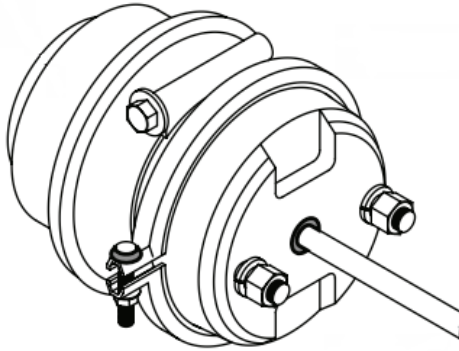
NOTE: Cross reference numbers include slack only.

MANUAL BRAKE ADJUSTERS - TRLAXLE® (Drum Brakes Only)

BRAND	LENGTH	BRAKE SIZE	DESCRIPTION	PART NUMBER	CROSS REFERENCE NUMBER	QTY. PER AXLE
Haldex ¹	6.0"	16.50" × 5.00"	10 spline; includes slack only	S-32873-1	KN47001	2
		16.50" × 7.00" 16.50" × 8.63"	28 spline; includes slack only	S-32873-2	CS44071	2

1. Haldex 6.0" is a multi-holed slack adjuster with capacity for 5.0", 6.0" and 7.0" lengths.

BRAKE CHAMBERS



NOTE: Look for the suppliers' embossed logo or etched part number on the brake chamber to help determine the correct Hendrickson part number.

BRAKE CHAMBERS - SUSPENSION SYSTEMS (Drum Brakes Only)

BRAND	SIZE	STROKE	SUSPENSION MODELS	PART NUMBER	CROSS REFERENCE NUMBER	QTY. PER AXLE
Bendix	24/24	2.5"	AAT AANT HKAT HKAT UTKNT AAZNT (9.75" Push Rod)	S-26844-5	K026551	2
	24/30	2.5"		S-22792-5	K026550	2
	30/30	2.5"		S-20837-5	K020863	2
	30/30	3.0"		S-24247-5	K020868	2
	30/36	2.5"		S-24828-5	K020810	2
Haldex	24/24	2.5"		S-26844-2	1392424005	2
	24/30	2.5"		S-22792-2	1392430013	2
	30	2.5"		S-32871-2	129300255	2
	30/30	2.5"		S-20837-2	1393030543	2
	30/30	3.0"		S-24247-2	1373030332	2
	30/30 Ext. Life	2.5"		S-39868	1713030341	2
Hendrickson Standard	24/30	2.5"		S-22792-3	2430TL2-3466	2
	30/30*	2.5"		S-39936-1	-	2
	30/30	3.0"		S-32197	3030TL3-3568	2
TSE	30/30 Ext. Life	2.5"		S-38866-2	3030TL2ULP-91001	2
	30/30 Ext. Life	3.0"	S-38867-4	3030TL3ULP-91003	2	
	30 Ext. Life	2.5"	S-40385-1	30SCL2ULP-91047	2	

NOTE: Hendrickson part numbers and cross reference numbers include brake chamber only.

*Private label through TSE



BRAKE CHAMBERS - SUSPENSION SYSTEMS (Drum Brakes Only) – *continued*

BRAND	SIZE	STROKE	SUSPENSION MODELS	PART NUMBER	CROSS REFERENCE NUMBER	QTY. PER AXLE
Bendix	24/24	2.5"	AAL AANL AANLS AAEDL AAEDT HKANL HKAL HKARL AAZL (5.63" Push Rod)	S-26845-5	K028979	2
	24/30	2.5"		S-24163-5	K028978	2
	30/30	2.5"		S-24164-5	K020862	2
	30/30	3.0"		S-24769-5	K020867	2
	30/36	2.5"		S-24829-5	K020809	2
Haldex	24/24	2.5"		S-26845-2	1392424004	2
	24/30	2.5"		S-24163-2	1392430031	2
	30	2.5"		S-32872-2	129300256	2
	30/30	2.5"		S-24164-2	1393030505	2
	30/30	3.0"		S-24769-2	1373030331	2
	30/30 Ext. Life	2.5"		S-39869	1713030342	2
Hendrickson Standard	24/30	2.5"		S-24163-3	2430TL2-3465	2
	30/30*	2.5"		S-39936-2	-	2
	30/30	3.0"		S-32027	3030TL3-3567	2
TSE	30/30 Ext. Life	2.5"		S-38866-1	3030TL2ULP-91002	2
	30/30 Ext. Life	3.0"		S-38867-3	3030TL3ULP-91004	2
	30 Ext. Life	2.5"		S-40385-2	30SCL2ULP-91048	2

*Private label through TSE

BRAKE CHAMBERS - CONNEX® ST (Drum Brakes Only)

BRAND	SIZE	STROKE	SUSPENSION MODELS	PART NUMBER	CROSS REFERENCE NUMBER	QTY. PER AXLE
Hendrickson Standard	30	2.5"	CXSL	S-35974	30SCLW2-4091	2
	30/30	2.5"		S-35976	3030TLW2-4094	2
	30	3.0"		S-35757	30SCLW3-4072	2
	30/30	3.0"		S-35977	3030TLW3-4095	2
TSE	30 Ext. Life	2.5"		S-38862	30SCLW2ULP-91009	2
	30 Ext. Life	3.0"		S-38863	30SCLW3ULP-91010	2
	30/30 Ext. Life	2.5"		S-38864	3030TLW2ULP-91007	2
	30/30 Ext. Life	3.0"		S-38865	3030TLW3ULP-91008	2



BRAKE CHAMBERS - CONNEX® & TRLAXLE® (Drum Brakes Only)

BRAND	SIZE	STROKE	BRAKE SIZE	BRAKE CHAMBER BRACKET	PART NUMBER	CROSS REFERENCE NUMBER	QTY. PER AXLE
Haldex	24	2.5"	12.25" x 7.50"	High Rise	S-30681-5	129240134	2
				Standard	S-30681-6	129240135	2
			16.50" x 5.00" 16.50" x 7.00" 16.50" x 8.63"	Standard	S-30681-2	129240133	2
	30	2.5"	12.25" x 7.50"	High Rise	S-30679-4	129300115	2
				Standard	S-30679-2	129300236	2
			16.50" x 5.00" 16.50" x 7.00" 16.50" x 8.63"	Standard	S-30679-1	129300247	2
	30	3.0"	12.25" x 7.50"	High Rise	S-31975-2	127300113	2
				Standard	S-31975-1	127300112	2
	24/24	2.5"	12.25" x 7.50" 16.50" x 5.00" 16.50" x 7.00" 16.50" x 8.63"	Standard	C-30680	1392424008	2
					S-30680-1	1392424017	2
	24/30	2.5"	12.25" x 7.50"	High Rise	S-32466-2	1392430064	2
				Standard	S-32466-1	1392430063	2
	24/30 (16mm)	3.0"	16.50" x 5.00" 16.50" x 7.00" 16.50" x 8.63"	Standard	S-32011-3	1372430029	2
	30/30	2.5"	12.25" x 7.50"	Standard	S-30678-3	1393030518	2
				Standard	S-30678-7	1393030547	2
			16.50" x 7.00" 16.50" x 8.63"	High Rise	S-30678-5	1393030519	2
			16.50" x 5.00" 16.50" x 7.00" 16.50" x 8.63"	Standard	S-30678-1	1393030512	2
	30/30 Ext. Life	2.5"	12.25" x 7.50" 16.50" x 7.00" 16.50" x 8.63"	Standard	S-30684-3	1493030144	2
				High Rise	S-30684-5	1493030146	2
			16.50" x 5.00" 16.50" x 7.00" 16.50" x 8.63"	Standard	S-39870-1	1713030343	2
30/30 (16mm)	3.0"	16.50" x 5.00" 16.50" x 7.00" 16.50" x 8.63"	Standard	S-32012-3	1373030328	2	
30/30	3.0"	12.25" x 7.50"	High Rise	S-30683-4	1373030361	2	
			Standard	S-30683-3	1373030360	2	
		16.50" x 5.00" 16.50" x 7.00" 16.50" x 8.63"	Standard	S-30683-1	1373030333	2	

NOTE: Hendrickson part numbers and cross reference numbers include brake chamber only.

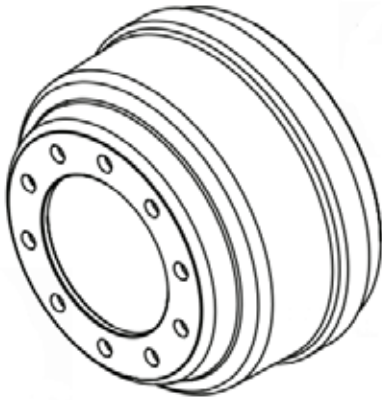


BRAKE CHAMBERS - CONNEX® & TRLAXLE® (Drum Brakes Only) – *continued*

BRAND	SIZE	STROKE	BRAKE SIZE	BRAKE CHAMBER BRACKET	PART NUMBER	CROSS REFERENCE NUMBER	QTY. PER AXLE
Hendrickson Standard	30*	2.5"	12.25" × 7.50"	Standard	S-31911-2	30SCL2-3463	2
			16.50" × 5.00" 16.50" × 7.00" 16.50" × 8.63"		S-31911-1	30SCL2-3464	2
			3.0"		12.25" × 7.50"	S-32210-1	30SCL3-3563
		15.00" × 8.63"		S-32210-2	30SCL3-3564	2	
		16.50" × 5.00" 16.50" × 7.00" 16.50" × 8.63"		S-32210-3	30SCL3-3565	2	
		30/30	2.5"	12.25" × 7.50"	Standard	S-31912-2	3030TL2-3469
	16.50" × 5.00" 16.50" × 7.00" 16.50" × 8.63"			S-31912-1		3030TL2-3470	2
	3.0"		12.25" × 7.50"	Standard	S-32211	3030TL3-3566	2
	TSE	30/30 Ext. Life	2.5"	16.50" × 7.50"	Standard	S-38866-3	3030TL2ULP-91000
3.0"			S-38867-2			3030TL3ULP-91005	2

NOTE: Hendrickson part numbers and cross reference numbers include brake chamber only.

BRAKE DRUMS



STANDARD DUTY BRAKE DRUMS (Drum Brakes Only)

BRAND	SIZE	BRAKE SIZE	DESCRIPTION	PART NUMBER	CROSS REFERENCE NUMBER	QTY. PER AXLE
WEBB	8 Stud × 275mm BCD	16.5" × 7"	Cast Drums	B-22574	66875B	2
	10 Stud × 11.25" BCD			C-25161	66864B	2
	10 Stud × 11.25" BCD	16.5" × 8.625"		C-23603	66855B	2
		15" × 8.625"		C-26391	61988Y	2
KIC	8 Stud × 275mm BCD	12.25" × 7.5"	Cast Drums	D-30113	54244-01	2
	10 Stud × 11.25" BCD	16.5" × 7"		D-35948	60000-018	2
	10 Stud × 335mm BCD	16.5" × 7"		C-31699	54250-018	2
		16.5" × 8.625"		S-30652	60002-018	2
	10 Stud × 11.25" BCD	16.5" × 7"	CentriFuse®	S-38178	80002-018	2
		16.5" × 8.625"	S-38179	80008-018	2	
Motor Wheel™	8 Stud × 275mm BCD	16.5" × 7"	CentriFuse	B-22359	88797B	2
		15" × 8.625"		C-27826	91438	2
	10 Stud × 11.25" BCD	16.5" × 7"		B-21620	89996B	2
		16.5" × 8.625"		B-29099	600026	2
		15" × 8.625"		C-26390	91482	2
Walther	10 Stud × 11.25" BCD	16.5" × 7"	Cast Drums	S-36713	C13-00043	2

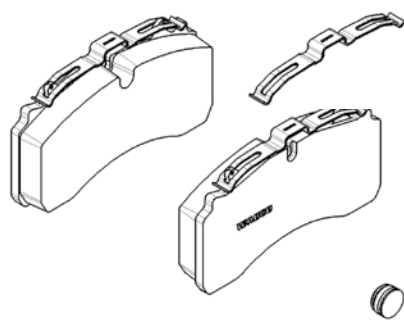
HEAVY DUTY BRAKE DRUMS (Drum Brakes Only)

BRAND	SIZE	BRAKE SIZE	DESCRIPTION	PART NUMBER	CROSS REFERENCE NUMBER	QTY. PER AXLE
WEBB	8 Stud × 275mm BCD	12.25" × 7.5"	Cast Drums	S-30106	63680F	2
	10 Stud × 11.25" BCD	16.5" × 7"		B-21619	66884B	2
	10 Stud × 335mm BCD			C-26440	66250B	2

NOTE: Hendrickson part numbers and cross reference numbers include drums only.



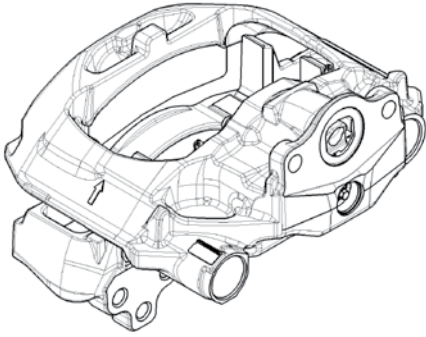
BRAKE PAD



BRAKE PAD KITS (Air Disc Brakes Only)

ADB BRAND	DESCRIPTION	PART NUMBER	CROSS REFERENCE NUMBER	QTY. PER AXLE
Hendrickson MAXX22T™	Includes 4 pads, 2 springs, 2 holder brackets, 2 screws and 2 plugs	S-35303-1	6402229272	1
WABCO PAN22	Includes 4 pads, 6 springs, 2 bolts, 2 holder bars and 2 plugs	S-32676-1	6402259222	1
WABCO PAN 17	Includes 4 pads, 6 holder springs, 2 holder brackets, 2 screws and 2 plugs	S-36837-1	12999806	1
WABCO PAN19	Includes 4 pads, 6 holder springs, 2 holder brackets, 2 screws and 2 plugs	S-36838-1	6401959332	1
Bendix ADB22X-LT	Includes 4 pads, 4 pad holder springs, 2 pad retainers, 2 pad retainer pins, 2 washers, 2 spring clips, 2 shear adapters and 2 adjuster caps	S-29152-2	K070796	1
Haldex DB22LT	Includes 2 pads, 1 locking tab, 2 pad springs, 1 plug and 1 bolt	S-30560-8	790-22040	2
Haldex DB22LD	Includes 2 pads, 1 locking tab, 2 pad springs, 1 bolt and 1 plug	S-30674	790-22008	2

CALIPER ASSEMBLY



CALIPER ASSEMBLY (Air Disc Brakes Only)

ADB BRAND	DESCRIPTION	PART NUMBER	CROSS REFERENCE NUMBER	QTY. PER AXLE
Hendrickson MAXX22T™	Includes 1 caliper assembly – LH and mounting hardware	S-35973-L	6402220070	1
	Includes 1 caliper assembly – RH and mounting hardware	S-35973-R	6402220080	1
WABCO PAN22	Includes 1 caliper assembly – LH and mounting hardware	S-33648-2	6402250800	1
	Includes 1 caliper assembly – RH and mounting hardware	S-33648-3	6402250810	1
WABCO PAN17	Includes 1 caliper assembly – LH and mounting hardware	S-39094-L	40175072	1
	Includes 1 caliper assembly – RH and mounting hardware	S-39094-R	40175073	1
WABCO PAN19	Includes 1 caliper assembly – LH and mounting hardware	S-39093-L	6401951010	1
	Includes 1 caliper assembly – RH and mounting hardware	S-39093-R	6401951020	1
Bendix ADB22X-LT	Includes 1 caliper assembly – LH and mounting hardware	S-33647-2	802985	1
	Includes 1 caliper assembly – RH and mounting hardware	S-33647-3	802984	1
Haldex DB22LT	Includes 1 caliper assembly and mounting hardware	S-35097-1	790-94025	2
	Includes 1 caliper assembly	S-30560-10	790-94025	2

NOTE: Cross reference numbers include caliper only.

CALIPER ATTACHMENT HARDWARE KITS (Air Disc Brakes Only)

ADB BRAND	DESCRIPTION	PART NUMBER	QTY. PER AXLE
Hendrickson MAXX22T™	Includes 12 bolts and 12 washers	S-33649-5	1
	Includes 6 bolts and 6 washers	S-33649-6	2
WABCO PAN22 WABCO PAN19 Bendix ADB22X-LT	Includes 12 bolts and 12 washers	S-33649-1	1
	Includes 6 bolts and 6 washers	S-33649-2	2
WABCO PAN17	Includes 12 bolts and 12 washers	S-33649-7	1
	Includes 6 bolts and 6 washers	S-33649-8	2

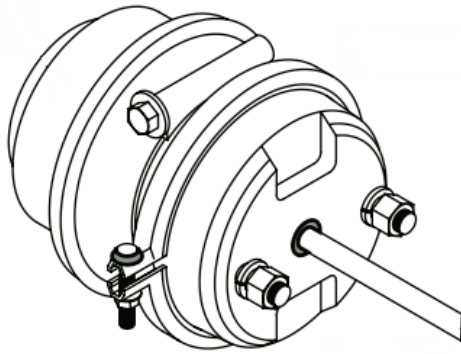


CALIPER COMPONENTS (Air Disc Brakes Only)

ADB BRAND	DESCRIPTION	CONTAINS	PART NUMBER	CROSS REFERENCE NUMBER	QTY. PER AXLE
Hendrickson MAXX22T™ WABCO PAN22	ADB Pad Retaining Spring	3 pad retaining springs	S-40670/2	N/A	2
Hendrickson MAXX22T	Guide Bolt Kit	Includes 1 plug, 2 inner sealing, 2 outer sealing, 2 sliding bolts, 2 metal caps, 2 screws and 3 guide pin bushings	S-35303-4	6402229282	2
	Pressure Plate Kit	Includes 1 pressure plate	S-35303-9	6402229262	1
	WABCO Tone Ring Kit	Includes 1 tone ring and 1 locking ring	S-39042	6629059202	2
WABCO PAN22 WABCO PAN19	Guide Bolt Kit	Includes 1 plug, 1 boot, 2 sealings, 3 bushings, 2 bolts, 2 screws and 2 covers	S-32676-4	6402229212	2
Hendrickson MAXX22T WABCO PAN22 WABCO PAN17 WABCO PAN 19	Replacement Gasket Kit	Includes 1 plug, 1 sealing and 1 boot	S-32676-3	6401759202	1
WABCO PAN17	Guide Bolt Kit	Includes 1 plug, 1 bolt, 2 sealings, 3 bushings, 2 bolts, 2 screws and 2 covers	S-36837-4	12999699VT	1
	Pressure Plate Kit	Includes 1 pressure plate	S-36837-9	6401759402	1
WABCO PAN19	Guide Bolt Kit	Includes 1 plug, 1 bolt, 2 sealings, 3 bushings, 2 bolts, 2 screws and 2 covers	S-32676-4	6402259212	1
	Pressure Plate Kit	Includes 1 pressure plate	S-36838-9	6401959362	1
Bendix ADB22X-LT	Splint Kit	Includes 25 spring clips	S-29152-4	803151	Bulk
	Shear Adapter	Includes 10 shear adapters	S-29152-5	802455	Bulk
	Tappet / Boot Kit	Includes 2 tappets, 1 boot assembly, 2 tappet bushings and 2 inner seals	S-29152-6	K092079	2
	Adjuster Cover	Non-Wear Sensing; Includes 10 adjuster caps	S-29152-7	802643	Bulk
	Guide Pin, Seal and Boot Kit	Includes 2 boot retaining rings, 2 inner boots, 1 brass bushing, 1 guide pin, 1 caliper bolt, 1 cap, 1 guide sleeve, 1 guide pin and 1 cover	S-29152-9	803114	2
	Guide Pin Grease	8g White Grease	S-29152-12	LL14525	2
		500g White Grease	S-29152-13	K021964	Bulk
Caging Bolt Plug	Includes 1 plug	S-29152-19	K034202	2	
Haldex DB22LT	Pad Retainer Kit	Includes 1 locking tab, 1 pad retainer, 2 pad springs and 1 bolt	S-30560-12	790-94897	2
	Adjustment Shaft Repair Kit	Includes 1 adjustment shaft, 1 plug and 1 radial seal	S-30560-13	790-94892	2

NOTE: See page 33 for drawings of the caliper components (air disc brake only).

BRAKE CHAMBER



BRAKE CHAMBERS (Air Disc Brakes Only)

ADB BRAND	CHAMBER BRAND	CHAMBER SIZE	SUSPENSION MODEL	DESCRIPTION	PART NUMBER	CROSS REFERENCE NUMBER	QTY. PER AXLE
Hendrickson MAXX22T™	TSE	14	AAT	Left Handed	S-40396-L	14HSCLD2-4492	1
			AANT	Right Handed	S-40396-R	14HSCLD2-4491	1
			AAL AAEDL AAEDT AANLS	Unhanded	S-40396-U	14HSCLD2-4493	2
		14/24	AAT AANT	Left Handed	S-40395-L	1424TLD2H-4489	1
				Right Handed	S-40395-R	1424TLD2H-4488	1
			AAL AAEDL AAEDT AANLS	Unhanded	S-40395-U	1424TLD2H-4490	2
		18	AAT AANT	Left Handed	S-38265-L	18HSCLD2-4296	1
				Right Handed	S-38265-R	18HSCLD2-4295	1
			AAL AAEDL AAEDT AANLS	Unhanded	S-38265-U	18HSCLD2-4297	2
		18 / 24	AAT AANT	Left Handed	S-38264-L	1824TLD2H-4293	1
				Right Handed	S-38264-R	1824TLD2H-4292	1
			AAL AAEDL AAEDT AANLS	Unhanded	S-38264-U	1824TLD2H-4294	2



BRAKE CHAMBERS (Air Disc Brakes Only) – *continued*

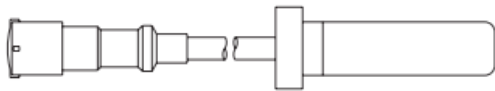
ADB BRAND	CHAMBER BRAND	CHAMBER SIZE	SUSPENSION MODEL	DESCRIPTION	PART NUMBER	CROSS REFERENCE NUMBER	QTY. PER AXLE
WABCO PAN22	TSE	20	AAT	Left Handed	S-38780-L	20HSCLD2-4344	1
			AANT	Right Handed	S-38780-R	20HSCLD2-4343	1
			AAL AAEDL AAEDT AANLS	Unhanded	S-38780-U	20HSCLD2-4345	2
		20 / 24	AAT	Left Handed	S-38779-L	2024TLD2H-4341	1
			AANT	Right Handed	S-38779-R	2024TLD2H-4340	1
			AAL AAEDL AAEDT AANLS	Unhanded	S-38779-U	2024TLD2H-4342	2
	WABCO	20	AAT	Left Handed	S-32793-L	4235051510	1
			AANT	Right Handed	S-32793-R	4235051500	1
			AAL AAEDL AAEDT AANLS	Unhanded	S-32793-U	4235051520	2
		20 / 24	AAT	Left Handed	S-38723-L	9253800210	1
			AANT	Right Handed	S-38723-R	9253800220	1
			AAL AAEDL AAEDT AANLS	Unhanded	S-38723-U	9253800200	2
Bendix ADB22X-LT	Bendix	18 / 24	AAT	Left Handed	S-38105-L	K099771	1
			AANT	Right Handed	S-38105-R	K099772	1
			AAL AAEDL AAEDT AANLS	Unhanded	S-38105-U	K099773	2
Haldux DB22LT	Haldux	20 / 30	AAT AANT AAL AAEDL AAEDT AANLS	Left Handed Right Handed Unhanded	Order Direct from Haldux	-	-
WABCO PAN17	WABCO	20 / 24	HT250UB	Left Handed	S-36215-L	9253800250	1
				Right Handed	S-36215-R	9253800240	1
WABCO PAN19	WABCO	16	AAT	Left Handed	S-37027-L	4235040350	1
			AANT	Right Handed	S-37027-R	4235040360	1
			AAL AAEDL AAEDT AANLS	Unhanded	S-37027-U	4235040340	2
		16 / 24	AAT	Left Handed	S-37026-L	9253840270	1
			AANT	Right Handed	S-37026-R	9253840280	1
			AAL AAEDL AAEDT AANLS	Unhanded	S-37026-U	9253840260	2

BRAKE CHAMBERS (Air Disc Brakes Only) – *continued*

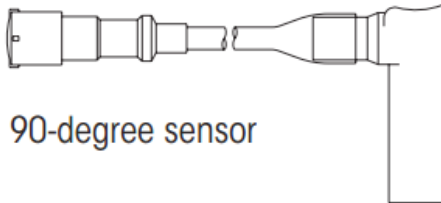
ADB BRAND	CHAMBER BRAND	CHAMBER SIZE	SUSPENSION MODEL	DESCRIPTION	PART NUMBER	CROSS REFERENCE NUMBER	QTY. PER AXLE
WABCO PAN19	WABCO	16	AAT	Left Handed	S-37027-L	4235040350	1
			AANT	Right Handed	S-37027-R	4235040360	1
			AAL AAEDL AAEDT AANLS	Unhanded	S-37027-U	4235040340	2
		16 / 24	AAT	Left Handed	S-37026-L	9253840270	1
			AANT	Right Handed	S-37026-R	9253840280	1
			AAL AAEDL AAEDT AANLS	Unhanded	S-37026-U	9253840260	2
	TSE	16	AAT	Left Handed	S-38778-L	16HSCLD2-4338	1
			AANT	Right Handed	S-38778-R	16HSCLD2-4337	1
			AAL AAEDL AAEDT AANLS	Unhanded	S-38778-U	16HSCLD2-4339	2
		16 / 24	AAL	Left Handed	S-38777-L	1624TLD2H-4335	1
			AANT	Right Handed	S-38777-R	1624TLD2H-4334	1
			AAL AAEDL AAEDT AANLS	Unhanded	S-38777-U	1624TLD2H-4336	2



ABS SENSOR



straight sensor



90-degree sensor



ABS SENSOR - AIR DISC BRAKE

BRAND	SENSOR TYPE	WIRE LENGTH	RETAINING SLEEVE	PART NUMBER	CROSS REFERENCE NUMBER	QTY. PER AXLE
Bendix	Straight (all)	78.2"	Meritor	S-22889-4	K145043BX	1
Haldex	Straight	19.7"	Meritor	S-22889-1	364 528 001	1
		78.7"	Meritor	S-22889-2	364 528 011	1
Meritor WABCO	Straight	39.4"	Meritor	S-22889-3	441 032 334 0	1

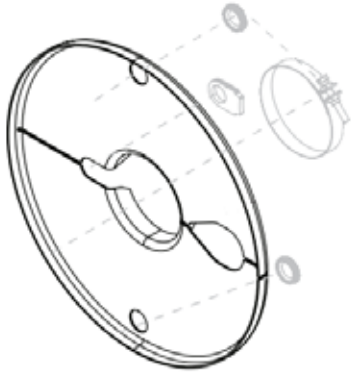
ABS SENSOR - DRUM BRAKE

BRAND	SENSOR TYPE	WIRE LENGTH	RETAINING SLEEVE	PART NUMBER	CROSS REFERENCE NUMBER	QTY. PER AXLE
Bendix	90° Angle (Std)	75.6"	Meritor	S-22889-14	K144020BX	1
	90° Angle (Std)	14.84"	Bendix	S-22889-7	300083	1
Haldex	90° Angle (Std)	19.7"	Haldex	S-22889-6	364 094 001	1
WABCO	90° Angle (Std)	15.7"	Meritor	S-22889-8	441 032 8080	1
		36.0"	Haldex	S-22889-11	441 032 8090	1

ABS Sensor Kits Contain: (1) sensor, (1) sleeve, (2) nylon ties 4.5" and (1) UV resistant nylon tie 21"

Note: Cross reference numbers include sensor only.

DUST SHIELD



DUST SHIELD KITS - DRUM BRAKES

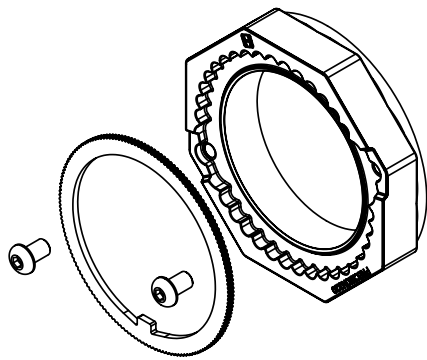
SUSPENSION MODELS	BRAKE SIZE	AXLE DIAMETER	PART NUMBER	QTY. PER AXLE	NOTES
VANTRAAX® ULTRAA-K® INTRAAX® INTRAAX SP TRLAXLE® CONNEX®	16.5"	5"	S-28500-1650	2	Replaces S-23579/2 Includes (1) dust shield and hardware
		5.75" LDA™	S-28500-1657	2	Includes (1) dust shield and hardware
	15"	5"	S-28500-1550	2	Includes (1) dust shield and hardware
CONNEX® ST	16.5"	5"	S-37611-1650L	1	Roadside; includes upper and lower dust shields, (2) port plugs, (4) screw and washer assemblies and (4) clip nuts
			S-37611-1650R	1	Curbside; includes upper and lower dust shields, (2) port plugs, (4) screw and washer assemblies and (4) clip nuts
			S-37610-500	2	Includes (2) port plugs, (4) screw and washer assemblies and (4) clip nuts

DUST SHIELD KITS - AIR DISC BRAKES

ADB MODELS	BRAKE SIZE	AXLE DIAMETER	PART NUMBER	QTY. PER AXLE	NOTES
Hendrickson MAXX22T™	415mm	5" & 5.75" LDA	S-35720-4415	2	Includes (1) bolt-on dust shield and mounting hardware
	415mm	5" & 5.75" LDA	S-35720-1	2	Includes (1) bolt-on dust shield
	415mm	5" & 5.75" LDA	S-35766-415	2	Includes hardware for bolt-on dust shield
WABCO PAN22 Bendix ADB22X-LT Haldex DB22LT	430mm	5"	S-28570-4350	2	Includes (1) clamp-on dust shield and (1) band clamp
	430mm	5.75" LDA	S-28570-4357	2	
WABCO PAN22 Bendix ADB22X-LT	430mm	5" & 5.75" LDA	S-36224-1	2	Includes (1) bolt-on dust shield
	430mm	5" & 5.75" LDA	S-36224-4430	2	Includes (1) bolt-on dust shield and hardware
WABCO PAN17	325mm	5"	S-36832-1	2	Includes (1) bolt-on dust shield
	325mm	5"	S-36832-4325	2	Includes (1) bolt-on dust shield and mounting hardware
WABCO PAN19	375mm	5" & 5.75" LDA	S-36224-2	2	Includes (1) bolt-on dust shield
	375mm	5" & 5.75" LDA	S-36224-4375	2	Includes (1) bolt-on dust shield and mounting hardware



AXLE NUT KITS

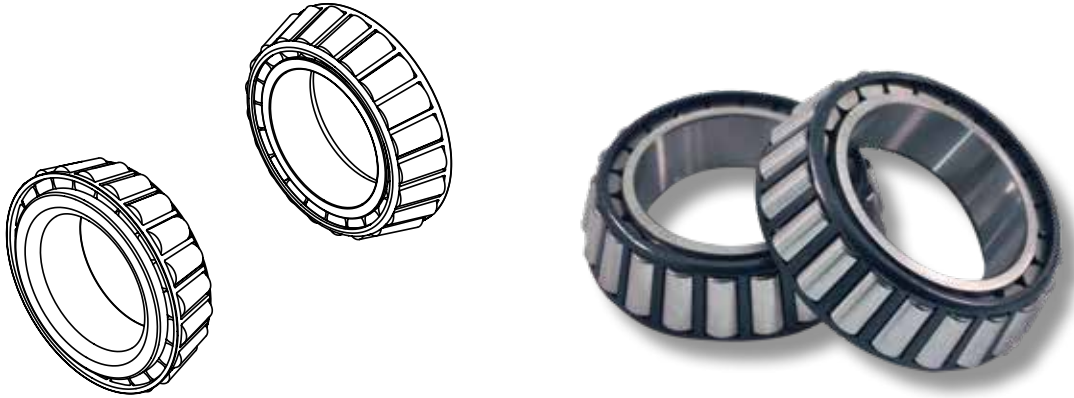


AXLE NUT KITS

SPINDLE NUT	SPINDLE	PART NUMBER	CROSS REFERENCE NUMBER	QTY. PER AXLE	NOTES
Hendrickson PRECISION320 ^{®2}	HP	S-32844/2	–	2	Includes (1) spindle nut, washer and (2) screws
Hendrickson PRECISION240 ^{®3}	HN	S-33332/2	–	2	
Hendrickson 3-Piece Nut	HN	S-20492/2	–	2	Includes (1) each inner axle nut, outer axle nut, axle lock washer and set screw
	HP	S-20475/2	–	2	
STEMCO PRO-TORQ	HN	A-23851	4474743	2	1-piece spindle nut
	HP	A-23852	4474723	2	

- 2. Please refer to T77001 for hubcap compatibility of PRECISION320 Spindle Nut Systems.
- 3. Please refer to T77002 for hubcap compatibility of PRECISION240 Spindle Nut Systems.

BEARINGS

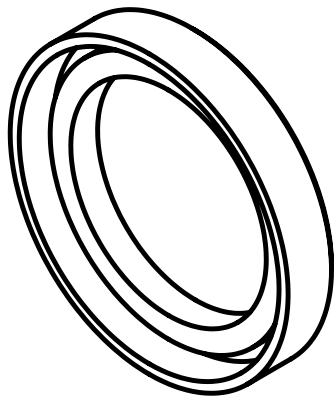


BEARINGS

BRAND	SPINDLE	DESCRIPTION	PART NUMBER	CROSS REFERENCE NUMBER	QTY. PER AXLE
ZWZ	HN	Inner Cup and Cone Assembly	S-39011	KHM218248-NA	2
		Outer Cup and Cone Assembly	S-39012	KHM212049-NA	2
	HP	Inner Cup and Cone Assembly	S-39010	KHM518445-NA	2
		Outer Cup and Cone Assembly			
Hyatt	HN	Inner Cup and Cone Assembly	S-32267-2	SET414	2
		Outer Cup and Cone Assembly	S-32267-1	SET413	2
	HP	Inner Cup and Cone Assembly	S-32267-3	SET415	2
		Outer Cup and Cone Assembly			2
Timken	HN	Inner Cup and Cone Assembly	S-37825	SET441-900SA	2
		Outer Cup and Cone Assembly	S-37826	SET440-900SA	2
	HP	Inner Cup and Cone Assembly	S-37827	SET444-900SA	2
		Outer Cup and Cone Assembly			

NOTE: Hendrickson part numbers and cross reference numbers include bearings only.

SEALS

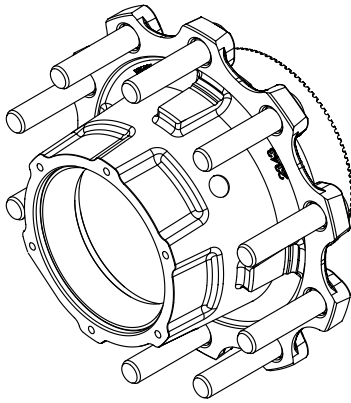


SEALS

BRAND	SPINDLE	PART NUMBER	CROSS REFERENCE NUMBER	QTY. PER AXLE
Federal Mogul	HN	S-27267-HN	M380025TX0	2
	HP	S-27268-HP	M380065TX0	2
STEMCO Guardian	HN	S-11571-HN	307-0743	2
	HP	A-14895	307-0723	2
STEMCO Discover	HN	A-25538	373-0243	2
	HP	A-25539	373-0223	2
STEMCO Voyager	HN	A-25540	373-0143	2
	HP	S-25541-HP	373-0123	2

NOTE: Hendrickson part numbers and cross reference numbers include seal only.

HUBS



HUBS - HN SPINDLE (Drum Brakes Only)

HUB BRAND & MATERIAL	RTR® PACKAGE	BEARING BRAND	WHEEL MATERIAL	SIZE	BRAKE SIZE	PART NUMBER	CROSS REFERENCE NUMBER	
ConMet Aluminum	Std. Service HVS® HXL3® HXL5®	Std.	Steel	10 stud × 11.25" BC	15" × 8-5/8" 16.5" × 7" 16.5" × 8-5/8"	C-22549-11	105775	
		Std.	Steel/Aluminum Aluminum			C-22549-12	105776	
	Std. Service HLS® HVS®	Std.	Steel	8 stud × 275mm BC	15" × 8-5/8" 16.5" × 7"	C-22551-7	105769	
		Std.	Steel/Aluminum Aluminum			C-22551-8	105760	
	ConMet PreSet	Std.	Std.	Steel	10 stud × 11.25" BC	15" × 8-5/8" 16.5" × 7" 16.5" × 8-5/8"	C-24749-1	10082440
			Std.	Steel/Aluminum Aluminum			C-24749-2	10082442
		Std.	Std.	Steel	8 stud × 275mm BC	15" × 8-5/8" 16.5" × 7"	C-25548-1	10082446
			Std.	Steel/Aluminum Aluminum			C-25548-2	10082448
Walther EMC Dura-Light Hub® (ADI)	Std. Service HLS HVS HXL3 HXL5	Std.	Steel	10 stud × 11.25" BC	15" × 8-5/8" 16.5" × 7" 16.5" × 8-5/8"	S-31906-1	10-00114M-102	
		Std.	Steel/Aluminum Aluminum			S-31906-2	10-00114M-101	
Webb Ductile Iron	Std. Service HLS HVS HXL7®	Std.	Steel	10 stud × 11.25" BC	15" × 8-5/8" 16.5" × 7" 16.5" × 8-5/8"	S-35216-1	20235--3T-73	
		Std.	Steel/Aluminum Aluminum			S-35216-2	20235--5T-73	
		Timken	Steel	10 stud × 11.25" BC	15" × 8-5/8" 16.5" × 7" 16.5" × 8-5/8"	S-35216-3	20231--3T-73	
		Timken	Steel/Aluminum Aluminum			S-35216-4	20231--5T-73	
	Std. Service HLS HVS HXL3 HXL5	Std.	Steel	8 stud × 275mm BC	12.25" × 7.5"	S-38163-1	20275--3T80-71	
		Std.	Steel/Aluminum Aluminum			S-381632	20275--5T80-71	
KIC Ductile Iron	Std. Service HXL3 HXL5	Std.	Steel	10 stud × 11.25" BC	15" × 8-5/8" 16.5" × 7" 16.5" × 8-5/8"	S-34419-3	HUB-01025FTY	
		Std.	Steel/Aluminum Aluminum			S-34419-2	HUB-01025FLTY	
	Std. Service HXL5	Std.	Steel	8 stud × 275mm BC	12.25" × 7.5"	C-37196-1	HUB-00133FTY	
		Std.	Steel/Aluminum Aluminum			C-37196-2	HUB-00133FLTY	
	Global Service	Std.	Steel	10 stud × 335mm BC	16.5" × 7" 16.5" × 8-5/8"	D-33466-1	HUB-00108FTY	
		Std.	Steel/Aluminum Aluminum			D-33466-2	HUB-00108FLTY	

NOTE: Hendrickson part numbers and cross reference numbers include hub only.

HUBS - HP SPINDLE (Drum Brakes Only)

HUB BRAND & MATERIAL	RTR® PACKAGE	BEARING BRAND	WHEEL MATERIAL	SIZE	BRAKE SIZE	PART NUMBER	CROSS REFERENCE NUMBER	
ConMet Aluminum	Std. Service HLS® HVS® HXL3® HXL5® HXL7®	Std.	Steel	10 stud × 11.25" BC	15" × 8-5/8" 16.5" × 7" 16.5" × 8-5/8"	C-23593-9	10001196	
		Std.	Steel/Aluminum Aluminum			C-23593-10	10001198	
		Timken	Steel			C-23593-17	10001190	
		Timken	Steel/Aluminum Aluminum			C-23593-18	10001192	
	Std. Service HLS HVS	Std.	Steel	8 stud × 275mm BC	15" × 8-5/8" 16.5" × 7"	C-23373-3	106302	
		Std.	Steel/Aluminum Aluminum			C-23373-4	106304	
	ConMet PreSet	Std.	Steel	10 stud × 11.25" BC	15" × 8-5/8" 16.5" × 7" 16.5" × 8-5/8"	C-25551-1	10082436	
			Steel/Aluminum Aluminum			C-25551-2	10082438	
		Std.	Steel	8 stud × 275mm BC	15" × 8-5/8" 16.5" × 7"	C-25550-1	10082443	
			Steel/Aluminum Aluminum			C-25550-2	10082445	
	Walther EMC Dura-Light Hub® (ADI)	Std. Service HLS HVS HXL3 HXL5 HXL7	Std.	Steel	10 stud × 11.25" BC	15" × 8-5/8" 16.5" × 7" 16.5" × 8-5/8"	S-31905-1	10-00112M-102
			Std.	Steel/Aluminum Aluminum			S-31905-2	10-0112M-101
Webb Ductile Iron	Std. Service HLS HVS HXL3 HXL5 HXL7	Std.	Steel	10 stud × 11.25" BC	15" × 8-5/8" 16.5" × 7" 16.5" × 8-5/8"	C-23593-5	23435--3T-73	
		Std.	Steel/Aluminum Aluminum			C-23593-6	23435--5T-73	
		Timken	Steel			C-23593-19	23431--3T-73	
		Timken	Steel/Aluminum Aluminum			C-23593-20	23431--5T-73	
	Std. Service HLS HVS HXL3 HXL5	Std.	Steel	8 stud × 275mm BC	12.25" × 7.5"	S-38164-1	23475--3T80-71	
		Std.	Steel/Aluminum Aluminum			S-38164-2	23475--5T80-71	
KIC Ductile Iron	Std. Service HXL3 HXL5	Std.	Steel	10 stud × 11.25" BC	15" × 8-5/8" 16.5" × 7" 16.5" × 8-5/8"	S-34420-1	HUB-01043FTY	
		Std.	Steel/Aluminum Aluminum			S-34420-2	HUB-01043FLTY	
	Std. Service HXL5	Std.	Steel	8 stud × 275mm BC	12.25" × 7.5"	S-36163-1	HUB-41045FTY	
		Std.	Steel/Aluminum Aluminum			S-36163-2	HUB-41045FLTY	
	Global Service	Std.	Steel	10 stud × 335mm BC	16.5" × 7" 16.5" × 8-5/8"	C-34758-1	HUB-40310FTY	
		Std.	Steel/Aluminum Aluminum			C-34758-2	HUB-40310FLTY	

NOTE: Hendrickson part numbers and cross reference numbers include hub only.

HUBS & ROTOR ASSEMBLIES - HN SPINDLE (Air Disc Brakes Only)

ADB BRAND	HUB BRAND	HUB MATERIAL	BEARING BRAND	WHEEL MATERIAL	SIZE	PART NUMBER	CROSS REFERENCE NUMBER
Bendix ADB22X-LT WABCO PAN22 HALDEX DB22LT	ConMet PreSet	Aluminum	No	Steel	10 Stud × 11.25" BC	D-28363-2	10082493
			No	Steel/Aluminum Aluminum		D-28363-1	10082494
Bendix ADB22X-LT	ConMet PreSet	Aluminum Splined	No	Steel	10 Stud × 11.25" BC	D-31179-2	10082497
			No	Steel/Aluminum Aluminum		D-31179-1	10082498
WABCO PAN22 HALDEX DB22LT	Hendrickson	Ductile Iron	Std.	Steel	10 Stud × 11.25" BC	S-34576-1	–
			Std.	Steel/Aluminum Aluminum		S-34576-2	–
			Timken	Steel		S-34576-3	–
			Timken	Steel/Aluminum Aluminum		S-34576-4	–
WABCO PAN17	Hendrickson	Ductile Iron	Std.	Steel	8 stud × 275mm BC	S-37182-1	–
				Steel/Aluminum Aluminum		S-37182-2	–
WABCO PAN19	Hendrickson	Ductile Iron	Std.	Steel	10 Stud × 11.25" BC	S-36701-1	–
				Steel/Aluminum Aluminum		S-36701-2	–
Bendix ADB22X-LT	ConMet	Ductile Iron	Std.	Steel	10 Stud × 11.25" BC	D-28596-31	10020523
			Std.	Steel/Aluminum Aluminum		D-28596-32	10020522
Hendrickson MAXX22T™	Hendrickson	Ductile Iron	Std.	Steel	10 Stud × 11.25" BC	S-35025-1	–
			Std.	Steel/Aluminum Aluminum		S-35025-2	–
			Timken	Steel		S-35025-3	–
			Timken	Steel/Aluminum Aluminum		S-35025-4	–
	Walther EMC	Dura-Light Hub® (ADI)	Std.	Steel		S-38162-1	–
			Std.	Steel/Aluminum Aluminum		S-38162-2	–
			Timken	Steel		S-38162-3	–
			Timken	Steel/Aluminum Aluminum		S-38162-4	–

NOTE: Hendrickson part numbers include the hub assembly, rotor assembly and hardware. Cross reference numbers include hub only.

HUBS & ROTOR ASSEMBLIES - HP SPINDLE (Air Disc Brakes Only)

ABS BRAND	HUB BRAND	HUB MATERIAL	BEARING BRAND	WHEEL MATERIAL	SIZE	PART NUMBER	CROSS REFERENCE NUMBER
Bendix ADB22X-LT WABCO PAN22	ConMet PreSet	Aluminum	No	Steel	10 Stud x 11.25" BC	D-32014-2	10082491
			No	Steel/Aluminum Aluminum		D-32014-1	10082492
Bendix ADB22X-LT	ConMet PreSet	Aluminum Splined	No	Steel	10 Stud x 11.25" BC	D-31180-2	10082499
			No	Steel/Aluminum Aluminum		D-31180-1	10082500
		Ductile Iron	Std.	Steel		D-28596-12	10082449
			Std.	Steel/Aluminum Aluminum		D-28596-11	10082450
WABCO PAN22 HALDEX DB22LT	Hendrickson	Ductile Iron	Std.	Steel	10 Stud x 11.25" BC	S-34577-1	–
			Std.	Steel/Aluminum Aluminum		S-34577-2	–
			Timken	Steel		S-34577-3	–
			Timken	Steel/Aluminum Aluminum		S-34577-4	–
WABCO PAN19	Hendrickson	Ductile Iron	Std.	Steel	10 Stud x 11.25" BC	S-36700-1	–
				Steel/Aluminum Aluminum		S-36700-2	–
Bendix ADB22X-LT	ConMet	Ductile Iron	Std.	Steel	10 Stud x 11.25" BC	D-28596-30	10012380
			Std.	Steel/Aluminum Aluminum		D-28596-29	10012381
			Timken	Steel		D-28596-34	10012384
			Timken	Steel/Aluminum Aluminum		D-28596-33	10012385
Hendrickson MAXX22T™	Hendrickson	Ductile Iron	Std.	Steel	10 Stud x 11.25" BC	S-35026-1	–
			Std.	Steel/Aluminum Aluminum		S-35026-2	–
			Timken	Steel		S-35026-3	–
			Timken	Steel/Aluminum Aluminum		S-35026-4	–
	Walther EMC	Dura-Light Hub® (ADI)	Std.	Steel		S-36697-1	–
			Std.	Steel/Aluminum Aluminum		S-36697-2	–
			Timken	Steel		S-36697-3	–
			Timken	Steel/Aluminum Aluminum		S-36697-4	–

NOTE: Hendrickson part numbers include the hub assembly, rotor assembly and hardware. Cross reference numbers include hub only.

HUBS ONLY (Air Disc Brakes Only)

ADB BRAND	HUB BRAND	HUB MATERIAL	BEARING BRAND	WHEEL MATERIAL	SIZE	SPINDLE TYPE	PART NUMBER	CROSS REFERENCE NUMBER			
Hendrickson MAXX22T™ WABCO PAN19 WABCO PAN22 HALDEX DB22LT	Hendrickson	Ductile Iron	Hyatt	Steel	10 stud x 11.25"	HN	S-33386-1	–			
				Steel/Aluminum			S-33386-2	–			
				Steel		HP	S-33387-1	–			
				Steel/Aluminum			S-33387-2	–			
			Timken	Steel		HN	S-33386-5	–			
				Steel/Aluminum			S-33386-6	–			
			Timken	Steel		HP	S-33387-7	–			
				Steel/Aluminum			S-33387-8	–			
			Hyatt	Steel	10 stud x 335mm	HN	C-33381-1	–			
							C-33381-2	–			
				C-33381-5			–				
				C-33381-6			–				
				Timken		Steel	HP	C-33883-1	–		
						Steel/Aluminum		C-33883-2	–		
				Hyatt		Steel		C-33883-5	–		
						Steel/Aluminum		C-33883-6	–		
			Hendrickson MAXX22T	Walther EMC	Dura-Light Hub® (ADI)	Hyatt	Steel	10 stud x 11.25"	HP	S-37184-1	–
							Steel/Aluminum			S-37184-2	
Timken	Steel	S-37184-3				–					
	Steel/Aluminum	S-37814-4				–					
Hyatt	Steel	HN				S-38161-1	–				
	Steel/Aluminum					S-38161-2	–				
Timken	Steel					S-38161-3	–				
	Steel/Aluminum					S-38161-4	–				
Bendix ADB22X-LT	ConMet	Ductile Iron	Hyatt	Steel	10 stud x 11.25"	HP	S-28534-2	10012380			
				Steel/Aluminum			S-28534-1	10012381			
			Timken	Steel/Aluminum			C-28534-5	10012385			
			Hyatt	Steel		HN	C-34582-1	10020523			
				Steel/Aluminum			C-34582-2	10020522			



ROTOR AND ATTACHMENT HARDWARE KITS - WABCO, BENDIX & HALDEX (Air Disc Brakes Only)

ADB BRAND	DESCRIPTION	CONTAINS	PART NUMBER	CROSS REFERENCE NUMBER	QTY. PER AXLE
WABCO PAN22	Hendrickson cast 430mm rotor	Includes 1 U-shaped rotor, 10 bolts and 10 washers	S-38764	–	2
	Metric fasteners for cast rotor	Includes 20 bolts and 20 washers	S-35210-3	–	1
	Metric fasteners for cast rotor	Includes 10 bolts and 10 washers	S-35210-4	–	2
	ConMet flat rotor	Includes 1 flat rotor, 10 bolts and 10 washers	S-36661-1	10016195	2
	Rotor replacement kits - HN	HN Spindle; Includes 1 rotor, 10 rotor bolts, 10 rotor washers, 6 caliper bolts, 6 caliper washers, 1 seal, 1 gasket, 6 hubcap screws, 6 hubcap washers, 2 button head screws, 1 PRECISION240® lock washer and 1 package of Delo	S-37435-1	–	2
	Rotor replacement kits - HP	HP Spindle; Includes 1 rotor, 10 rotor bolts, 10 rotor washers, 6 caliper bolts, 6 caliper washers, 1 seal, 1 gasket, 6 hubcap screws, 6 hubcap washers, 2 button head screws, 1 PRECISION320® lock washer and 1 package of Delo	S-37435-2	–	2
Bendix ADB22X-LT	Bendix splined 430mm rotor	Includes 1 splined rotor and fasteners	S-29152-17	802569	2
	Bendix cast 430mm rotor	Includes 1 U-shaped rotor	S-32193	K110358	2
	Inch fasteners for U-shaped rotor	Includes 20 bolts and 20 washers for U-shaped rotor	S-35210-1	–	1
	Inch fasteners for U-shaped rotor	Includes 10 bolts and 10 washers for U-shaped rotor	S-35210-2	–	2
	ConMet flat rotor	Includes 1 flat rotor, 10 bolts and 10 washers	S-36661-1	10016195	2
	Bendix splined rotor fastener kit	Includes 1 Bendix fastener kit	S-29152-18	K037767	2
Haldex DB22LT	Hendrickson cast 430mm rotor	Includes 1 U-shaped rotor, 10 bolts and 10 washers	S-34172	–	2
	Metric fasteners for cast rotor	Includes 20 bolts and 20 washers	S-35210-3	–	1
	Metric fasteners for cast rotor	Includes 10 bolts and 10 washers	S-35210-4	–	2
WABCO PAN17	Hendrickson cast 325mm rotor	Includes 1 rotor and fasteners	S-33391	–	2
	Metric fasteners for cast rotor	Includes 16 bolts	S-35210-5	–	1
	Metric fasteners for cast rotor	Includes 8 bolts	S-35210-6	–	2
WABCO PAN19	Hendrickson cast 375mm rotor	Includes 1 rotor and fasteners	S-33389-1	–	2
	Metric fasteners for cast rotor	Includes 20 bolts and 20 washers	S-35210-3	–	1
	Metric fasteners for cast rotor	Includes 10 bolts and 10 washers	S-35210-4	–	2

NOTE: Hendrickson recommends replacing bolts. Cross reference numbers include rotor only.

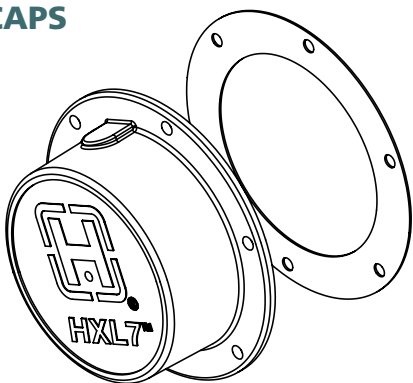
ROTOR AND ATTACHMENT HARDWARE KITS - MAXX22T™ (Air Disc Brakes Only)

ADB BRAND	HUB	DESCRIPTION	CONTAINS	PART NUMBER	CROSS REFERENCE NUMBER	QTY. PER AXLE
Hendrickson MAXX22T™	Dura-Light Hub®	Hendrickson rotor, short stud	Includes 1 rotor and 10 short wheel studs	S-37009-1	17-00188	2
		Hendrickson rotor, long stud	Includes 1 rotor and 10 long wheel studs	S-37009-2	17-00188	2
		Short wheel stud	1 short wheel stud	S-37024-1	02-00195	20
		Long wheel stud	1 long wheel stud	S-37024-2	02-00175	20
	Ductile Iron	WABCO rotor	Includes 1 rotor*	S-34471	6629056112	2
		Metric fasteners for MAXX22T cast rotor	Includes 20 bolts and 20 washers	S-35210-3	–	1
		Metric fasteners for MAXX22T cast rotor	Includes 10 bolts and 10 washers	S-35210-4	–	2
		MAXX22T rotor replacement kit - HN	HN Spindle; Includes 1 rotor, 10 rotor bolts, 10 rotor washers, 6 caliper bolts, 6 caliper washers, 1 seal, 1 gasket, 6 hubcap screws, 6 hubcap washers, 2 button head screws, 1 PRECISION240® lock washer and 1 package of Delo	S-37434-1	6629056112	2
		MAXX22T rotor replacement kit - HP	HP Spindle; Includes 1 rotor, 10 rotor bolts, 10 rotor washers, 6 caliper bolts, 6 caliper washers, 1 seal, 1 gasket, 6 hubcap screws, 6 hubcap washers, 2 button head screws, 1 PRECISION320® lock washer and 1 package of Delo	S-37434-2	6629056112	2

NOTE: Hendrickson recommends replacing bolts.

*Cross reference numbers include rotor only except 02-00195 and 02-00175.

HUBCAPS



HENDRICKSON ORIGINAL EQUIPMENT REPLACEMENTS

RTR® PACKAGE	TIRES	LUBE TYPE	TIRE INFLATION SYSTEM	SPINDLE	PART NUMBER
HXL7®	Super Single Dual	Semi-fluid Grease	TIREMAAX® CP	HP	VS-32070-3
			TIREMAAX PRO		VS-32056-3
			None		S-34434
HXL5®		Semi-fluid Grease	TIREMAAX CP	HN	VS-32068-3
				HP	VS-32070-3
			TIREMAAX PRO	HN	VS-32055-3
				HP	VS-32056-3
			None	HN	S-33376
HP		S-33377			
HXL3®		Oil	TIREMAAX CP	HN	VS-32068-1
				HP	VS-32070-1
			TIREMAAX PRO	HN	VS-32055-1
	HP			VS-32056-1	
	None		HN	S-34784	
			HP	S-35943-1	
Global Service HLS®*	Grease	None	HN	S-27858	
			HP	S-27859	
	Oil	None	HP	S-35943-3	
Std. Service Global Service HLS ConMet Preset	Semi-fluid Grease	TIREMAAX CP	HN	VS-32068-3	
			HP	VS-32070-3	
		TIREMAAX PRO	HN	VS-32055-3	
			HP	VS-32056-3	
Std. Service Global Service** HVS® ConMet Preset	Oil	TIREMAAX CP	HN	VS-32068-1	
			HP	VS-32070-1	
		TIREMAAX PRO	HN	VS-32055-1	
			HP	VS-32056-1	

NOTE: Hendrickson part numbers include hubcap and gasket.

*HLS is grease hubcap only.

**Global Service oil hubcaps only available with HP spindle.

DUAL DYNAMICS ORIGINAL EQUIPMENT REPLACEMENT

RTR® PACKAGE	TIRES	LUBE TYPE	TIRE INFLATION SYSTEM	SPINDLE	PART NUMBER	CROSS REFERENCE NUMBER
HXL7®	Super Single Dual	Semi-fluid Grease	TIREMAAX®	HP	VS-31185	–
HVS®		Oil	None	HN	C-28572	207-PSN
				HP	C-28573	257-PSN
Std. Service		Semi-fluid Grease	None	HN	C-29467	202-G
				HP	C-29466	255-G
ConMet Preset		Semi-fluid Grease	None	HN	C-25886	10018622
				HP	S-25888	10018621
		Oil	None	HN	C-25885	106819
	HP			C-25887	106870	

NOTE: Hendrickson part numbers and cross reference numbers for Dual Dynamics include hubcap only.

STANDARD BOLT-ON ORIGINAL EQUIPMENT REPLACEMENTS

RTR PACKAGE	TIRES	LUBE TYPE	TIRE INFLATION SYSTEM	SPINDLE	PART NUMBER	CROSS REFERENCE NUMBER
Std. Service	Super Single Dual	Semi-fluid Grease	TIREMAAX	HN	VS-31290	340-4307
				HP	VS-31291	340-4311
		Oil	TIREMAAX	HN	VS-31292	343-4307
				HP	VS-31293	343-4311
		None		HN	A-1974	343-4009
				HP	S-35943-2	343-4195

NOTE: Hendrickson part numbers and cross reference numbers for Stemco bolt-on include hubcap only.

STEMCO SENTINEL ORIGINAL EQUIPMENT REPLACEMENTS

RTR PACKAGE	TIRES	LUBE TYPE	TIRE INFLATION SYSTEM	SPINDLE	PART NUMBER	CROSS REFERENCE NUMBER
Std. Service	Super Single Dual	Semi-fluid Grease	None	HN	S-23987	349-4009
				HP	A-23989	349-4195
		Oil	None	HN	S-23986	348-5307
				HP	A-23988	348-5308

NOTE: Hendrickson part numbers and cross reference numbers for Stemco Sentinel include hubcap only.

RTR PACKAGE	TIRES	LUBE TYPE	TIRE INFLATION SYSTEM	SPINDLE	PART NUMBER	CROSS REFERENCE NUMBER
Global Service HLS	Super Single Dual	Semi-fluid Grease	None	HN	S-27858	HS009P
				HP	S-27859	HS164P

NOTE: Hendrickson part numbers and cross reference numbers for Stemco Sentinel include hubcap only.

**HUBCAP PLUG**

HUBCAP BRAND	DESCRIPTION	PART NUMBER	CROSS REFERENCE NUMBER	QTY. PER AXLE
STEMCO Bolt-On	Rubber Hubcap Plug	S-26040	359-5990	2
Dual Dynamics	ConMet Preset Plug	S-30004	DOP10162	2
STEMCO Sentinel	Plastic Hubcap Plug	S-26041	359-6103	2
Hendrickson Std. Bolt-On	Rubber Hubcap Plug	S-39932-1	–	2

HXL REBUILD KITS

RTR® PACKAGE	SPINDLE	DESCRIPTION	PART NUMBER	QTY. PER AXLE	NOTES
HXL3®	HN	Hubcap attachment hardware	S-37431-1	2	Includes (1) gasket, (6) screws and washer assemblies
		HXL seal replacement kit	S-37432-3	2	(1) seal, (1) gasket, (2) button head screws, (1) PRECISION240® interlock washer, (6) screws and washer assemblies
		Hub rebuild kit	S-37433-3	2	Includes (1) inner bearing set, (1) outer bearing set, (1) seal, (1) gasket, (2) button head screws, (1) PRECISION240 interlock washer, (6) screws and washer assemblies
	HP	Hubcap attachment hardware	S-37931-2	2	Includes (1) gasket, (6) screws and washer assemblies
		HXL seal replacement kit	S-37432-4	2	Includes (1) seal, (1) gasket, (2) button head screws, (1) PRECISION320 interlock washer, (6) screws and washer assemblies
		Hub rebuild kit	S-37433-4	2	Includes (1) inner bearing set, (1) outer bearing set, (1) seal, (1) gasket, (2) button head screws, (1) PRECISION320 interlock washer, (6) screws and washer assemblies
HXL5®	HN	Hubcap attachment hardware	S-37431-1	2	Includes (1) gasket, (6) screws and washer assemblies
		HXL seal replacement kit	S-37432-1	2	Includes (1) seal, (1) gasket, (2) button head screws, (1) PRECISION240 interlock washer, (1) package of delo grease, (6) screws and washer assemblies
		Hub rebuild kit	S-37433-1	2	Includes (1) inner bearing set, (1) outer bearing set, (1) seal, (1) gasket, (2) button head screws, (1) PRECISION240 interlock washer, (1) package of delo grease, (6) screws and washer assemblies
HXL5 HXL7®	HP	Hubcap attachment hardware	S-37431-2	2	Includes (1) gasket, (6) screws and washer assemblies
		HXL seal replacement	S-37432-2	2	Includes (1) seal, (1) gasket, (2) button head screws, (1) PRECISION320® interlock washer, (1) package of delo grease, (6) screws and washer assemblies
		Hub rebuild kit	S-37433-2	2	Includes (2) bearing sets, (1) seal, (1) gasket, (2) button head screws, (1) PRECISION320 interlock washer, (1) package of delo grease, (6) screws and washer assemblies
HXL3 HXL5 HXL7*	HN	HXL wheel-end adjustment kits	S-39096-1	2	Includes (1) gasket, (6) screw and washer assemblies, (2) button head screws, (1) PRECISION240 interlock washer
	HP		S-39096-2	2	Includes (1) gasket, (6) screw and washer assemblies, (2) button head screws, (1) PRECISION320 interlock washer

*HXL7 is HP only



MAINTENANCE TOOL (Air Disc Brakes Only)

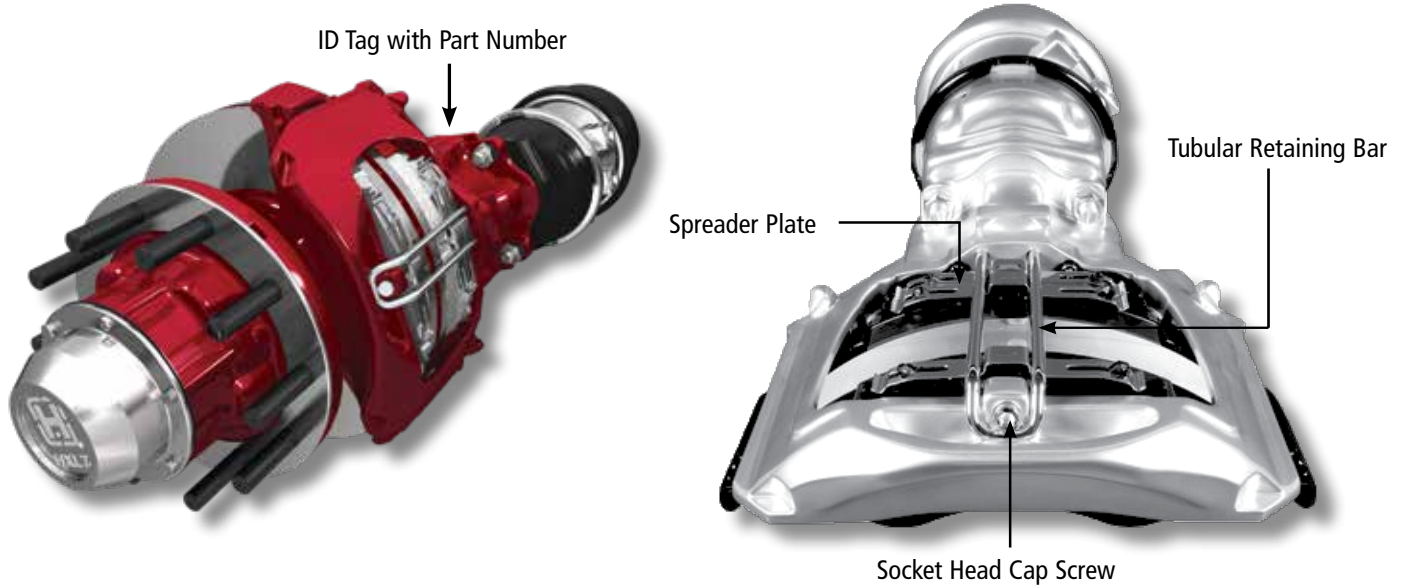
ADB BRAND	DESCRIPTION	PART NUMBER	CROSS REFERENCE NUMBER
All	Includes 1 pad and rotor wear indicator tool	S-37430	–
	Includes 10 pads and rotor wear indicator tools	S-37430-BK	–
	HN end play gauge	S-36710-1	–
	HP end play gauge	S-36710-2	–
	HN & HP end play gauge	S-36710-3	–
	Digital end play gauge indictator	S-36706	–
	Glass inspection mirror	S-38040	–
	Inspection flashlight	S-38180	–
	Pad & rotor inspection kit	S-38181	–
Hendrickson MAXX22T™	Includes 1 adjuster tool	S-32676-5	6401955222
	Includes 1 tool for MAXX22T	S-35303-6	6403225222
	Offset box wrench	S-38378	–
WABCO PAN22	Includes 1 adjuster tool	S-32676-5	6401955222
	Includes 1 tool for PAN22-1	S-32676-6	6401955212
	Offset box wrench	S-38378	–
Haldex DB22LT	Includes 1 special assembly tool kit	S-30560-1	791-1000



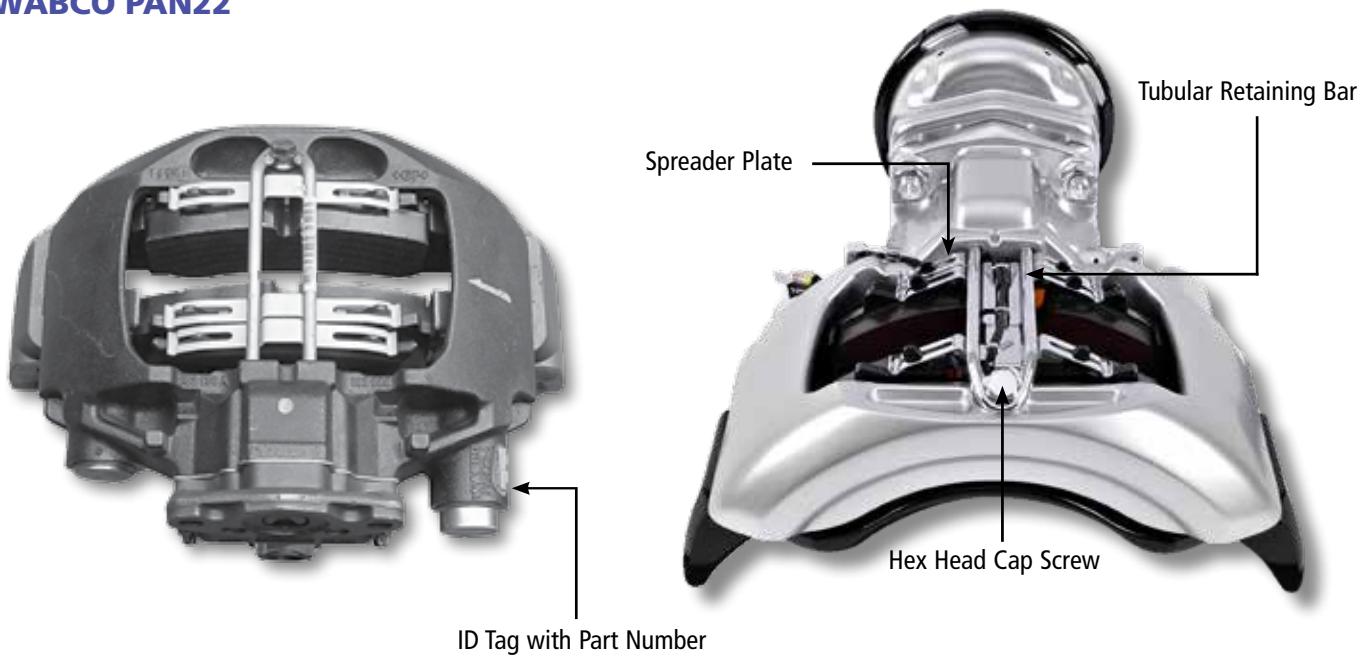
HOW TO IDENTIFY AN AIR DISC BRAKE SYSTEM

Please see below to help identify Hendrickson MAXX22T™, WABCO PAN22, Bendix ADB22X-LT and Haldex DBT 22LT ID tags and key identifiers.

Hendrickson MAXX22T™



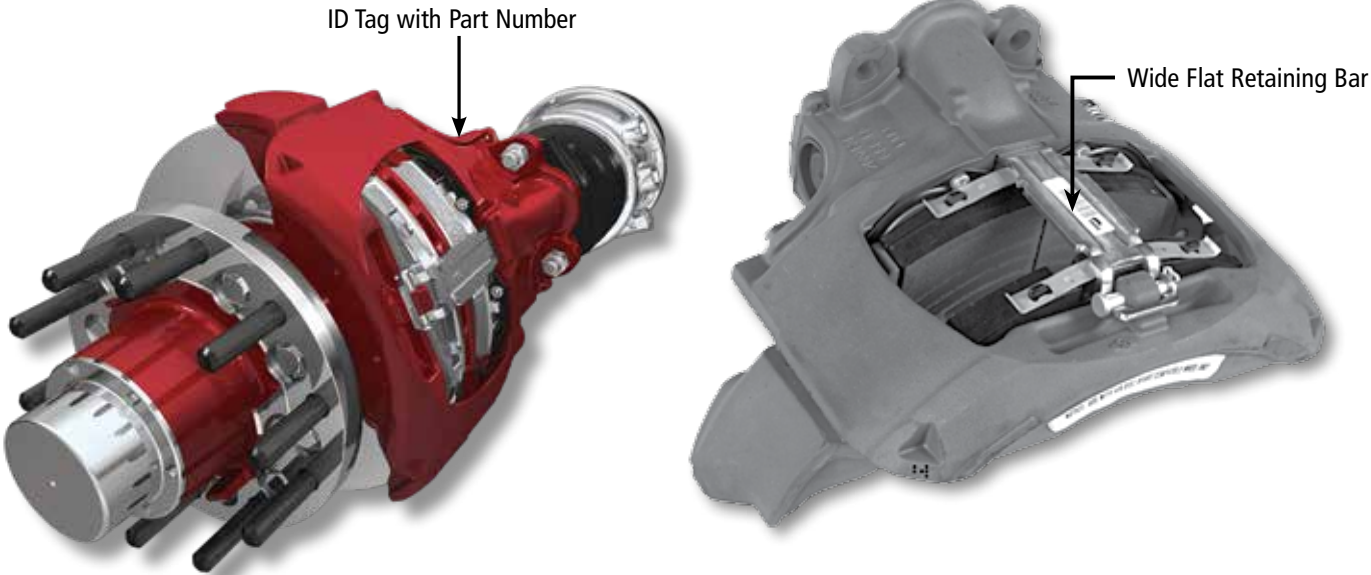
WABCO PAN22



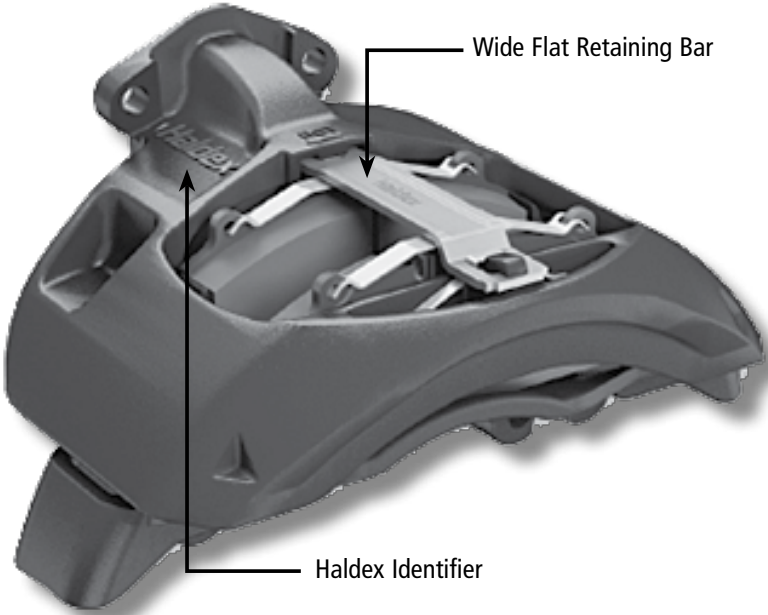


HOW TO IDENTIFY AN AIR DISC BRAKE SYSTEM – *continued*

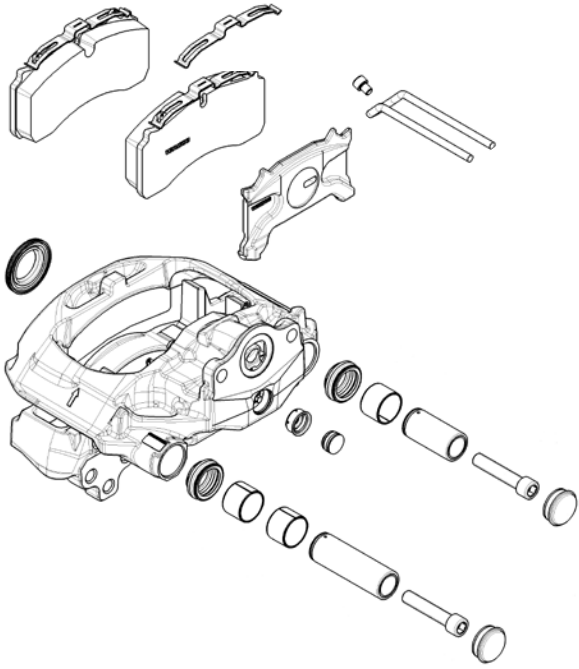
Bendix ADB22X-LT



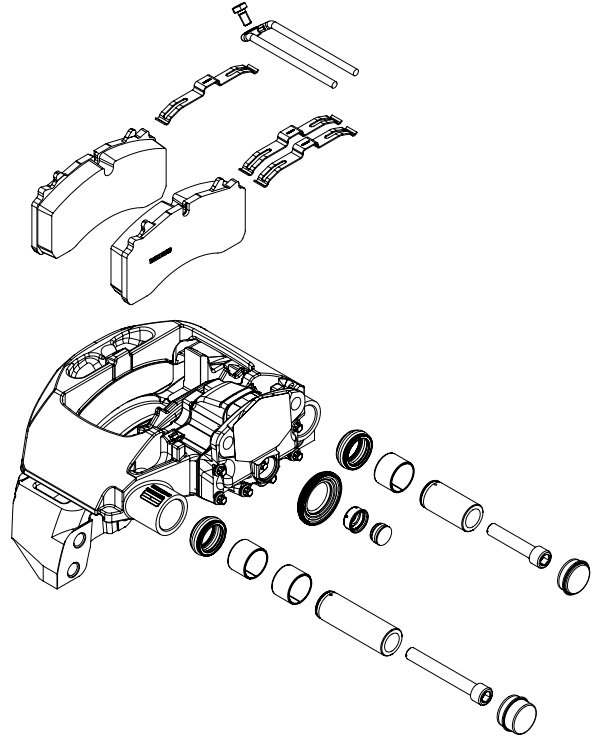
Haldex DBT22LT



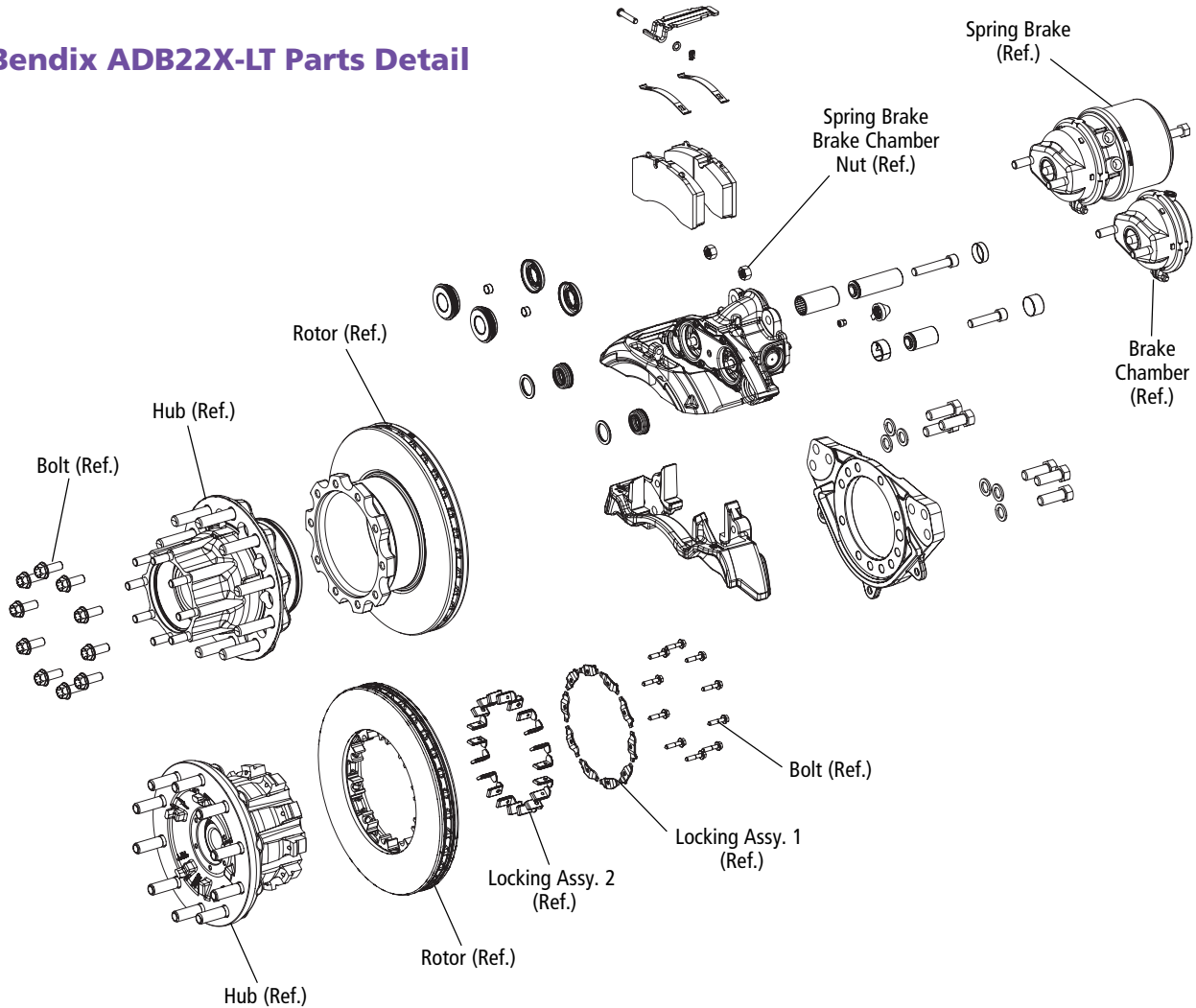
Hendrickson MAXX22T™ Parts Detail

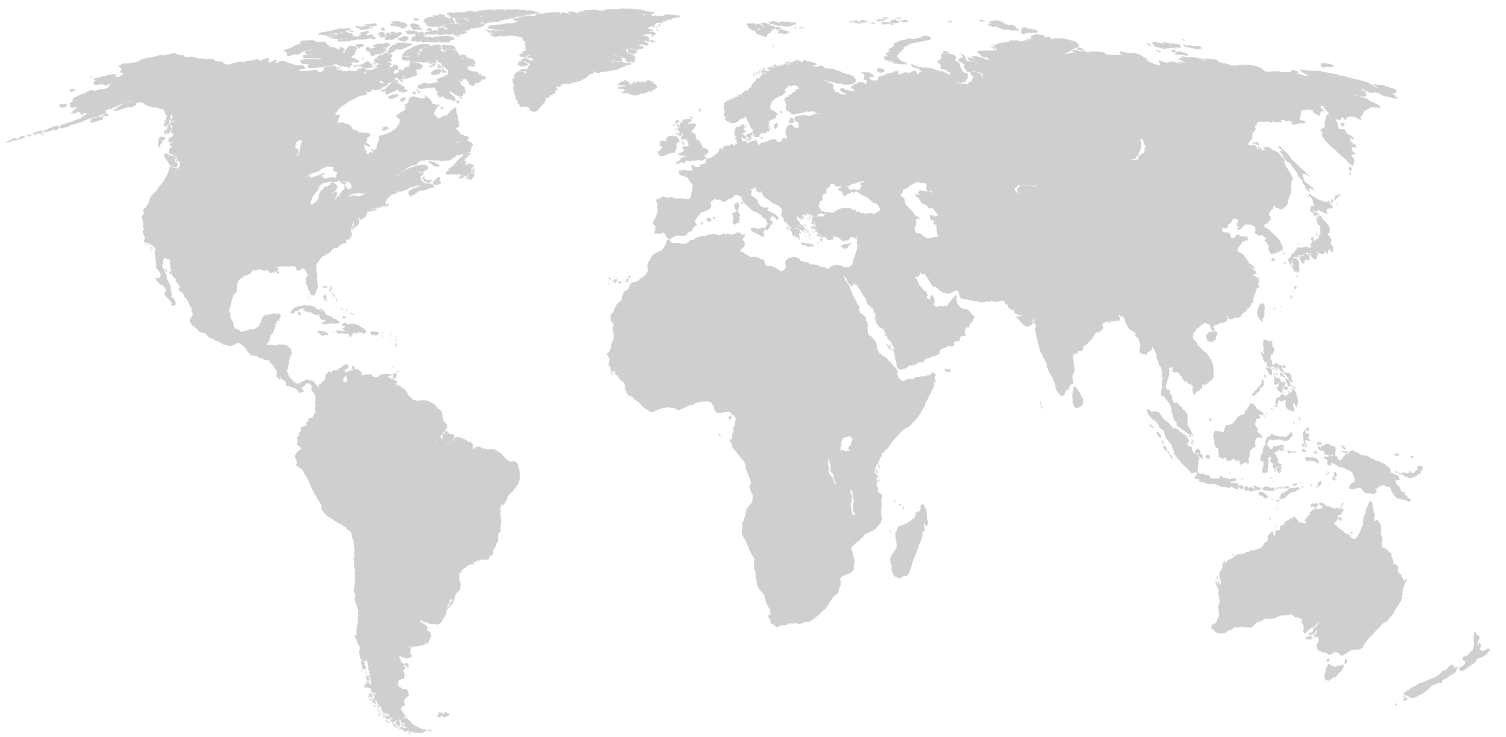


WABCO PAN22 Parts Detail



Bendix ADB22X-LT Parts Detail





*Actual product performance may vary depending upon vehicle configuration, operation, service and other factors.
All applications must comply with applicable Hendrickson specifications and must be approved by the respective vehicle manufacturer with the vehicle in its original, as-built configuration.
Contact Hendrickson for additional details regarding specifications, applications, capacities, and operation, service and maintenance instructions.*

Call Hendrickson at 330.489.0045 or 866.RIDEAIR (743.3247) for additional information.



www.hendrickson-intl.com

TRAILER COMMERCIAL VEHICLE SYSTEMS

2070 Industrial Place SE
Canton, OH 44707-2641 USA
866.RIDEAIR (743.3247)
330.489.0045 • Fax 800.696.4416

Hendrickson Canada

250 Chrysler Drive, Unit #3
Brampton, ON Canada L6S 6B6
800.668.5360
905.789.1030 • Fax 905.789.1033

Hendrickson Mexicana

Circuito El Marqués Sur #29
Parque Industrial El Marqués
Pob. El Colorado, Municipio El Marqués,
Querétaro, México C.P. 76246
+52 (442) 296.3600 • Fax +52 (442) 296.3601

L949 Rev L 10-20

© 2006 - 2020 Hendrickson USA, L.L.C. All Rights Reserved. All marks are trademarks of their respective owners.

Information contained in this literature was accurate at the time of publication. Product changes may have been made after the copyright date that are not reflected.

Printed in United States of America