

H PARTS LIST

RS™ Rear Suspension

LIT NO: SP-166

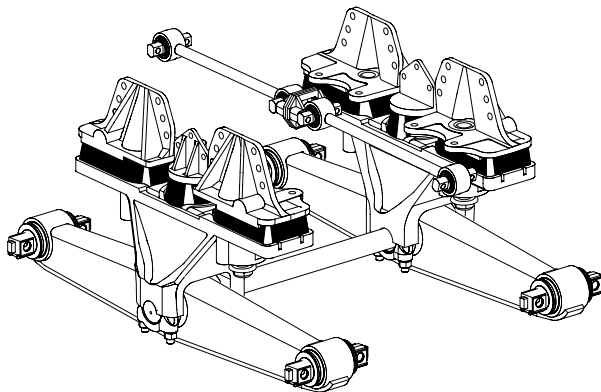
DATE: January 2017

REVISION: F

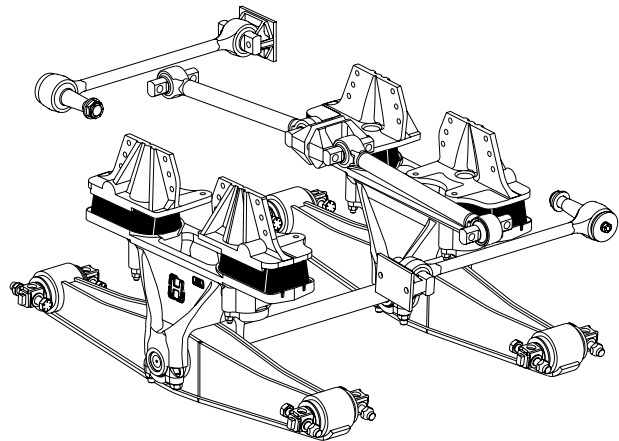
CONTENTS

DESCRIPTION	PAGE	DESCRIPTION	PAGE
Parts Lists		Notes	11
■ RS 40K • 46K	2	Selection Guides	
■ RS 48K • 52K	4	■ Cross Tubes	11
■ RS 65K	6	■ Corresponding Center Bushing End Plugs for Cross Tube Replacement	11
■ RS 85K • 100K • 120K	8	■ Torque Rod Assembly RS 85K • 100K • 120K	12
Special Tools	10		

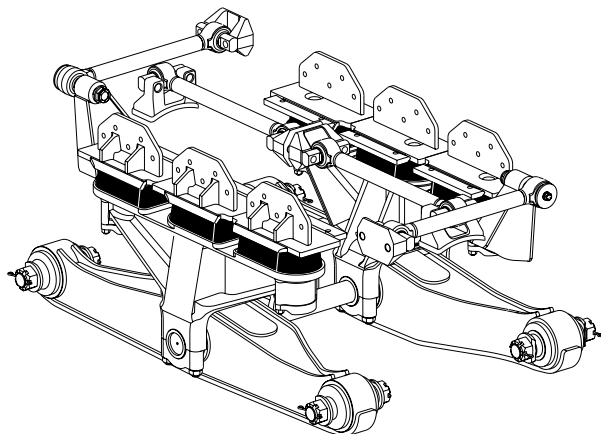
RS 40K • 46K



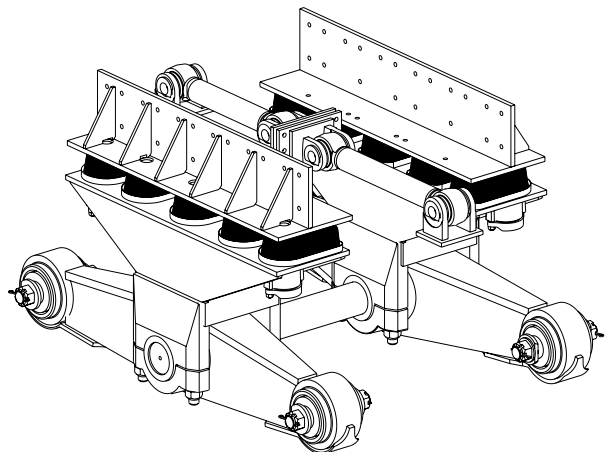
RS 48K • 52K

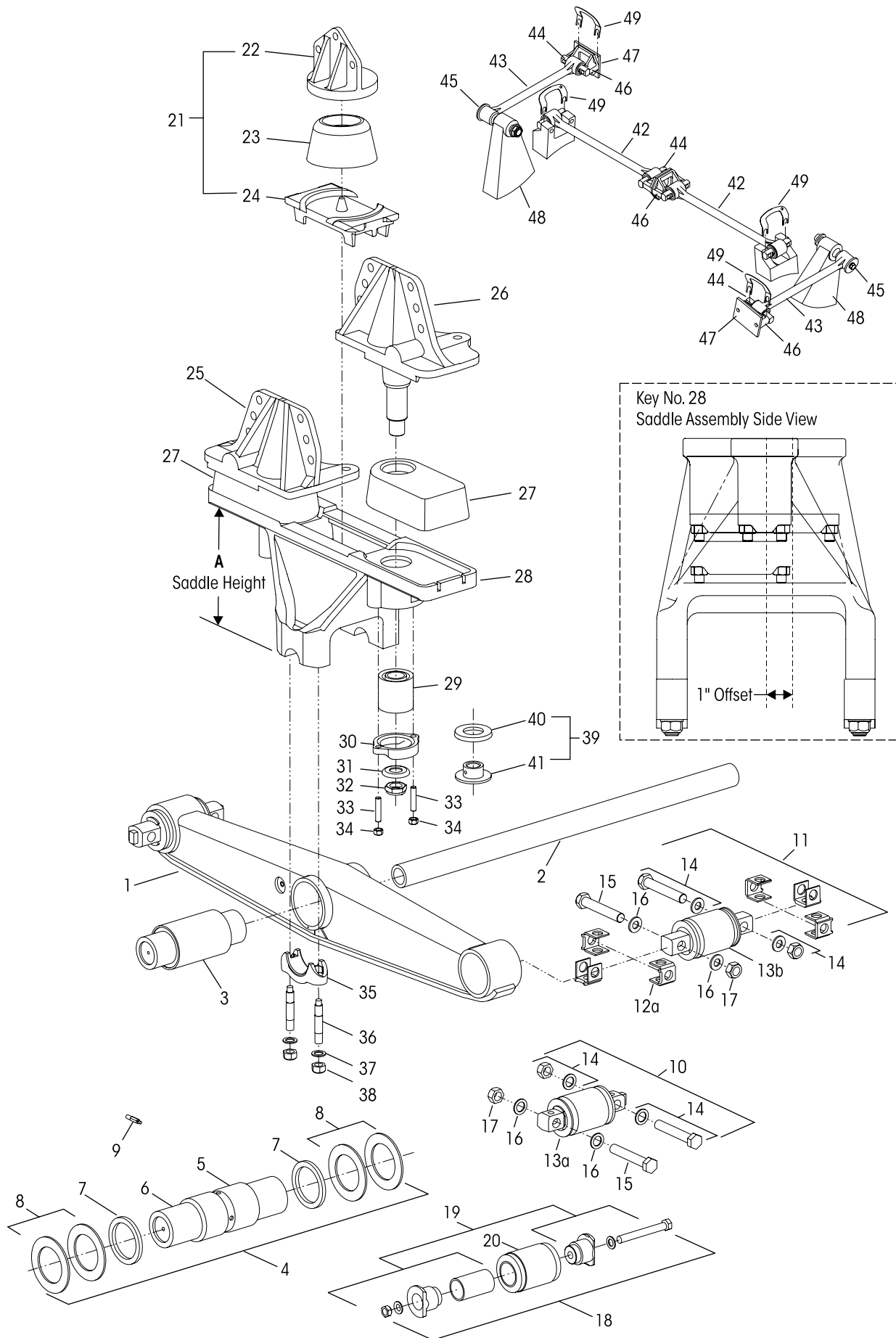


RS 65K



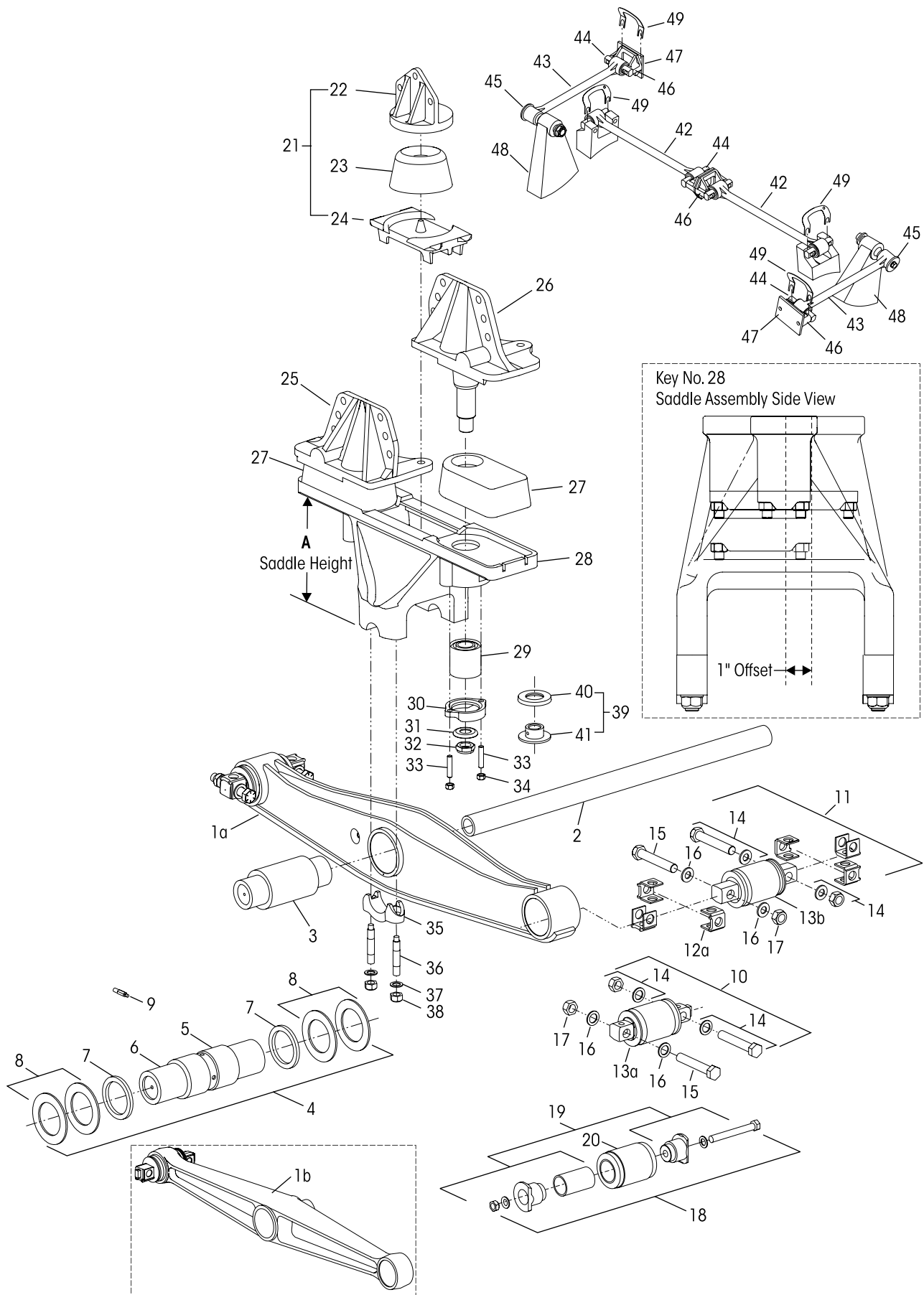
RS 85K • 100K • 120K





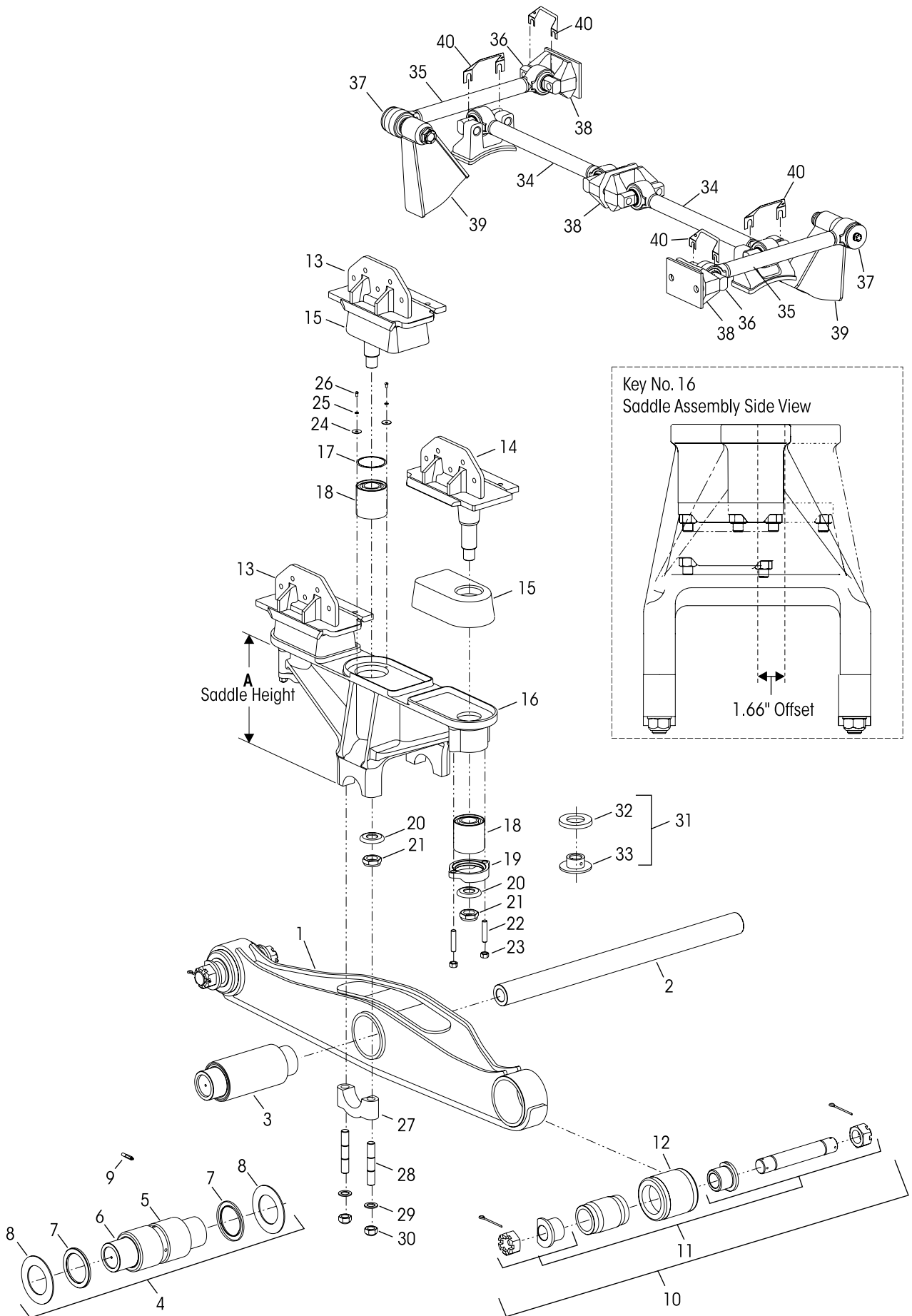


			VEHICLE				VEHICLE
KEY NO.	PART NO.	DESCRIPTION	QTY.	KEY NO.	PART NO.	DESCRIPTION	QTY.
1		Equalizing Beam Assembly <i>See Selection Guide 45745-147</i>	2	27	26953-000L	Load Cushion, 70 Durometer	4
2	44643-XXX	Cross Tube, <i>See Selection Guide on Page 11</i>	1	28		Saddle Assembly, <i>See Dim. A</i> , Includes Key Nos. 29-30, 33-38	2
3		Rubber Center Bushing, <i>See Center Bushing End Plug Selection Guide on Page 11</i>	2		08606-160	• 12¼" Height, (Casting No. 66784-001) <i>Replaces 08606-067 (Casting No. 10711-001)</i>	
	49400-000L	RS 40K Welded End Plug			08606-162	• 127/8" Height, (Casting No. 66784-005) <i>Replaces 08606-107 (Casting No. 10711-005)</i>	
	49600-000L	RS 40K w/Loose End Plug			08606-164	• 14" Height, (Casting No. 66784-002) <i>Replaces 08606-080 (Casting No. 10711-002)</i>	
	29483-005L	RS 46K, Requires Transverse Torque Rods			08606-166	• 15¼" Height, (Casting No. 66784-003) <i>Replaces 08606-081 (Casting No. 10711-003)</i>	
	34013-097L	RS 46K w/Loose End Plug, Requires Transverse Torque Rods			34013-061	Single Vertical Drive Bushing Service Kit , Includes Key Nos. 29-34	
4	30437-000L	Bronze Center Bushing Service Kit, Two Beams , Includes Key Nos. 5-9		29	19279-000L	Vertical Drive Bushing	4
5	30240-002	Bronze Center Bushing	2	30	05917-000	Vertical Drive Bushing Cap	4
6	14685-000L	Beam Center Sleeve	2	31	08536-000	1½" Concave Washer	4
7	30334-000	Beam Center Seal	4	32	25151-000	1½"-12 UNF Nylocknut	4
8	32365-000	Thrust Washer	8	33	19111-001	5/8"-18 UNF Drive Bushing Cap Stud	8
9	30087-000	Grease Fitting	2	34	19114-000	5/8"-18 UNF Drive Bushing Cap Stud Locknut	8
		Bar Pin End Bushing Service Kit, One Wheel End		35	58795-000	Saddle Cap	4
10	34013-087L	Non-Shim Type, Includes Key Nos. 13a, 14		36	09030-000	7/8"-14 UNF-9 UNC Saddle Cap Stud	8
11	34013-088L	Shim Type, Includes Key Nos. 12a, 13b, 14		37	22962-002	7/8" Saddle Cap Stud Hardened Washer	8
Not Shown	34013-188L	Rotating Shim Type, Includes Key Nos. 12a, 13c, 14		38	04842-000	7/8"-14 UNF Saddle Cap Locknut	8
12		Bar Pin Shim	8	39		Optional Rebound Control Stop Nut Service Kit , Includes Key Nos. 40-41	
a	50131-000	0.25" / 0.12" Standard			31005-001	One Side	
b	50130-000	0.19" / 0.19" Optional			31005-002	Both Sides	
c	57026-000	0.375" Optional flat shim		40	30208-000	Rebound Bumper	As Req.
13		**Bar Pin End Bushing	4	41	30251-000	Stop Nut	As Req.
a		Non-Shim Type		42		***One-piece Longitudinal Torque Rod Assembly , Straddle/Straddle, Specify Length in mm ULTRA ROD®, Includes Key No. 44	
b		Shim Type			62000-XXX	Front	1
c		Rotating, Shim Type (Not Shown)			62001-XXX	Rear	1
14	34013-104	Bar Pin End Bushing Fastener Kit, One Wheel End , Includes Key Nos. 15-17			8240-00XX-XXX	****TRAAX ROD™, <i>Replaces 72000-XXX and 72001-XXX</i>	2
15		**1"-8 UNC Hex Bolt	8	43		****One-piece Transverse Torque Rod Assembly , 2 Straddle/Taper, Specify Length in mm ULTRA ROD, Includes Key Nos. 44-45	
16		**1" Hardened Washer	16		62350-XXX	ULTRA ROD, Includes Key Nos. 44-45	
17		**1"-8 UNC Locknut	8		8244-0099-XXX	****TRAAX ROD, <i>Replaces 72350-XXX</i>	
					8233-0099-XXX	****TRAAX ROD, <i>Replaces 92350-XXX</i>	
18		Rubber End Bushing and Adapter Service Kit, One Wheel End		44	47691-000L	Straddle Bushing	6
	34013-049L	RS 40K, Includes Key Nos. 19a, 20		45	64697-000L	Taper Bushing	2
	34013-073L	RS 46K, Includes Key Nos. 19b, 20				Two-Piece Torque Rod Assembly with Bushings Service Kit	
19		Adapter w/o Bushing Service Kit, One Wheel End			60218-000	ULTRA ROD Straddle/Straddle	
a	45000-007L	RS 40K			60215-000	ULTRA ROD Straddle/Taper	
b	21140-034L	RS 46K			65781-000	ULTRA ROD PLUS Straddle/Taper	
20	45900-000L	Rubber End Bushing	4		65781-001	XTRB Straddle/Straddle	
21		Heavy-Duty/Load Cushion Service Kit, Two Beams , Includes Key Nos. 22-24 Standard on RS 46K, Optional on RS 40K			65781-002	XTRB Straddle/Taper	
	20681-072	34" Frame Width		46	22186-000	Torque Rod Bracket	4
	20681-077	34½" Frame Width		47	45045-003	Back-up Plate (for Torque Rod)	2
22		Frame Hanger	2	48		*Transverse Rod Axle Bracket	2
	48523-001	34" Frame Width		49	49689-000L	Torque Rod Shim	As Req.
	48525-001	34½" Frame Width		Not Shown	70867-001	P-80 Lubricant - 10 ml	Per Rubber Bushing 1
23	24209-000	Heavy-Duty Load Cushion	2				
24	20781-000	Saddle Plate	2				
		Frame Hanger, Includes Key Nos. 31-32, <i>See Selection Guide 45745-037</i>					
25		LH Front/RH Rear	2				
26		RH Front/LH Rear	2				





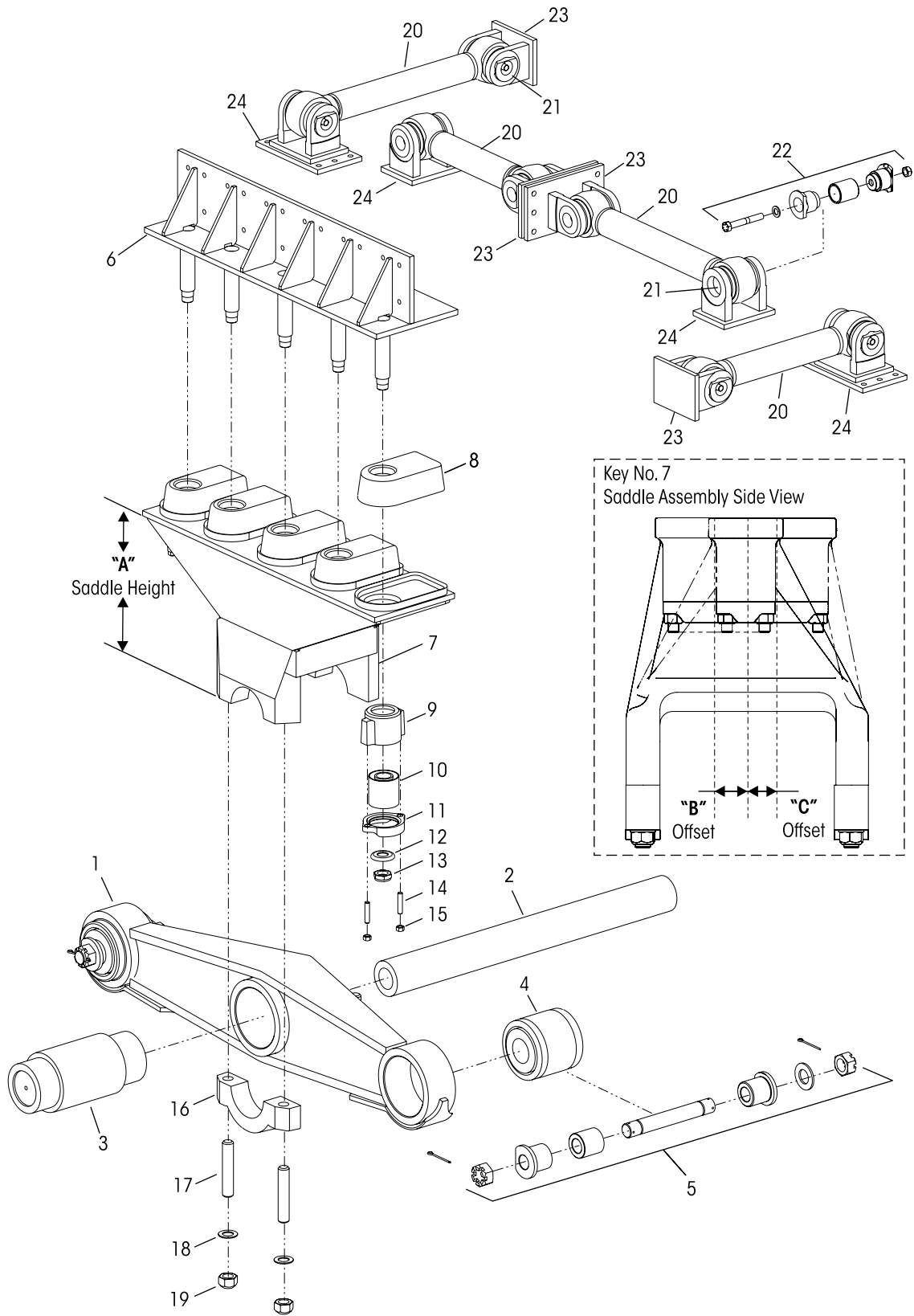
			VEHICLE				VEHICLE
KEY NO.	PART NO.	DESCRIPTION	QTY.	KEY NO.	PART NO.	DESCRIPTION	QTY.
1		Equalizing Beam Assembly <i>See Selection Guide 45745-147</i>	2			Frame Hanger, Includes Key Nos. 31-32, <i>See RS Hanger Selection Guide 45745-037</i>	
a		Fabricated Beam		25		LH Front/RH Rear	2
b		Cast Beam		26		RH Front/LH Rear	2
2		Cross Tube, <i>See Selection Guide on Page 11</i>	1	27	26953-000L	Load Cushion, 70 Durometer	4
	44643-XXX	RS 48K		28		Saddle Assembly, <i>See Dim. A</i> , Includes Key Nos. 29-30, 33-38	2
	07622-XXX	RS 52K			08606-160	• 12¼" Height, (Casting No. 66784-001) <i>Replaces 08606-132 (Casting No. 10711-001)</i>	
3		Rubber Center Bushing <i>See Center Bushing End Plug Selection Guide on Page 11</i>	2		08606-162	• 127/8" Height, (Casting No. 66784-005) <i>Replaces 08606-136 (Casting No. 10711-005)</i>	
	29483-005L	Welded End Plug			08606-164	• 14" Height, (Casting No. 66784-002) <i>Replaces 08606-133 (Casting No. 10711-002)</i>	
	34013-097L	w/Loose End Plug, Optional, Requires Transverse Torque Rods			08606-166	• 15¼" Height, (Casting No. 66784-003) <i>Replaces 08606-134 (Casting No. 10711-003)</i>	
4	30437-000L	Bronze Center Bushing Service Kit, Two Beams, Includes Key Nos. 5-9			34013-061	Single Vertical Drive Bushing Service Kit, Includes Key Nos. 29-34	
5	30240-002	Bronze Center Bushing	2	29	19279-000L	Vertical Drive Bushing	4
6	14685-000L	Beam Center Sleeve	2	30	05917-000	Vertical Drive Bushing Cap	4
7	30334-000	Beam Center Seal	4	31	08536-000	1½" Concave Washer	4
8	32365-000	Thrust Washer	8	32	25151-000	1½"-12 UNF Nylocknut	4
9	30087-000	Grease Fitting	2	33	19111-001	5/8"-18 UNF Drive Bushing Cap Stud	8
		Bar Pin End Bushing Service Kit, One Wheel End		34	19114-000	5/8"-18 UNF Drive Bushing Cap Stud Locknut	8
10	34013-087L	Non-Shim Type, Includes Key Nos. 13a, 14		35	58795-000	Saddle Cap	4
11	34013-088L	Shim Type, Includes Key Nos. 12a, 13b, 14		36	09030-000	7/8"-14 UNF/9 UNC Saddle Cap Stud	8
Not Shown	34013-188L	Rotating Shim Type, Includes Key Nos. 12a, 13c, 14		37	22962-002	7/8" Saddle Cap Stud Hardened Washer	8
12		Bar Pin Shim	8	38	04842-000	7/8"-14 UNF Saddle Cap Locknut	8
a	50131-000	0.25" / 0.12" Standard		39		Optional Rebound Control Stop Service Nut Kit, Includes Key Nos. 40-41	
b	50130-000	0.19" / 0.19" Optional			31005-001	One Side	
c	57026-000	0.375" Optional flat shim			31005-002	Both Sides	
13		*Bar Pin End Bushing	4	40	30208-000	Rebound Bumper	As Req.
a		*Non-Shim Type		41	30251-000	Stop Nut	As Req.
b		*Shim Type		42		***One-piece Longitudinal Torque Rod Assembly, Straddle/Straddle, Specify Length in mm ULTRA ROD®, Includes Key No. 44	
c		*Rotating, Shim Type (Not Shown)			62000-XXX	Front	1
14	34013-104	Bar Pin End Bushing Fastener Kit, One Wheel End, Includes Key Nos. 15-17			62001-XXX	Rear	1
15		**1"-8 UNC Hex Bolt	8		8240-00XX-XXX	****TRAAX ROD™, <i>Replaces 72000-XXX and 72001-XXX</i>	2
16		**1" Hardened Washer	16	43		****One-piece Transverse Torque Rod Assembly, Straddle/Taper, Specify Length in mm ULTRA ROD, Includes Key Nos. 44-45 ****TRAAX ROD, <i>Replaces 72350-XXX</i> ****TRAAX ROD, <i>Replaces 92350-XXX</i>	
17		**1"-8 UNC Locknut	8		62350-XXX		
18		End Bushing and Adapter Service Kit, One Wheel End,			8244-0099-XXX		
	34013-050L	RS 48K • 52K, Includes Key Nos. 19a, 20			8233-0099-XXX		
	34013-051L	RS 52K, Includes Key Nos. 19b, 20		44	47691-000L	Straddle Bushing	6
19		End Bushing Adapter Style Service Kit, One Wheel End		45	64697-000L	Taper Bushing	2
a	21140-034L	RS 48K • 52K				Two-Piece Torque Rod Assembly with Bushings Service Kit	
b	21140-033L	RS 52K			60218-000	ULTRA ROD Straddle/Straddle	
20		Adapter Style End Bushing			60215-000	ULTRA ROD Straddle/Taper	
	29878-001L	RS 48K			65781-000	ULTRA ROD PLUS Straddle/Taper	
	45407-000L	RS 52K			65781-001	XTRB Straddle/Straddle	
21		Heavy-Duty Load Cushion Service Kit, Two Beams, Includes Key Nos. 22-24 Standard on RS 52K			65781-002	XTRB Straddle/Taper	
	20681-072	34" Frame Width		46	22186-000	Torque Rod Bracket	4
	20681-077	34½" Frame Width		47	45045-003	Back-up Plate (for Torque Rod)	2
22		Frame Hanger	2	48		*Transverse Rod Axle Bracket	2
	48523-001	34" Frame Width		49	49689-000L	Torque Rod Shim	As Req.
	48525-001	34½" Frame Width		Not Shown	70867-001	P-80 Lubricant - 10 ml	Per Rubber Bushing 1
23	24209-000	Heavy-Duty Load Cushion	2				
24	20781-000	Saddle Plate	2				





KEY NO.	PART NO.	DESCRIPTION	VEHICLE QTY.
1		Equalizing Beam Assembly <i>See Selection Guide 45745-147</i>	2
2	10397-XXX	Cross Tube, <i>See Selection Guide on Page 11</i>	1
3	10366-000L	Rubber Center Bushing	2
4		Bronze Center Bushing Service Kit , Includes Key Nos. 5-9	
	34013-055L	One Beam	
	45374-000	Two Beams	
5	30240-005	Bronze Center Bushing	2
6	25102-000	Beam Center Sleeve	2
7	31577-000	Beam Center Seal	4
8	45261-000	Thrust Washer	4
9	30087-000	Grease Fitting	2
10		Rubber End Bushing and Adapter Service Kit, Tandem Set	
	34013-052	for 6" Bushing, Includes Key Nos. 11a, 12a	
	34013-110	for 7" Bushing, Includes Key Nos. 11b, 12b	
11		End Bushing Adapter Service Kit, One Wheel End	
a	21140-007L	6" Length	
b	21140-004L	7" Length	
12		End Bushing	4
a	10363-000	6" Length	
b	10364-000	7" Length	
		Frame Hanger, Includes Key Nos. 20-21, <i>See Selection Guide 45745-037</i>	
13		**LH Front/RH Rear	4
14		**RH Front/LH Rear	2
15	26953-000L	Load Cushion, 70 Durometer	6
16		Saddle Assembly, <i>See Dim. A</i> , Includes Key 17-19, 22-30	2
	08606-082	15" Height	
	08606-128	17¼" Height	
	08606-127	18" Height	
	08606-126	19" Height	
17	22586-000L	Saddle Bearing Ring	2
	34013-232	Single Vertical Drive Bushing Service Kit , Includes Key Nos. 18-23	

KEY NO.	PART NO.	DESCRIPTION	VEHICLE QTY.
18	19279-000L	Vertical Drive Bushing	6
19	05917-000	Vertical Drive Bushing Cap	4
20	08536-000	1½" Concave Washer	6
21	25151-000	1½"-12 UNF Nylocknut	6
22	19111-004	5/8"-18 UNF Drive Bushing Cap Stud	8
23	19114-000	5/8"-18 UNF Drive Bushing Cap Stud Locknut	8
24	17487-000	Drive Bushing Retainer Washer	4
25	17497-001	Drive Bushing Retainer Lock Washer	4
26	17860-003	Drive Bushing Retainer Lock Screw	4
27	15785-000	Saddle Cap	4
28	10948-000	1"-14 UNS Saddle Cap Stud	8
29	22962-008	1" Saddle Cap Flat Washer	8
30	08017-000	1"-14 UNS Saddle Cap Locknut	8
31		Optional Rebound Control Stop Nut Service Kit , Includes Key Nos. 32-33	
	31005-001	One Side	
	31005-002	Both Sides	
32	30208-000	Rebound Bumper	As Req.
33	30251-000	Stop Nut	As Req.
34		***One-piece Longitudinal Torque Rod Assembly, 2 Straddle/Straddle, Specify Length in mm	2
	8232-0000-XXX	****TRAAX ROD™, <i>Replaces 72100-XXX</i>	
35		****One-piece Transverse Torque Rod Assembly, 2 Straddle/Taper, Specify Length in mm	2
	72850-XXX	ULTRA ROD PLUS, Includes Key Nos. 36a-37a	
	92950-XXX	XTRB, Includes Key Nos. 36b-37b	
36		Straddle Bushing	6
a	64400-003L	ULTRA ROD PLUS	
b	66649-003L	XTRB	
37		Taper Bushing	2
a	64400-006L	ULTRA ROD PLUS	
b	66649-004L	XTRB	
38	46015-000	Torque Rod Bracket	4
39		*Transverse Torque Rod Axle Bracket	2
40	67779-002	Torque Rod Shim	As Req.
Not Shown	70867-001	P-80 Lubricant - 10 ml	Per Rubber Bushing 1





KEY NO.	PART NO.	DESCRIPTION	VEHICLE QTY.	KEY NO.	PART NO.	DESCRIPTION	VEHICLE QTY.
1		Equalizing Beam Assembly Includes Key Nos. 3, 4 • RS 85K	2	7		Saddle Assembly, <i>See Dim. A, B and C,</i> Includes Key Nos. 10-11, 14-15 • RS 85K	2
	07500-620	58" Length			08606-141	A = 15" Height, Offset B = 2", C = 0"	
	07500-604	60" Length			08606-142	A = 15 ⁷ / ₈ " Height, Offset B = 1 ³ / ₄ ", C = 0"	
	07500-180	64" Length			08606-131	A = 16 ³ / ₄ " Height, Offset B = 0", C = 0"	
	07500-624	72" Length, <i>Replaces 07500-068</i>			08606-143	A = 16 ³ / ₄ " Height, Offset B = 0", C = 2"	
	07500-432	75" Length			08606-151	A = 17 ⁷ / ₈ " Height, Offset B = 0", C = 0"	
		• RS 100K • 120K			08606-156	A = 17 ⁷ / ₈ " Height, Offset B = 0", C = 2"	
	07500-579	64" Length				• RS 100K	
	07500-615	80" Length			08606-154	A = 20" Height, Offset B and C = 0"	
2		Cross Tube, <i>See Selection Guide on Page 11</i>	1		08606-155	A = 21 ¹ / ₄ " Height, Offset B and C = 0"	
	10397-XXX	RS 85K, Specify Length				• RS 120K	
	13504-XXX	RS 100K, Specify Length			08606-167	A = 20" Height, Offset B = 0", C = 1"	
3		Rubber Center Bushing, One per Beam	2	Quantities for Key Nos. 8 through 15 vary per capacity, See Table 1 below			
	15464-000	RS 85K		8	26953-000L	Load Cushion, 70 Durometer	
	14110-000	RS 100K		9	13774-000	Vertical Drive Bushing Retainer	
4		End Bushing	4		34013-232	Single Vertical Drive Bushing Service Kit, Includes Key Nos. 10-15	
	10363-000L	RS 85K - 6" Length		10	19279-000	Vertical Drive Bushing	
	10364-000L	RS 85K - 7" Length		11	05917-000	Vertical Drive Bushing Cap	
	15424-000L	RS 100K - 7 ³ / ₄ " Length		12	08536-000	1 ¹ / ₂ " Concave Washer	
5		End Bushing Adapter Service Kit, One Wheel End		13	25151-000	1 ¹ / ₂ "-12 UNF Nylocknut	
	21140-026	RS 85K - with Adapter Tube		14	19111-004	5/8"-18 UNF Drive Bushing Cap Stud	
	21140-043	RS 85K - with Special Nut		15	19114-000	5/8"-18 UNF Drive Bushing Cap Stud Locknut	
	21140-024	RS 100K - with Adapter Tube		16		Saddle Cap	4
	21140-042	RS 100K - with Tube and Nut			15785-000	RS 85K	
6		Frame Hanger	2		47552-000	RS 100K • 120K	
		• RS 85K		17		Saddle Cap Stud	8
	57964-000	-5/8" Offset			10948-000	RS 85K - 1"-14 UNS	
	48742-000	-1 ¹ / ₄ " Offset			13411-000	RS 100K • 120K - 1 ¹ / ₂ "-12 UNF	
	47390-000	1/4" Offset		18		Saddle Cap Flat Washer	8
	59415-000	3/8" Offset			22962-006	RS 85K - 1"	
	48744-000	1 ¹ / ₂ " Offset			22962-030	RS 100K • 120K - 1 ¹ / ₂ "	
		• RS 100K		19		Saddle Cap Locknut	8
	59413-000	2 ¹ / ₄ " Offset			08017-000	RS 85K - 1"-14 UNS	
	58496-000	3/8" Offset			47042-000	RS 100K • 120K - 1 ¹ / ₂ "-12 UNF	
	56750-000	1" Offset		20	13422-XXX	Torque Rod Assembly, <i>See Selection Guide on Page 12</i>	4
	70988-000	• RS 120K, -3/4" Offset		21	06966-000	Straddle Torque Rod Bushing	8
				22	45000-011	Torque Rod End Adapter Kit	8
				23	65133-000	Torque Rod Bracket	4
				24		Torque Rod Axle Bracket	4
						*RS 85K • 100K	
					47924-000	RS 120K	

Quantities required per suspension for Key Nos. 8-15				
	RS 85K	RS 100K	RS 120K	RS 120K with 64" Beam
Key Nos. 8-13	8	10	10	12
Key Nos. 14-15	16	20	20	24



■ Special Tools

BAR PIN STYLE END BUSHING TOOLS

INSTALLATION TOOL

Hendrickson Part No. 66086-103

OTC Part No. 1757

Visit otctools.com



Use with the equalizing beam removed from the truck, and in conjunction with OTC No. 51100 press plate and a 100-ton hydraulic shop press.

REMOVAL TOOLS

Hendrickson Part No. 66086-104

OTC Part No. 206457

Visit otctools.com



Hendrickson Part No. 66086-105

OTC Part No. 302030

Visit otctools.com



ADAPTER STYLE END BUSHING TOOL SET • RUBBER CENTER BUSHING



28K-52K lb. Capacity Bushings

Hendrickson Part No. 66086-102

OTC Part No. 1764

Visit otctools.com

Use with the equalizing beam removed from the truck and a 100-ton or larger hydraulic shop press.



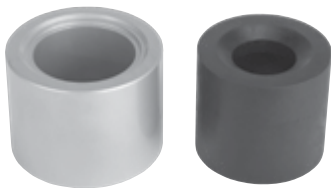
65K-85K lb. Capacity Bushings

Hendrickson Part No. 66086-101

OTC Part No. 1763

Visit otctools.com

RUBBER CENTER BUSHING TOOLS



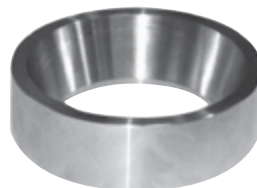
40K lb. Capacity Bushings

Hendrickson Part No. 66086-100

OTC Part No. 1746

Visit otctools.com

TORQUE ROD BUSHING FUNNEL TOOLS



ULTRA ROD

Hendrickson Part No. 66086-001L

ULTRA ROD PLUS

Hendrickson Part No. 66086-000L



■ Selection Guides

KEY NO. 2

Cross Tubes							
RS 40K • 46K • 48K		RS 52K		♦RS 65K • 85K		♦RS 100K • 120K	
Length	Part Number	Length	Part Number	Length	Part Number	Length	Part Number
33 $\frac{3}{8}$ "	44643-027	46"	07622-003	34 $\frac{3}{4}$ "	10397-015	44 $\frac{1}{2}$ "	13504-004
40 $\frac{3}{4}$ "	44643-011	53"	07622-018	40"	10397-018	46"	13504-008
42"	44643-008	64"	07622-031	40 $\frac{3}{4}$ "	10397-014	46 $\frac{3}{4}$ "	13504-002
44 $\frac{1}{8}$ "	44643-009	68"	07622-014	41"	10397-019	49"	13504-001
46"	44643-003			41 $\frac{3}{4}$ "	10397-009	50 $\frac{3}{4}$ "	13504-009
47"	44643-002			42"	10397-001	53"	13504-012
48"	44643-001			42 $\frac{1}{2}$ "	10397-021	54 $\frac{3}{4}$ "	13504-006
49 $\frac{1}{4}$ "	44643-024			43 $\frac{1}{4}$ "	10397-017	56"	13504-013
51"	44643-015			44 $\frac{3}{4}$ "	10397-002	59"	13504-005
53"	44643-018			46"	10397-010	60 $\frac{1}{4}$ "	13504-003
54 $\frac{1}{2}$ "	44643-017			46 $\frac{1}{2}$ "	10397-020	62 $\frac{1}{4}$ "	13504-011
57"	44643-010			47 $\frac{1}{2}$ "	10397-027		
64"	44643-028			50"	10397-013		
68"	44643-014			51 $\frac{1}{4}$ "	10397-003		
77"	44643-029			52 $\frac{3}{4}$ "	10397-006		
				54"	10397-025		
				56 $\frac{1}{2}$ "	10397-016		
				61 $\frac{1}{4}$ "	10397-008		
				62 $\frac{3}{4}$ "	10397-031		
				67 $\frac{1}{2}$ "	10397-004		
				75 $\frac{3}{4}$ "	10397-029		

KEY NO. 3 • Pages 3 and 5

♦Corresponding Center Bushing End Plugs for Cross Tube Replacement – 40K through 52K Only

	Rubber Center Bushing Part Number	End Plug Part Number	Beam Center Sleeve Bushing Part Number	End Plug Part Number
40K • 46K	49400-000L • 49600-000L	22281-000	14685-000L	57263-000
40K • 46K • 48K • 52K	29483-005L • 34013-097L			

♦ Hendrickson recommends for higher capacity walking beam suspensions removal of the equalizing beam to replace the cross tube. Refer to Hendrickson publication No. 17730-064 for more information.

NOTE: * Not supplied by Hendrickson, used for reference only. Hendrickson is not responsible for components supplied by the vehicle manufacturer. For assistance with maintenance and rebuild instructions on these components see vehicle manufacturer.

** Item included in kit/assembly only, part not sold separately.

*** Hendrickson's part number is stamped on the torque rod for identification. Be sure to include the suffix number when ordering, this number indicates rod length. Hendrickson's two-piece ULTRA ROD • ULTRA ROD PLUS can be used to create the desired length, refer to Hendrickson Lit. No. 45745-148.

**** Transverse torque rods are mandatory for the RT/RTE rear suspension regardless of axle spacing, refer to Hendrickson Literature No. 59310-004 and 59310-058.

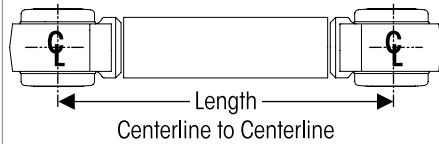
***** Longitudinal and transverse TRAAX Rod bushings are non-serviceable, the entire torque rod assembly requires replacement. Visit TRAAX ROD website www.traaxrods.com for more information.



■ Selection Guide (cont.)

Key No. 20 • Page 9

Torque Rod Assembly – RS 85K • 100K • 120K



Length	Part No.	Length	Part No.	Length	Part No.
16¼"	13422-019	23½"	13422-044	28"	13422-070
18¾"	13422-060	23¾"	13422-014	28½"	13422-024
19½"	13422-036	24"	13422-027	29¼"	13422-046
20"	13422-013	24⅝"	13422-052	29½"	13422-071
20½"	13422-067	24½"	13422-017	30"	13422-009
21"	13422-056	24¾"	13422-055	30¾"	13422-018
21⅛"	13422-022	25"	13422-031	31"	13422-025
21¼"	13422-064	25½"	13422-023	31¾"	13422-020
21⅝"	◆13422-053	26"	13422-005	32"	13422-012
21½"	13422-039	26½"	13422-002	32½"	13422-004
21¾"	13422-068	26¾"	13422-010	33"	13422-003
22"	13422-029	27"	13422-033	35"	13422-008
22½"	13422-026	27¼"	13422-011	35⅝"	13422-061
22¾"	13422-069	27½"	13422-040	36"	13422-001
23"	13422-063	27¾"	13422-045	40"	13422-037

◆ No longer available, replaced by 13422-064

This is a general parts list to provide directional information. Components may vary by model. Questions in regards to parts, contact Hendrickson Truck Parts at 1.866.755.5968 (Toll-free U.S. and Canada), 630.910.2800 (Outside U.S. and Canada) or e-mail: truckparts@hendrickson-intl.com.

Actual product performance may vary depending upon vehicle configuration, operation, service and other factors.

All applications must comply with applicable Hendrickson specifications and must be approved by the respective vehicle manufacturer with the vehicle in its original, as-built configuration.

Contact Hendrickson for additional details regarding specifications, applications, capacities, and operation, service and maintenance instructions.

Call your truck dealer or Hendrickson at **1.866.755.5968** (toll-free) or **1.630.910.2800** for additional information.



www.hendrickson-intl.com

SP-166 Rev F 01-17

© 2004 – 2017 Hendrickson USA, L.L.C. All Rights Reserved. All trademarks shown are owned by Hendrickson USA, L.L.C., or one of the affiliates, in one or more countries.

Information contained in this literature was accurate at the time of publication. Product changes may have been made after the copyright date that are not reflected.

TRUCK COMMERCIAL VEHICLE SYSTEMS
 800 South Frontage Road
 Woodridge, IL 60517-4904 USA
 1.866.755.5968 (Toll-free U.S. and Canada)
 1.630.910.2800 (Outside U.S. and Canada)
 Fax 1.630.910.2899

Printed in United States of America