

H PARTS LIST

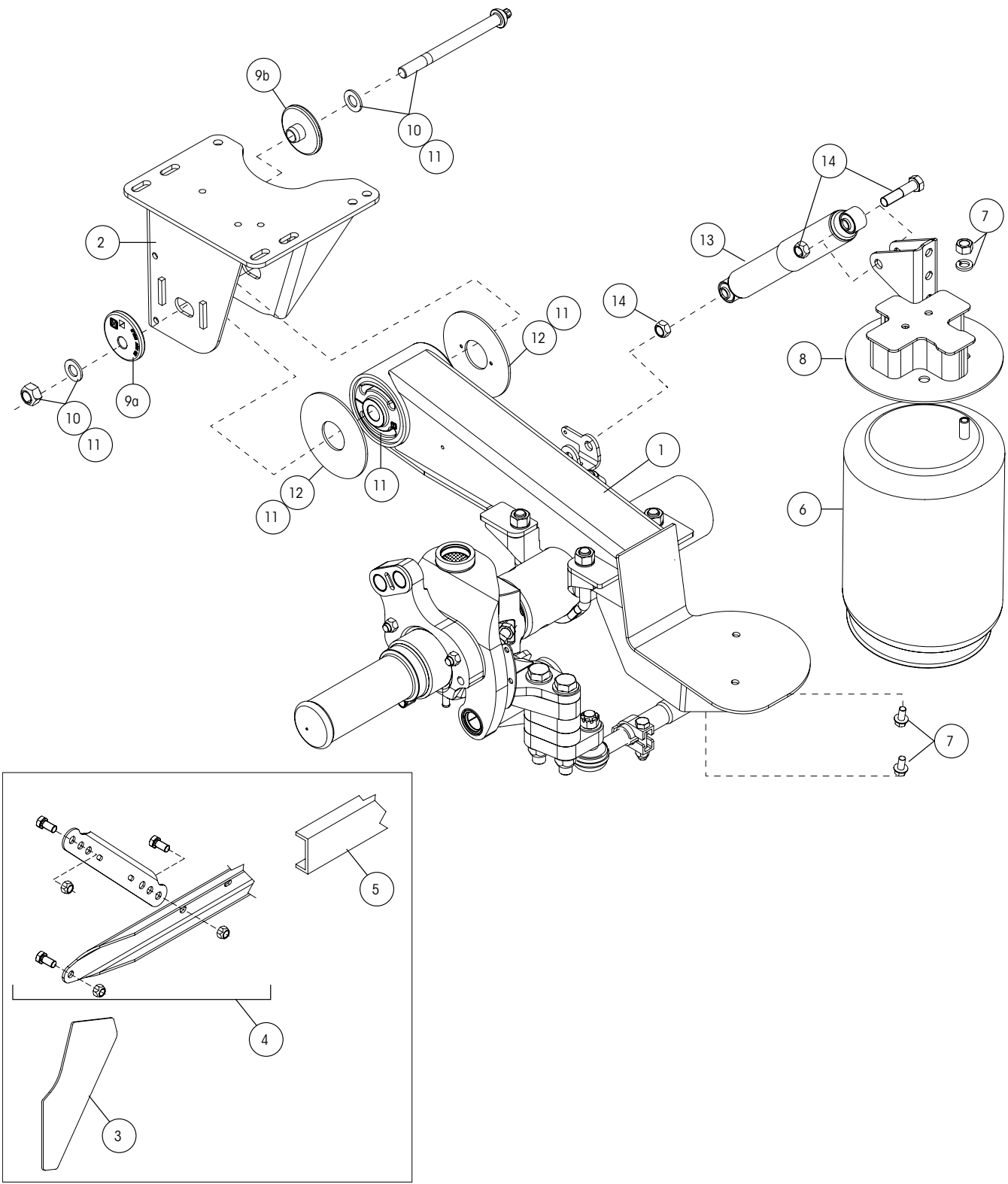
CONNEX® ST CXSL 25K

LIT NO: L1277

DATE: March 2021

REVISION: E







| ITEM | DESCRIPTION | PART NO. | QTY. | NOTE |
|------|--|----------------|------|--|
| 1 | AXLE / BEAM WELDMENT | | 1 | Contact Hendrickson for assistance |
| 2 | FRAME BRACKET ¹ | | 2 | See L1266 Frame Bracket Parts List |
| 3 | FRAME BRACKET GUSSET | S-27330 | 2 | Winged Weld-On Frame Brackets only |
| 4 | BOLT-ON C-CHANNEL KIT ² | | 1 | |
| | 28.5" beam center | S-31901-6 | 1 | |
| | 30.0" beam center | S-31901-7 | 1 | |
| | 32.5" beam center | S-31901-8 | 1 | |
| | 36.0" beam center | S-31901-10 | 1 | |
| | 36.5" beam center | S-31901-5 | 1 | |
| | 37.5" beam center | S-31901-11 | 1 | |
| | 38.5" beam center | S-31901-12 | 1 | |
| | 39.5" beam center | S-31901-13 | 1 | |
| 5 | WELD-ON C-CHANNEL | | | |
| | 28.5" - 32.5" suspension beam center | A-1631-16 | 1 | |
| | 32.5" - 39.5" suspension beam center | A-1631-19 | 1 | |
| 6 | AIR SPRING | | | |
| | Standard | S-20124 | 2 | |
| | Low Pressure | S-20127 | 2 | |
| 7 | AIR SPRING MOUNTING KIT | S-20033/2 | 2 | Includes: 2 flanged screws, 1 hex nut and 1 lock washer |
| 8 | AIR SPRING SHOCK MOUNT | | | |
| | BOLT-ON³ | | | |
| | 13" - 14" ride height | S-36248-L/R | 1 | No spacer just .25" plate and shock mount |
| | 15" ride height | S-36248-1L/-1R | 1 | 1.19" spacer/plate height and shock mount |
| | 16" ride height | S-36248-2L/-2R | 1 | 2.19" spacer/plate height and shock mount |
| | 17" ride height | S-36248-3L/-3R | 1 | 3.19" spacer/plate height and shock mount |
| | 18" ride height | S-36248-4L/-4R | 1 | 4.19" spacer/plate height and shock mount |
| | 19" ride height | S-36248-5L/-5R | 1 | 5.19" spacer/plate height and shock mount |
| | WELD-ON | | | |
| | 13" - 14" ride height | C-21216-1C/-2C | 1 | No spacer just .19" plate and shock mount |
| | 15" ride height | C-21217-1C/-2C | 1 | 1.00" spacer/plate height and shock mount |
| | 16" ride height | C-21218-1C/-2C | 1 | 2.00" spacer/plate height and shock mount |
| | 17" ride height | C-21219-1C/-2C | 1 | 3.00" spacer/plate height and shock mount |
| | 18" ride height | C-25932-1C/-2C | 1 | 4.00" spacer/plate height and shock mount |
| | 19" ride height | C-21223-1C/-2C | 1 | 5.00" spacer/plate height and shock mount |
| 9 | ALIGNMENT COLLARS | | | |
| | 9a Eccentric | S-20925 | 2 | Pivot bolt hole is offset from center of collar |
| | 9b Concentric | S-20924 | 2 | Pivot bolt hole is in center of collar |
| 10 | QUIK-ALIGN® PIVOT BOLT KIT ⁴ | S-24679 | 2 | Includes: Bolt, hex nut and 2 hardened washers |
| 11 | TRI-FUNCTIONAL® BUSHING KIT ⁵ | S-24691 | 2 | Includes: 1 TRI-FUNCTIONAL Bushing, 1 pivot bolt kit, 2 bushing tube spacers and lube packet |
| 12 | BUSHING TUBE SPACERS | S-21099 | 4 | |
| 13 | SHOCK ABSORBER | | 2 | See L1287 Shock and Shock Strap Parts List |
| 14 | SHOCK BOLT KIT | S-20031/2 | 2 | One kit per shock |
| 15 | SHOCK STRAP KIT (Not Shown) | | 1 | See L1287 Shock and Shock Strap Parts List |

1. Options exist based on frame attachment, frame bracket style, bolt hole pattern and connection. Contact Hendrickson for assistance or refer to L1266 Frame Bracket Parts List.

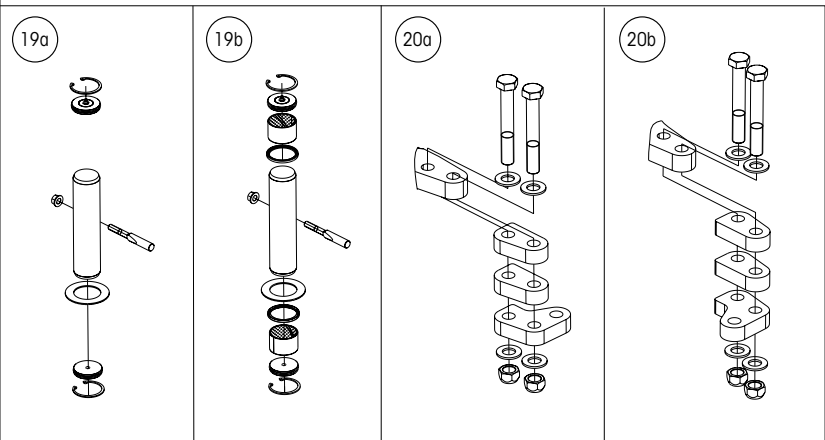
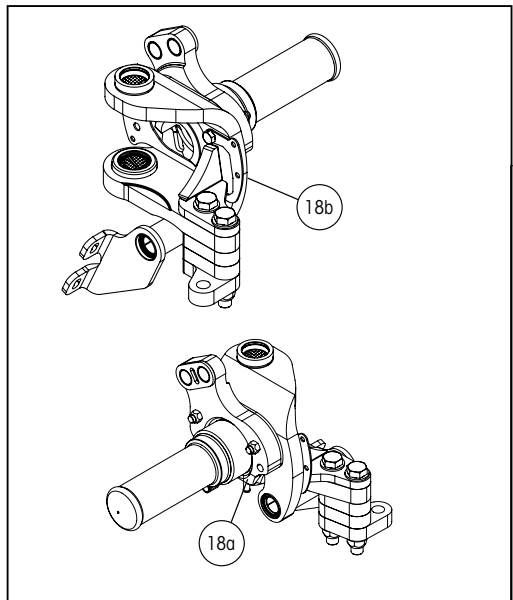
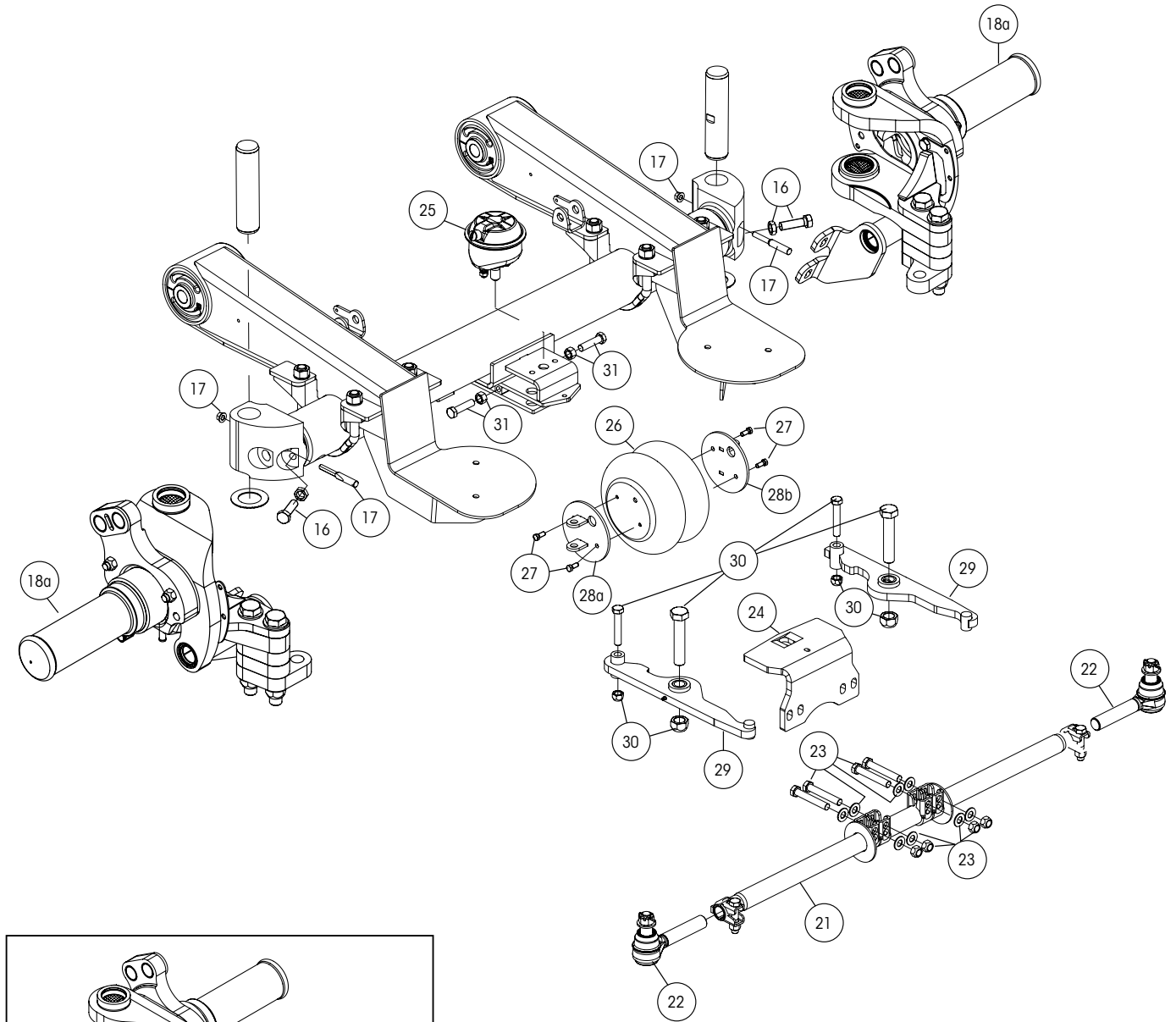
2. Bolt-on c-channel struts are only optional for bolt-on frame brackets. Other options exist for galvanized or different track widths.

3. Other options exist for galvanized. Contact Hendrickson for assistance.

4. Best installed with Hendrickson's E-20 socket S-24536 (1-inch drive sleeveless), S-25119 (1-inch drive sleeve) or S-24303 (3/4-inch drive sleeveless).

5. Bushing tool S-21307 is required to correctly rebush the suspension.

NOTE: Identification tag can be found on the inside of the curbside beam.





STEER AXLE COMPONENTS

| ITEM | DESCRIPTION | PART NO. | QTY. | NOTE |
|------|-----------------------------------|------------|------|---|
| 16 | STOP BOLT KIT | S-38970-1 | 2 | 1 kit per side |
| 17 | DRAW KEY KIT | S-38971-1 | 2 | 1 kit per side |
| 18 | KNUCKLE ASSEMBLY | | | Includes: Tie rod mount kits, bushings and seals only |
| 18a | Roadside | | | |
| | Standard | S-40342-1 | 1 | |
| | TIREMAAX Prepped | S-40342-1T | 1 | |
| 18b | Curbside | | | |
| | Standard | S-40342-2 | 1 | |
| | TIREMAAX Prepped | S-40342-2T | 1 | |
| 19 | KINGPIN KITS | | | |
| 19a | Kingpin Replacement Kit | S-38972-1 | 2 | Includes: Draw key kit, kingpin, thrust washer, cap and retaining ring |
| 19b | Kingpin Overhaul Kit | S-38972-10 | 2 | Includes: Draw key kit, kingpin, thrust washer, bushings, seals, cap and retaining ring |
| 20 | TIE ROD MOUNT KIT | | | |
| 20a | Roadside | S-38973-1L | 1 | For units built before September 2020; includes tie rod mount, spacers and hardware |
| 20b | Curbside | S-38973-1R | 1 | For units built before September 2020; includes tie rod mount, spacers and hardware |
| 20c | Roadside | S-38973-2L | 1 | For units built after September 2020; includes tie rod mount, spacers and hardware |
| 20d | Curbside | S-38973-2R | 1 | For units built after September 2020; includes tie rod mount, spacers and hardware |
| 21 | TIE ROD ASSEMBLY | | | |
| | Axle Track 77.5 | S-37487-2 | 1 | Includes: Tie rod, center bracket clamps, Tie rod ends, castle nut, cotter pin and washer |
| | Axle Track 80.0 and 83.5 | S-37487-3 | 1 | Includes: Tie rod, center bracket clamps, tie rod ends, castle nut, cotter pin and washer |
| | Axle Track 84.0, 85.0 and 86.0 | S-37487-4 | 1 | Includes: Tie rod, center bracket clamps, tie rod ends, castle nut, cotter pin and washer |
| 22 | TIE ROD END | | | |
| 22a | Lefthand Thread | S-38081-1L | 1 | Includes: Tie rod end, castle nut, cotter pin and washer |
| 22b | Righthand Thread | S-38081-1R | 1 | Includes: Tie rod end, castle nut, cotter pin and washer |
| 23 | LOCK STRAIGHT CLAMP BOLT KIT | S-38974-1 | 1 | Includes: Bolts, washers and nuts |
| 24 | LOCK STRAIGHT TIE ROD BRACKET | S-33830 | 1 | |
| 25 | PIN LOCK CHAMBER | S-35065 | 1 | Includes: Bolts, washers and nuts |
| 26 | LOCK STRAIGHT AIR SPRING | S-8768 | 1 | |
| 27 | LOCK STRAIGHT AIR SPRING BOLT KIT | S-38975-1 | 1 | |
| 28 | LOCK STRAIGHT AIR SPRING PLATE | | | |
| 28a | Roadside | S-33832-1 | 1 | |
| 28b | Curbside | S-33832-2 | 1 | |
| 29 | LOCK STRAIGHT ARM ASSEMBLY | S-33829 | 2 | Includes: Arm weldment, bushing and grease zerk |
| 30 | LOCK STRAIGHT ARM BOLT KIT | S-38976-1 | 1 | |
| 31 | LOCK STRAIGHT ARM STOP BOLT KIT | S-38977-1 | 1 | |

*Actual product performance may vary depending upon vehicle configuration, operation, service and other factors.
All applications must comply with applicable Hendrickson specifications and must be approved by the respective vehicle manufacturer with the vehicle in its original, as-built configuration.
Contact Hendrickson for additional details regarding specifications, applications, capacities, and operation, service and maintenance instructions.*

Call Hendrickson at 330.489.0045 or 866.RIDEAIR (743.3247) for additional information.



www.hendrickson-intl.com

TRAILER COMMERCIAL VEHICLE SYSTEMS

2070 Industrial Place SE
Canton, OH 44707-2641 USA
866.RIDEAIR (743.3247)
330.489.0045 • Fax 800.696.4416

Hendrickson Canada

250 Chrysler Drive, Unit #3
Brampton, ON Canada L6S 6B6
800.668.5360
905.789.1030 • Fax 905.789.1033

Hendrickson Mexicana

Circuito El Marqués Sur #29
Parque Industrial El Marqués
Pob. El Colorado, Municipio El Marqués,
Querétaro, México C.P. 76246
+52 (442) 296.3600 • Fax +52 (442) 296.3601

L1277 Rev E 03-21

© 2017 – 2021 Hendrickson USA, L.L.C. All Rights Reserved. All trademarks shown are owned by Hendrickson USA, L.L.C., or one of its affiliates, in one or more countries.
Information contained in this literature was accurate at the time of publication. Product changes may have been made after the copyright date that are not reflected.

Printed in United States of America