

# **H** PARTS LIST

VANTRAX® HKARL 46K  
RAMP READY

LIT NO: L1078

DATE: October 2019

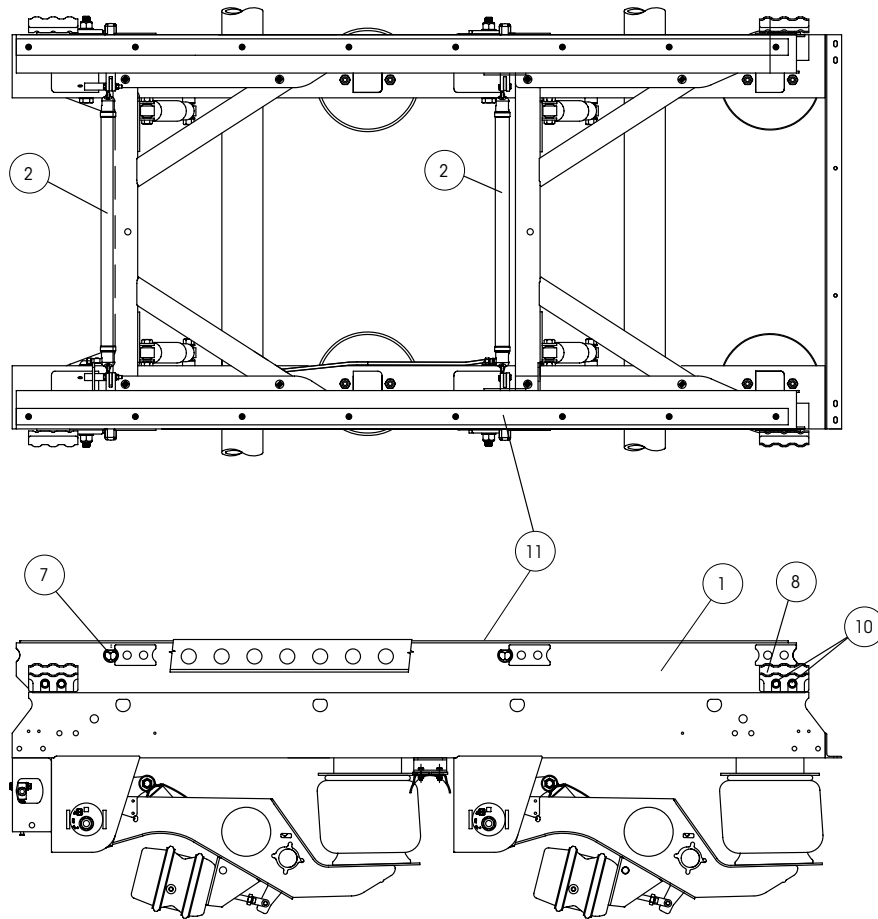
REVISION: G

---



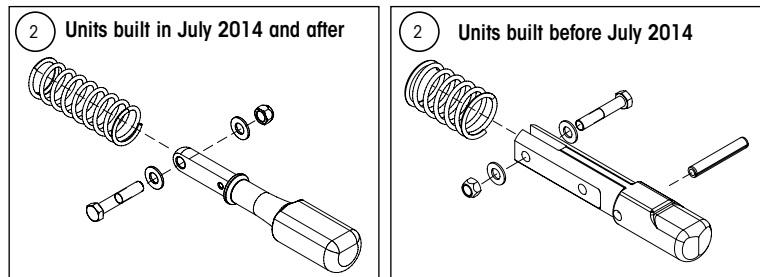
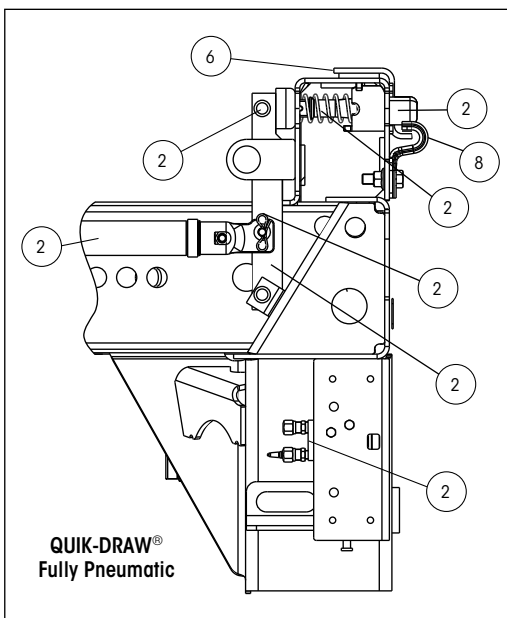


**SLIDER BOX ASSEMBLY**

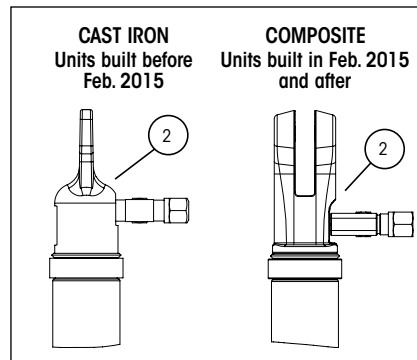


**SLIDER PINS**

**PIN-PULL RELEASE MECHANISM**



**QUIK-DRAW® ACTUATOR ENDS**

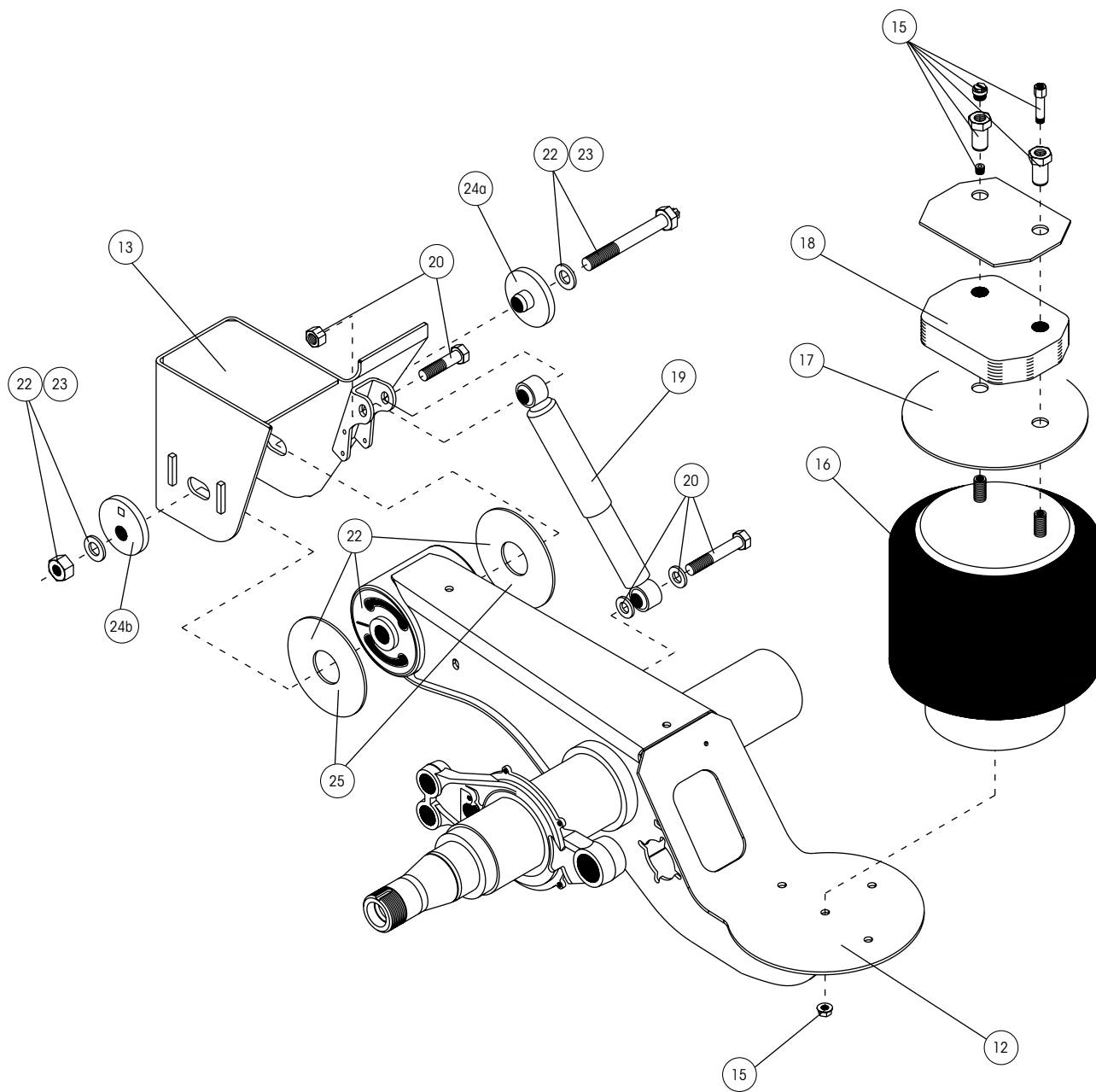




# VANTRAX® HKARL 46K RAMP READY SLIDER PARTS LIST

ITEM	DESCRIPTION	PART NO.	SYSTEM QTY.	NOTE
1	AFTERMARKET SLIDER BOX REPLACEMENT	AMBOX.###	1	Contact Hendrickson for assistance
2	QUIK-DRAW® PNEUMATIC PIN-PULL MECHANISM COMPONENTS			See L751 QUIK-DRAW Parts List
3	CRANK ARM STRAP (not shown)	B-24267	1	
4	CRANK (not shown)	B-24266	2	
5	ARM ACTUATOR (not shown)	B-24437	1	
6	PIPE WELDMENT (not shown)	S-21433-1	1	
7	LINK WELDMENT (not shown)	B-24413	1	
8	BODY RAIL CLIP			
	1.375" Locking Pins	S-24460	4	6" hole centers
		S-24459	4	4" hole centers (TTMA)
	1.625" Locking Pins	S-24459	4	4" hole centers
9	BODY RAIL CLIP SPACER (not shown)	A-22367	4	
10	BODY RAIL CLIP BOLTS	SA-6900-2	8	1/2" - 13 flanged screw
11	SLIDER WEAR PAD KIT	S-14342-3	2	Includes (1) slider wear pad and screws

Note: Identification can be found on the roadside slider box rail above the front frame bracket there will also be a blank VANTRAX tag on the inside of the curbside beam.





# VANTRAA<sup>®</sup> HKARL 46K RAMP READY SLIDER PARTS LIST

ITEM	DESCRIPTION	PART NO.	SYSTEM QTY.	NOTE
12	AXLE BEAM WELDMENT	HTRAAX.###	2	Contact Hendrickson for assistance
13	FRAME BRACKETS			See L1266 Frame Bracket Parts List
14	ABS WELD-ON BRACKET (not shown)	S-27117	4	
15	AIR SPRING MOUNTING KIT	S-22631/2	4	A-22490-5 also required for 9" RH
16	AIR SPRING		4	
	9", 10" and 11" ride height	S-23613	4	
	12" ride height	S-23614	4	
17	AIR SPRING MOUNTING PLATE	S-23294	4	
18	AIR SPRING SPACER	B-22510-2	4	Not required for 9" RH
19	SHOCK ABSORBER			See L1287 Shock Parts List
	Drum Brakes	S-23566	4	
	Air Disc Brakes (not shown)	S-25436	4	
20	SHOCK BOLT KIT	S-24757/2	4	Includes (2) hex head screws and (2) nuts
	Forward Mounting	S-24757/2	4	
	Rear Mounting	S-2157/2	4	
21	SHOCK STRAP KIT (not shown)	C-23086-1	4	Includes (2) straps, clevis and ties
22	TRI-FUNCTIONAL <sup>®</sup> PIVOT BUSHING KIT <sup>1</sup>	S-24691	4	Includes (1) bushings, (1) pivot bolt kits (2) bushing tube spacers and lubricant pack
23	QUIK-ALIGN <sup>®</sup> PIVOT BOLT KIT	S-24679	4	Contains 7" bolt, nut and hardened washers
24	ALIGNMENT COLLAR			
	24a Concentric (inner)	S-20924	4	Pivot bolt hole is centered
	24b Eccentric (outer)	S-20925	4	Pivot bolt hole is offset from center
25	BUSHING TUBE SPACER	S-21099	8	Inner metal outer diameter dimension of TRI-FUNCTIONAL Bushing is 2.2"; inner hole dimension of BTS is 2.38"

## OTHER PARTS LISTS

More information can be found in the following documents

Lit. Number	Description
L1055	SURELOK <sup>®</sup> Parts List
L1102	Slider Accessories and Axle Components Parts List
L949	Wheel-ends and Brakes Parts List
L589	TRI-FUNCTIONAL <sup>®</sup> Bushing Replacement Tool
L1104	Brake Kits and Components Parts List

1. Bushing tool S-21307 is required to correctly re-bush the suspension.

Note: Identification can be found on the roadside slider box rail above the front frame bracket there will also be a blank VANTRAA<sup>®</sup> tag on the inside of the curbside beam.







NOTES:

Multiple horizontal lines for notes.

Actual product performance may vary depending upon vehicle configuration, operation, service and other factors.

All applications must comply with applicable Hendrickson specifications and must be approved by the respective vehicle manufacturer with the vehicle in its original, as-built configuration.

Contact Hendrickson for additional details regarding specifications, applications, capacities, and operation, service and maintenance instructions.

Call Hendrickson at 330.489.0045 or 866.RIDEAIR (743.3247) for additional information.



www.hendrickson-intl.com

TRAILER COMMERCIAL VEHICLE SYSTEMS

2070 Industrial Place SE
Canton, OH 44707-2641 USA
866.RIDEAIR (743.3247)
330.489.0045 • Fax 800.696.4416

Hendrickson Canada

250 Chrysler Drive, Unit #3
Brampton, ON Canada L6S 6B6
800.668.5360
905.789.1030 • Fax 905.789.1033

Hendrickson Mexicana

Circuito El Marqués Sur #29
Parque Industrial El Marqués
Pob. El Colorado, Municipio El Marqués,
Querétaro, México C.P. 76246
+52 (442) 296.3600 • Fax +52 (442) 296.3601