

H PARTS LIST

HN® Rear Suspension VariRate® Spring System

LIT NO: SP-212

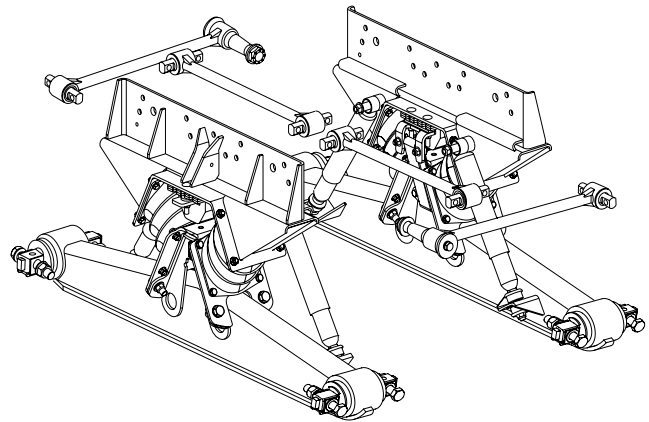
DATE: September 2015

REVISION: F

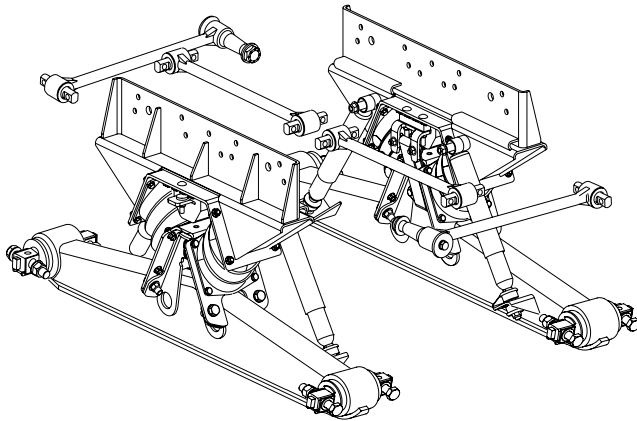
CONTENTS

DESCRIPTION	PAGE
Parts Lists	
■ HN 40K • 46K • 52K - 11/00 - Current	2
■ HN 40K • 46K • 52K - 9/98-11/00	4
■ HN 40K • 46K • 52K - 4/96-8/98	6
Special Tools	8
Notes	8

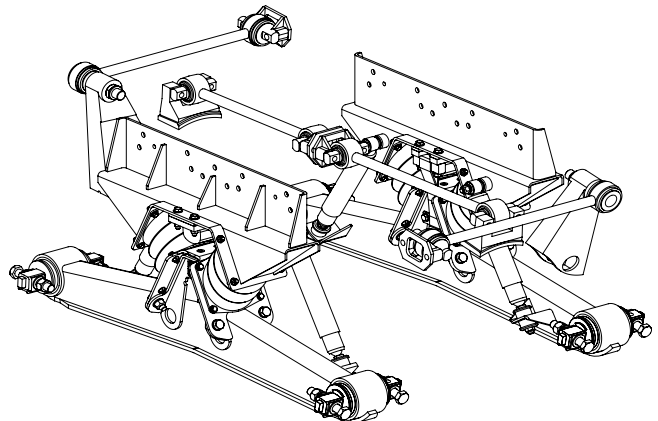
HN 40K • 46K • 52K - 11/00–Current



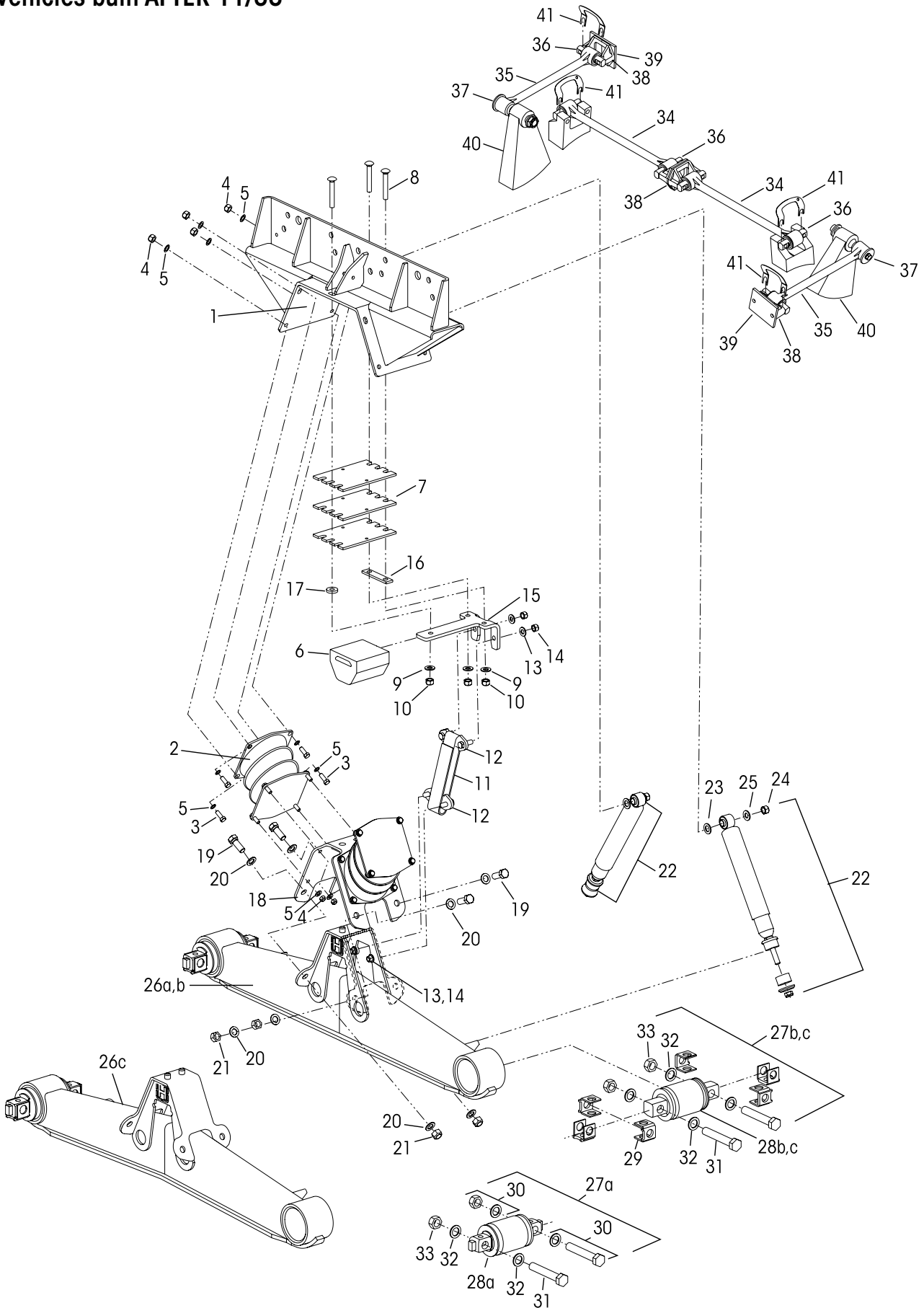
HN 40K • 46K • 52K - 9/98–11/00



HN 40K • 46K • 52K - 4/96–8/98



Vehicles built AFTER 11/00

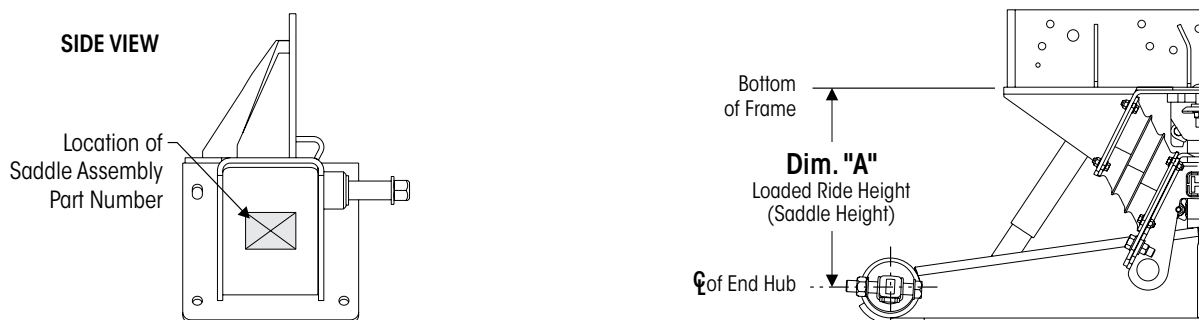




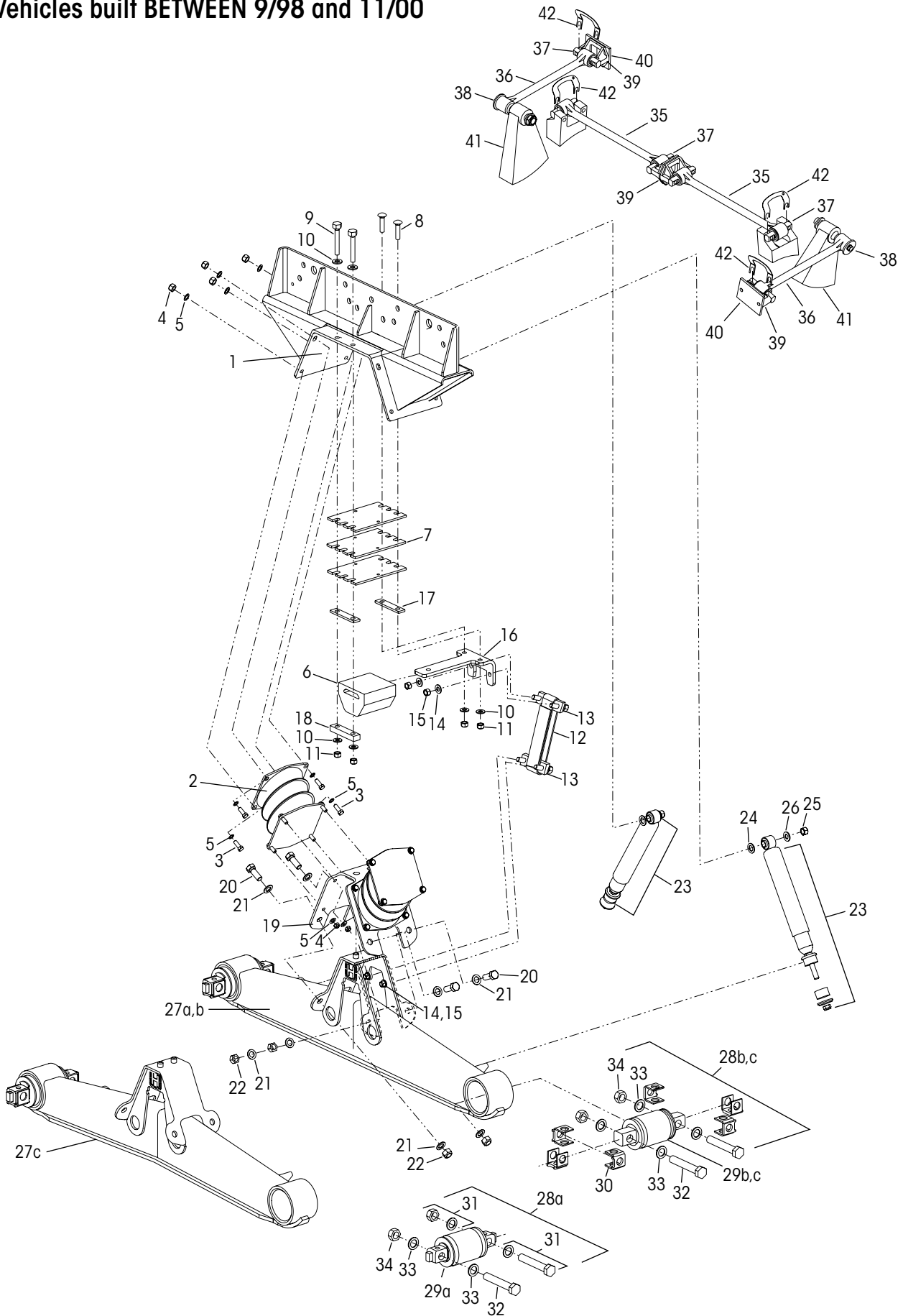
KEY NO.	PART NO.	DESCRIPTION	VEHICLE QTY.	KEY NO.	PART NO.	DESCRIPTION	VEHICLE QTY.
1		Saddle Assembly, See Figure 1 below, Dimension "A" Saddle Height, Includes Key Nos. 2-18 60686-0XX 16½", 17½", or 18½" 58650-0XX 20¼" or 22½" 60879-000L Bolster Spring Service Kit, One Set, (2 pc) Includes Key No. 2	2	27		Bar Pin End Bushing Service Kit, One Wheel End, a 34013-087L Non-Shim Type, 28a, 30 b 34013-088L Shim Type, Includes Key No. 28b, 29a-30 c 34013-188L Rotating, Shim Type, 28c, 29a-30	
2		*Bolster Spring	4	28		*Bar Pin End Bushing a Non-Shim Type b Shim Type c Rotating, Shim Type	4
3	25114-011	7/16"-20 UNF x 1 1/4" Bolt	32	29		Bar Pin Shim	8
4	48949-000	7/16"-20 UNF-2B Locknut	32	a	50131-000	0.25" / 0.12" Standard	
5	22962-027	7/16" Washer	64	b	50130-000	0.19" / 0.19" Optional	
6	60314-000	Auxiliary Load Spring	2	c	57026-000	0.375" Optional flat shim	
7	58960-003L	Auxiliary Load Spring Shim	6	30	34013-104	Bar Pin End Bushing Fastener Kit, One Wheel End, Includes Key Nos. 31-33	
8	58196-006	1/2"-13 UNC x 2 3/4" Round Head Square Neck Bolt <i>Replaces 58196-005</i>	6	31	48941-000	1"-8 UNC x 6" Hex Bolt	8
9	22962-011	1/2" Washer	6	32	22962-008	1" Hardened Washer	16
10	49846-000	1/2"-13 UNC-2A Locknut	6	33	48942-000	1"-8 UNC Locknut	8
11	57878-003	Rebound Strap	2	34		**One-piece Longitudinal Torque Rod Assembly, Straddle/Straddle, Specify Length in mm ULTRA ROD®, Includes Key No. 36 62000-XXX Front 1 62001-XXX Rear 1 8240-00XX-XXX ****TRAAX ROD®, Replaces 72000-XXX and 72001-XXX 2	
	60639-000	Anchor Plate Assembly, Includes Key Nos. 12-14	4	35		***One-piece Transverse Torque Rod Assembly, Straddle/Taper, Specify Length in mm 62350-XXX ULTRA ROD, Includes Key Nos. 36-37 8244-0099-XXX ****TRAAX ROD, Replaces 72350-XXX 8233-0099-XXX ****TRAAX ROD, Replaces 92350-XXX	2
12		*Anchor Plate	4	36	47691-000L	Straddle Bushing	4
13		*1/2" Washer	8	37	64697-000L	Taper Bushing	2
14		*1/2"-13 UNC-2A Locknut	8			Optional Two-Piece Torque Rod Assembly with Bushings Service Kit 60218-000 ULTRA ROD Straddle/Straddle 60215-000 ULTRA ROD Straddle/Taper 65781-000 ULTRA ROD PLUS Straddle/Taper 65781-001 XTRB Straddle/Straddle 65781-002 XTRB Straddle/Taper	
15	58948-001	Auxiliary Load Spring Mounting Plate	2	38	22186-000	Torque Rod Frame Bracket	2
16	58949-000	Auxiliary Load Spring Mounting Plate Shim (Inboard - 1/4" thick)	2	39	45045-003	Back-up Plate (for Torque Rod)	2
17	22962-020	Outboard Spacer (1/4" thick)	2	40		*****Transverse Rod Axle Bracket	2
18	58343-001	Saddle Vee Bracket	2	41	49689-000	Torque Rod Shim	As Req.
		Vee Bracket Fastener Service Kits, 58440-001 Includes Key Nos. 19-21 58440-002 Axle Set, Includes Key Nos. 19-21			70867-001	P-80 Lubricant - 10 ml (Not Shown)	Per Bushing 1
19	50764-006	3/4"-10 UNC-2A x 2" Hex Head Bolt	8				
20	22962-001	3/4" Washer	16				
21	49842-000	3/4"-10 UNC-2B Locknut	8				
22	60680-003L	Shock Absorber	4				
23	22962-001	3/4" Washer	4				
24	30585-000	5/8" Upper Shock Locknut	4				
25	22962-004	5/8" Upper Shock Washer	4				
26		Equalizing Beam Assembly	2				
a	58494-001	46K, 54" Non-Shim Type					
	58494-002	46K, 54" Shim Type					
	58494-005	40K • 46K, 60" Non-Shim Type					
	58494-006	40K • 46K, 60" Shim Type					
	58494-009	40K • 46K, 72½" Non-Shim Type					
	58494-010	40K • 46K, 72½" Shim Type					
b	59973-003	52K, 54" Shim Type					
c	57889-004	40K, 52" Non-Shim Type					
	57889-005	40K, 52" Shim Type					
	57889-001	40K, 54" Non-Shim Type					
	57889-002	40K, 54" Shim Type					

FIGURE 1

Locate the part number (see sideview) on the saddle assembly, if the saddle assembly number is not legible or available, contact the vehicle manufacturer (be prepared with the vehicle VIN number and saddle height) to request the appropriate part number equipped on the vehicle.



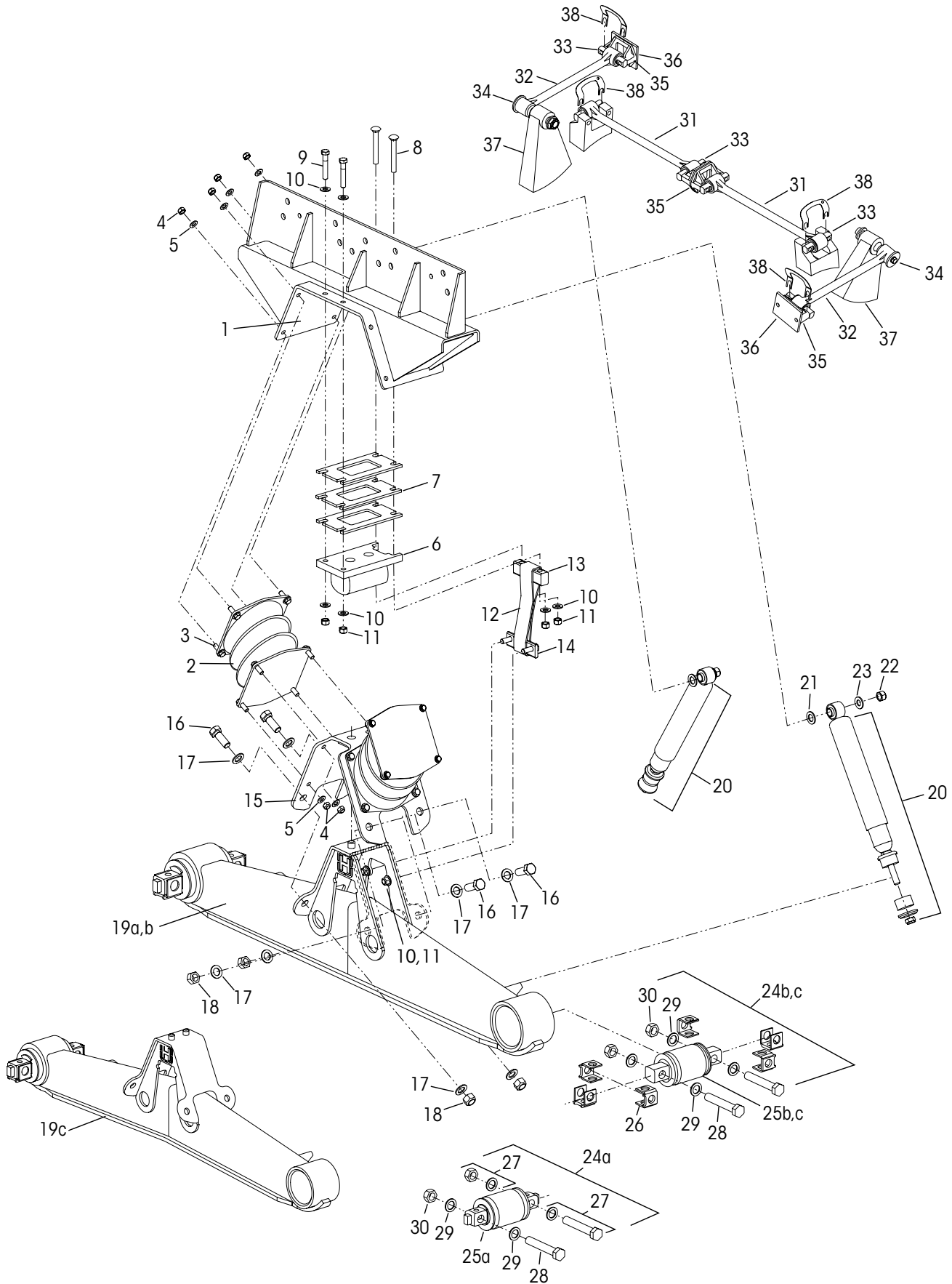
Vehicles built BETWEEN 9/98 and 11/00





KEY NO. PART NO.		DESCRIPTION	VEHICLE QTY.	KEY NO. PART NO.		DESCRIPTION	VEHICLE QTY.
1		Saddle Assembly, See Figure 1 on page 3, Includes Key Nos. 2-19	2	28		Bar Pin End Bushing Service Kit, One Wheel End, Non-Shim Type, 29a, 31	
	60686-0XX	16½", 17½", or 18½"		a	34013-087L	Non-Shim Type, 29a, 31	
	58650-0XX	20¼" or 22½"		b	34013-088L	Shim Type Includes Key No. 29b, 30-31	
	60879-000L	Bolster Spring Service Kit, One Set, (2 pc) Includes Key No. 2		c	34013-188L	Rotating, Shim Type, 29c, 30-31	
2		*Bolster Spring	4	29		*Bar Pin End Bushing	4
3	25114-011	¾"-20 UNF x 1¼" Bolt	32	a		Non-Shim Type	
4	48949-000	¾"-20 UNF-2B Locknut	32	b		Shim Type	
5	22962-027	¾" Washer	64	c		Rotating, Shim Type	
6	58947-000	Auxiliary Load Spring	2	30		Bar Pin Shim	8
7	58960-001	Auxiliary Load Spring Shim	2	a	50131-000	0.25" / 0.12" Standard	
8	58196-004	½"-13 UNC x 2¼" Round Head Bolt	6	b	50130-000	0.19" / 0.19" Optional	
9	24531-016	½"-13 UNC x 3½" Bolt	4	c	57026-000	0.375" Optional flat shim	
10	22962-011	½" Washer	12	31	34013-104	Bar Pin End Bushing Fastener Kit, One Wheel End, Includes Key Nos. 32-34	
11	49846-000	½"-13 UNC-2A Locknut	8	32	48941-000	1"-8 UNC x 6" Hex Bolt	8
12	57878-003	Rebound Strap	2	33	22962-008	1" Hardened Washer	16
13	60639-000	Anchor Plate Assembly, Includes Key Nos. 14-15 <i>Replaces 59779-000</i>	4	34	48942-000	1"-8 UNC Locknut	8
14		*½" Washer	8	35		**One-piece Longitudinal Torque Rod Assembly, Straddle/Straddle, Specify Length in mm ULTRA ROD®, Includes Key No. 37	
15		*½"-13 UNC-2A Locknut	8		62000-XXX	Front	1
16	58948-001	Auxiliary Load Spring Mounting Plate <i>Replaces 58948-000</i>	2		62001-XXX	Rear	1
17	58949-000	¼" Auxiliary Load Spring Mounting Plate Shim	4		8240-00XX-XXX	****TRAAX ROD, <i>Replaces 72000-XXX and 72001-XXX</i>	2
18	58524-000	⅞" Rebound Strap Mounting Plate	2	36		***One-piece Transverse Torque Rod Assembly, Straddle/Taper, Specify Length in mm ULTRA ROD, Includes Key Nos. 37-38 ****TRAAX ROD, <i>Replaces 72350-XXX and 92350-XXX</i>	2
19	58343-001	Saddle Vee Bracket <i>Replaces 58343-000</i>	2		62350-XXX	ULTRA ROD, Includes Key Nos. 37-38	
	58440-001	Vee Bracket Fastener Service Kit, One Side, Includes Key Nos. 20-22			8244-0099-XXX	****TRAAX ROD, <i>Replaces 72350-XXX</i>	
	58440-002	Axle Set, Includes Key Nos. 20-22			8233-0099-XXX	****TRAAX ROD, <i>Replaces 92350-XXX</i>	
20	50764-006	¾"-10 UNC-2A x 2" Hex Head Bolt	8	37	47691-000L	Straddle Bushing	6
21	22962-001	¾" Washer	16	38	64697-000L	Taper Bushing	2
22	49842-000	¾"-10 UNC-2B Locknut	8			Optional Two-Piece Torque Rod Assembly with Bushings Service Kit	
23	60680-003L	Shock Absorber	4		60218-000	ULTRA ROD Straddle/Straddle	
24	22962-001	¾" Washer	4		60215-000	ULTRA ROD Straddle/Taper	
25	30585-000	⅝" Upper Shock Locknut	4		65781-000	ULTRA ROD PLUS Straddle/Taper	
26	22962-004	⅝" Upper Shock Washer	4		65781-001	XTRB Straddle/Straddle	
27		Equalizing Beam Assembly	2		65781-002	XTRB Straddle/Taper	
a		46K, 54" Non-Shim Type		39	22186-000	Torque Rod Frame Bracket	2
	58494-002	46K, 54" Shim Type		40	45045-003	Back-up Plate (for Torque Rod)	2
	58494-005	40K • 46K, 60" Non-Shim Type		41		*****Transverse Rod Axle Bracket	2
	58494-006	40K • 46K, 60" Shim Type		42	49689-000	Torque Rod Shim	As Req.
	58494-009	40K • 46K, 72½" Non-Shim Type			70867-001	P-80 Lubricant - 10 ml (Not Shown)	Per Bushing 1
	58494-010	40K • 46K, 72½" Shim Type					
b	59973-003	52K, 54" Shim Type					
c	57889-004	40K, 52" Non-Shim Type					
	57889-005	40K, 52" Shim Type					
	57889-001	40K • 46K, 54" Non-Shim Type					
	57889-002	40K • 46K, 54" Shim Type					

Vehicles built BETWEEN 4/96 and 8/98

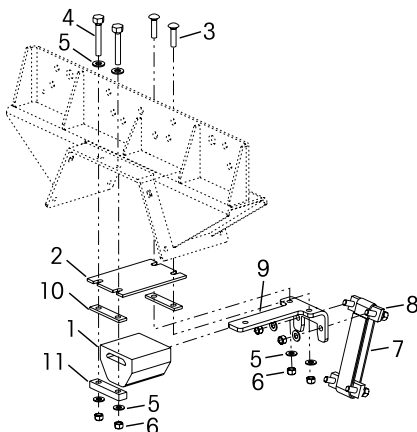




KEY NO.	PART NO.	DESCRIPTION	VEHICLE QTY.	KEY NO.	PART NO.	DESCRIPTION	VEHICLE QTY.
1		Saddle Assembly, <i>See Figure 1 on Page 3,</i> Includes Key Nos. 2-15 60686-OXX 16½", 17½", or 18½" 58650-OXX 20¼" or 22½" 60879-000L Bolster Spring Service Kit, One Set, (2 pc) Includes Key No. 2	2	24		Bar Pin End Bushing Service Kit, One Wheel End, a 34013-087L Non-Shim Type, 25a, 27 b 34013-088L Shim Type, Includes Key No. 25b, 26a-27 c 34013-188L Rotating, Shim Type, 25c, 26a-27	
2		*Bolster Spring	4	25		*Bar Pin End Bushing a Non-Shim Type b Shim Type c Rotating, Shim Type	4
3	25114-011	¾"-20 UNF x 1¼" Bolt	32	26		Bar Pin Shim a 50131-000 0.25" / 0.12" Standard b 50130-000 0.19" / 0.19" Optional c 57026-000 0.375" Optional flat shim	8
4	48949-000	¾"-20 UNF-2B Locknut	32	27	34013-104	Bar Pin End Bushing Fastener Kit, One Wheel End, Includes Key Nos. 28-30	
5	22962-027	¾" Washer	64	28	48941-000	1"-8 UNC x 6" Hex Bolt	8
6		Auxiliary Load Spring (<i>58189-000 no longer available, see conversion kit 57974-011 below</i>)	2	29	22962-008	1" Hardened Washer	16
7	57993-002	Auxiliary Load Spring Shim	6	30	48942-000	1"-8 UNC Locknut	8
8	58196-002	½"-13 UNC-2A x 3½" Round Head Bolt	4	31		**One-piece Longitudinal Torque Rod Assembly, Straddle/Straddle, Specify Length in mm ULTRA ROD®, Includes Key No. 33 62000-XXX Front 1 62001-XXX Rear 1 8240-00XX-XXX ****TRAAX ROD, <i>Replaces 72000-XXX and 72001-XXX</i> 2	
9	24531-017	½"-13 UNC-2A x 2¼" Hex Head Bolt	4	32		***One-piece Transverse Torque Rod Assembly, Straddle/Taper, Specify Length in mm 62350-XXX ULTRA ROD, Includes Key Nos. 33-34 8244-0099-XXX ****TRAAX ROD, <i>Replaces 72350-XXX</i> 8233-0099-XXX ****TRAAX ROD, <i>Replaces 92350-XXX</i>	2
10	22962-011	½" Washer	16	33	47691-000L	Straddle Bushing	6
11	49846-000	½"-13 UNC-2A Locknut	12	34	64697-000L	Taper Bushing	2
12	57878-003	Rebound Strap	2			Optional Two-Piece Torque Rod Assembly with Bushings Service Kit 60218-000 ULTRA ROD Straddle/Straddle 60215-000 ULTRA ROD Straddle/Taper 65781-000 ULTRA ROD PLUS Straddle/Taper 65781-001 XTRB Straddle/Straddle 65781-002 XTRB Straddle/Taper	
13	58524-000	Rebound Strap Mounting Plate	2	35	22186-000	Torque Rod Frame Bracket	2
14	60639-000	Anchor Plate Assembly, Includes Fasteners <i>Replaces 59779-000</i>	2	36	45045-003	Back-up Plate (for Torque Rod)	2
15	58343-001	Saddle Vee Bracket	2	37		****Transverse Rod Axle Bracket	2
	58440-001	Vee Bracket Fastener Service Kit, One Side, Includes Key Nos. 16-18		38	49689-000	Torque Rod Shim	As Req.
	58440-002	Axle Set, Includes Key Nos. 16-18			70867-001	P-80 Lubricant - 10 ml (Not Shown)	Per Bushing 1
16	50764-006	¾"-10 UNC-2A x 2" Hex Head Bolt	8				
17	22962-001	¾" Washer	16				
18	49842-000	¾"-10 UNC-2B Locknut	8				
19		Equalizing Beam Assembly	2				
a	58494-001	46K, 54" Non-Shim Type					
	58494-002	46K, 54" Shim Type					
	58494-005	40K • 46K, 60" Non-Shim Type					
	58494-006	40K • 46K, 60" Shim Type					
	58494-009	40K • 46K, 72½" Non-Shim Type					
	58494-010	40K • 46K, 72½" Shim Type					
b	59973-003	52K, 54" Shim Type					
c	57889-004	40K, 52" Non-Shim Type					
	57889-005	40K, 52" Shim Type					
	57889-001	40K • 46K, 54" Non-Shim Type					
	57889-002	40K • 46K, 54" Shim Type					
20	60680-003L	Shock Absorber	4				
21	22962-001	¾" Washer	4				
22	30585-000	⅝" Locknut	4				
23	22962-004	⅝" Washer	4				

KEY NO. 6

AUXILIARY SPRING CONVERSION KIT NO. 57974-011



AXLE SET – INCLUDES KEY NOS. 1-11

	KEY NO.	PART NO.	DESCRIPTION	QTY.
	1	60314-000	Auxiliary Spring	2
	2	58960-003	¾"-Auxiliary Spring Shim	2
	3	58196-006	½"-13 UNC x 2¾" Round Head Bolt	4
	4	24531-016	½"-13 UNC x 3½" Bolt	4
	5	22962-011	½" Hardened Washer	14
	6	49846-000	½"-13 UNC Locknut	14
	7	57878-003	Rebound Strap	2
	8	64700-000	Anchor Plate Assembly	4
	9	58948-001	Auxiliary Spring Mounting Plate	2
	10	58949-000	¼" Auxiliary Spring Mounting Plate Shim	4
	11	58524-000	⅞" Rebound Strap Mounting Plate	4



■ Special Tools

BAR PIN STYLE END BUSHING TOOLS

INSTALLATION TOOL

Hendrickson Part No. 66086-103

OTC Part No. 1757

Visit otctools.com

Use with the equalizing beam removed from the truck, and in conjunction with OTC No. 51100 press plate and a 100 ton hydraulic shop press.



REMOVAL TOOLS

Hendrickson Part No. 66086-104

OTC Part No. 206457

Visit otctools.com



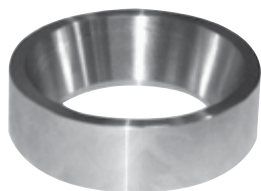
Hendrickson Part No. 66086-105

OTC Part No. 302030

Visit otctools.com



TORQUE ROD BUSHING FUNNEL TOOLS



Hendrickson Part No. 66086-001L
ULTRA ROD

Hendrickson Part No. 66086-000L
ULTRA ROD PLUS

NOTES: Equalizing beam axle brackets for drive axles are supplied by the axle manufacturer.

* Item included in assembly/kit only, part not sold separately.

** Hendrickson's part number is stamped on the torque rod for identification. Be sure to include the suffix number when ordering, this number indicates torque rod length, The Hendrickson 2-piece torque rods can be used to create the desired length, see Torque Rod Selection Guide Literature No. 45745-148.

*** Transverse torque rods are mandatory for HN rear suspension regardless of axle spacing, refer to Hendrickson Literature No. 59310-004 and 59310-058.

**** Longitudinal and transverse TRAAX Rod bushings are non-serviceable, the entire torque rod assembly requires replacement. Visit TRAAX ROD website www.traaxrods.com for more information.

***** Not supplied by Hendrickson, used for reference only. Hendrickson is not responsible for components supplied by the vehicle manufacturer. For assistance with maintenance and rebuild instructions on these components see vehicle manufacturer.

Hendrickson **HAULMAAX / HN Bolster Gauge**, Literature No. 48422-546 can be obtained on-line at www.hendrickson-intl.com/litform.

This is a general parts list to provide directional information. Components may vary by model. Questions in regards to parts, contact Hendrickson Truck Parts at 1.866.755.5968 (Toll-free U.S. and Canada), 630.910.2800 (Outside U.S. and Canada) or e-mail: truckparts@hendrickson-intl.com.

Actual product performance may vary depending upon vehicle configuration, operation, service and other factors.

All applications must comply with applicable Hendrickson specifications and must be approved by the respective vehicle manufacturer with the vehicle in its original, as-built configuration.

Contact Hendrickson for additional details regarding specifications, applications, capacities, and operation, service and maintenance instructions.

Call your truck dealer or Hendrickson at 1.866.755.5968 (toll-free) or 1.630.910.2800 for additional information.



www.hendrickson-intl.com

SP-212 Rev F 09-15

© 1997 – 2015 Hendrickson USA, L.L.C. All Rights Reserved. All trademarks shown are owned by Hendrickson USA, L.L.C., or one of the affiliates, in one or more countries.

Information contained in this literature was accurate at the time of publication. Product changes may have been made after the copyright date that are not reflected.

TRUCK COMMERCIAL VEHICLE SYSTEMS
800 South Frontage Road
Woodridge, IL 60517-4904 USA
1.866.755.5968 (Toll-free U.S. and Canada)
1.630.910.2800 (Outside U.S. and Canada)
Fax 1.630.910.2899

Printed in United States of America