

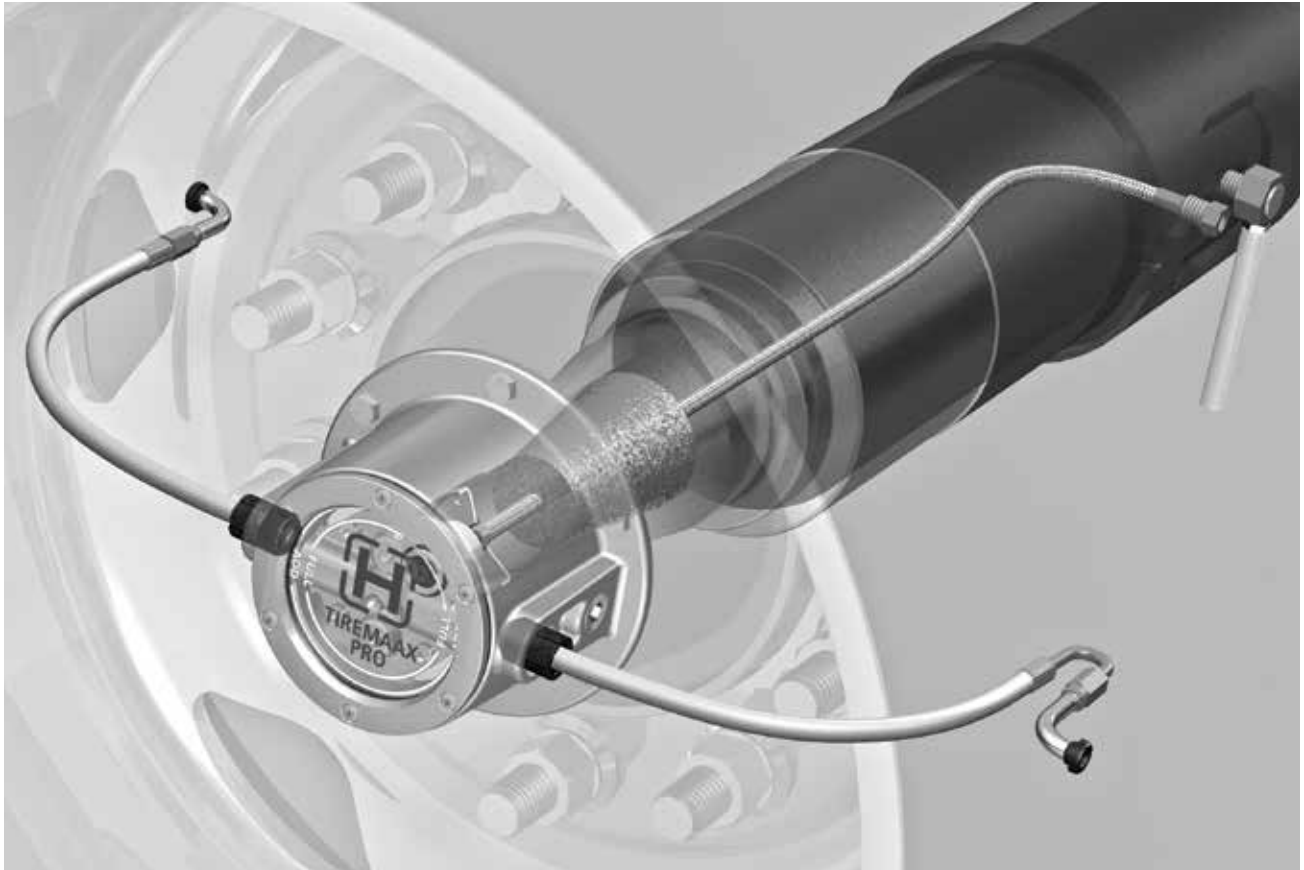
H PARTS LIST

TIREMAAX®

LIT NO: L878

DATE: November 2020

REVISION: Q



For complete service and installation instructions, refer to L818 (EC), L995 or T51002 found on the Hendrickson web site at www.hendrickson-intl.com.

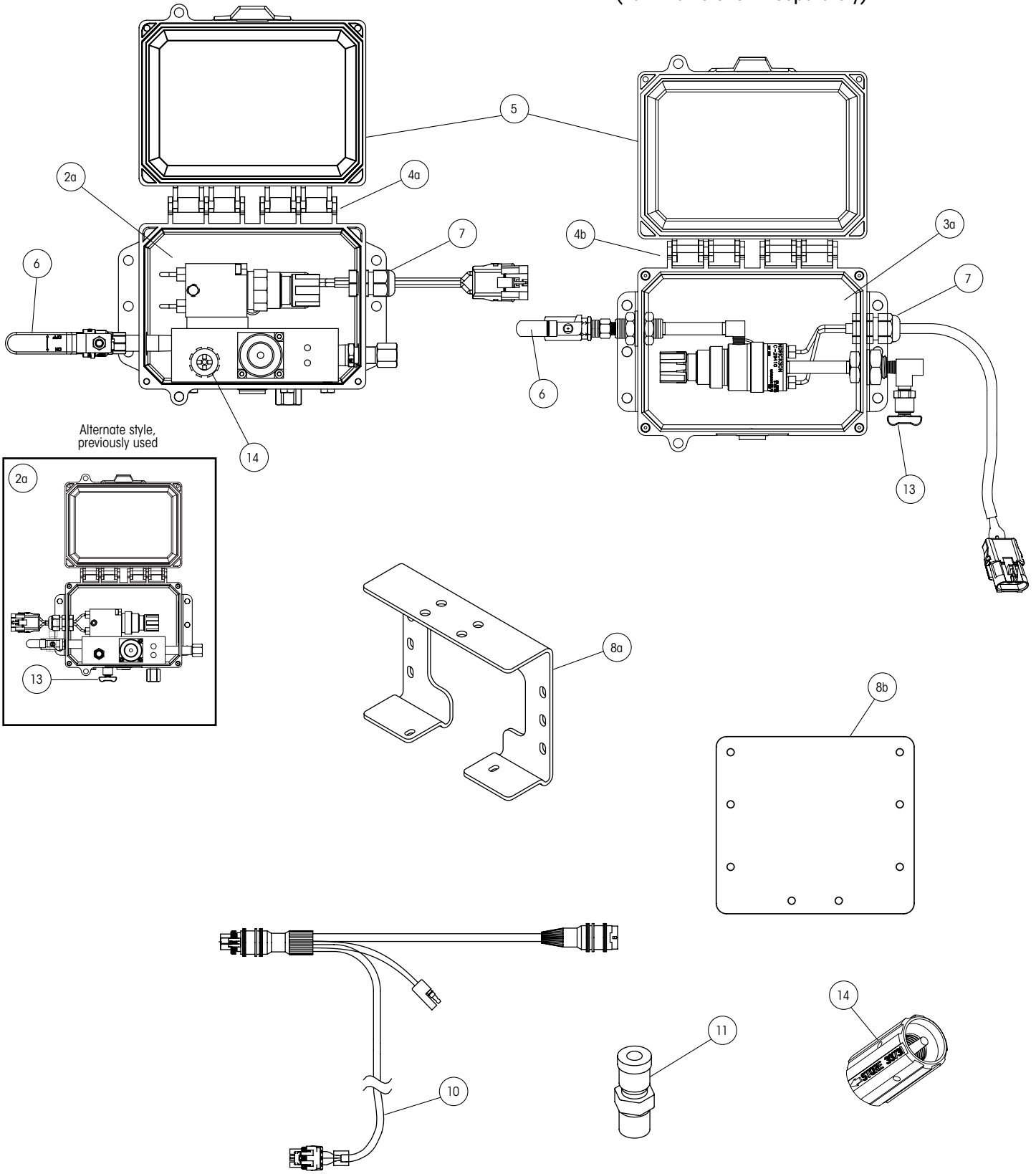
TABLE OF CONTENTS

TIREMAAX® PRO AND TIREMAAX CP (Built March 2012 or later with hubcap-mounted rotary union)	
PRO AND CP CONTROLLERS.....	2
LIGHT KIT COMPONENTS AND MANIFOLDS.....	4
AXLE AND WHEEL COMPONENTS.....	4
TIRE HOSES.....	6
TIREMAAX EC AND TIREMAAX CP (Built prior to March 2012 with spindle-mounted rotary union)	
EC CONTROLLERS.....	8
AXLE AND WHEEL COMPONENTS.....	10
TIRE HOSES.....	11
TOOLS AND ACCESSORIES.....	12



PRO CONTROLLER ASSEMBLY

CP CONTROLLER ASSEMBLY
(Tank valve shown separately)





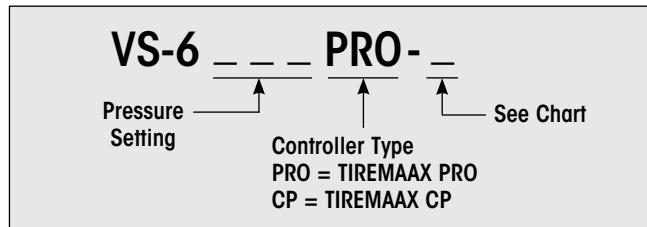
TIREMAAX® CONTROLLERS

ITEM DESCRIPTION

- 1 CONTROLLER KIT** (Complete kit not shown)
Available as assembled unit only

Model	Wheel Style	PSI Range
TIREMAAX® PRO	Dual and Super Single	85 to 120
TIREMAAX CP	Dual and Super Single	70 to 120

Offered in 5 psi increments.



Example: Pro Controller Kit part number VS-6100PRO-1 is 100 psi with adapter plug, no indicator light and no controller tank valve.

Controller Kit		-1	-2	-3	-4	-5	-6	-7	-8	-9	-10	-11	-12	-13	-14	-15
Indicator Light Kit	Incandescent – 12V							X		X	X					
	No	X	X	X	X	X	X									
	LED – 12V with 65' Cable								X			X	X			
	LED – 12V with 35' Cable													X	X	X
Wiring Harness	Adapter Plug	X			X					X		X			X	
	15' Heavy Duty		X			X		X	X					X		
	3' Heavy Duty			X			X				X		X			X
Controller Tank Valve	Yes*				X	X	X									
	No	X	X	X				X	X	X	X	X	X	X	X	X

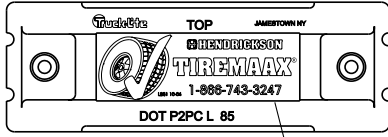
*Not available on TIREMAAX PRO.

ITEM	DESCRIPTION	PART NO.	QTY. PER TANDEM	NOTE
2	PRO CONTROLLER ASSEMBLY			Available as assembled unit only
a	PRO Controller with Delphi Connector	VS-32074-XXX	1	Programmed to XXX psi
b	PRO Controller with Blade Terminals (Not Shown)	VS-34923-XXX	1	Programmed to XXX psi
3	CP CONTROLLER ASSEMBLY		1	Available as assembled unit only
a	CP Controller with Delphi Connector	VS-29865-XXX	1	Programmed to XXX psi
b	CP Controller with Delphi Connector and Tank Valve	VS-31520-XXX	1	Programmed to XXX psi
c	CP Controller with Blade Terminals (Not Shown)	VS-34920-XXX	1	Programmed to XXX psi
d	CP Controller with Blade Terminals and Tank Valve (Not Shown)	VS-37987-XXX	1	Programmed to XXX psi
4	ENCLOSURE BOX WITH LID			
a	PRO	VS-31845-12	1	
b	CP	VS-31845-13	1	
5	PRO AND CP ENCLOSURE LID	VS-34953	1	
6	BALL VALVE	VS-33730	1	
7	STRAIN RELIEF	VS-29421	1	
8	MOUNTING BRACKET			
a	For Spring Suspensions	VS-29859	1	Optional
b	For ULTRAA-K® Suspension	VS-35291	1	Optional for mounting to front crossmember
9	ADAPTER PLUG (Not Shown)	VS-29857	1	18-inch; 3-way connector
10	ABS JUNCTION HARNESS			
a	15-foot; 3-way Connector	VS-30270	1	
b	3-foot; 3-way Connector	VS-30270-1	1	
11	TANK VALVE	VS-31519	1	Optional on CP
12	LIQUID-FILLED PRESSURE GAUGE (Not Shown)	VS-31498	1	Optional on PRO
13	PETCOCK	VS-29409	1	On PRO models prior to February 2015
14	TEST PORT VENT	VS-33731	1	On PRO models after February 2015

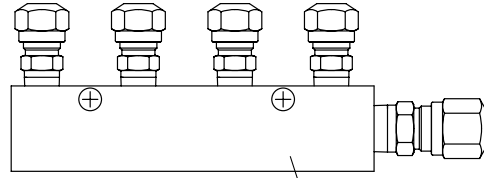
TIREMAAX® PARTS LIST



TIREMAAX® LIGHT KIT COMPONENTS AND MANIFOLDS

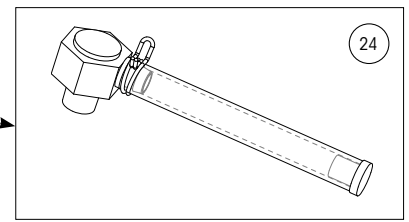
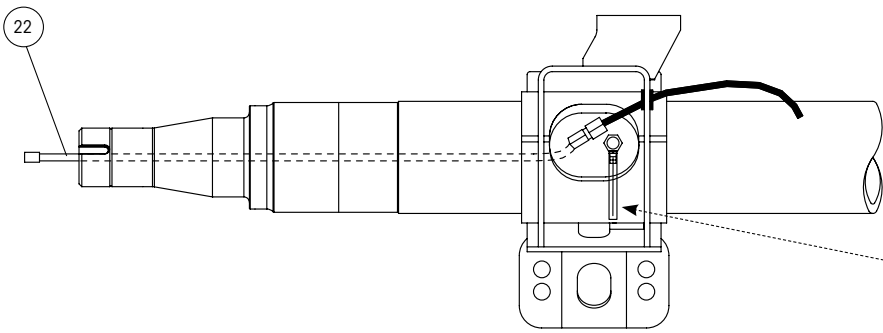
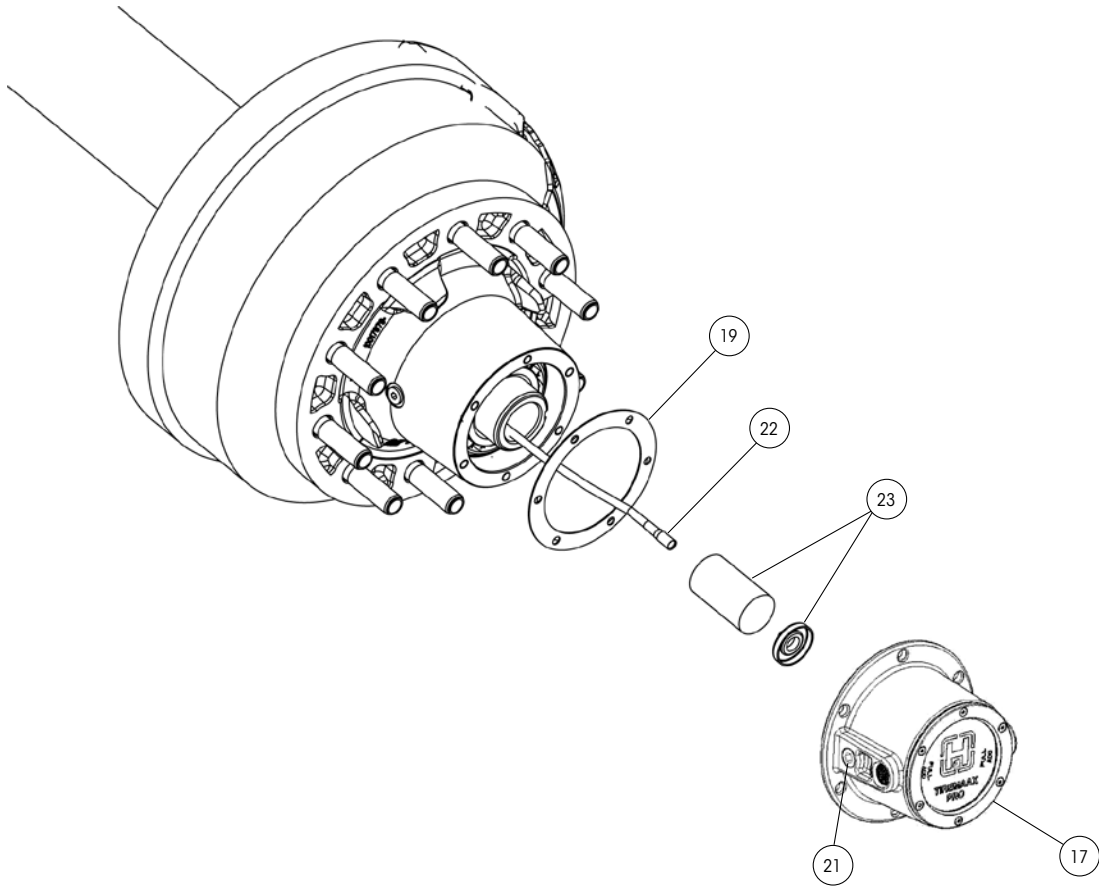


15



16

TIREMAAX AXLE AND WHEEL COMPONENTS





TIREMAAX® LIGHT KIT COMPONENTS AND MANIFOLDS

ITEM	DESCRIPTION	PART NO.	QTY. PER TANDEM	NOTE
15	TRAILER MOUNTED INDICATOR LIGHT KIT (Complete Kit Not Shown)			
a	Kit – Incandescent 12V with 60-foot Cable	VS-28059	1	Light, gasket, ground wire and 60-foot cable
b	Kit – LED 12V with 65-foot Cable	VS-28059-1	1	Light, bracket and 65-foot cable
c	Kit – LED 12V with 35-foot Cable	VS-28059-3	1	Light, bracket and 35-foot cable
d	Kit – LED 24V with 65-foot Cable	VS-28059-2	1	Light, bracket and 65-foot cable
e	Light – Incandescent 12V	VS-28526	1	Light only
f	Light – LED 12V	VS-29880	1	Light only
g	Light – LED 24V	VS-33119	1	Light only
h	Cable – Incandescent 12V, 60-foot	VS-28336	1	Cable only
i	Cable – LED, 65-foot	VS-29883	1	Cable only
j	Cable – LED, 35-foot	VS-29883-1	1	Cable only
k	Mounting Bracket – LED	VS-29879	1	Bracket only
16	MANIFOLD			
a	Tandem Manifold	VS-30410	1	
b	Tridem Manifold	VS-30470	1	

TIREMAAX AXLE AND WHEEL COMPONENTS

17	HUBCAP			Hubcap, gasket and fasteners
a	PRO HN Oil - Dual/Super Single Tires	VS-32055-1	4	
b	PRO HN Grease - Dual/Super Single Tires	VS-32055-3	4	
c	PRO HP Oil - Dual/Super Single Tires	VS-32056-1	4	
d	PRO HP Grease - Dual/Super Single Tires	VS-32056-3	4	
e	CP HN Oil - Dual/Super Single Tires	VS-32068-1	4	
f	CP HN Grease - Dual/Super Single Tires	VS-32068-3	4	
g	CP HP Oil - Dual/Super Single Tires	VS-32070-1	4	
h	CP HP Grease - Dual/Super Single Tires	VS-32070-3	4	
i	PRO Extended HP Oil - Dual / Super Single Tires	VS-32057-1	4	For use with castellated nut
j	PRO Extended HP Grease - Dual / Super Single Tires	VS-32057-3	4	For use with castellated nut
18	HUBCAP WINDOW REPLACEMENT KITS (Not Shown)			Hubcap lens, lens plate, tri-lobe screws
a	CP Oil	VS-32054-1	4	
b	CP Grease	VS-32054-2	4	
c	PRO Oil	VS-32054-3	4	
d	PRO Grease	VS-32054-4	4	
19	HUBCAP GASKETS			
a	HP Gasket	S-32097	4	
b	HN Gasket	S-32098	4	
20	HUBCAP PORT PROTECTION PLUG (Not Shown)			For super single applications
a	PRO AND CP (Purchased after 09/01/2013)	VS-33686	4	Light grey, permanent threaded nylon plug
21	HUBCAP FILL PORT PIPE PLUG	A-33074	4	
22	AXLE HOSE			
a	INTRAAX® / VANTRAAX®	VS-32087-1	4	Requires (1) axle vent VS-32101 per axle
b	TRLAXLE®, 71.5" to 83" track	VS-32087-2	4	Requires (1) axle vent VS-32101-1 per axle
c	TRLAXLE, 83.5" to 92" track	VS-32087-3	4	Requires (1) axle vent VS-32101-1 per axle
d	CONNEX® ST	VS-32087-4	4	Requires (1) axle vent VS-32101 per wheel-end
23	SPINDLE PLUG ASSEMBLY			
a	HN - 1.75"	VS-33092-1	4	
b	HUS/P90 and HP - 2.75"	VS-33092-2	4	
24	AXLE VENT			
a	INTRAAX/VANTRAAX	VS-32101	2	
b	TRLAXLE	VS-32101-1	2	
25	AXLE KIT (Not Shown)			Axle hoses, filters, vent assembly, spindle plugs and air line tubing
a	INTRAAX/VANTRAAX	VS-9201TM	2	
b	TRLAXLE, 71.5" to 83" track	VS-9202TM	2	
c	TRLAXLE, 83.5" to 92" track	VS-9204TM	2	

TIREMAAX® PARTS LIST



TIREMAAX® TIRE HOSES

ITEM	DESCRIPTION	PART NO.	QTY. PER TANDEM	NOTE
26	TIRE HOSE, STANDARD – STRAIGHT FITTING	See Chart A		
27	TIRE HOSE, STANDARD – 180-DEGREE FITTING	See Chart A		
28	TIRE HOSE, INTEGRAL CHECK PORT – STRAIGHT FITTING	See Chart A		
29	TIRE HOSE, INTEGRAL CHECK PORT – 180-DEGREE FITTING	See Chart A		
30	TIRE HOSE KITS (Individual Components Shown)	See Chart B		
31	TIRE HOSE O-RING SERVICE KIT (Not Shown)	VS-34935	2	(10) O-rings per kit

CHART A – TIRE HOSES

ITEM	HOSE STYLE	WHEEL STYLE	TIRE SIZE	WHEEL MATERIAL	POSITION	FITTING	QTY. PER TANDEM	PART NUMBER	
								THERMOPLASTIC	STAINLESS STEEL
26 & 27	Standard	Dual	17.5"	Steel, Aluminum or Combo	Inner	Straight	4	VS-33767-4	VS-31503-2
					Outer	180-Degree	4	VS-33769-3	VS-31504-1
			19.5"	Aluminum	Inner	Straight	4	VS-33767-4	VS-31503-2
					Outer	180-Degree	4	VS-33769-1	VS-31504-1
			22.5"	Steel or Combo	Inner	Straight	4	VS-33767-2	VS-31503-2
					Outer	180-Degree	4	VS-33769-3	VS-31504-1
			22.5"	Aluminum	Inner	Straight	4	VS-33767-5	VS-31503-2*
					Outer	180-Degree	4	VS-33769-1	VS-31504-1*
		22.5"	Steel or Combo	Inner	Straight	4	VS-33767-1	VS-31503-1	
				Outer	180-Degree	4	VS-33769-1	VS-31504-2	
		24.5"	Aluminum	Inner	Straight	4	VS-33767-2	VS-31503-1	
				Outer	180-Degree	4	VS-33769-2	VS-31504-2	
		24.5"	Steel or Combo	Inner	Straight	4	VS-33767-1	VS-31503-1	
				Outer	180-Degree	4	VS-33769-1	VS-31504-2	
		Super Single	22.5"	Aluminum	N/A	Straight	4	VS-33767-3	VS-31503-3
					Steel	Inboard Stem	Straight	4	VS-33767-3
Outboard Stem	180-Degree			4		VS-33769-1	VS-31504-1		
28 & 29	Integral Check Port			Dual	22.5"	Aluminum	Inner	Straight	4
		Outer	180-Degree				4	VS-40177-1	–
		Steel or Combo	Inner			Straight	4	VS-40176-3	–
			Outer			180-Degree	4	VS-40177-1	–
		Super Single	22.5"	Aluminum	N/A	Straight	4	VS-40176-1	–
					Steel	Inboard Stem	Straight	4	VS-40176-1
				Outboard Stem		180-Degree	4	VS-40177-1	–

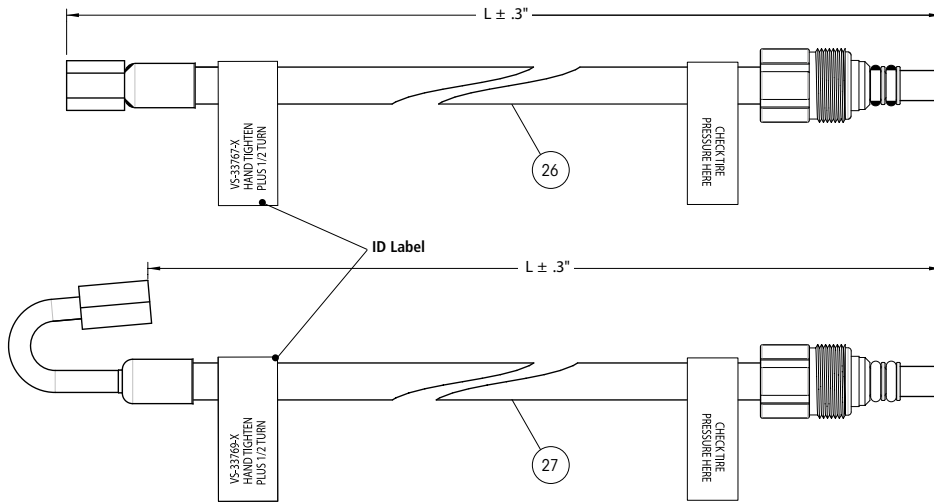
* Part number listed may not match part number found on the stainless steel tire hose ID label. The part number listed above provides an optimal length for the 22.5" aluminum wheel set-up. Customer can replace like-for-like or order the part number above, which will be approximately one inch shorter.



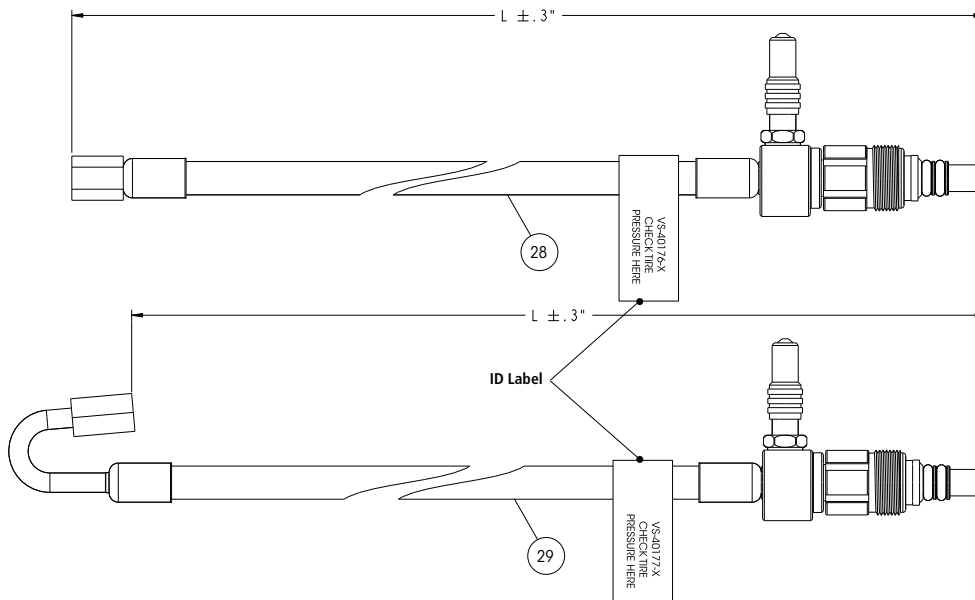
CHART B – TIRE HOSE KITS

ITEM	HOSE STYLE	WHEEL STYLE	TIRE SIZE	WHEEL MATERIAL	QTY. PER TANDEM	THERMOPLASTIC PART NUMBER	NOTE	
30	Standard	Dual	17.5"	Steel, Aluminum or Combo	2	VS-8301TM	(2) VS-33767-4 and (2) VS-33769-3	
			19.5"	Aluminum	2	VS-8302TM	(2) VS-33767-4 and (2) VS-33769-1	
				Steel or Combo	2	VS-8303TM	(2) VS-33767-2 and (2) VS-33769-3	
			22.5"	Aluminum	2	VS-8304TM	(2) VS-33767-5 and (2) VS-33769-1	
				Steel or Combo	2	VS-8305TM	(2) VS-33767-1 and (2) VS-33769-1	
			24.5"	Aluminum	2	VS-8306TM	(2) VS-33767-2 and (2) VS-33769-2	
		Steel or Combo		2	VS-8305TM	(2) VS-33767-1 and (2) VS-33769-1		
		Integral Check Port	Super Single	22.5"	Aluminum	2	VS-8307TM	(2) VS-33767-3
					Steel (Inboard Stem)	2	VS-8307TM	(2) VS-33767-3
					Steel (Outboard Stem)	2	VS-8308TM	(2) VS-33769-1
	Dual		22.5"	Aluminum	2	VS-8404TM	(2) VS-40176-2 and (2) VS-40177-1	
		Steel or Combo		2	VS-8405TM	(2) VS-40176-3 and (2) VS-40177-1		
	Super Single	22.5"	Aluminum	2	VS-8407TM	(2) VS-40176-1		
			Steel (Inboard Stem)	2	VS-8407TM	(2) VS-40176-1		
Steel (Outboard Stem)			2	VS-8408-TM	(2) VS-40177-1			

STANDARD HOSES



INTEGRAL CHECK PORT HOSES

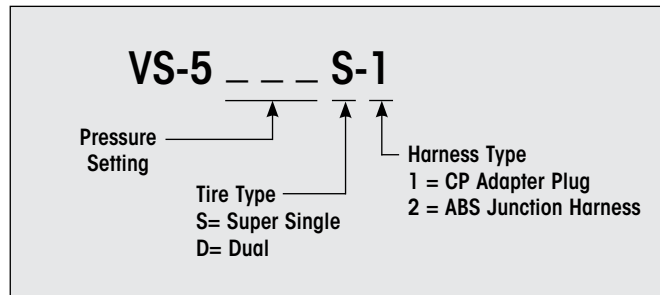


TIREMAAX® CONTROLLERS

ITEM	DESCRIPTION	PART NO.	QTY. PER TANDEM	NOTE
1	EC to CP Retrofit Kit		1	

Model	PSI Range
TIREMAAX EC	70 to 130

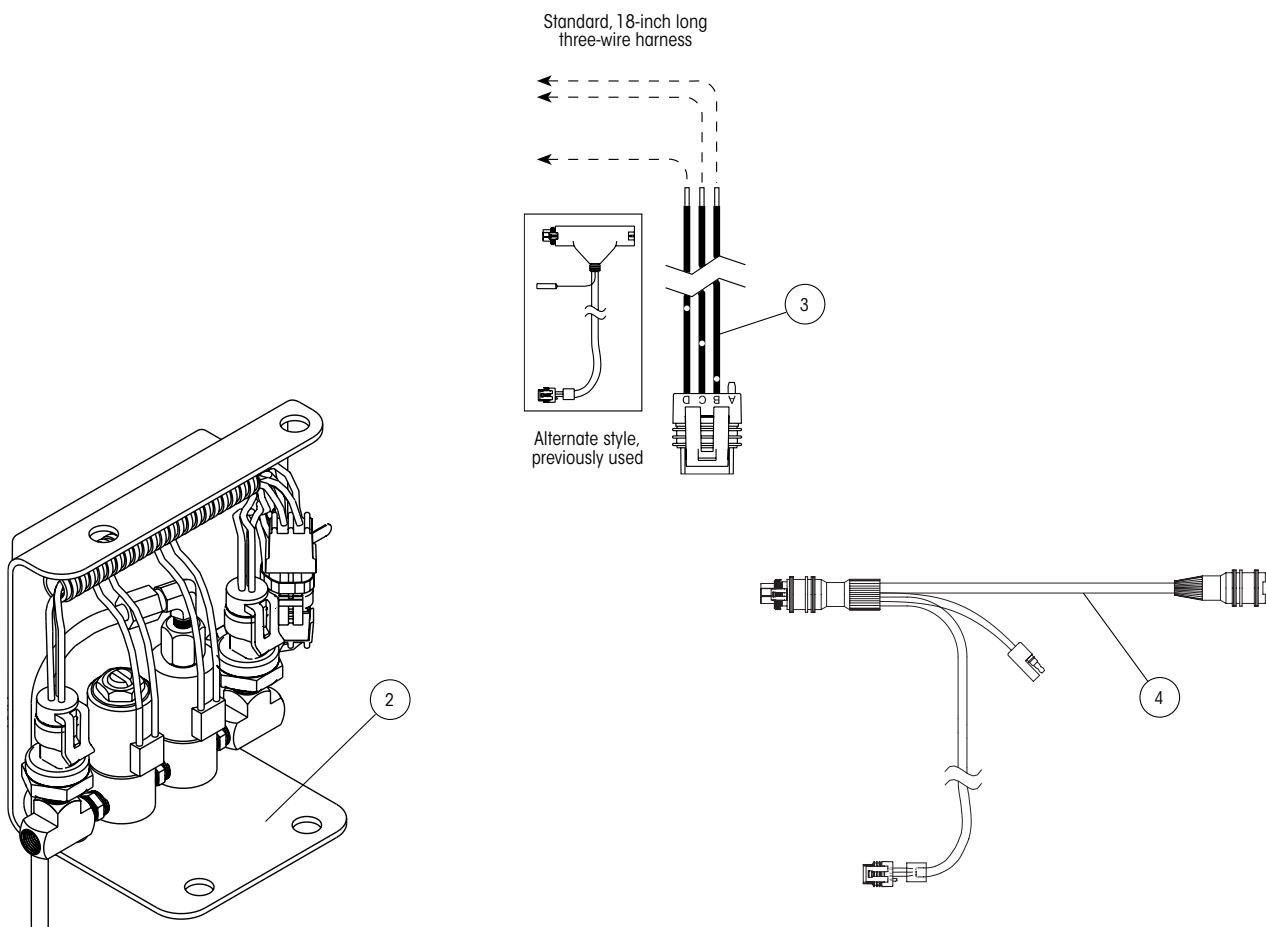
Offered in 5 psi increments.



Example: Conversion Kit Part Number VS-5100S-1 is 100 psi for Super Single with CP Adapter Plug.

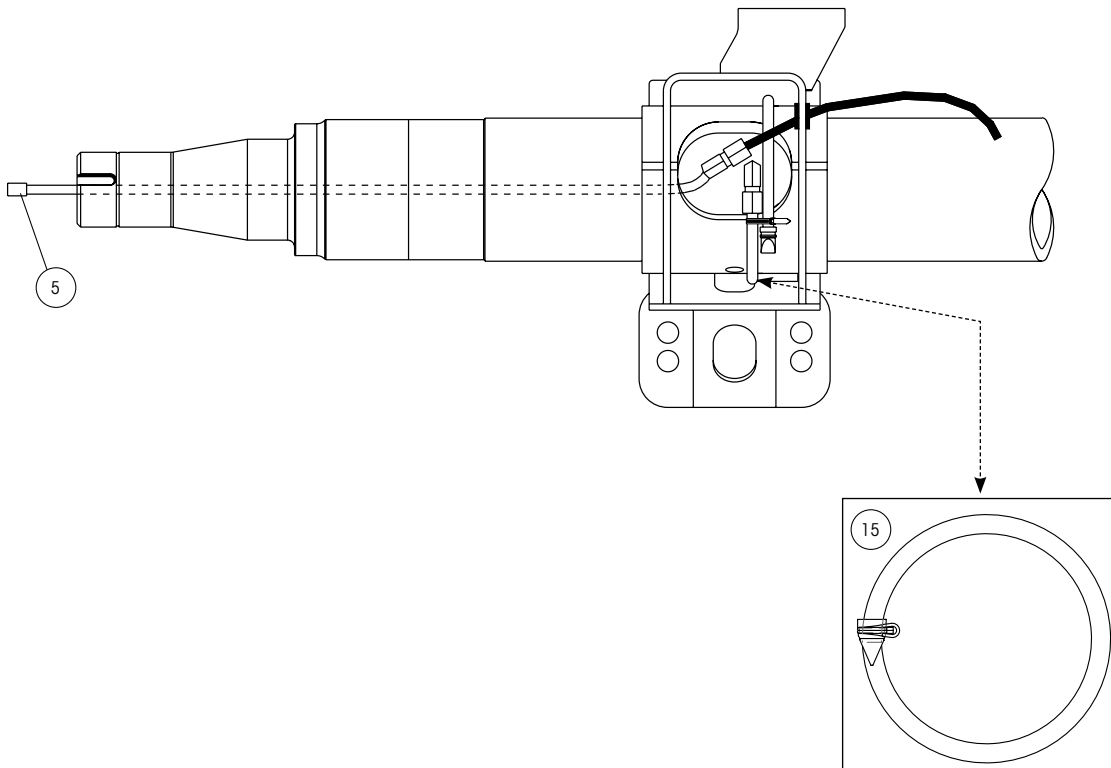
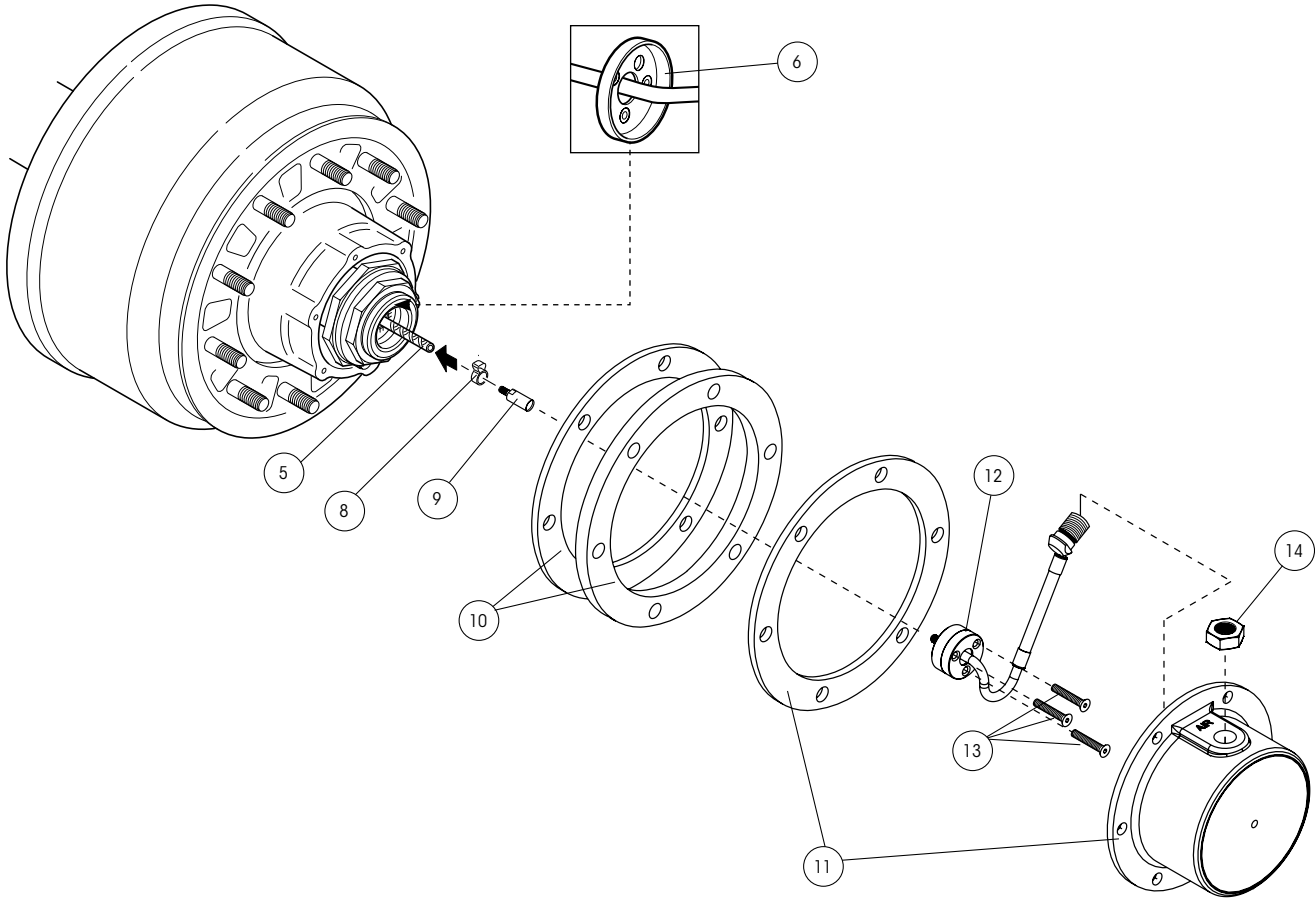
ITEM	DESCRIPTION	PART NO.	QTY. PER TANDEM	NOTE
2	EC Controller Assembly			No longer available — replace with item 1
3	EC Adapter Plug	VS-27771	1	18-inch; 4-way connector
4	EC ABS Junction Harness	VS-29884	1	15-foot; 4-way connector

TIREMAAX® EC and CP (With Spindle-Mounted Rotary Union)





TIREMAAX® AXLE AND WHEEL COMPONENTS



TIREMAAX® EC (With Spindle-Mounted Rotary Union)

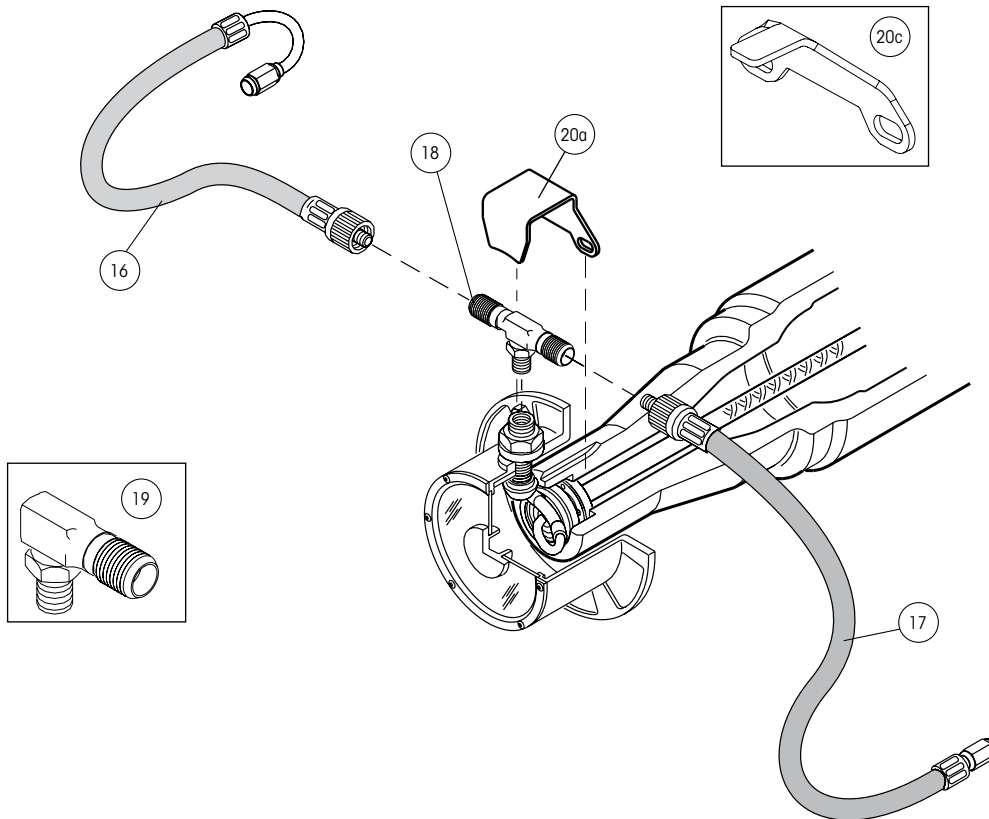
TIREMAAX® AXLE AND WHEEL COMPONENTS

ITEM	DESCRIPTION	PART NO.	QTY. PER TANDEM	NOTE
5	AXLE HOSE			
	a INTRAAX®/VANTRAAX®	VS-29094-1	4	
	b TRLAXLE®	VS-29094-2	4	
6	SPINDLE PLUG ASSEMBLY			
	a HN - 1.75"	VS-27448	4	
	b HP - 2.50"	VS-27839	4	
	c HUS/P90 and HP - 2.75"	VS-27449	4	
7	AXLE FILTER (Not Shown)	A-24217	4	
8	AXLE HOSE CLAMP	VS-26451	4	Not required with threaded axle hose
9	HOSE END ADAPTER	VS-28865	4	Axle hose fitting and (2) axle hose clamps
10	HUBCAP SPACER KIT			
	a HN Hubcap Spacer Kit	S-28040	4	
	b HP Hubcap Spacer Kit	S-28093	4	
11	HUBCAP			
	a HN Grease - Standard	VS-29566-1	4	Bolt-on hubcap, gasket and fasteners
	b HN Oil - Standard	VS-29566-3	4	Bolt-on hubcap, gasket and fasteners
	c HP Grease - Standard	VS-29566-2	4	Bolt-on hubcap, gasket and fasteners
	d HP Oil - Standard	VS-29566-4	4	Bolt-on hubcap, gasket and fasteners
	e HUS/P90 Screw-on	(No Longer Available)	4	Contact Hendrickson Technical Service
	f HUS/P90 6-bolt	VS-29566-2	4	Bolt-on hubcap, gasket and fasteners
	g HUS/P90 3-bolt	S-29227-2	4	Bolt-on hubcap with integrated o-ring
	h HN Grease - Stemco Extended for Pro-Torq® Nut	(No Longer Available)		Replaced by 11a and 10a
	i HP Grease - Stemco Extended for Pro-Torq Nut	(No Longer Available)		Replaced by 11c and 10b
	j HN Oil - Stemco Extended for Pro-Torq Nut	(No Longer Available)		Replaced by 11b and 10a
	k HP Oil - Stemco Extended for Pro-Torq Nut	(No Longer Available)	4	Replaced by 11d and 10b
12	ROTARY UNION KITS			
	a No Spindle Plug	S-28622	4	(1) rotary union assembly, (1) hose clamp, (4) machine screws, (1) hose end adapter and (1) jam nut
	b HN Spindle Plug	S-28192	4	(1) rotary union assembly, (1) 1.75" spindle plug, (1) hose clamps, (4) machine screws, (1) hubcap gasket, (1) hose end adapter and (1) jam nut
	c HP and HUS/P90 Spindle Plug	S-28193	4	(1) rotary union assembly, (1) 2.75" spindle plug, (1) hose clamps, (4) machine screws, (1) hubcap gasket, (1) hubcap o-ring, (1) hose end adapter and (1) jam nut
13	COUNTERSUNK CAP SCREW	SA-8200-8	12	Order (3) per rotary union
14	JAM NUT	VS-26487	4	
15	AXLE VENT KIT W/ DUCK BILL CHECK	VS-27378	4	



TIREMAX® TIRE HOSES

ITEM	DESCRIPTION	PART NO.	QTY. PER TANDEM	NOTE
16	TIRE HOSE - 180-DEGREE FITTING			
a	Stainless Steel Tire Hose 11.5"	VS-29004-1	4	Dual tire size 17" - 19.5"
b	Stainless Steel Tire Hose 15"	VS-29004-2	4	Dual tire size greater than 19.5"
17	TIRE HOSE - STRAIGHT FITTING			
a	Stainless Steel Tire Hose 16.6"	VS-29003-1	4	Dual tire size greater than 17"; Super single tire size 22.5"
18	TEE FITTING	VS-29854	4	For dual tires
19	90-DEGREE ELBOW FITTING	VS-30002	4	For super single tires
20	TEE FITTING GUARD			
a	HN and HP, Standard Bolt-On	VS-27890	4	For use with dual dynamic hubcaps
b	HN and HP, Extended Bolt-On (Not Shown)	VS-30451	4	For use with Stemco extended hubcaps
c	HUS Bolt-on	S-28914	4	6 bolts

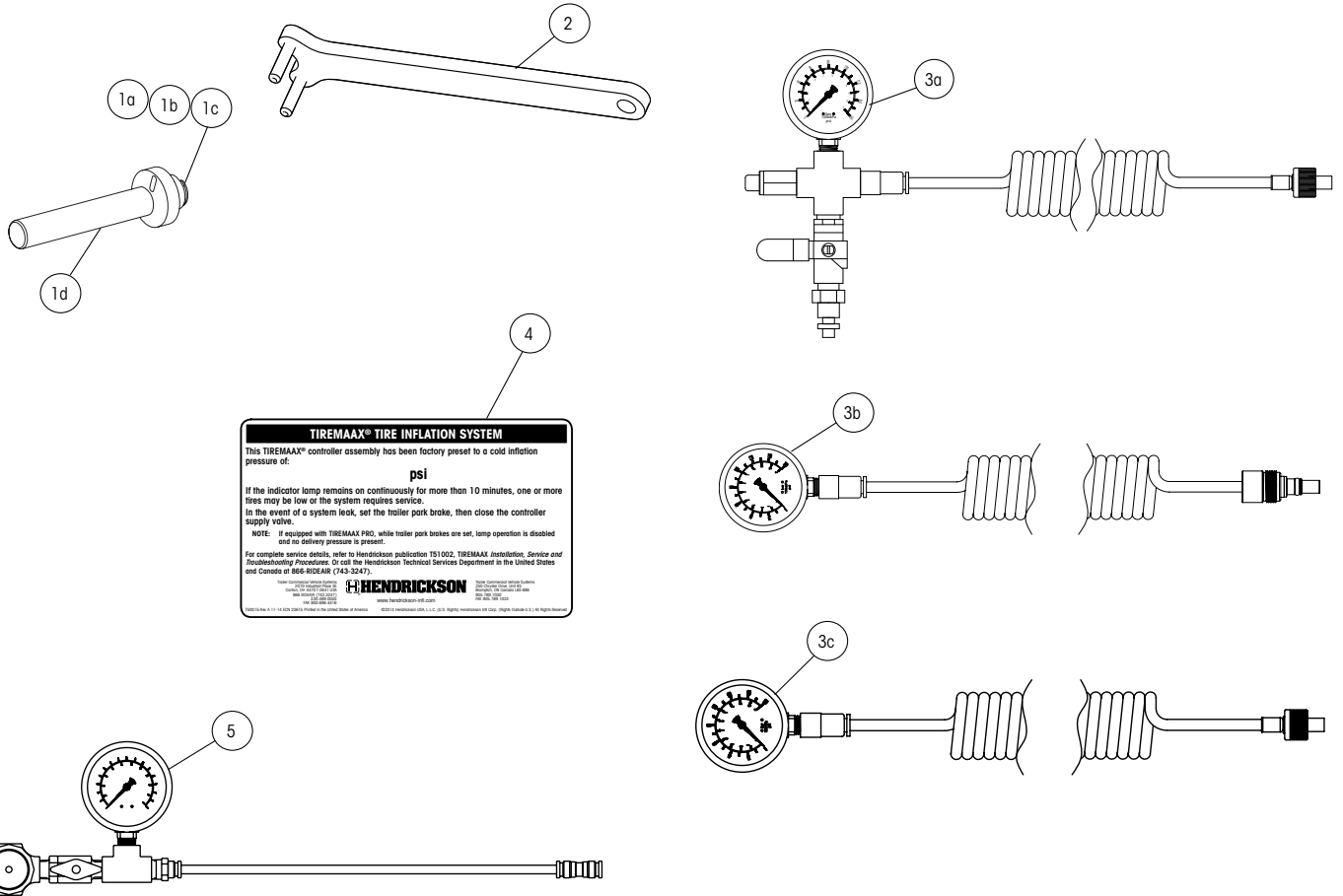


TIREMAX® EC and CP (With Spindle-Mounted Rotary Union)



TIREMAAX® TOOLS / ACCESSORIES

ITEM	DESCRIPTION	PART NO.	QTY.	NOTE
1	PLUG DRIVER			
	a HN (1.75")	S-28146-1	1	
	b HP (2.50")	S-28146-2	1	
	c HP and HUS® / P90 (2.75")	S-28146-3	1	
	d Driver Handle	S-27399	1	
2	SPANNER WRENCH	S-29430	1	
3	TARGET GAUGE			
	a PRO	VS-32331	1	
	b CP with Hubcap-Mounted Rotary Union	VS-32344	1	
	c CP with Spindle-Mounted Rotary Union	VS-30468	1	
4	BLANK PSI DECAL	T50015	1	Fill in and adhere to controller lid after resetting cold tire pressure
5	PRESSURE TESTER	VS-28707	1	For EC controller
6	TIRE HOSE / WHEEL GROMMET (Not Shown)			
	a 1.5" Hand Hole with Offset Valve Stem	VS-33675	2	(2) Grommets per kit
	b 2.0" Hand Hole with Centered Valve Stem	VS-33107	2	(2) Grommets per kit
	c 2.5" Hand Hole with Centered Valve Stem	VS-33108	2	(2) Grommets per kit
	d 2.5" Hand Hole with Offset Valve Stem	VS-33109	2	(2) Grommets per kit



TOOLS / ACCESSORIES



Actual product performance may vary depending upon vehicle configuration, operation, service and other factors.

*All applications must comply with applicable Hendrickson specifications and must be approved by the respective vehicle manufacturer with the vehicle in its original, as-built configuration.
Contact Hendrickson for additional details regarding specifications, applications, capacities, and operation, service and maintenance instructions.*

Call Hendrickson at 330.489.0045 or 866.RIDEAIR (743.3247) for additional information.



www.hendrickson-intl.com

TRAILER COMMERCIAL VEHICLE SYSTEMS

2070 Industrial Place SE
Canton, OH 44707-2641 USA
866.RIDEAIR (743.3247)
330.489.0045 • Fax 800.696.4416

Hendrickson Canada

250 Chrysler Drive, Unit #3
Brampton, ON Canada L6S 6B6
800.668.5360
905.789.1030 • Fax 905.789.1033

Hendrickson Mexicana

Circuito El Marqués Sur #29
Parque Industrial El Marqués
Pob. El Colorado, Municipio El Marqués,
Querétaro, México C.P. 76246
+52 (442) 296.3600 • Fax +52 (442) 296.3601

L878 Rev Q 11-20

© 2004 - 2020 Hendrickson USA, L.L.C. All Rights Reserved. All trademarks shown are owned by Hendrickson USA, L.L.C., or one of its affiliates, in one or more countries.
Information contained in this literature was accurate at the time of publication. Product changes may have been made after the copyright date that are not reflected.

Printed in United States of America