

# **H PARTS LIST**

## **HT190U UNDERSLUNG**

LIT NO: L83

DATE: June 2019

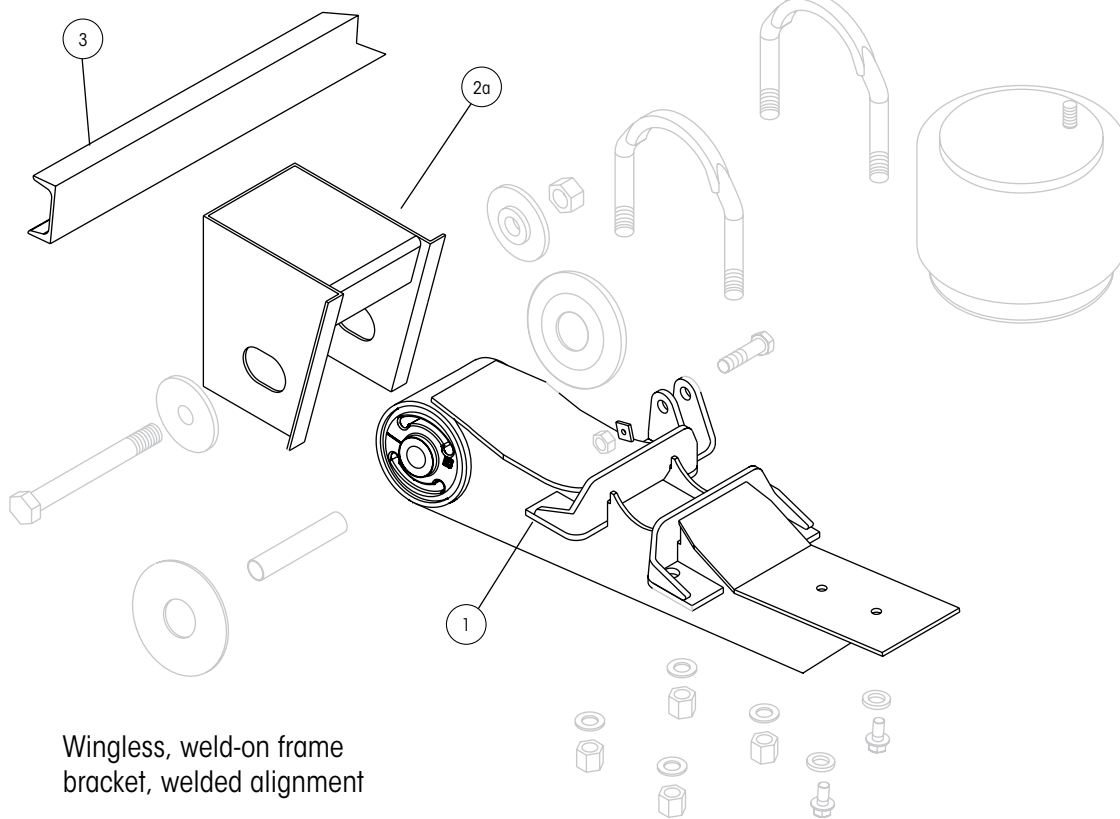
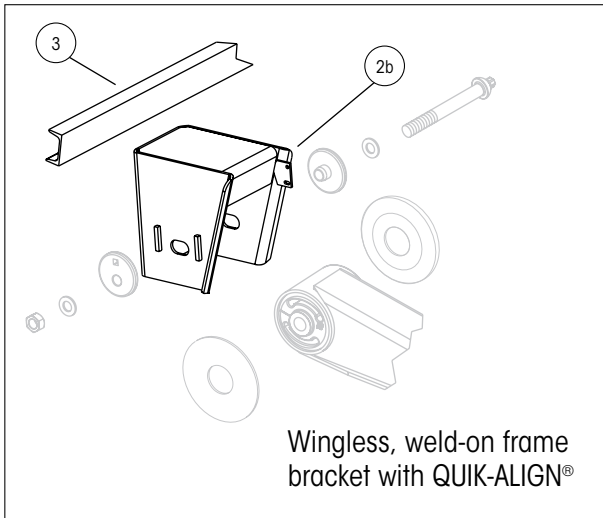
REVISION: E

---





Picture shown may not resemble all models.





# HT190U UNDERSLUNG PARTS LIST

ITEM	DESCRIPTION	PART NO.	QTY. PER SUSP.	FITS MODELS	HT190 ?	or N-HT190?
<b>1</b>	<b>BEAM ASSEMBLY<sup>1</sup></b>					
	Roadside	D-20200-1	1	U-6-020	U-7-001	U-7-020
	Curbside	D-20200-2	1	U-7-021	U-7-024	U-7.5-001
				U-7.5-020	U-7.5-501	U-7.5-517
				U-9-001	U-9-003	U-9-020
				U-9-022	U-9-024	U-9-030
				U-12-001	U-12-030	U-12-031
				UB6-020	UB6-022	UB6-030
				UB7-001	UB7-020	UB7-021
				UB7.5-001	UB7.5-020	UB9-001
				UB12-001	UB12-003	
	Roadside	D-20333-1	1	U-6.75-001	U-6.75-002	U-6.75-003
	Curbside	D-20333-2	1	U-6.75-020		
	Roadside	D-20663-1	1	U-9-007		
	Curbside	D-20663-2	1			
<b>2</b>	<b>FRAME BRACKET</b>					
	<b>2a Wingless, Weld-on, Welded Alignment</b>					
	Roadside	S-20211	1	U-9-001	U-9-007	U-9-020
	Curbside	S-20065-2	1	U-9-022	U-9-024	
	Roadside	S-20216	1	U-6-020	U-7-001	U-7-020
	Curbside	S-20064-2	1	U-7-024	U-7.5-001	U-7.5-020
				U-7.5-501	U-7.5-517	
	Roadside and Curbside	C-20222	1 each	U-6.75-001	U-6.75-002	U-6.75-003
				U-6.75-020	U-7-021	
	Roadside	D-15188-1	1	U-12-001		
	Curbside	S-14190-2	1			
	Roadside	S-14959-1	1	U-12-031		
	Curbside	S-14959-2	1			
	<b>2b Wingless, Weld-on, QUIK-ALIGN®</b>					
	Roadside	S-22580	1	UB6-020	UB6-030	UB7-001
	Curbside	S-21590-2	1	UB7-020	UB7-021	UB7.5-001
				UB7.5-020		
	Roadside	D-22601	1	UB9-001	UB9-020	
	Curbside	S-21592-2	1			
	Roadside	D-23265-1	1	UB12-001		
	Curbside	S-23461-2	1			
<b>3</b>	<b>FRAME BRACKET C-CHANNEL</b>	A-1631-19	1	All models		

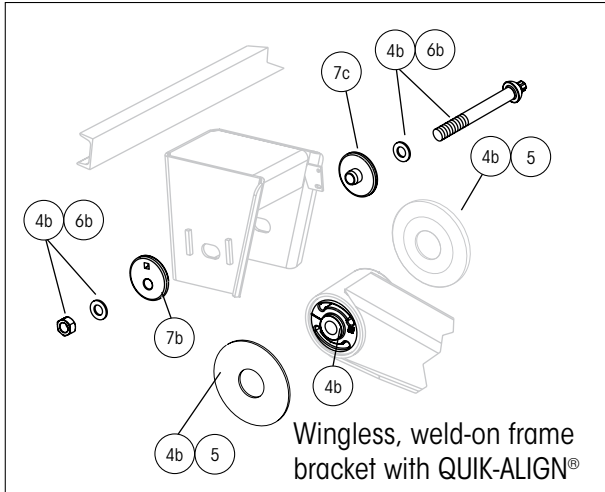
1. Lower shock mount is included with beam assembly (not available for individual sale).

NOTE: Identification tag can be found on the front of the roadside frame bracket or the inside of the curbside beam.

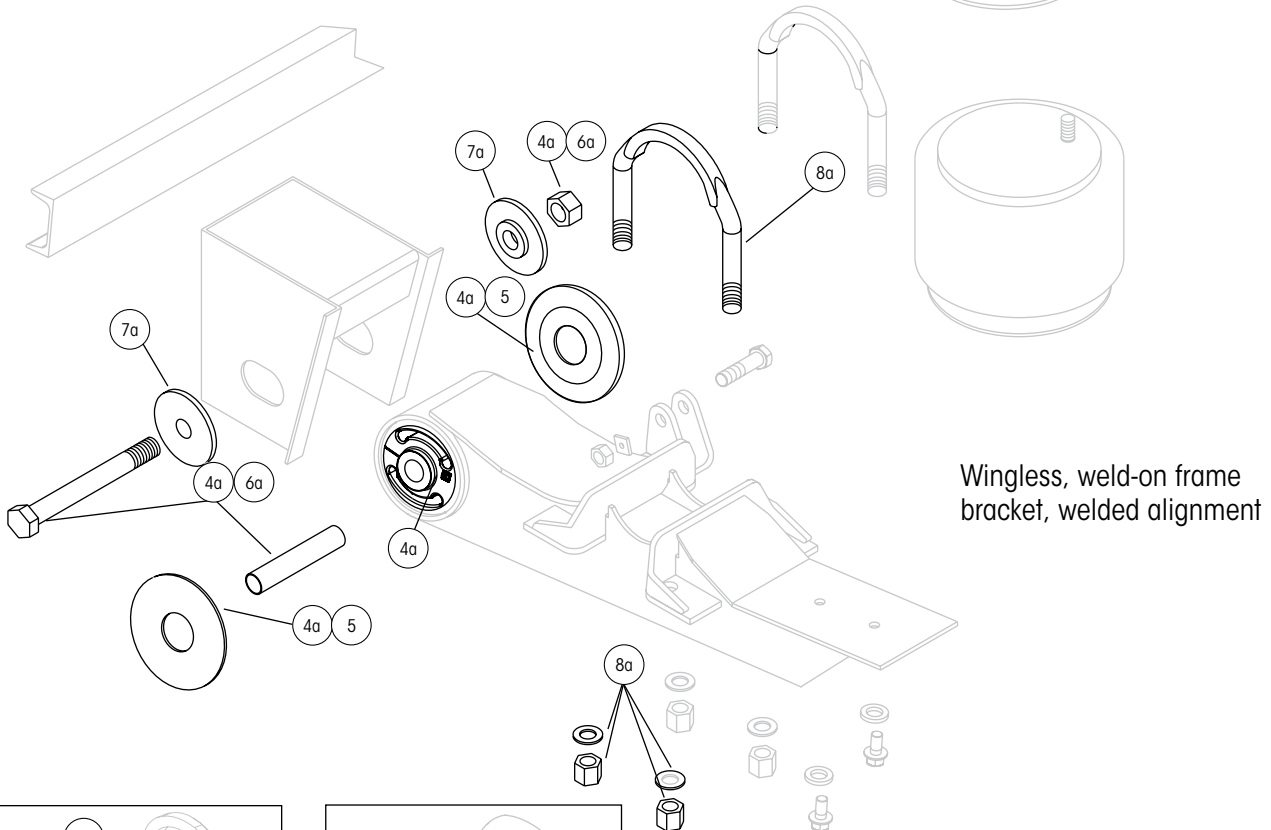
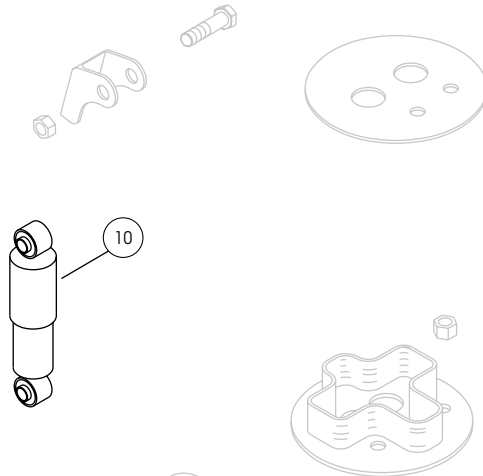
# HT190U UNDERSLUNG PARTS LIST



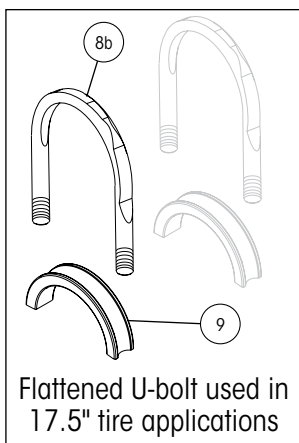
Picture shown may not resemble all models.



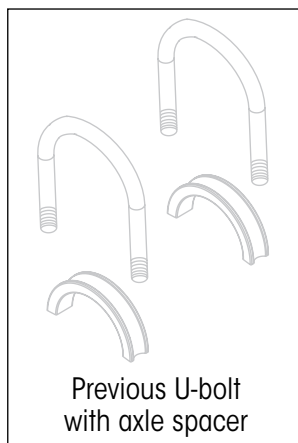
Wingless, weld-on frame bracket with QUIK-ALIGN®



Wingless, weld-on frame bracket, welded alignment



Flattened U-bolt used in 17.5" tire applications



Previous U-bolt with axle spacer



# HT190U UNDERSLUNG PARTS LIST

ITEM	DESCRIPTION	PART NO.	QTY. PER SUSP.	FITS MODELS	HT190 ? or N-HT190 ?	
<b>4</b>	<b>TRI-FUNCTIONAL® II BUSHING KIT<sup>2</sup></b>					
	<b>4a Welded Alignment</b>	S-6914	2	Includes bushing, bushing tube spacers, cap screw, prevailing torque hex nut, liner and lube		
	<b>4b QUIK-ALIGN®</b>	S-24691	2	Includes bushing, bushing tube spacers, round head bolt, prevailing torque hex nut, hardened washers and lube		
<b>5</b>	<b>BUSHING TUBE SPACER</b>	S-21099	4	All models		
<b>6</b>	<b>PIVOT BOLT KIT</b>					
	<b>6a Welded Alignment</b>	S-3646	2	Includes cap screw, prevailing torque hex nut and liner		
	<b>6b QUIK-ALIGN</b>	S-24679	2	Includes round head bolt, hardened washers and prevailing torque hex nut		
<b>7</b>	<b>ALIGNMENT COLLARS</b>					
	<b>7a Welded Alignment</b>	S-2770	4	Collars are welded to frame bracket		
	<b>7b Eccentric, QUIK-ALIGN (outer)</b>	S-20925	2	Alignment hole is off center		
	<b>7c Concentric, QUIK-ALIGN (inner)</b>	S-20924	2	Alignment hole is centered		
<b>8</b>	<b>U-BOLT KIT</b>			Includes (1) U-bolt and hardware		
	<b>8a Standard</b> (with stepped U-bolt)	S-21140/4	4	U-6.75-001	U-6.75-002	U-6.75-003
				U-7-001	U-7-021	U-7-024
				U-7.5-001	U-7.5-501	U-7.5-517
				U-9-001	U-9-003	U-9-007
				U-9-022	U-9-024	U-9-030
				U-12-001	U-12-030	U-12-031
				UB6-030	UB7-001	UB7.5-001
				UB9-001	UB12-001	UB12-003
	<b>8b Flattened<sup>3</sup></b>	S-22894/4	4	U-6-020	U-6.75-020	U-7-020
				UB6-020	UB6-022	UB7-020
				UB7-021	UB9-020	
<b>9</b>	<b>AXLE SPACER<sup>4</sup></b>	S-20701	4	Axle spacer is not needed with new stepped U-bolt. For use with flattened U-bolt only.		
<b>10</b>	<b>SHOCK ABSORBER</b>	S-20001	2	U-6-020	U-7-001	U-7-020
				U-7-021	U-7-024	U-7.5-001
				U-7.5-020	U-7.5-501	U-9-001
				U-9-003	U-9-007	U-9-020
				U-9-024	U-9-030	U-12-001
				U-12-030	U-12-031	UB6-020
				UB6-022	UB6-030	UB7-001
				UB7-020	UB7.5-001	UB7.5-020
				UB9-001	UB9-020	UB12-001
				UB12-003		
		S-20002	2	U-7.5-517		
		S-2212	2	U-6.75-001	U-6.75-002	U-6.75-003
				U-6.75-020		
		S-23649	2	U-9-022	UB7-021	
<b>11</b>	<b>SHOCK STRAP KIT</b> (Not Shown)			Includes (4) nylon ties and (2) shock straps		
		S-14587-1	1	Use with S-20001 or S-20002 shock		
		S-14587-3	1	Use with S-2212 shock		
		S-23086-5	1	Use with S-23649 shock		

2. Bushing tool S-21307 is required to correctly re-bush the suspension.

3. Must order axle spacer (item #9).

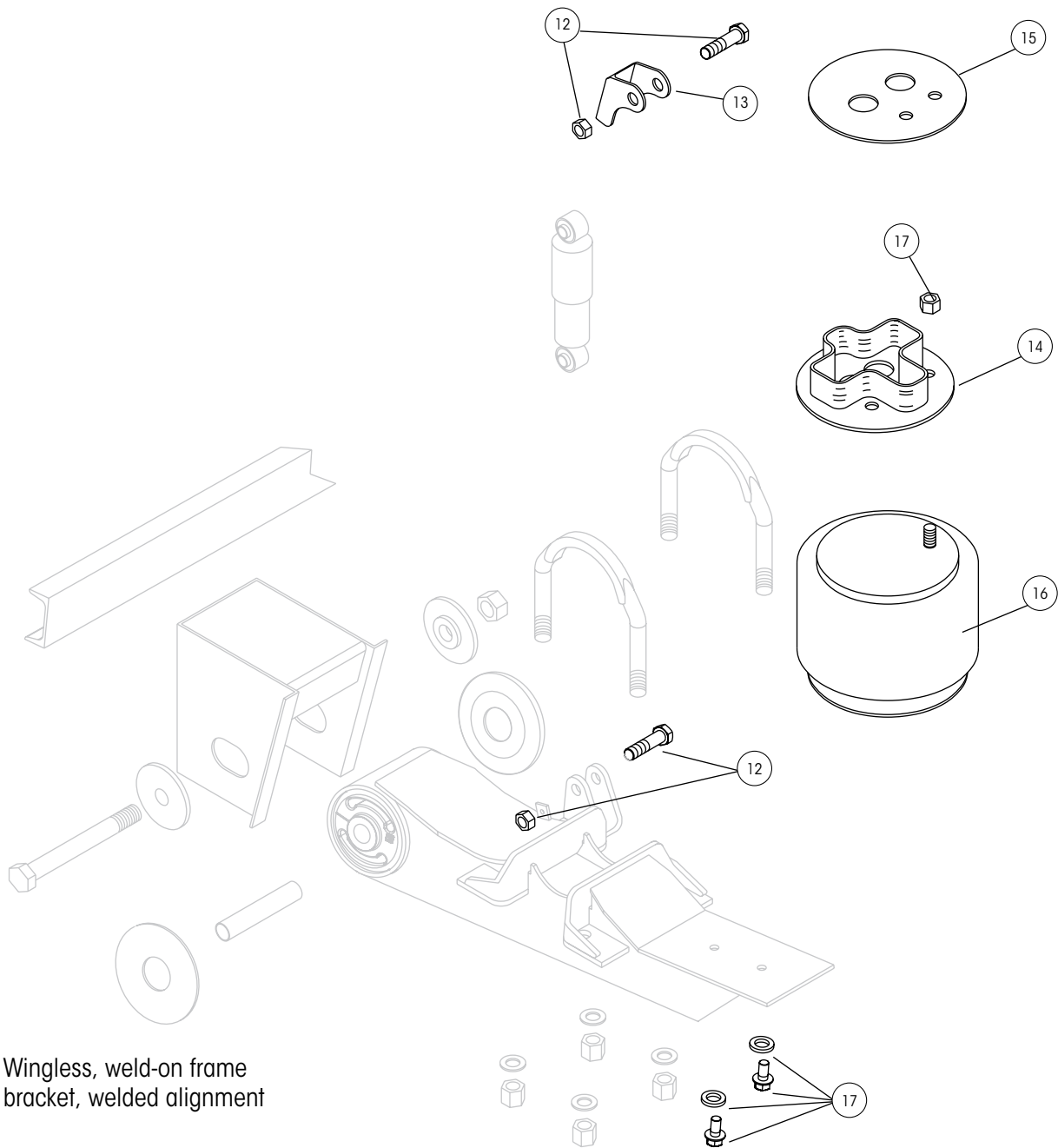
4. Must order with flattened U-bolt (item #8b).

NOTE: Identification tag can be found on the front of the roadside frame bracket or the inside of the curbside beam.

# HT190U UNDERSLUNG PARTS LIST



Picture shown may not resemble all models.



Wingless, weld-on frame  
bracket, welded alignment



*Actual product performance may vary depending upon vehicle configuration, operation, service and other factors.  
All applications must comply with applicable Hendrickson specifications and must be approved by the respective vehicle manufacturer with the vehicle in its original, as-built configuration.  
Contact Hendrickson for additional details regarding specifications, applications, capacities, and operation, service and maintenance instructions.*

**Call Hendrickson at 330.489.0045 or 866.RIDEAIR (743.3247) for additional information.**



[www.hendrickson-intl.com](http://www.hendrickson-intl.com)

**TRAILER COMMERCIAL VEHICLE SYSTEMS**

2070 Industrial Place SE  
Canton, OH 44707-2641 USA  
866.RIDEAIR (743.3247)  
330.489.0045 • Fax 800.696.4416

**Hendrickson Canada**

250 Chrysler Drive, Unit #3  
Brampton, ON Canada L6S 6B6  
800.668.5360  
905.789.1030 • Fax 905.789.1033

**Hendrickson Mexicana**

Circuito El Marqués Sur #29  
Parque Industrial El Marqués  
Pob. El Colorado, Municipio El Marqués,  
Querétaro, México C.P. 76246  
+52 (442) 296.3600 • Fax +52 (442) 296.3601

L83 Rev E 06-19

© 1999 – 2019 Hendrickson USA, L.L.C. All Rights Reserved. All trademarks shown are owned by Hendrickson USA, L.L.C., or one of its affiliates, in one or more countries.  
Information contained in this literature was accurate at the time of publication. Product changes may have been made after the copyright date that are not reflected.

Printed in United States of America