

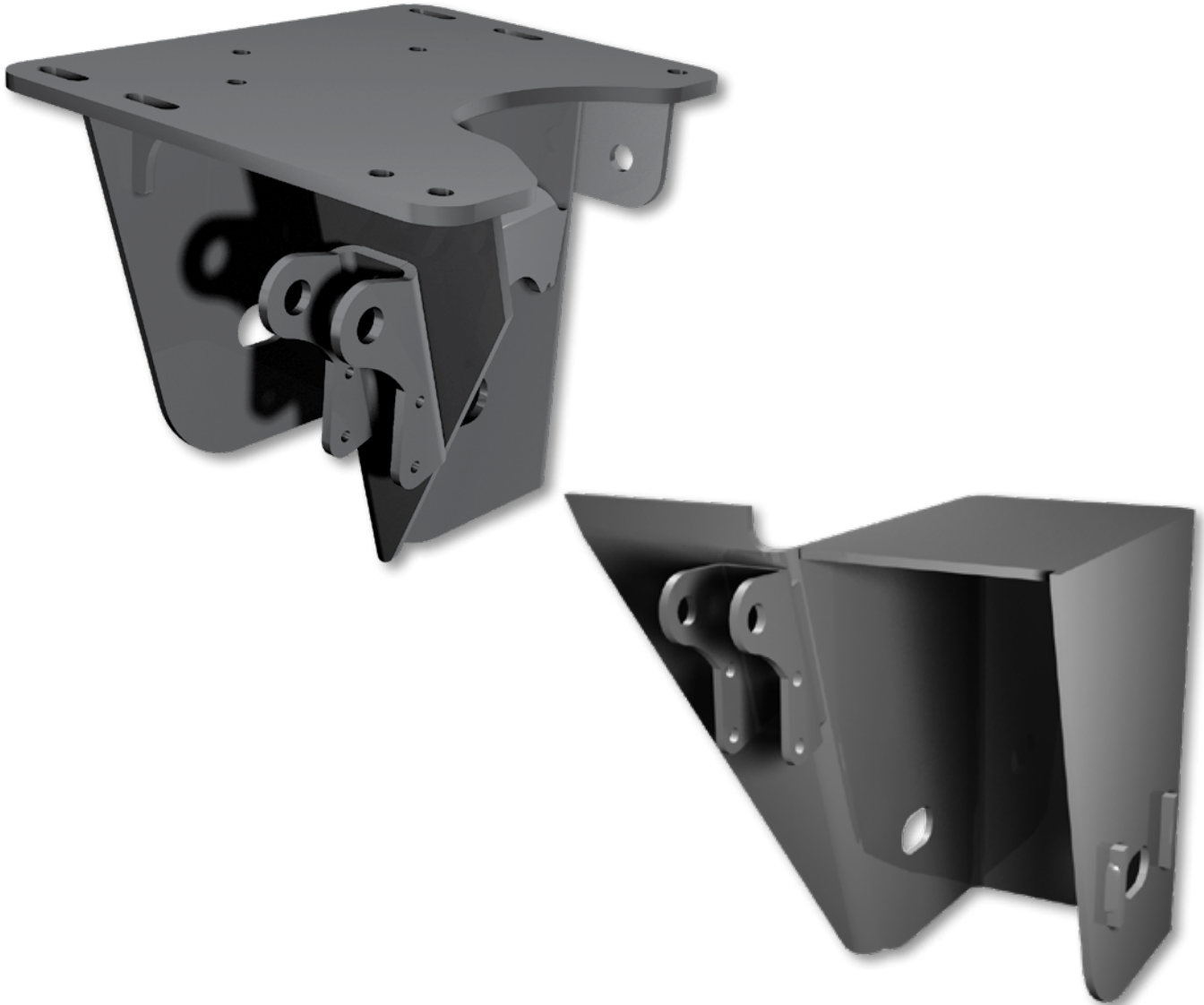
# PARTS LIST

## FRAME BRACKETS

LIT NO: L1266

DATE: June 2020

REVISION: H



### TABLE OF CONTENTS

INTRAAX® – Integrated Air Suspension Systems .....	2
VANTRAAX® – Integrated Air Suspension Systems .....	9
CONNEX® ST – Self-Steer Suspension System .....	10
CONNEX® – Unitized Air Suspension Systems .....	10
HT™ Series – Air Suspensions .....	11



**INTRAAX® AANT 23K**

<b>1. WELD-ON FRAME BRACKETS</b>			
<b>RIDE HEIGHT (INCHES)</b>	<b>DESCRIPTION</b>	<b>PART NUMBER</b>	
		<b>ROADSIDE</b>	<b>CURBSIDE</b>
<b>12.0</b>	Standard, winged, steel	S-27067-4L	S-27067-4R
	Tapered, winged, steel	S-26105-1L	S-26105-1R
	Standard, wingless, steel	S-27320-16L	S-27320-16R
	Tapered, wingless, steel	S-26104-1L	S-26104-1R
	Standard, winged, stainless steel	S-36535-1L	S-36535-1R
<b>13.5 14.0 15.0</b>	Standard, winged, steel	S-27067-4L	S-27067-4R
	Tapered, winged, steel	S-26105-1L	S-26105-1R
	Tapered, winged, steel, flush mount	S-26119-1L	S-26119-1R
	Standard, winged, steel, flush mount	S-27320-10L	S-27320-10R
	Standard, winged, steel, flush side mount	S-27320-22L	S-27320-22R
	Standard, wingless, steel	S-27320-16L	S-27320-16R
	Tapered, wingless, steel	S-26104-1L	S-26104-1R
<b>13.5 14.0 15.0 HIGH CONTROL</b>	Standard, winged, stainless steel	S-36535-1L	S-36535-1R
	Standard, winged, steel	S-27067-5L	S-27067-5R
	Tapered, winged, steel	S-26105-2L	S-26105-2R
	Standard, winged, steel, flush mount	S-27320-11L	S-27320-11R
	Standard, winged, steel, flush side mount	S-27320-23L	S-27320-23R
	Standard, wingless, steel	S-27320-17L	S-27320-17R
	Tapered, wingless, steel	S-26104-2L	S-26104-2R
<b>16.0 17.0</b>	Standard, winged, stainless steel	S-36535-2L	S-36535-2R
	Standard, winged, steel	S-27067-5L	S-27067-5R
	Tapered, winged, steel	S-26105-2L	S-26105-2R
	Tapered, winged, steel, flush mount	S-26119-2L	S-26119-2R
	Standard, winged, steel, flush mount	S-27320-11L	S-27320-11R
	Standard, winged, steel, flush side mount	S-27320-23L	S-27320-23R
	Standard, wingless, steel	S-27320-17L	S-27320-17R
	Tapered, wingless, steel	S-26104-2L	S-26104-2R
<b>16.0 17.0 HIGH CONTROL</b>	Standard, winged, stainless steel	S-36535-2L	S-36535-2R
	Standard, winged, steel	S-27067-6L	S-27067-6R
	Tapered, winged, steel	S-26105-3L	S-26105-3R
	Standard, winged, steel, flush mount	S-27320-12L	S-27320-12R
	Standard, winged, steel, flush side mount	S-27320-24L	S-27320-24R
	Standard, wingless, steel	S-27320-18L	S-27320-18R
<b>18.0 19.0</b>	Tapered, wingless, steel	S-26104-3L	S-26104-3R
	Standard, winged, steel	S-27067-6L	S-27067-6R
	Tapered, winged, steel	S-26105-3L	S-26105-3R
	Standard, winged, steel, flush mount	S-27320-12L	S-27320-12R
	Standard, winged, steel, flush side mount	S-27320-24L	S-27320-24R
	Standard, wingless, steel	S-27320-18L	S-27320-18R
<b>18.0 19.0</b>	Tapered, wingless, steel	S-26104-3L	S-26104-3R

NOTE: All part numbers listed are coated with black primer. Other options may exist. Please contact Hendrickson for assistance.



2. BOLT-ON FRAME BRACKETS			
RIDE HEIGHT (INCHES)	PATTERN TYPE	UNIVERSAL BOLT-ON <sup>1</sup>	
		ROADSIDE	CURBSIDE
13.5 14.0 15.0	Standard - 1/2"	S-36562-1L	S-36562-1R
	Pattern 1 - 1/2"		
	Pattern 2 - 1/2"		
	Pattern 3 - 1/2"	S-36562-2L	S-36562-2R
	Standard - 5/8"		
	Pattern 1 - 5/8"		
	Pattern 2 - 5/8"		
Pattern 3 - 5/8"	S-36562-3L	S-36562-3R	
Standard - 1/2"			
Pattern 1 - 1/2"			
Pattern 2 - 1/2"			
Pattern 3 - 1/2"			
Standard - 5/8"			
Pattern 1 - 5/8"			
Pattern 2 - 5/8"	S-36562-4L	S-36562-4R	
Pattern 3 - 5/8"			
Standard - 1/2"			
Pattern 1 - 1/2"			
16.0 17.0	Pattern 2 - 1/2"	S-36562-3L	S-36562-3R
	Pattern 3 - 1/2"		
	Standard - 5/8"		
	Pattern 1 - 5/8"	S-36562-4L	S-36562-4R
	Pattern 2 - 5/8"		
	Pattern 3 - 5/8"		
	Standard - 1/2"		
Pattern 1 - 1/2"	S-36562-5L	S-36562-5R	
Pattern 2 - 1/2"			
Pattern 3 - 1/2"			
16.0 17.0 HIGH CONTROL	Standard - 5/8"	S-36562-6L	S-36562-6R
	Pattern 1 - 5/8"		
	Pattern 2 - 5/8"		
	Pattern 3 - 5/8"		
	Standard - 1/2"	S-36562-5L	S-36562-5R
	Pattern 1 - 1/2"		
	Pattern 2 - 1/2"		
18.0 19.0	Pattern 3 - 1/2"	S-36562-6L	S-36562-6R
	Standard - 5/8"		
	Pattern 1 - 5/8"		
	Pattern 2 - 5/8"		
	Pattern 3 - 5/8"		

1. As of May 2016, frame bracket mounting patterns 1, 2, 3 and standard have been replaced with the universal bolt-on frame bracket.

Please refer to page 19 for additional information about the frame bracket pattern types.

NOTE: All part numbers listed are coated with black primer. Other options may exist. Please contact Hendrickson for assistance.



**INTRAAX® AAT 23K / 25K / 30K**

<b>1. WELD-ON FRAME BRACKETS</b>			
<b>RIDE HEIGHT (INCHES)</b>	<b>DESCRIPTION</b>	<b>PART NUMBER</b>	
		<b>ROADSIDE</b>	<b>CURBSIDE</b>
13.5 14.0 15.0	Standard, winged, steel	S-21028-1	S-21028-2
	Standard, winged, steel, weld-on top plate	S-21028-3	S-21028-4
	Standard, wingless, steel	S-21905-1	S-21905-2
	Standard, wingless, steel, extended	S-23000-1	S-23000-2
	Standard, winged, stainless steel	S-36680-1L	S-36680-1R
13.5 14.0 15.0 <b>HIGH CONTROL</b>	Standard, winged, steel	S-21626-1	S-21626-2
	Standard, wingless, steel	S-23000-1	S-23000-2
	Standard, winged, stainless steel	S-36680-3L	S-36680-3R
16.0 17.0	Standard, winged, steel	S-21082-1	S-21082-2
	Standard, winged, steel, weld-on top plate	S-21082-3	S-21082-4
	Standard, wingless, steel	S-21906-1	S-21906-2
	Standard, winged, stainless steel	S-36680-2L	S-36680-2R
16.0 17.0 <b>HIGH CONTROL</b>	Standard, winged, steel	S-22872-1	S-22872-2
	Standard, wingless, steel	S-24851-1	S-24851-2
18.0 19.0	Standard, winged, steel	S-21083-1	S-21083-2
	Standard, wingless, steel	S-22770-1	S-22770-2

<b>2. BOLT-ON FRAME BRACKETS</b>			
<b>RIDE HEIGHT (INCHES)</b>	<b>PATTERN TYPE</b>	<b>UNIVERSAL BOLT-ON<sup>1</sup></b>	
		<b>ROADSIDE</b>	<b>CURBSIDE</b>
13.5 14.0 15.0	Standard - 1/2"	S-36566-1L	S-36566-1R
	Standard - 5/8"	S-36566-2L	S-36566-2R
	Pattern 1 - 5/8"		
	Pattern 3 - 5/8"		
13.5 14.0 15.0 <b>HIGH CONTROL</b>	Standard - 1/2"	S-36566-5L	S-36566-5R
	Standard - 5/8"	S-36566-6L	S-36566-6R
16.0 17.0	Standard - 1/2"	S-36566-3L	S-36566-3R
	Standard - 5/8"	S-36566-4L	S-36566-4R
	Pattern 1 - 5/8"		
	Pattern 3 - 5/8"		
16.0 17.0 <b>HIGH CONTROL</b>	Standard - 1/2"	S-36567-1L	S-36567-1R
	Standard - 5/8"	S-36567-2L	S-36567-2R
18.0 19.0	Standard - 1/2"	S-36567-3L	S-36567-3R
	Standard - 5/8"	S-36567-4L	S-36567-4R

1. As of May 2016, frame bracket mounting patterns 1, 2, 3 and standard have been replaced with the universal bolt-on frame bracket. Please refer to page 19 for additional information about the frame bracket pattern types.

NOTE: All part numbers listed are coated with black primer. Other options may exist. Please contact Hendrickson for assistance.



**INTRAAX® AAEDT 30K**

<b>1. WELD-ON FRAME BRACKETS</b>			
<b>RIDE HEIGHT (INCHES)</b>	<b>DESCRIPTION</b>	<b>PART NUMBER</b>	
		<b>ROADSIDE</b>	<b>CURBSIDE</b>
14.0	Standard, winged, steel	S-24766-3L	S-24766-3R
	Standard, wingless, steel	S-24767-3L	S-24767-3R
15.0	Standard, winged, steel	S-24766-4L	S-24766-4R
	Standard, wingless, steel	S-24767-4L	S-24767-4R
16.0 17.0	Standard, winged, steel	S-24766-5L	S-24766-5R

<b>2. BOLT-ON FRAME BRACKETS</b>			
<b>RIDE HEIGHT (INCHES)</b>	<b>PATTERN TYPE</b>	<b>UNIVERSAL BOLT-ON<sup>1</sup></b>	
		<b>ROADSIDE</b>	<b>CURBSIDE</b>
14.0	Standard - 1/2"	S-36564-3L	S-36564-3R
	Standard - 5/8"	S-36564-4L	S-36564-4R
	Pattern 1 - 5/8"		
	Pattern 3 - 5/8"		
15.0	Standard - 1/2"	S-36565-1L	S-36565-1R
	Standard - 5/8"	S-36565-2L	S-36565-2R
	Pattern 3 - 5/8"		
16.0 17.0	Standard - 1/2"	S-36565-3L	S-36565-3R
	Standard - 5/8"	S-36565-4L	S-36565-4R
	Pattern 3 - 5/8"		

**INTRAAX AANLS 20K**

<b>1. WELD-ON FRAME BRACKETS</b>			
<b>RIDE HEIGHT (INCHES)</b>	<b>DESCRIPTION</b>	<b>PART NUMBER</b>	
		<b>ROADSIDE</b>	<b>CURBSIDE</b>
6.25 7.0	Standard, winged, steel	S-26150-1L	S-26150-1R
	Standard, winged, steel, flush mount	S-26874-1L	S-26874-1R
9.0	Standard, winged, steel	S-26150-2L	S-26150-2R
	Standard, winged, steel, flush mount	S-26874-2L	S-26874-2R
12.0	Standard, winged, steel	S-27067-5L	S-27067-5R
	Standard, winged, stainless steel	S-36535-2L	S-36535-2R

1. As of May 2016, frame bracket mounting patterns 1, 2, 3 and standard have been replaced with the universal bolt-on frame bracket. Please refer to page 19 for additional information about the frame bracket pattern types.

NOTE: All part numbers listed are coated with black primer. Other options may exist. Please contact Hendrickson for assistance.



INTRAAX® AANL 23K

1. WELD-ON FRAME BRACKETS			
RIDE HEIGHT (INCHES)	DESCRIPTION	PART NUMBER	
		ROADSIDE	CURBSIDE
6.5 7.5	Standard, winged, steel	S-29184-1L	S-29184-1R
	Standard, winged, steel, chamfered	S-29183-1L	S-29183-1R
	Standard, winged, steel, flush mount	S-29198-1L	S-29198-1R
	Standard, wingless, steel	S-29198-3L	S-29198-3R
8.0 9.0	Standard, winged, steel	S-29184-2L	S-29184-2R
	Standard, winged, steel, chamfered	S-29183-2L	S-29183-2R
	Standard, winged, steel, flush mount	S-29198-2L	S-29198-2R
	Standard, wingless, steel	S-29198-4L	S-29198-4R
12.0	Standard, winged, steel	S-27067-4L	S-27067-4R
	Tapered, winged, steel	S-26105-1L	S-26105-1R
	Tapered, winged, steel, flush mount	S-26119-1L	S-26119-1R
	Standard, winged, steel, flush mount	S-27320-10L	S-27320-10R
	Standard, winged, steel, flush side mount	S-27320-22L	S-27320-22R
	Standard, wingless, steel	S-27320-16L	S-27320-16R
	Tapered, wingless, steel	S-26104-1L	S-26104-1R
	Standard, winged, stainless steel	S-36535-1L	S-36535-1R
14.0 15.0	Standard, winged, steel	S-27067-5L	S-27067-5R
	Tapered, winged, steel	S-26105-2L	S-26105-2R
	Tapered, winged, steel, flush mount	S-26119-2L	S-26119-2R
	Standard, winged, steel, flush mount	S-27320-11L	S-27320-11R
	Standard, winged, steel, flush side mount	S-27320-23L	S-27320-23R
	Standard, wingless, steel	S-27320-17L	S-27320-17R
	Tapered, wingless, steel	S-26104-2L	S-26104-2R
	Standard, winged, stainless steel	S-36535-2L	S-36535-2R
16.0 17.0	Standard, winged, steel	S-27067-6L	S-27067-6R
	Tapered, winged, steel	S-26105-3L	S-26105-3R
	Standard, winged, steel, flush mount	S-27320-12L	S-27320-12R
	Standard, winged, steel, flush side mount	S-27320-24L	S-27320-24R
	Standard, wingless, steel	S-27320-18L	S-27320-18R
	Tapered, wingless, steel	S-26104-3L	S-26104-3R
	Standard, winged, stainless steel	S-36535-3L	S-36535-3R

NOTE: All part numbers listed are coated with black primer. Other options may exist. Please contact Hendrickson for assistance.



<b>2. BOLT-ON FRAME BRACKETS</b>			
<b>RIDE HEIGHT (INCHES)</b>	<b>PATTERN TYPE</b>	<b>UNIVERSAL BOLT-ON<sup>1</sup></b>	
		<b>ROADSIDE</b>	<b>CURBSIDE</b>
<b>6.5 7.5</b>	Standard - 1/2" countersunk <sup>2</sup>	S-36561-1L	S-36561-1R
	Standard - 5/8" countersunk <sup>2</sup>	S-36561-3L	S-36561-3R
	Pattern 1 - 5/8" countersunk <sup>2</sup>	S-36561-5L	S-36561-5R
	Pattern 3 - 5/8" countersunk <sup>2</sup>	S-36561-7L	S-36561-7R
<b>8.0 9.0</b>	Standard - 1/2" countersunk <sup>2</sup>	S-36561-2L	S-36561-2R
	Standard - 5/8" countersunk <sup>2</sup>	S-36561-4L	S-36561-4R
	Pattern 1 - 5/8" countersunk <sup>2</sup>	S-36561-6L	S-36561-6R
	Pattern 3 - 5/8" countersunk <sup>2</sup>	S-36561-8L	S-36561-8R
<b>12.0</b>	Standard - 1/2"	S-36562-1L	S-36562-1R
	Pattern 1 - 1/2"		
	Pattern 2 - 1/2"		
	Pattern 3 - 1/2"	S-36562-2L	S-36562-2R
	Standard - 5/8"		
	Pattern 1 - 5/8"		
	Pattern 2 - 5/8"		
Pattern 3 - 5/8"			
<b>14.0 15.0</b>	Standard - 1/2"	S-36562-3L	S-36562-3R
	Pattern 1 - 1/2"		
	Pattern 2 - 1/2"		
	Pattern 3 - 1/2"	S-36562-4L	S-36562-4R
	Standard - 5/8"		
	Pattern 1 - 5/8"		
	Pattern 2 - 5/8"		
	Pattern 3 - 5/8"		
<b>16.0 17.0</b>	Standard - 1/2"	S-36562-5L	S-36562-5R
	Pattern 1 - 1/2"		
	Pattern 2 - 1/2"		
	Pattern 3 - 1/2"	S-36562-6L	S-36562-6R
	Standard - 5/8"		
	Pattern 1 - 5/8"		
	Pattern 2 - 5/8"		
	Pattern 3 - 5/8"		

- As of May 2016, frame bracket mounting patterns 1, 2, 3 and standard have been replaced with the universal bolt-on frame bracket. Please refer to page 19 for additional information about the frame bracket pattern types.
- Countersunk frame brackets require a special bolt kit, S-30476-2/2 (1/2" bolt hole center) and S-30476-1/2 (5/8" bolt hole center). One kit per frame bracket.

NOTE: All part numbers listed are coated with black primer. Other options may exist. Please contact Hendrickson for assistance.



**INTRAAX® AAL 23K / 25K / 30K & AAEDL 30K**

<b>1. WELD-ON FRAME BRACKETS</b>			
<b>RIDE HEIGHT (INCHES)</b>	<b>DESCRIPTION</b>	<b>PART NUMBER</b>	
		<b>ROADSIDE</b>	<b>CURBSIDE</b>
6.5 7.5	Standard, winged, steel	S-25401-2L	S-25401-2R
	Standard, wingless, steel	S-24767-1L	S-24767-1R
	Standard, winged, steel, chamfered <sup>1</sup>	S-25947-1L	S-25947-1R
8.0 9.0	Standard, winged, steel	S-25401-1L	S-25401-1R
	Standard, wingless, steel	S-24767-7L	S-24767-7R
12.0	Standard, winged, steel	S-24766-2L	S-24766-2R
	Standard, wingless, steel	S-24767-2L	S-24767-2R
14.0 15.0	Standard, winged, steel	S-24766-3L	S-24766-3R
	Standard, wingless, steel	S-24767-3L	S-24767-3R
	Standard, winged, stainless steel	S-38186-2L	S-38186-2R
16.0 17.0	Standard, winged, steel	S-24766-4L	S-24766-4R
	Standard, wingless, steel	S-24767-4L	S-24767-4R
	Standard, winged, stainless steel	S-38186-3L	S-38186-3R
19.0	Standard, winged, steel	S-24766-5L	S-24766-5R

<b>2. BOLT-ON FRAME BRACKETS</b>			
<b>RIDE HEIGHT<sup>2</sup> (INCHES)</b>	<b>PATTERN TYPE</b>	<b>UNIVERSAL BOLT-ON<sup>3</sup></b>	
		<b>ROADSIDE</b>	<b>CURBSIDE</b>
6.5 7.5	Standard - 1/2" countersunk <sup>4</sup>	S-36563-5L	S-36563-5R
	Standard - 5/8" countersunk <sup>4</sup>	S-36563-6L	S-36563-6R
	Pattern 1 - 5/8" countersunk <sup>4</sup>	S-36563-7L	S-36563-7R
	Pattern 3 - 5/8" countersunk <sup>4</sup>	S-36563-8L	S-36563-8R
8.0 9.0	Standard - 1/2" countersunk <sup>4</sup>	S-36563-1L	S-36563-1R
	Standard - 5/8" countersunk <sup>4</sup>	S-36563-2L	S-36563-2R
	Pattern 1 - 5/8" countersunk <sup>4</sup>	S-36563-3L	S-36563-3R
	Pattern 3 - 5/8" countersunk <sup>4</sup>	S-36563-4L	S-36563-4R
12.0	Standard - 1/2"	S-36564-1L	S-36564-1R
	Standard - 5/8"	S-36564-2L	S-36564-2R
	Pattern 1 - 5/8"		
	Pattern 3 - 5/8"		
14.0 15.0	Standard - 1/2"	S-36564-3L	S-36564-3R
	Standard - 5/8"	S-36564-4L	S-36564-4R
	Pattern 1 - 5/8"		
	Pattern 3 - 5/8"		
16.0 17.0	Standard - 1/2"	S-36565-1L	S-36565-1R
	Standard - 5/8"	S-36565-2L	S-36565-2R
	Pattern 3 - 5/8"		
19.0	Standard - 1/2"	S-36565-3L	S-36565-3R
	Standard - 5/8"	S-36565-4L	S-36565-4R
	Pattern 3 - 5/8"		

1. Not available on INTRAAX AAEDL 30K models.

2. Ride Heights 6.5 & 7.5 inches not available on AAEDL 30K models.

3. As of May 2016, frame bracket mounting patterns 1, 2, 3 and standard have been replaced with the universal bolt-on frame bracket.

Please refer to page 19 for additional information about the frame bracket pattern types.

4. Countersunk frame brackets require a special bolt kit, S-30476-2/2 (1/2" bolt hole center) and S-30476-1/2 (5/8" bolt hole center). One kit per frame bracket.

NOTE: All part numbers listed are coated with black primer. Other options may exist. Please contact Hendrickson for assistance.





**VANTRAA<sup>®</sup> HKANT 23K / 40K / 46K / 69K23**

<b>1. WELD-ON FRAME BRACKETS</b>			
<b>RIDE HEIGHT (INCHES)</b>	<b>PIVOT HEIGHT (INCHES)</b>	<b>PART NUMBER</b>	
		<b>ROADSIDE</b>	<b>CURBSIDE</b>
14.0	8.0	S-28531-1L	S-28531-1R
15.0 15.5 16.0 17.0 17.5	10.0	S-32194-2L	S-32194-2R
18.0 19.0	12.0	S-28531-3L	S-28531-3R

**VANTRAA<sup>®</sup> HKAT 50K / 69K25 / 75K25**

<b>1. WELD-ON FRAME BRACKETS</b>			
<b>RIDE HEIGHT (INCHES)</b>	<b>PIVOT HEIGHT (INCHES)</b>	<b>PART NUMBER</b>	
		<b>ROADSIDE</b>	<b>CURBSIDE</b>
13.5 14.0 15.0	8.0	D-21807-1	D-21807-2
15.5 16.0 17.0	10.0	S-32195-2L	S-32195-2R
17.5 18.0 19.0	12.0	S-32195-3L	S-32195-3R

**VANTRAA<sup>®</sup> HKANT 40K / 46K / 69K23 Equipped with Hendrickson-Installed UBL<sup>™</sup>**

<b>1. WELD-ON FRAME BRACKETS</b>			
<b>RIDE HEIGHT (INCHES)</b>	<b>PIVOT HEIGHT (INCHES)</b>	<b>PART NUMBER</b>	
		<b>ROADSIDE</b>	<b>CURBSIDE</b>
16.0 17.5	10	S-37787-2L	S-37787-2R

**VANTRAA<sup>®</sup> HKANL 23K**

<b>1. WELD-ON FRAME BRACKETS</b>			
<b>RIDE HEIGHT (INCHES)</b>	<b>PIVOT HEIGHT (INCHES)</b>	<b>PART NUMBER</b>	
		<b>ROADSIDE</b>	<b>CURBSIDE</b>
16.0 17.0	12.0	S-27067-6L	S-27067-6R

**VANTRAA<sup>®</sup> HKAL 46K**

<b>1. WELD-ON FRAME BRACKETS</b>			
<b>RIDE HEIGHT (INCHES)</b>	<b>PIVOT HEIGHT (INCHES)</b>	<b>PART NUMBER</b>	
		<b>ROADSIDE</b>	<b>CURBSIDE</b>
10.0	8.0	S-26067-1L	S-26067-1R
11.0	10.0	S-33173-2L	S-33173-2R

NOTE: All part numbers listed are coated with black primer. Other options may exist. Please contact Hendrickson for assistance.



**VANTRAX® HKARL 46K**

1. WELD-ON FRAME BRACKETS			
RIDE HEIGHT (INCHES)	PIVOT HEIGHT (INCHES)	PART NUMBER	
		ROADSIDE	CURBSIDE
9.0 10.0	8.0	S-26067-1L	S-26067-1R
11.0 12.0	10.0	S-33173-2L	S-33173-2R

**CONNEX® ST CXSL 25K**

1. WELD-ON FRAME BRACKETS				
RIDE HEIGHT (INCHES)	PIVOT HEIGHT (INCHES)	DESCRIPTION	PART NUMBER	
			ROADSIDE	CURBSIDE
13.0 14.0 15.0	8.0	Winged	S-21179-1	S-21179-2
		Wingless	S-21590-1	S-21590-2
16.0 17.0	10.0	Winged	S-21165-1	S-21165-2
		Wingless	S-21592-1	S-21592-2
18.0 19.0	12.0	Winged	S-21265-1	S-21265-2
		Wingless	S-22828-3	S-22828-4

2. BOLT-ON FRAME BRACKETS					
RIDE HEIGHT (INCHES)	PIVOT HEIGHT (INCHES)	PATTERN TYPE	DESCRIPTION	UNIVERSAL BOLT-ON	
				ROADSIDE	CURBSIDE
13.0 14.0 15.0	8.0	Standard - 5/8"	Winged	S-36234-1L	S-26234-1R
		Offset - 5/8"		S-36714-1L	S-36714-1R
16.0 17.0	10.0	Standard - 5/8"		S-36234-2L	S-36234-2R
		Offset - 5/8"		S-36714-2L	S-36714-2R
18.0 19.0	12.0	Standard - 5/8"		S-36234-3L	S-36234-3R
		Offset - 5/8"		S-36714-3L	S-36714-3R

**CONNEX CXU 23K / 25K**

1. WELD-ON FRAME BRACKETS				
RIDE HEIGHT (INCHES)	PIVOT HEIGHT (INCHES)	DESCRIPTION	PART NUMBER	
			ROADSIDE	CURBSIDE
5.5 6.5	8.0	Standard travel and wingless	S-22826-1	S-22826-2
6.5		Limited jounce and wingless	S-22826-1	S-22826-2
7.5	10.0	Limited jounce and wingless	S-22827-1	S-22827-2
7.5 9.0		Standard travel and wingless	S-22827-1	S-22827-2

2. BOLT-ON FRAME BRACKETS					
RIDE HEIGHT (INCHES)	PIVOT HEIGHT (INCHES)	PATTERN TYPE	DESCRIPTION	UNIVERSAL BOLT-ON	
				ROADSIDE	CURBSIDE
5.5 6.5	8.375	Standard - 5/8"	Standard travel and wingless	S-37505-1L	S-37505-1R
		Pattern 8 - 5/8"		S-37505-21L	S-37505-21R

NOTE: All part numbers listed are coated with black primer. Other options may exist. Please contact Hendrickson for assistance.



HT™ SERIES HT190T

1. WELD-ON FRAME BRACKETS							
MODELS					DESCRIPTION	PART NUMBER	
						ROADSIDE	CURBSIDE
T-14-001	T-14-002	T-14-005	T-14-009	T-15-001	Wingless, Weld Align	S-20064-1	S-20064-2
T-15-002	T-15-005	T-15-009	T-15-020				
T-16-001	T-16-002	T-16-003	T-16-005	T-16-009	Wingless, Weld Align	S-20065-1	S-20065-2
T-17-001	T-17-002	T-17-005	T-17-009				
TA14-001	TA14-005	TA15-005			Winged, QUIK-ALIGN®	S-21179-1	S-21179-2
TA16-005	TA17-005				Winged, QUIK-ALIGN	S-21165-1	S-21165-2
TB14-001	TB14-005	TB14-024	TB15-001	TB15-002	Wingless, QUIK-ALIGN	S-21590-1	S-21590-2
TB15-005	TB15-024						
TB16-001	TB16-005	TB17-005			Wingless, QUIK-ALIGN	S-21592-1	S-21592-2

HT SERIES HT230T

1. WELD-ON FRAME BRACKETS							
MODELS					DESCRIPTION	PART NUMBER	
						ROADSIDE	CURBSIDE
-14-008	-15-008	-15-025			Wingless, Weld Align	S-20047-1	S-20047-2
-16-008	-17-008				Wingless, Weld Align	S-20048-1	S-20048-2
-14-001	-14-004	-14-005	-14-007	-14-017	Wingless, Weld Align	S-20064-1	S-20064-2
-14-020	-14-021	-14-024	-15-001	-15-003			
-15-005	-15-006	-15-007	-15-009	-15-012			
-15-017	-15-020	-15-026	-15-027	-15-028			
-15-517							
-16-001	-16-004	-16-005	-16-006	-16-007	Wingless, Weld Align	S-20065-1	S-20065-2
-16-009	-16-024	-16-026	-17-001	-17-003			
-17-005	-17-006	-17-007	-17-009	-17-012			
-17-017	-17-022	-17-023	-17-024	-17-026			
-17-517							
-19-001	-1T9-027				Wingless, Weld Align	S-14190-1	S-14190-2
TA15-525	TA16-001	TA16-004	TA16-007	TA17-001	Winged, QUIK-ALIGN	S-21165-1	S-21165-2
TA17-003	TA17-007	TA17-013	TA17-026	TA17-517			
TA17-522							
TA14-001	TA14-004	TA14-007	TA14-020	TA14-021	Winged, QUIK-ALIGN	S-21179-1	S-21179-2
TA14-520	TA14-601	TA14-701	TA15-001	TA15-003			
TA15-007	TA15-009	TA15-012	TA15-016	TA15-018			
TA15-026	TA15-517	TA15-522	TA15-523	TA15-524			
TA15-601	TA15-701						

NOTE: All part numbers listed are coated with black primer. Other options may exist. Please contact Hendrickson for assistance.



HT™ SERIES HT230T

1. WELD-ON FRAME BRACKETS (continued)				
MODELS		DESCRIPTION	PART NUMBER	
			ROADSIDE	CURBSIDE
TA15-016		Winged, QUIK-ALIGN®	S-21179-3	S-21179-4
TA19-001		Winged, QUIK-ALIGN	S-21193-1	S-21193-2
TA14-008	TA15-008 TA15-025	Winged, QUIK-ALIGN	S-21249-1	S-21249-2
TA17-008		Winged, QUIK-ALIGN	S-21250-1	S-21250-2
TB14-001	TB14-021 TB14-022 TB14-024 TB14-701	Wingless, QUIK-ALIGN	S-21590-1	S-21590-2
TB15-001	TB15-003 TB15-009 TB15-020 TB15-026			
TB15-027	TB15-028			
TB14-033	TB16-001 TB16-004 TB16-024 TB16-026	Wingless, QUIK-ALIGN	S-21592-1	S-21592-2
TB17-001	TB17-003 TB17-009 TB17-024 TB17-026			
TB15-025		Wingless, QUIK-ALIGN	S-22420-1	S-22420-2
TB19-001		Wingless, QUIK-ALIGN	S-23461-1	S-23461-2

2. BOLT-ON FRAME BRACKETS				
MODELS		DESCRIPTION	PART NUMBER	
			ROADSIDE	CURBSIDE
-14-002	-14-011 -15-002 -15-004 -15-011	Wingless, Weld Align	S-20007-1	S-20007-2
-15-032	-16-021			
-16-002	-16-010 -17-002 -17-004 -17-011	Wingless, Weld Align	S-20008-1	S-20008-2
-17-032				
-19-004		Wingless, Weld Align	S-20190-1	S-20190-2
-19-002		Wingless, Weld Align	S-20396-1	S-20396-2
TA14-002	TA15-002 TA15-004	Winged, QUIK-ALIGN	S-21204-1	S-21204-2
TA16-002	TA17-002	Winged, QUIK-ALIGN	S-21205-1	S-21205-2
-18-052		Winged, Weld Align	S-21332-1	S-21332-2
TA14-070	TA15-071 TB14-070	Winged, QUIK-ALIGN	S-25812-1	S-25812-2
TA15-036		Winged, QUIK-ALIGN	S-24912-1	S-24912-2
TB14-002	TB15-002	Wingless, QUIK-ALIGN	S-22137-1	S-22137-2
TB16-002	TB17-002 TB18-002	Wingless, QUIK-ALIGN	S-22138-1	S-22138-2
TB14-071	TB15-071	Wingless, QUIK-ALIGN	S-25494-1	S-25494-2
TC14-060	TC15-060 TC15-062	Wingless, QUIK-ALIGN	S-24177-1	S-24177-2
TC16-060	TC17-060 TC18-060 TC16-062 TC17-062	Wingless, QUIK-ALIGN	S-24178-1	S-24178-2
TC18-062				
TC19-060	TC19-062	Wingless, QUIK-ALIGN	S-24181-1	S-24181-2
TC14-061	TC15-061 TC15-063	Wingless, QUIK-ALIGN	S-24179-1	S-24179-2
TC16-061	TC17-061 TC18-061 TC16-063 TC17-063	Wingless, QUIK-ALIGN	S-24180-1	S-24180-2
TC18-063				

NOTE: All part numbers listed are coated with black primer. Other options may exist. Please contact Hendrickson for assistance.



HT™ SERIES HT250T

1. WELD-ON FRAME BRACKETS					DESCRIPTION	PART NUMBER	
MODELS						ROADSIDE	CURBSIDE
T-12-001	T-12-003	T-12-006	T-12-020	T-14-001	Wingless, Weld Align	S-20064-1	S-20064-2
T-14-003	T-14-006	T-14-021	T-15-001	T-15-006			
T-15-021	T-15-022	T-15-023	T-15-026				
T-16-001	T-16-003	T-16-006	T-16-021	T-16-022	Wingless, Weld Align	S-20065-1	S-20065-2
T-17-001	T-17-006	T-17-020	T-17-021	T-17-022			
T-17-023	T-17-501						
T-19-001					Wingless, Weld Align	S-14190-1	S-14190-2
T-16-016					Wingless, Weld Align	S-21040-1	S-21040-2
TA19-001					Winged, QUIK-ALIGN®	S-21193-1	S-21193-2
TA12-001	TA14-001	TA14-021	TA15-001	TA15-021	Winged, QUIK-ALIGN	S-21179-1	S-21179-2
TA16-001	TA16-021	TA17-001	TA17-020	TA17-021	Winged, QUIK-ALIGN	S-21165-1	S-21165-2
TA14-016					Winged, QUIK-ALIGN	S-21179-3	S-21179-4
TB12-001	TB12-003	TB12-024	TB12-029	TB14-001	Wingless, QUIK-ALIGN	S-21590-1	S-21590-2
TB14-003	TB14-015	TB14-021	TB14-022	TB14-024			
TB15-001	TB15-021	TB15-023	TB15-024	TB15-025			
TB15-026							
TB16-001	TB16-020	TB16-021	TB16-022	TB16-023	Wingless, QUIK-ALIGN	S-21592-1	S-21592-2
TB16-024	TB16-026	TB17-001	TB17-020	TB17-021			
TB17-024	TB17-026	TB17-027	TB17-028				
TB19-001					Wingless, QUIK-ALIGN	S-23461-1	S-23461-2

NOTE: All part numbers listed are coated with black primer. Other options may exist. Please contact Hendrickson for assistance.



**HT™ SERIES HT250T**

2. BOLT-ON FRAME BRACKETS					
MODELS		DESCRIPTION	PART NUMBER		
			ROADSIDE	CURBSIDE	
T-16-002	T-17-002	Wingless, Weld Align	S-20008-1	S-20008-2	
T-19-002	T-19-004	Wingless, Weld Align	S-20396-1	S-20396-2	
T-12-002	T-14-002	T-15-002	Wingless, Weld Align	S-20007-1	S-20007-2
T-15-025		Wingless, Weld Align	S-20047-1 <sup>5</sup>	S-20047-2 <sup>5</sup>	
TA12-002	TA14-002	TA15-002	Winged, QUIK-ALIGN®	S-21204-1	S-21204-2
TA16-002	TA17-002		Winged, QUIK-ALIGN	S-21205-1	S-21205-2
TA14-070		Winged, QUIK-ALIGN	S-25812-1	S-25812-2	
TB12-002		Wingless, QUIK-ALIGN	S-22137-1	S-22137-2	
TB14-071		Wingless, QUIK-ALIGN	S-25494-1	S-25494-2	
TB15-036		Wingless, QUIK-ALIGN	S-25109-1	S-25109-2	

5. Trailer manufacturer or OEM supplied bolt-on mounting plate.

**HT SERIES HT300T**

1. WELD-ON FRAME BRACKETS								
MODELS		DESCRIPTION	PART NUMBER					
			ROADSIDE	CURBSIDE				
-15-001	-15-005	-15-007	-15-017	-15-024	-15-501	Wingless, Weld Align	S-20196-1	S-20196-2
-15-518	-15-701							
-17-001	-17-005	-17-007	-17-024	-17-501		Wingless, Weld Align	S-20197-1	S-20197-2
-17-518	-17-701							
-15-016		Wingless, Weld Align	S-20286-1	S-20286-2				
-17-003	-17-012	-17-019	-17-503	-17-520		Wingless, Weld Align	S-20065-1	S-20065-2
-17-025		Wingless, Weld Align	S-21123-1	S-21123-2				
-19-001		Wingless, Weld Align	S-14190-1	S-14190-2				
-21-003		Wingless, Weld Align	S-21454-1	S-21454-2				
-23-001		Wingless, Weld Align	S-21150-1	S-21150-2				
-15-021	-15-025				Wingless, Weld Align	S-21122-1	S-21122-2	
TB15-001	TB15-023	TB15-024	TB15-027	TB15-518		Wingless, QUIK-ALIGN	S-23790-1	S-23790-2
TB17-001	TB17-024				Wingless, QUIK-ALIGN	S-24635-1	S-24635-2	
TB19-007	TB19-020				Wingless, QUIK-ALIGN	S-23461-1	S-23461-2	
TB15-016		Wingless, QUIK-ALIGN	S-23797-1	S-23797-2				
TB16-026	TB17-003				Wingless, QUIK-ALIGN	S-21592-1	S-21592-2	

NOTE: All part numbers listed are coated with black primer. Other options may exist. Please contact Hendrickson for assistance.



<b>2. BOLT-ON FRAME BRACKETS</b>				
<b>MODELS</b>		<b>DESCRIPTION</b>	<b>PART NUMBER</b>	
			<b>ROADSIDE</b>	<b>CURBSIDE</b>
<b>-23-002</b>		Wingless, Weld Align	S-22073-1	S-22073-2
<b>-17-022</b>		Wingless, Weld Align	S-22281-1	S-22281-2
<b>-17-004</b>		Wingless, Weld Align	S-20008-1	S-20008-2
<b>TA15-070</b>		Winged, QUIK-ALIGN®	S-25461-1	S-25461-2
<b>TA15-036</b>		Winged, QUIK-ALIGN	S-25618-1	S-25618-2
<b>TA17-070</b>		Winged, QUIK-ALIGN	S-25462-1	S-25462-2
<b>TC15-060</b>		Wingless, QUIK-ALIGN	S-24220-1	S-24220-2
<b>TC15-061</b>		Wingless, QUIK-ALIGN	S-24226-1	S-24226-2
<b>TB17-022</b>		Wingless, QUIK-ALIGN	S-23512-1	S-23512-2
<b>TC17-060</b>		Wingless, QUIK-ALIGN	S-24222-1	S-24222-2
<b>TC17-061</b>		Wingless, QUIK-ALIGN	S-24228-1	S-24228-2
<b>TC19-060 TC19-062</b>		Wingless, QUIK-ALIGN	S-24181-1	S-24181-2
<b>TC19-061 TC19-063</b>		Wingless, QUIK-ALIGN	S-24251-1	S-24251-2
<b>TC15-060 TC15-064</b>		Wingless, Weld Align	S-24220-1	S-24220-2
<b>TC17-060 TC17-064 TC17-062 TC17-066</b>		Wingless, Weld Align	S-24222-1	S-24222-2
<b>TC19-060 TC19-064 TC19-062 TC19-066</b>		Wingless, Weld Align	S-24181-1	S-24181-2
<b>TC15-061 TC15-065</b>		Wingless, Weld Align	S-24226-1	S-24226-2
<b>TC17-061 TC17-065 TC17-063 TC17-067</b>		Wingless, Weld Align	S-24228-1	S-24228-2
<b>TC19-061 TC19-065 TC19-063 TC19-067</b>		Wingless, Weld Align	S-24251-1	S-24251-2

**HT™ SERIES HT190U**

<b>1. WELD-ON FRAME BRACKETS</b>							
<b>MODELS</b>			<b>DESCRIPTION</b>	<b>PART NUMBER</b>			
				<b>ROADSIDE</b>	<b>CURBSIDE</b>		
<b>U-9-001</b>	<b>U-9-007</b>	<b>U-9-020</b>	<b>U-9-022</b>	<b>U-9-024</b>	Wingless, Weld Align	S-20211	S-20065-2
<b>U-6-020</b>	<b>U-7-001</b>	<b>U-7-020</b>	<b>U-7-024</b>		Wingless, Weld Align	S-20216	S-20064-2
<b>U-7.5-001</b>	<b>U-7.5-020</b>	<b>U-7.5-501</b>	<b>U-7.5-517</b>				
<b>U-6.75-001</b>	<b>U-6.75-002</b>	<b>U-6.75-003</b>	<b>U-6.75-020</b>	<b>U-7-021</b>	Wingless, Weld Align	S-20222	S-20222
<b>U-12-001</b>					Wingless, Weld align	S-15188-1	S-14190-2
<b>U-12-031</b>					Wingless, Weld align	S-14959-1	S-14959-2
<b>UB6-020</b>	<b>UB6-030</b>	<b>UB7-001</b>	<b>UB7-020</b>		Wingless, QUIK-ALIGN	S-22580	S-21590-2
<b>UB7-021</b>	<b>UB7.5-001</b>	<b>UB7.5-020</b>					
<b>UB9-001</b>	<b>UB9-020</b>				Wingless, QUIK-ALIGN	S-22601	S-21592-2
<b>UB12-001</b>					Wingless, QUIK-ALIGN	S-23265-1	S-23461-2

NOTE: All part numbers listed are coated with black primer. Other options may exist. Please contact Hendrickson for assistance.



HT™ SERIES HT250U

1. WELD-ON FRAME BRACKETS					DESCRIPTION	PART NUMBER	
MODELS						ROADSIDE	CURBSIDE
U-6.5-001	U-6.5-008	U-6.5-011	U-6.5-020	U-6.5-021	Wingless, Weld Align	S-20321-1	S-20321-2
U-6.5-027	U-6.5-517	U-7.5-005	U-7.5-005				
U-7.5-001	U-7.5-002	U-7.5-003	U-7.5-008	U-7.5-017	Wingless, Weld Align	S-20322-1	S-20322-2
U-7.5-027	U-7.5-517	U-9-001	U-9-002	U-9-003			
U-9-004	U-9-006	U-9-008	U-9-010	U-9-022			
U-9-024	U-9-025	U-9-027	U-9-028	U-9-029			
U-9-517							
U-12-002	U-14-001	U-14-006	U-14-008	U-14-024	Wingless, Weld Align	S-20324-1	S-20324-2
U-14-026	U-14-028	U-14-517					
U-12-001	U-12-006	U-12-008	U-12-026	U-12-517	Wingless, Weld Align	S-20323-1	S-20323-2
U-6.5-002	U-6.5-003	U-6.5-022			Wingless, Weld Align	S-20717-1	S-20717-2
U-9-020	U-9-021	U-9-023	U-15-022		Wingless, Weld Align	S-23860-3	S-23860-4
U-6.5-024					Wingless, Weld Align	S-22663-1	S-22663-2
U-7.5-021					Wingless, Weld Align	S-20357-1	S-20357-2
U-6.5-030	U-6.5-031				Wingless, Weld Align	S-15019-1	S-15019-2
UB14-001	UB14-006	UB14-023	UB14-027	UB14-028	Wingless, QUIK-ALIGN®	S-22634-1	S-22634-2
UB12-001	UB12-006	UB12-027	UB12-028		Wingless, QUIK-ALIGN	S-21688-1	S-21688-2
UB9-022	UB15-022				Wingless, QUIK-ALIGN	S-23859-1	S-23859-2
UB7.5-001	UB7.5-517	UB7.5-522	UB9-001	UB9-002	Wingless, QUIK-ALIGN	S-21926-1	S-21926-2
UB9-003	UB9-004	UB9-0010	UB9-013	UB9-522			
UB6.5-001	UB6.5-022	UB6.5-517	UB7.5-005		Wingless, QUIK-ALIGN	S-21927-1	S-21927-2
UB6.5-002					Wingless, QUIK-ALIGN	S-22581-1	S-22581-2
UB15-022					Wingless, QUIK-ALIGN	S-23859-1	S-23859-2

2. BOLT-ON FRAME BRACKETS					DESCRIPTION	PART NUMBER	
MODELS						ROADSIDE	CURBSIDE
U-12-007					Wingless, Weld Align	S-20337-1	S-20337-2
U-14-007					Wingless, Weld Align	S-21230-1	S-21230-2
U-6.5-007					Wingless, Weld Align	S-20326-1	S-20326-2
U-7.5-007	U-9-007				Wingless, Weld Align	S-20327-1	S-20327-2

NOTE: All part numbers listed are coated with black primer. Other options may exist. Please contact Hendrickson for assistance.



**HT™ SERIES HT250US**

<b>1. WELD-ON FRAME BRACKETS</b>				
<b>RIDE HEIGHT (INCHES)</b>	<b>PIVOT HEIGHT (INCHES)</b>	<b>DESCRIPTION</b>	<b>PART NUMBER</b>	
			<b>ROADSIDE</b>	<b>CURBSIDE</b>
3.5 4.0	4.5	Standard travel and shock mount	S-23848-1	S-23848-2
5.5 6.5	8.0	Standard travel and shock mount	S-22826-1	S-22826-2
		Standard travel and remote shock mount	S-22826-3	S-22826-4
6.5	10.0	Limited jounce and std. shock mount	S-22827-1	S-22827-2
	8.0	Extended rebound travel and std. shock mount	S-23166-1	S-23166-2
		Extended rebound travel and remote shock mount	S-22826-3	S-22826-4
		12 degree angled, standard travel and shock mount	S-22680-1	S-22680-2
7.5	8.0	6 degree rotated, standard travel and shock mount	S-22826-1	S-22826-2
		12 degree angled, standard travel and remote shock mount	S-29985-1	S-29985-2
7.5 9.0	10.0	Standard travel, limited jounce and std. shock mount	S-22827-1	S-22827-2
		Standard travel, limited jounce and remote shock mount	S-22827-3	S-22827-4
12.0	12.0	Standard travel and shock mount	S-22828-1	S-22828-2
		Standard travel and remote shock mount	S-22828-3	S-22828-4
	14.0	Limited jounce and std. shock mount	S-22829-1	S-22829-2
14.0	14.0	Standard travel and shock mount	S-22829-1	S-22829-2
		Frame clearance, standard travel and shock mount	S-23271-1	S-23271-2
	12.0	Standard travel and remote shock mount	S-22829-3	S-22829-4

<b>2. BOLT-ON FRAME BRACKETS</b>					
<b>RIDE HEIGHT (INCHES)</b>	<b>PIVOT HEIGHT (INCHES)</b>	<b>PATTERN TYPE</b>	<b>DESCRIPTION</b>	<b>PART NUMBER</b>	
				<b>ROADSIDE</b>	<b>CURBSIDE</b>
5.5 6.5	8.375	Standard - 1/2"	Standard travel and shock mount	S-23009-1	S-23009-2
		Standard - 5/8"		S-33061-1L	S-33061-1R
		Standard - 5/8"	Extended rebound and remote shock mount	S-33061-11L	S-33061-11R
6.5 7.5 9.0	10.375	Standard - 1/2"	Limited jounce	S-23010-1	S-23010-2
		Standard - 5/8"		S-33061-2L	S-33061-2R
7.5 9.0	10.375	Standard - 1/2"	Standard travel	S-23010-1	S-23010-2
		Standard - 5/8"		S-33061-2L	S-33061-2R
12.0	12.5	Standard - 1/2"	Standard travel	S-23011-1	S-23011-2
		Standard - 5/8"		S-33061-3L	S-33061-3R
	14.5	Standard - 1/2"	Limited jounce	S-23012-1	S-23012-2
		Standard - 5/8"		S-33061-4L	S-33061-4R
14.0	14.5	Standard - 1/2"	Standard travel	S-23012-1	S-23012-2
		Standard - 5/8"		S-33061-4L	S-33061-4R

NOTE: All part numbers listed are coated with black primer. Other options may exist. Please contact Hendrickson for assistance.



HT™ SERIES HT300U

1. WELD-ON FRAME BRACKETS					DESCRIPTION	PART NUMBER	
MODELS						ROADSIDE	CURBSIDE
U-7.5-001	U-7.5-501	U-7.5-519	U-9-001	U-9-005	Wingless, Weld Align	S-20268-1	S-20268-2
U-9-011	U-9-020	U-9-024	U-9-501	U-9-519			
U-9-701							
U-12-001	U-12-005	U-12-011	U-12-015	U-12-024	Wingless, Weld Align	S-20269-1	S-20269-2
U-14-001	U-14-005	U-14-011	U-14-015	U-14-022	Wingless, Weld Align	S-20270-1	S-20270-2
U-14-023	U-14-701						
U-17-001	U-17-011	U-17-024			Wingless, Weld Align	S-20271-1	S-20271-2
U-14-020					Wingless, Weld Align	S-22777-1	S-22777-2
U-9-021					Wingless, Weld Align	S-22779-1	S-22779-2
U-15-011					Wingless, Weld Align	S-22511-1	S-22511-2
U-17-020					Wingless, Weld Align	S-20914-1	S-20914-2
U-17-021					Wingless, Weld Align	D-21367-1	D-21367-2
U-14-021					Wingless, Weld Align	S-21380-1	S-21380-2
U-12-020					Wingless, Weld Align	S-22778-1	S-22778-2
U-9-022					Wingless, Weld Align	S-23408-1	S-23408-2
UB9-022					Wingless, QUIK-ALIGN®	S-24183-1	S-24183-2
UB14-022					Wingless, QUIK-ALIGN	S-29354-1	S-29354-2

HT SERIES HT300US

1. WELD-ON FRAME BRACKETS					DESCRIPTION	PART NUMBER	
RIDE HEIGHT (INCHES)	PIVOT HEIGHT (INCHES)					ROADSIDE	CURBSIDE
5.5	8.0	Standard travel and shock mount			S-22826-1	S-22826-2	
		Standard travel and remote shock mount			S-22826-3	S-22826-4	
6.5	8.0	Standard travel and std. shock mount			S-22826-1	S-22826-2	
		Limited jounce, std. shock mount			S-22826-3	S-22826-4	
	10.0	Extended rebound travel and std. shock mount			S-23166-1	S-23166-2	
7.5 9.0	10.0	Standard travel, limited jounce and std. shock mount			S-22827-1	S-22827-2	
		Standard travel, limited jounce and remote shock mount			S-22827-3	S-22827-4	
12.0	12.0	Standard travel, limited jounce and std. shock mount			S-22828-1	S-22828-2	
		Standard travel, limited jounce and remote shock mount			S-22828-3	S-22828-4	
14.0	14.0	Standard travel, limited jounce and std. shock mount			S-22829-1	S-22829-2	
		Standard travel, limited jounce and remote shock mount			S-22829-3	S-22829-4	
17.0	17.0	Standard travel, limited jounce and std. shock mount			S-28470-1	S-28470-2	
		Standard travel, limited jounce and remote shock mount			S-28470-3	S-28470-4	

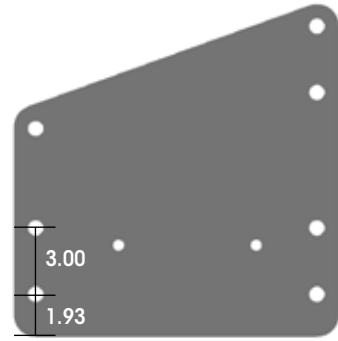
NOTE: All part numbers listed are coated with black primer. Other options may exist. Please contact Hendrickson for assistance.



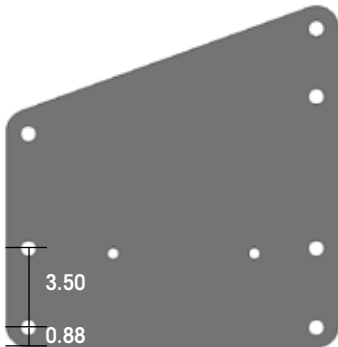
<b>2. BOLT-ON FRAME BRACKETS</b>					
<b>RIDE HEIGHT (INCHES)</b>	<b>PIVOT HEIGHT (INCHES)</b>	<b>PATTERN TYPE</b>	<b>DESCRIPTION</b>	<b>PART NUMBER</b>	
				<b>ROADSIDE</b>	<b>CURBSIDE</b>
5.5 6.5	8.375	Standard - 5/8"	Standard travel and shock mount	S-33061-1L	S-33061-1R
6.5	8.375		Limited jounce and std. shock mount	S-33061-1L	S-33061-1R
7.5 9.0	10.375		Standard travel, limited jounce and std. shock mount	S-33061-2L	S-33061-2R
12.0	12.5		Standard travel and std. shock mount	S-33061-3L	S-33061-3R

NOTE: All part numbers listed are coated with black primer. Other options may exist. Please contact Hendrickson for assistance.

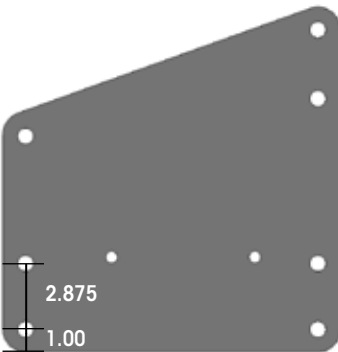
FRAME BRACKET TOP PLATE PATTERN



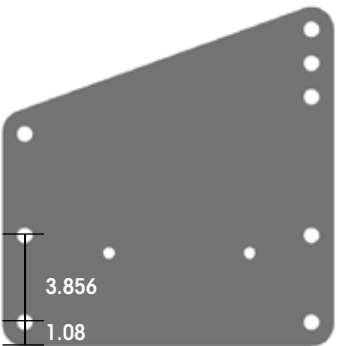
Standard



Pattern 1



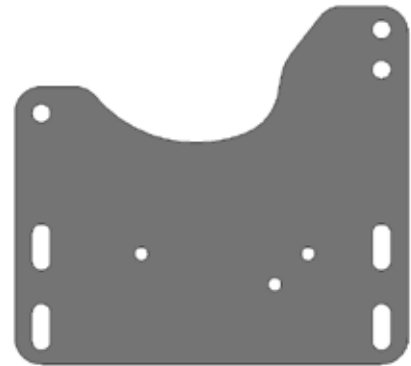
Pattern 2



Pattern 3



Replace with



Universal bolt-on

Note: Universal bolt-on frame brackets replace standard, pattern 1, pattern 2 and pattern 3 bolt-on frame brackets as of May 2016.

See D-26651 INTRAAX Bolt-on Mounting Drawing for universal bolt-on and other frame bracket pattern specifications.







**NOTES:**

A series of horizontal lines for handwritten notes, starting below the 'NOTES:' header and extending across most of the page width.

*Actual product performance may vary depending upon vehicle configuration, operation, service and other factors.  
All applications must comply with applicable Hendrickson specifications and must be approved by the respective vehicle manufacturer with the vehicle in its original, as-built configuration.  
Contact Hendrickson for additional details regarding specifications, applications, capacities, and operation, service and maintenance instructions.*

**Call Hendrickson at 330.489.0045 or 866.RIDEAIR (743.3247) for additional information.**



[www.hendrickson-intl.com](http://www.hendrickson-intl.com)

**TRAILER COMMERCIAL VEHICLE SYSTEMS**

2070 Industrial Place SE  
Canton, OH 44707-2641 USA  
866.RIDEAIR (743.3247)  
330.489.0045 • Fax 800.696.4416

**Hendrickson Canada**

250 Chrysler Drive, Unit #3  
Brampton, ON Canada L6S 6B6  
800.668.5360  
905.789.1030 • Fax 905.789.1033

**Hendrickson Mexicana**

Circuito El Marqués Sur #29  
Parque Industrial El Marqués  
Pob. El Colorado, Municipio El Marqués,  
Querétaro, México C.P. 76246  
+52 (442) 296.3600 • Fax +52 (442) 296.3601

L1266 Rev H 06-20

© 2014 - 2020 Hendrickson USA, L.L.C. All Rights Reserved. All trademarks shown are owned by Hendrickson USA, L.L.C., or one of its affiliates, in one or more countries.  
Information contained in this literature was accurate at the time of publication. Product changes may have been made after the copyright date that are not reflected.

Printed in United States of America