



Driven By You



**Integrated Front Air Suspension
and Steer Axle System**

**AIRTEK® delivers driver and passenger comfort, outstanding stability
and extended vehicle life all in one package.**

A Freightliner Custom Chassis bus chassis equipped with Hendrickson's AIRTEK integrated front air suspension and steer axle system combines simple, functional design and state-of-the-art technology for superior ride, stability and handling. The same smooth, comfortable ride that cradles passengers and drivers reduces vibration-induced wear-and-tear to help extend overall vehicle and component life.



For additional information, call **630.910.2800** or
visit our web site at **www.hendrickson-intl.com**



The World Rides On Us®

AIRTEK® — The industry's first integrated front air suspension and steer axle system improves performance and efficiency, delivering superior handling and driver confidence. Together, Freightliner Custom Chassis Corporation and Hendrickson have optimized the AIRTEK system for bus applications.



Proven Durability



- Tested and proven in heavy-duty applications
- **STEERTEK NXT Axle** — The box-shaped cross section resists horizontal, vertical and twisting forces more effectively than traditional I-beam axles. Continuous beam architecture minimizes stress points for added durability.

Unique, robotically welded axle design reduces weight while maintaining superior durability.

Extended Vehicle Life

- **Spring and rear shackle bushings** — heavy-duty design for durability and maintenance-free operation
- **Two-piece knuckle assembly** — allows for easy disassembly of knuckle without removing kingpin



Two-piece knuckle

Driver and Passenger Comfort

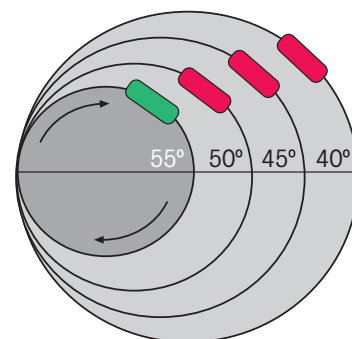
- **High volume air springs** — support the vertical load and help produce a softer, more comfortable ride

Outstanding Stability and Handling

- **Leaf spring assembly** — forms a torsion system with the box section axle to increase roll stability
- **Optimized steering system performance** — delivers an industry leading wheel cut of up to 55 degrees resulting in a tighter turning radius and superior maneuverability



Optimized steering system —
55-degree wheel cut



● Freightliner Custom Chassis

● Competitive Chassis

* Not to scale

www.hendrickson-intl.com



Truck Commercial Vehicle Systems 630.910.2800
800 South Frontage Road Fax 630.910.2899
Woodridge, IL 60517-4904 USA 1-855-755-5968



Driven By You

Freightliner Custom Chassis Corporation 864.487.1700
552 Hyatt St. Fax 864.487.6400
Gaffney, SC 29341