

# **H** PARTS LIST

INTRAAX® AAL 23K / 25K / 30K

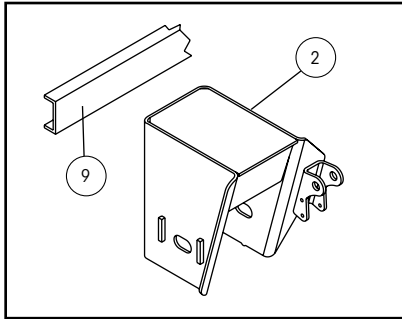
LIT NO: L1060

DATE: November 2020

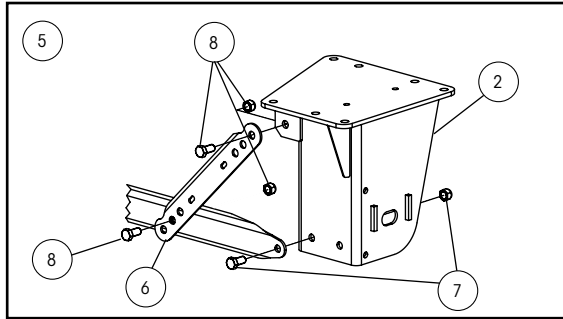
REVISION: D

---

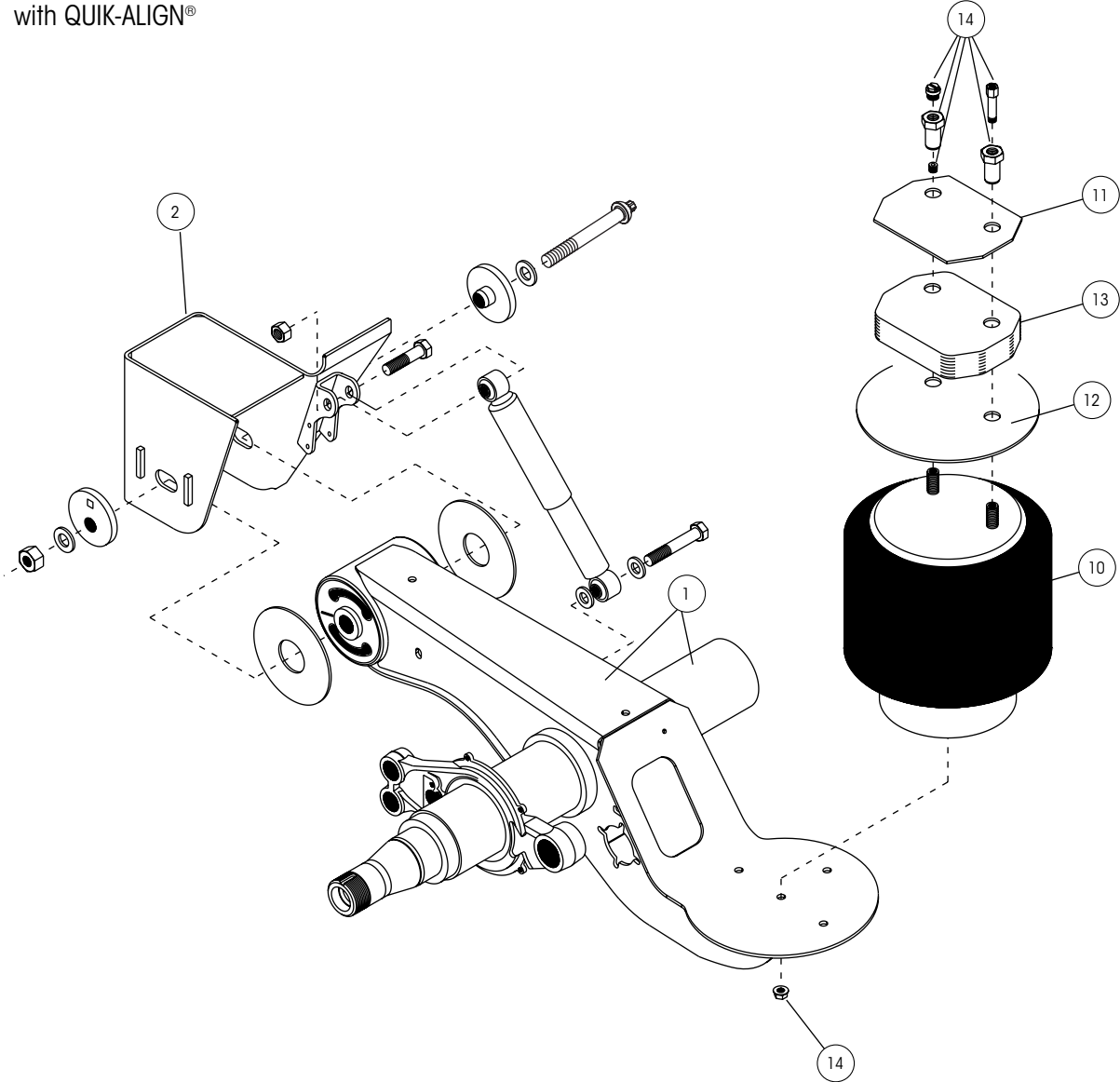




Wingless, weld-on frame bracket with QUIK-ALIGN®



Wingless, bolt-on frame bracket with QUIK-ALIGN®





# INTRAAX® AAL 23K / 25K / 30K PARTS LIST

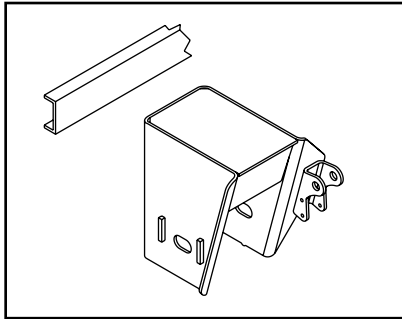
ITEM	DESCRIPTION	PART NO.	QTY.	NOTE	
1	AXLE / BEAM WELDMENT	HTRAAX.###	1	Contact Hendrickson for assistance	
2	FRAME BRACKET <sup>1</sup>			See L1266 Frame Bracket Parts List	
3	FRAME BRACKET GUSSET (Not Shown)	S-27330	2	9" - 17" ride height	
4	FRAME BRACKET BRACE (Not Shown)	B-2347-7	1	Used for 19" ride height	
5	BOLT-ON C-CHANNEL KIT <sup>2</sup>				
	71.5" Track	S-31901-3C	1	Standard/black primer; includes c-channel, 2 struts and strut bolt kit	
	77.5" Track	S-31901-1C	1	Standard/black primer; includes c-channel, 2 struts and strut bolt kit	
6	STRUT <sup>2</sup>	B-30591	2	2	
7	C-CHANNEL BOLT KIT	S-29822	1	Includes 2 screws and 2 prevailing torque nuts	
8	STRUT BOLT KIT	S-30720	1	Includes 6 screws and 6 prevailing torque nuts	
9	WELD-ON C-CHANNEL				
	71.5" - 77.5" Tracks	A-1631-19	1		
	83.5" - 85" Tracks	A-1631-35	1		
10	AIR SPRING (Standard Pressure)				
		<b>23K</b>	<b>25K</b>	<b>30K</b>	
	6.5" - 7.5" Ride heights	S-23720	S-23721	—	2
	8" - 9" Ride heights	S-23613	S-23611	S-25871	2
	12" - 19" Ride heights	S-23614	S-23612	S-25872	2
11	AIR SPRING MOUNTING PLATE <sup>3</sup>				
	14" - 16" Ride heights		S-20905	2	Weld-on hangers
	14" - 16" Ride heights		S-21145	2	Bolt-on hangers
12	AIR SPRING FLEX PLATE <sup>3</sup>				
	9" - 19" Ride heights		S-23294	2	Weld-on and bolt-on hangers
	12" Ride heights		B-24813	2	Bolt-on hangers
13	AIR SPRING SPACER <sup>3</sup>				
	<b>Five Inch Axle and LDA Large Diameter Axle</b>				
	14" Ride height		S-22510-4	2	Weld-on and bolt-on hangers
	15" Ride height		S-22510-2	2	Weld-on and bolt-on hangers
	16" Ride height		S-22510-3	2	Weld-on and bolt-on hangers
	17" Ride height		D-27049-5	2	Weld-on hangers
	19" Ride height		D-27049-4	2	Weld-on hangers
14	AIR SPRINGS MOUNTING KIT <sup>3</sup>				
		<b>23K / 25K</b>	<b>30K</b>		
	6.5" - 12.0" Ride height	S-22619/2	—	2	
	9" - 12.0" Ride height	—	S-25452/2	2	
	14.0" Ride height	S-22630/2	S-25453/2	2	
	15.0" Ride height	S-22631/2	S-25454/2	2	
	16.0" Ride height	S-22632/2	S-25455/2	2	
	17.0" Ride height	S-22619/2	S-25452/2	2	
	19.0" Ride heights	S-22619/2	S-25452/2	2	

1. Options exist based on frame attachment, frame bracket style, bolt hole pattern and connection. Contact Hendrickson for assistance or refer to L1266 Frame Bracket Parts List.

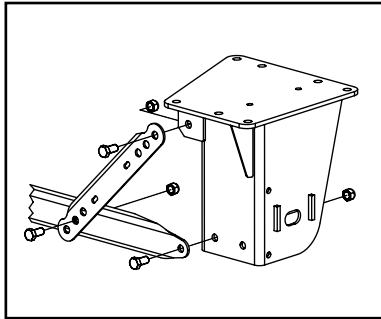
2. Struts are only optional for bolt-on frame brackets. Other options exist for galvanized or different track widths.

3. Standard options listed. Other options exist. Contact Hendrickson for assistance.

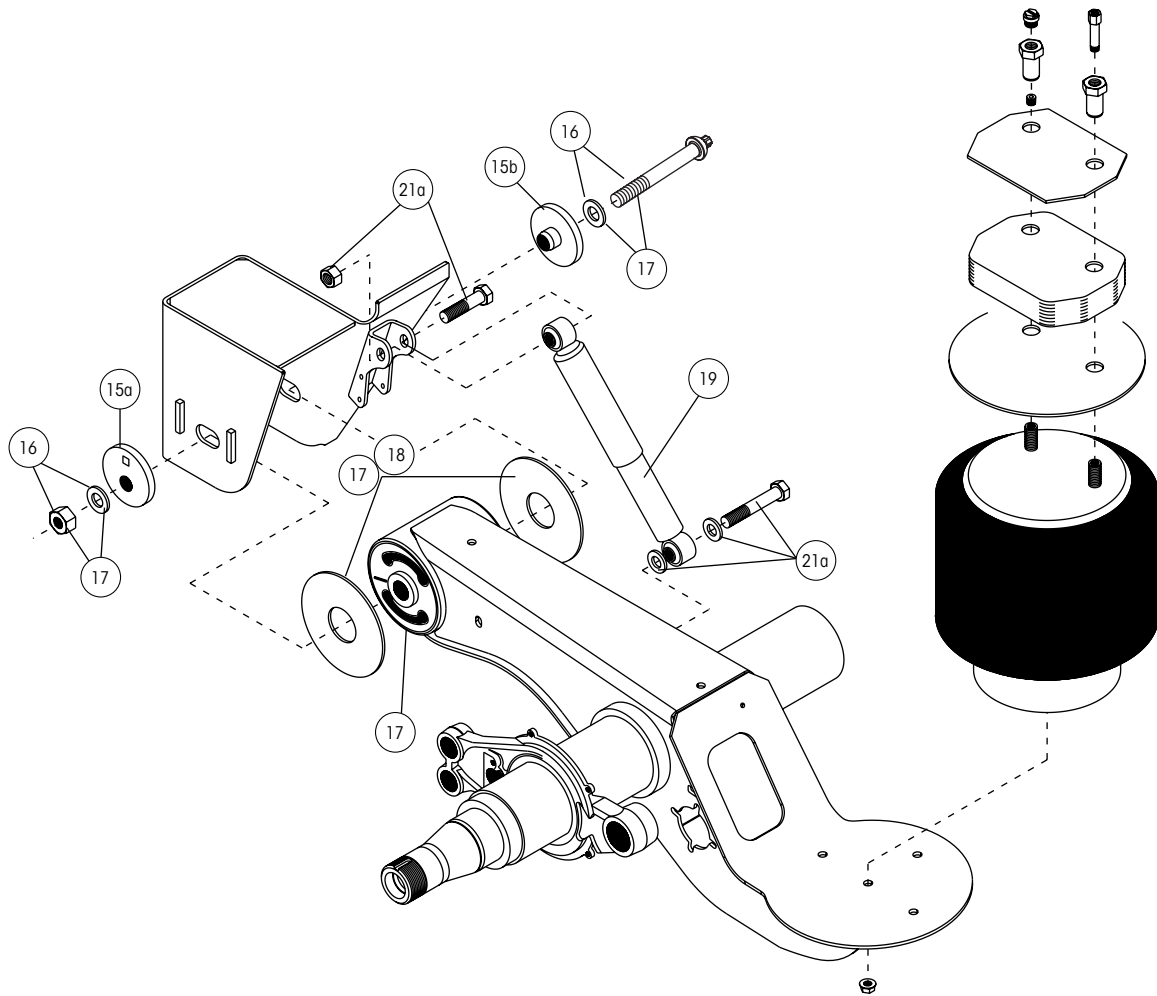
Note: Identification tag can be found on the inside of the curbside beam.



Wingless, weld-on frame bracket with QUIK-ALIGN®



Wingless, bolt-on frame bracket with QUIK-ALIGN®





# INTRAAX® AAL 23K / 25K / 30K PARTS LIST

ITEM	DESCRIPTION	PART NO.	QTY.	NOTE
<b>15</b>	<b>ALIGNMENT COLLARS</b>			
	<b>15a</b> Eccentric	S-20925	2	Pivot bolt hole is offset from center of collar
	<b>15b</b> Concentric	S-20924	2	Pivot bolt hole is in center of collar
<b>16</b>	<b>QUIK-ALIGN® PIVOT BOLT KIT<sup>4</sup></b>			
	<b>16a</b> Pivot bolt kit	S-24679	2	Includes 10" shear-type bolt, nut, and washers
	<b>16b</b> Pivot bolt kit w/bushing tube spacers			
	Standard	S-26369	2	Includes 10" shear-type bolt, nut, washers, and std. bushing tube spacers (Item 18)
	Off-Highway	S-40394-1	2	Includes 10" shear-type bolt, nut, washers, and off-highway bushing tube spacers (Item 18)
	<b>16c</b> Pivot bolt kit w/alignment collars	S-24680	2	Includes 10" shear-type bolt, nut, washers, and alignment collars
<b>17</b>	<b>TRI-FUNCTIONAL® BUSHING KIT<sup>4,5</sup></b>			
	Standard	S-24691	2	Includes bushing, pivot bolt kit (Item 16a), std. bushing tube spacers (Item 18) and lube
	Off-Highway	S-40393-1	2	Includes bushing, pivot bolt kit (Item 16a), off-highway bushing tube spacers (Item 18) and lube
	Standard pivot bushing kit w/alignment collars	S-28654	1	Includes 2 bushings, 2 pivot bolt kits (Item 16a), std. bushing tube spacers (Item 18) and lube
<b>18</b>	<b>BUSHING TUBE SPACERS</b>			4 required per axle
	Standard	S-21099	4	
	Off-Highway	S-40230-1	4	
<b>19</b>	<b>FRONT SHOCK ABSORBER</b>			
	6.5" - 9" Ride heights	S-23651	2	Standard travel, standard duty cycle
	6.5" - 9" Ride heights	S-24579	2	Standard travel, extended service
	12" Ride height	S-23566	2	Standard travel, standard duty cycle
	12" Ride height	S-24023	2	Standard travel, extended service
	14" - 19" Ride heights	S-2212	2	Standard travel, standard duty cycle
	14" - 19" Ride heights	S-23316	2	Standard travel, extended service
<b>20</b>	<b>REAR SHOCK ABSORBER (Not Shown)</b>			
	6.5" - 7.5" Ride heights	S-20345	2	
	9" - 12" Ride heights	S-25436	2	
	14" - 17" Ride heights	S-25437	2	
<b>21</b>	<b>SHOCK BOLT KIT</b>			
		<b>5-inch</b>	<b>LDA™</b>	
	<b>21a</b> Front shock absorber	S-24757/2	S-31080/2	2 (1) One kit per shock
	<b>21b</b> Rear shock absorber (Not Shown)	S-2157/2	S-2157/2	2 (1) One kit per shock

4. Best installed with Hendrickson's E-20 socket S-24536 (1-inch drive sleeveless), S-25119 (1-inch drive sleeve) or S-24303 (3/4-inch drive sleeveless).

5. Bushing tool S-21307 is required to correctly rebush the suspension.





*Actual product performance may vary depending upon vehicle configuration, operation, service and other factors.  
All applications must comply with applicable Hendrickson specifications and must be approved by the respective vehicle manufacturer with the vehicle in its original, as-built configuration.  
Contact Hendrickson for additional details regarding specifications, applications, capacities, and operation, service and maintenance instructions.*

**Call Hendrickson at 330.489.0045 or 866.RIDEAIR (743.3247) for additional information.**



[www.hendrickson-intl.com](http://www.hendrickson-intl.com)

**TRAILER COMMERCIAL VEHICLE SYSTEMS**

2070 Industrial Place SE  
Canton, OH 44707-2641 USA  
866.RIDEAIR (743.3247)  
330.489.0045 • Fax 800.696.4416

**Hendrickson Canada**

250 Chrysler Drive, Unit #3  
Brampton, ON Canada L6S 6B6  
800.668.5360  
905.789.1030 • Fax 905.789.1033

**Hendrickson Mexicana**

Circuito El Marqués Sur #29  
Parque Industrial El Marqués  
Pob. El Colorado, Municipio El Marqués,  
Querétaro, México C.P. 76246  
+52 (442) 296.3600 • Fax +52 (442) 296.3601

L1060 Rev D 11-20

© 2008 – 2020 Hendrickson USA, L.L.C. All Rights Reserved. All trademarks shown are owned by Hendrickson USA, L.L.C., or one of its affiliates, in one or more countries.  
Information contained in this literature was accurate at the time of publication. Product changes may have been made after the copyright date that are not reflected.

Printed in United States of America