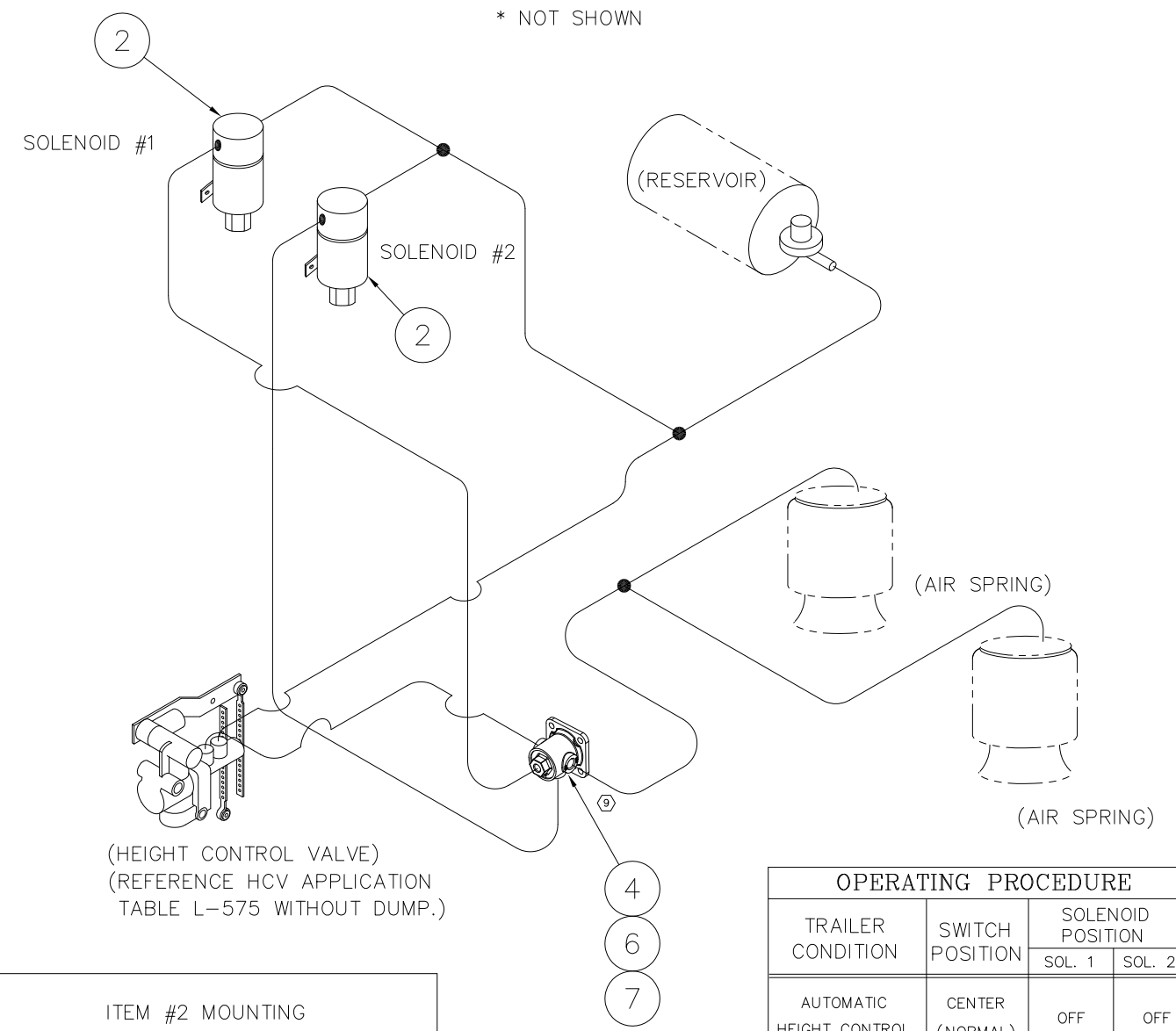
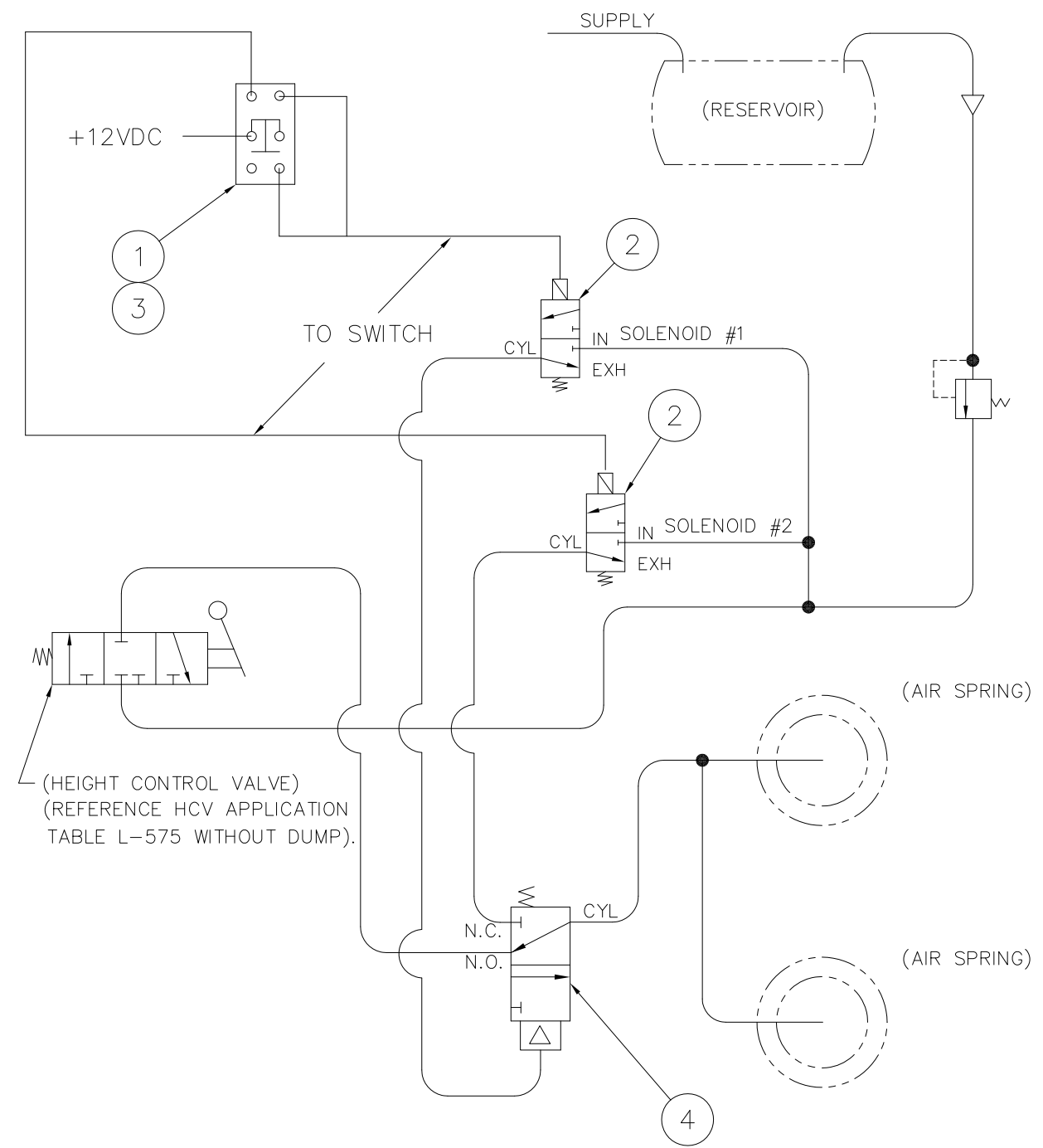


ITEM	PART NO.	DESCRIPTION	QTY.
1	A-8823	SWITCH	1
2	A-24796	3-WAY SOLENOID VALVE	2
3	L-745	ELECTRIC RAISE/LOWER KIT DECAL	1
④ 4	B-38689	AIR PILOTED VALVE, 3-WAY	1
5*	DWG C-11572	AK-118 AIR KIT DRAWING	1
6*	A-27360	BARBED TUBE FITTING	1
7*	A-27361	3/8" ID TUBE	1

* NOT SHOWN



OPERATING PROCEDURE			
TRAILER CONDITION	SWITCH POSITION	SOLENOID POSITION	
		SOL. 1	SOL. 2
AUTOMATIC HEIGHT CONTROL	CENTER (NORMAL)	OFF	OFF
RAISED	UP	ON	ON
LOWERED	DOWN	ON	OFF

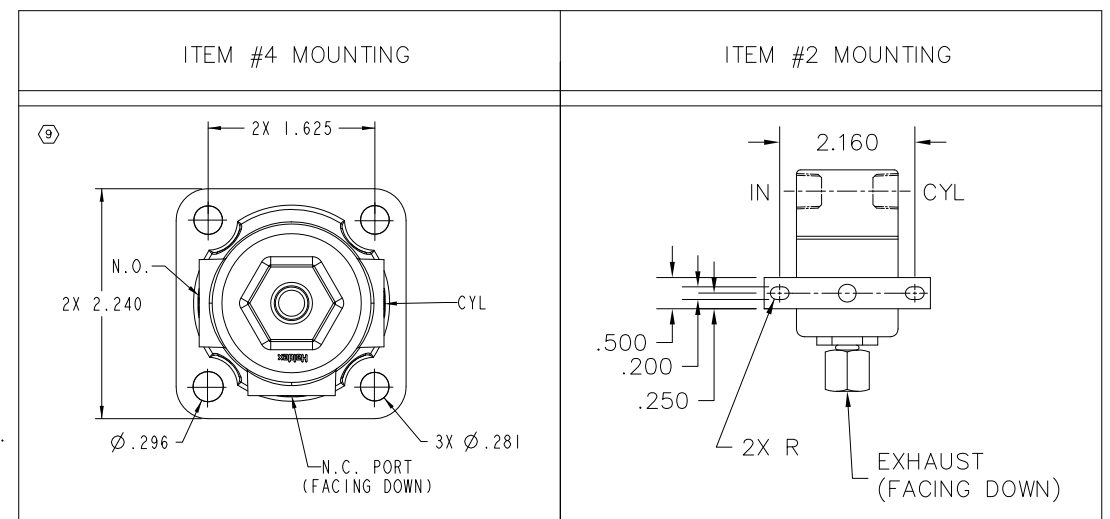
This Print remains the property of Hendrickson. All information contained thereon is confidential. It is loaned, subject to return on demand and on express condition that it is not to be copied or used directly or indirectly for any purpose other than the purpose for which it has been loaned to you.

NOTES:

- DO NOT ADD LUBRICATION TO AIR SYSTEM.
- ALL CONNECTIONS MUST BE LEAK PROOF.
- AVOID BENDS IN AIR LINES.
- AIR LINE FITTINGS AND LINES TO BE FURNISHED BY INSTALLER. 3/8" O.D. POLYIMIDE TUBING.
- APPLICATION - ALL SUSPENSION MODELS.
- ⑥. WEIGHT: 1.42 LBS.

FUNCTION:

④NON-ADJUSTABLE ELECTRIC RAISE/LOWER OPTION USED WITH HEIGHT CONTROL VALVE KITS WITHOUT DUMP VALVE.



PART NUMBER	REV
AK-118	9

P
PRODUCTION

HENDRICKSON
TRAILER COMMERCIAL VEHICLE SYSTEMS
2070 INDUSTRIAL PLACE S.E., CANTON, OH 44707-2600 U.S.A.

UNLESS OTHERWISE NOTED:			
TOLERANCES ARE:	DIMENSIONS ARE:	REV.	ECN NO.
.X: ± .1	INCHES	9 31537	NJK 6-13-18
.XX: ± .06		8 12654	CDR 8-22-03
.XXX: ± .030		7 10198	PJB 10-3-00
ANGULAR: ± 0.5°		6 8091	LDW 5-13-99

DATE	SCALE	PAGE
12-17-90	1.00=1.00	1 OF 1

AIR CONTROL KIT AK-118

C-11572