

PARTS LIST

PRIMAAX[®] EX • PRIMAAX[®] Rear Air Suspension for Kenworth Vehicles

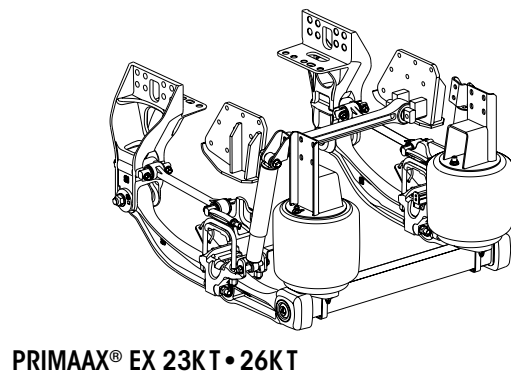
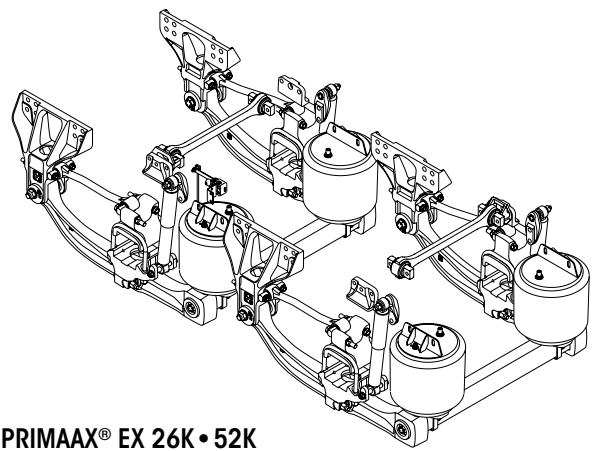
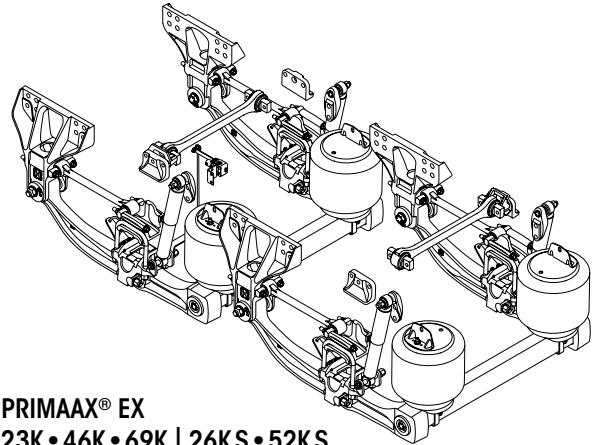
LIT NO: SP-225

DATE: June 2019

REVISION: F

CONTENTS

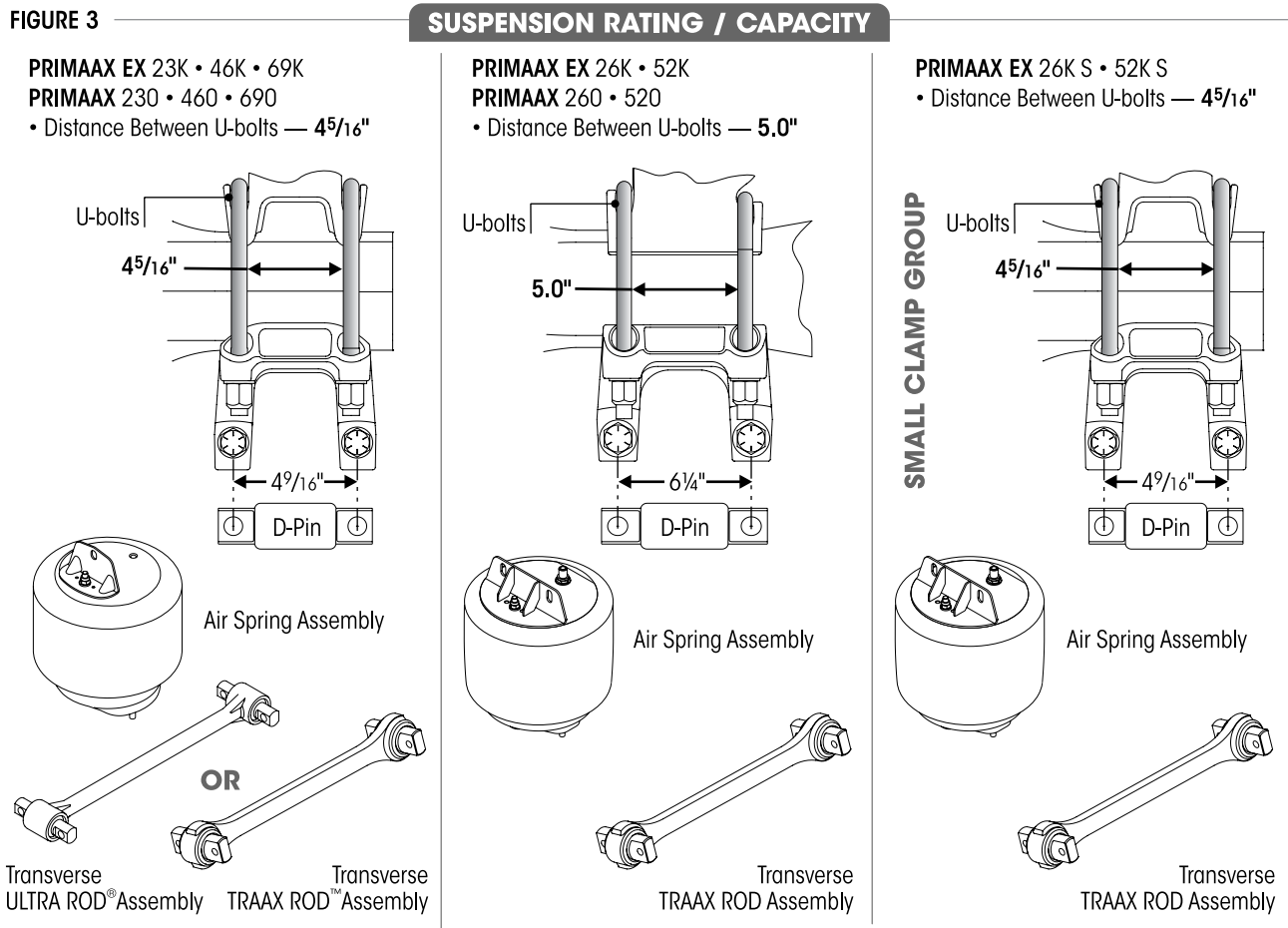
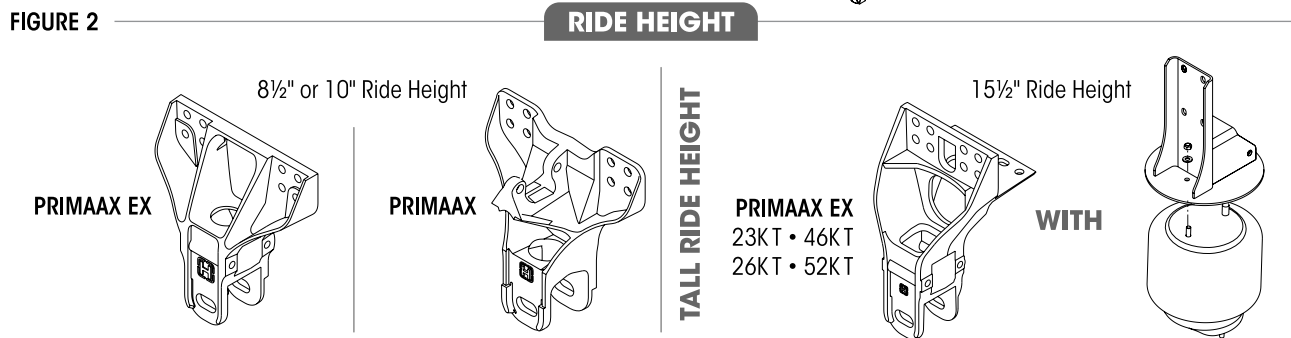
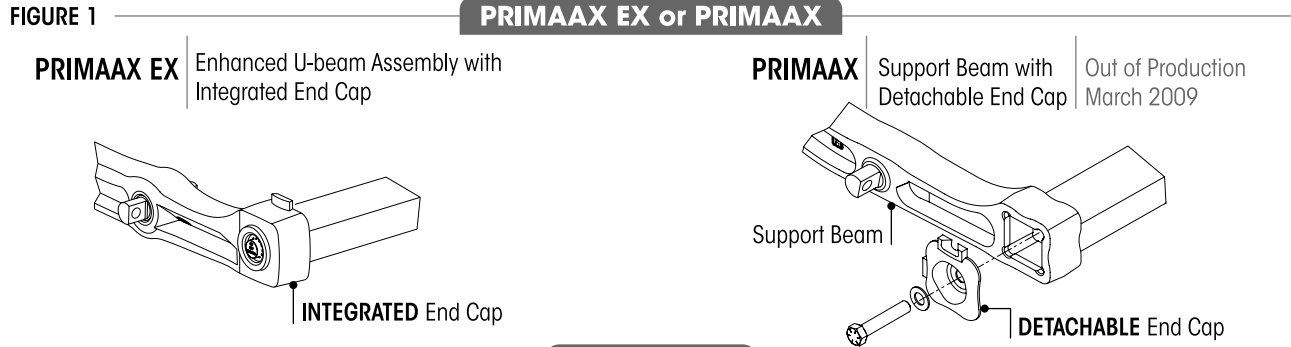
DESCRIPTION	PAGE
Technical Notes	2
Selection Guides	
■ Bottom Cap, Longitudinal Torque Rod . . . 3 & 4 Assembly, Torque Rod Spacer and Top Pad	
■ Severe Service Kits	5
■ U-beam Assembly Enhancement Aftermarket Service Kit	5
Notes	5
PARTS LISTS	
PRIMAAX EX	
■ 23K • 46K • 69K 26KS • 52KS	6
■ 26K • 52K	8
■ 23KT • 26KT	10
PRIMAAX	
■ 230 • 460 • 690	12
■ 260 • 520	14
Special Tools	16





■ Technical Notes

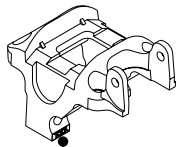
The following information is intended to assist in determining which suspension is equipped on the vehicle. As an example, in Figures 1 and 2, the end cap/frame hanger help identify whether the suspension is current model PRIMAAX EX or the previous production model PRIMAAX.





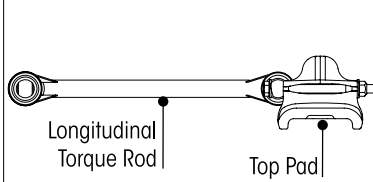
■ Bottom Cap • Longitudinal Torque Rod Assembly • Top Pad • Torque Rod Spacer Selection Guide

Bottom Cap

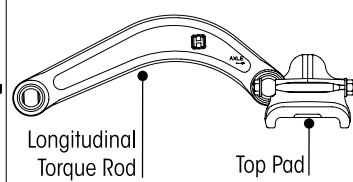


Location of stamped Part No. (last three digits) or see pinion angle chart below

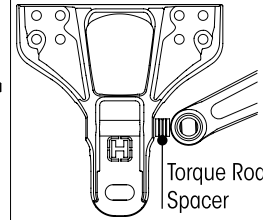
DRUM BRAKE Configuration



DISC BRAKE Configuration



Torque Rod Spacer



PRIMAAX EX 23K • 46K • 69K | 26KS • 52KS

Page 7

PRIMAAX 230 • 460 • 690

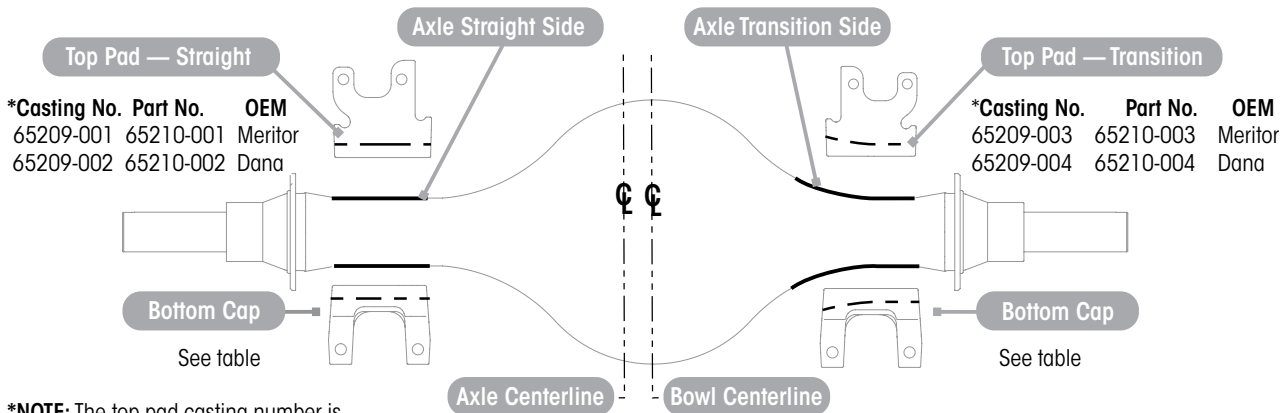
Page 13

Pinion Angle	Drum Brakes		Air Disc Brakes				Drum Brakes		
	Bottom Cap	*Longitudinal Torque Rod Assembly	Bottom Cap	*Longitudinal Torque Rod Assembly	Top Pad	**Torque Rod Spacer	D-Pin Bolt Length	Bottom Cap	Longitudinal Torque Rod Assembly
Forward Rear									
1.5°	60556-035	67428-425	60556-035	67219-435	65289-003 (LH)	9 mm	4 3/4"	—	—
2.0°	60556-040		60556-040					65289-004 (RH)	60556-025
2.5°	60556-025	67428-435	60556-025	67219-435	65289-004 (RH)	9 mm	4 3/4"	60556-025	60827-605A (LH) 60827-605B (RH)
3.0°	60556-030		60556-030					60556-030	
3.5°	60556-035		60556-035					60556-035	
4.0°	60556-040		60556-040					60556-040	
4.5°	60556-045		60556-045					60556-045	
5.0°	60556-050	60556-050	60556-050	60556-050	60556-050				
5.5°	60556-055	60556-055	60556-055	60556-055	60556-055				
Rear Rear									
6.0°	60556-060	67428-435	60556-025	67219-435	65289-000	15 mm	4 3/4"	60556-060	60827-605A 60827-605B
6.5°	60556-065		60556-035					60556-065	
7.0°	60556-040	67428-450	60556-040	67219-435	65289-000	25 mm	5"	60556-110	64717-620A (LH) 64717-620B (RH)
7.5°	60556-045		60556-045					60556-115	
8.0°	60556-050		60556-050					60556-120	
8.5°	60556-110	67428-460	60556-110	67219-435	65289-000	25 mm	4 3/4"	60556-125	64717-620B (RH)
9.0°	60556-115		60556-115					60556-130	
9.5°	60556-120	67428-475	60556-120	67219-475	65289-000	25 mm	5"	60556-135	60827-645A (LH) 60827-645B (RH)
10.0°	60556-100		60556-100					60556-100	
10.5°	60556-105		60556-105					60556-105	
11.0°	60556-110		60556-110					60556-110	
11.5°	60556-115		60556-115					60556-115	
12.0°	60556-120	67428-475	60556-120	67219-475	65289-000	25 mm	5"	60556-125	60827-645B (RH)
12.5°	60556-125		60556-125					60556-125	
13.0°	60556-130		60556-130					60556-130	
13.5°	60556-135	60556-135	60556-135	60556-135	60556-135				
14.0°	60556-140	60556-140	60556-140	60556-140	60556-140				
14.5°	60556-145	60556-145	60556-145	60556-145	60556-145				

NOTES: * Torque rod bushings are non-serviceable, replace the complete torque rod assembly that includes bushings.
 ** Not supplied by Hendrickson, used for reference only. Hendrickson is not responsible for components supplied by the vehicle manufacturer. For assistance with maintenance and rebuild instructions on these components see vehicle manufacturer.



■ Bottom Cap and Top Pad Selection Guide



***NOTE:** The top pad casting number is located on bottom surface of the top pad.

Page 9	PRIMAAX EX 26K • 52K						
Page 15	PRIMAAX 260 • 520						
Bottom Cap Part Number							
Beam Centers	Axle Manufacturer	Tandem				Single	
		Straight Side		Transition Side		Straight Side	Transition Side
		Front	Rear	Front	Rear		
40.0"	Meritor	65208-101	65208-103	65208-106	65208-109	65208-101	65208-105
	Dana	65208-102	65208-104	65208-108	65208-111	Contact Hendrickson for Part Nos.	

■ Longitudinal Torque Rod • Top Pad Selection Guide

Page 9	PRIMAAX EX 26K • 52K			
Pinion Angle	Axle Manufacturer	*Longitudinal Torque Rod Assembly	Top Pad	
			Left	Right
Front Rear				
1.5°		65302-460	65210-001	65210-003
2.0°			65210-002	65210-004
2.5° - 3.0°	Dana Meritor	65302-470	65210-002 65210-001	65210-004 65210-003
3.5°			65210-002	65210-004
4.0°	Dana Meritor	65302-475	65210-002 65210-001	65210-004 65210-003
Rear Rear				
9.0° - 9.5°		65302-510	65210-004	65210-002
10.0°		65302-520	65210-004	65210-002
10.5°	Dana Meritor	65302-515 65302-520	65210-004 65210-003	65210-002 65210-001
11.0°		65302-520	65210-003	65210-001
11.5°	Dana Meritor	65302-525 65302-520 65302-525	65210-004 65210-003 65210-003	65210-002 65210-001 65210-001
12.0°		65302-525	65210-003	65210-001
13.0°		65302-530	65210-003	65210-001

Page 15	PRIMAAX 260 • 520	
Pinion Angle	Longitudinal Torque Rod Assembly	
	Left	Right
2.0° - 3.5°	66359-650A	66359-650B
4.0° - 5.5°	66359-660A	66359-660B
10.0° - 10.5°	66359-585A	66359-585B
11.0° - 11.5°	66359-590A	66359-590B
12.0° - 12.5°	66359-595A	66359-595B

NOTE: * Torque rod bushings are non-serviceable, replace the complete torque rod assembly.



■ PRIMAAX EX • PRIMAAX Series Severe Service Kits

<p>Severe Service Kit No. 60632-033</p>	<p>QUIK-ALIGN Pivot Bushing Axle Set</p>	<p>KIT NO. 60632-033</p>																								
<p>Reference Lit. No. 59310-037</p>		<p>PRIMAAX EX • PRIMAAX 8½"-10" Ride Height</p>																								
		<table border="1"> <thead> <tr> <th>KEY NO.</th> <th>CONTENTS</th> <th>KIT QTY.</th> </tr> </thead> <tbody> <tr> <td>1</td> <td>QUIK-ALIGN Concentric Collar</td> <td>2</td> </tr> <tr> <td>2</td> <td>QUIK-ALIGN Eccentric Collar</td> <td>2</td> </tr> <tr> <td>3</td> <td>1¼"-12 UNF x 8" Bolt</td> <td>2</td> </tr> <tr> <td>4</td> <td>1¼" Hardened Washer</td> <td>4</td> </tr> <tr> <td>5</td> <td>1¼"-12 UNF Nylocknut</td> <td>2</td> </tr> <tr> <td>6</td> <td>QUIK-ALIGN Pivot Bushing</td> <td>2</td> </tr> <tr> <td>7</td> <td>P-80 Bushing Lubricant - 10 ml. (per Bushing 1)</td> <td>2</td> </tr> </tbody> </table>	KEY NO.	CONTENTS	KIT QTY.	1	QUIK-ALIGN Concentric Collar	2	2	QUIK-ALIGN Eccentric Collar	2	3	1¼"-12 UNF x 8" Bolt	2	4	1¼" Hardened Washer	4	5	1¼"-12 UNF Nylocknut	2	6	QUIK-ALIGN Pivot Bushing	2	7	P-80 Bushing Lubricant - 10 ml. (per Bushing 1)	2
KEY NO.	CONTENTS	KIT QTY.																								
1	QUIK-ALIGN Concentric Collar	2																								
2	QUIK-ALIGN Eccentric Collar	2																								
3	1¼"-12 UNF x 8" Bolt	2																								
4	1¼" Hardened Washer	4																								
5	1¼"-12 UNF Nylocknut	2																								
6	QUIK-ALIGN Pivot Bushing	2																								
7	P-80 Bushing Lubricant - 10 ml. (per Bushing 1)	2																								
<p>Severe Service Kit No. 60632-015</p>	<p>QUIK-ALIGN Collar Axle Set</p>	<p>KIT NO. 60632-015</p>																								
<p>Reference Lit. No. 59310-037</p>		<p>PRIMAAX EX • PRIMAAX 8½"-10" Ride Height</p>																								
		<table border="1"> <thead> <tr> <th>KEY NO.</th> <th>CONTENTS</th> <th>KIT QTY.</th> </tr> </thead> <tbody> <tr> <td>1</td> <td>QUIK-ALIGN Concentric Collar</td> <td>2</td> </tr> <tr> <td>2</td> <td>QUIK-ALIGN Eccentric Collar</td> <td>2</td> </tr> <tr> <td>3</td> <td>1¼"-12 UNF x 8" Bolt</td> <td>2</td> </tr> <tr> <td>4</td> <td>1¼" Hardened Washer</td> <td>4</td> </tr> <tr> <td>5</td> <td>1¼"-12 UNF Nylocknut</td> <td>2</td> </tr> </tbody> </table>	KEY NO.	CONTENTS	KIT QTY.	1	QUIK-ALIGN Concentric Collar	2	2	QUIK-ALIGN Eccentric Collar	2	3	1¼"-12 UNF x 8" Bolt	2	4	1¼" Hardened Washer	4	5	1¼"-12 UNF Nylocknut	2						
KEY NO.	CONTENTS	KIT QTY.																								
1	QUIK-ALIGN Concentric Collar	2																								
2	QUIK-ALIGN Eccentric Collar	2																								
3	1¼"-12 UNF x 8" Bolt	2																								
4	1¼" Hardened Washer	4																								
5	1¼"-12 UNF Nylocknut	2																								
<p>Severe Service Kit No. 58821-026</p>	<p>Top Pad Fasteners Axle Set</p>	<p>KIT NO. 58821-026</p>																								
<p>Reference Lit. No. 59310-036</p>		<p>PRIMAAX 230 • 460 • 690 8½"-10"-12½"-1438"-15½" Ride Height Does not include Top Pad</p>																								
		<table border="1"> <thead> <tr> <th>KEY NO.</th> <th>CONTENTS</th> <th>KIT QTY.</th> </tr> </thead> <tbody> <tr> <td>1</td> <td>M24 x 3-6G H-Coat Hex Bolt</td> <td>2</td> </tr> <tr> <td>2</td> <td>M24 Hardened Washer</td> <td>4</td> </tr> <tr> <td>3</td> <td>M24 x 3-6H Locknuts</td> <td>2</td> </tr> </tbody> </table>	KEY NO.	CONTENTS	KIT QTY.	1	M24 x 3-6G H-Coat Hex Bolt	2	2	M24 Hardened Washer	4	3	M24 x 3-6H Locknuts	2												
KEY NO.	CONTENTS	KIT QTY.																								
1	M24 x 3-6G H-Coat Hex Bolt	2																								
2	M24 Hardened Washer	4																								
3	M24 x 3-6H Locknuts	2																								

■ U-beam Assembly Enhancement Aftermarket Service Kit

PRIMAAX EX Series U-beam Assembly Enhancement Aftermarket Service Kit No. 69565-001, Axle Set

PART NUMBER	DESCRIPTION	KIT QTY.	COMMENTS
69351-000	Sikaflex 221 Polyurethane Sealant, 300 ml Tube	1	In the event any service to the suspension requiring disassembly of a U-beam assembly equipped with integrated end caps, the Loctite 277, tamper resistant caps and Sikaflex 221 polyurethane sealant must be properly installed to ensure components function to their highest efficiency.
69570-000	Loctite® 277 - 10 ml Bottle	1	
	*Tamper Resistant Cap	2	
	*7/8"-9 UNC x 3¾" Hex Bolt	2	
	*7/8" Hardened Washer	2	

NOTE: * Item included in kit/assembly only, part not sold separately.

NOTES: * Quantities specified are shown for tandem suspension. Adjust quantities for single or tridem suspensions. Quantities of service kit components may vary from amount shown in lists.

** Item included in kit/assembly only, part not sold separately.

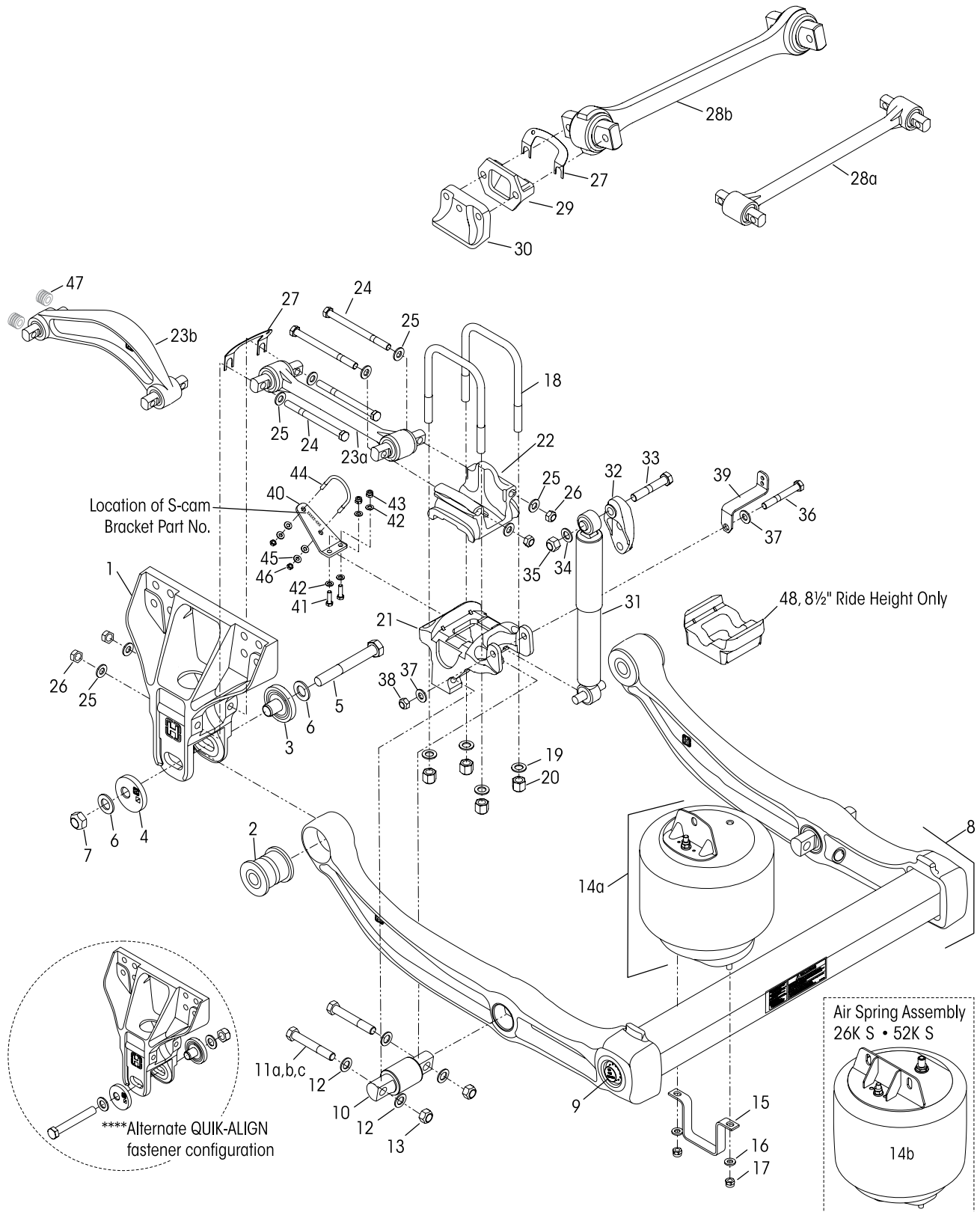
*** Transverse torque rods are equipped with non-serviceable bushings. Transverse torque rods are mandatory for the PRIMAAX EX • PRIMAAX suspensions regardless of axle spacing, see Literature Nos. 59310-004/59310-058 for more information.

**** Alternate configuration of the QUIK-ALIGN fasteners shown in exploded view. The locknuts located inboard will allow additional clearance for wider tires or tires with chains. Tightening is still required ONLY at the locknut.



PRIMAAX EX 23K • 46K • 69K | 26K S • 52K S
10" Ride Height

S – designates Small Clamp Group





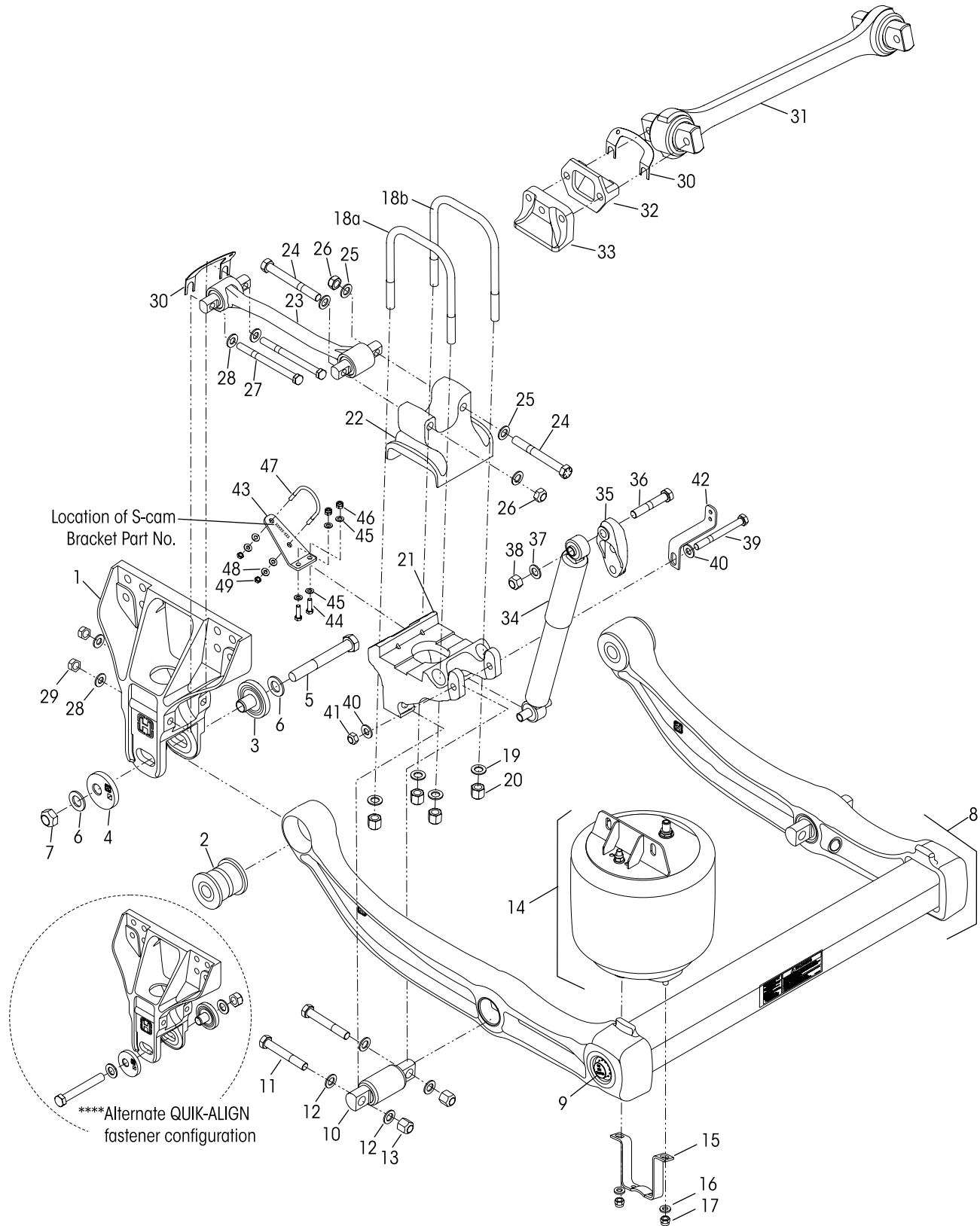
PRIMAAX® EX 23K • 46K • 69K | 26KS • 52KS for Kenworth Vehicles

KEY NO.	PART NO.	DESCRIPTION	VEHICLE *QTY.	KEY NO.	PART NO.	DESCRIPTION	VEHICLE *QTY.
1	67706-000	EX Frame Hanger	4	22		Top Pad	4
		QUIK-ALIGN Pivot Bushing Service Kits, Includes Key Nos. 2-7, 49			65289-000	Drum Brakes	
	60961-720	One Wheel End			65289-XXX	Disc Brakes, <i>see Selection Guide on Page 3</i>	
	60632-020	Axle Set		23		Longitudinal Torque Rod Assembly, <i>see Selection Guide on Page 3</i>	4
		QUIK-ALIGN Collar Service Kit, Includes Key Nos. 3-7		a	67428-XXX	Drum Brakes	
	60632-019	One Wheel End		b	67219-XXX	Disc Brakes	
	60632-021	Axle Set			49176-032	Longitudinal Torque Rod Fastener Service Kit, One Torque Rod, Includes Key Nos. 24-26	
	60632-018	QUIK-ALIGN Fastener Service Kit One Wheel End, Includes Key Nos. 5-7		24		** $\frac{3}{8}$ "-11 UNC-2B x 8" Bolt	16
2		**QUIK-ALIGN Pivot Bushing	4	25		** $\frac{5}{8}$ " Flat Washer	32
3		**QUIK-ALIGN Concentric Collar	4	26		** $\frac{5}{8}$ "-11 UNC-2A Locknut	16
4		**QUIK-ALIGN Eccentric Collar	4	27	49689-000	Shim (As Required)	
5		**1"-14 UNF-2A x 7 $\frac{1}{2}$ " Hex Bolt	4	28		***Transverse Torque Rod Assembly	2
6		**1" H-Coat Flat Washer	8	a	62000-565N	ULTRA ROD®, <i>Replaces 67428-565</i>	
7		**1"-14 UNF-2B Locknut	4	b	8240-0000-560	TRAAX ROD™, <i>Replaces 72000-560C</i>	
8		U-beam Assembly, Includes Key Nos. 2, 10		29	22186-000	Transverse Torque Rod Frame Bracket	2
	67249-003	Rear	1	30	60593-000	Frame Mounted Axle Stop	4
	67249-004	Front, Middle for Tridem	1	31		Shock Absorber	4
9		U-beam Assembly Enhancement Aftermarket Service Kit, <i>see page 5 for contents</i>			60657-017L	23K•46K•69K Standard, except Tridem, <i>Replaces 60657-003L</i>	
	69565-001	Axle Set			60657-005L	23K•46K•69K Tridem Only	
	69565-002	One Wheel End			70807-001L	23K•46K•69K Heavy-duty, Optional, except Tridem	
		Single D-Pin Bushing Service Kit, Includes Key Nos. 10, 11a, 12-13			60665-011L	26KS • 52KS	
	34013-107	Includes Key Nos. 10, 11b, 12-13		32	67463-002	Upper Shock Frame Bracket	4
	34013-116	Includes Key Nos. 10, 11c, 12-13				Single Shock Fastener Service Kit 23K • 46K • 69K, Includes Key Nos. 33-35, 36a-38 26KS • 52KS, Includes Key Nos. 33-35, 36b-38	
	34013-117	Includes Key Nos. 10, 11c, 12-13			50754-030	23K • 46K • 69K, Includes Key Nos. 33-35, 36a-38	
10		**D-Pin Bushing	4		50754-029	26KS • 52KS, Includes Key Nos. 33-35, 36b-38	
		D-Pin Fastener Service Kit, Axle Set Includes Key Nos. 11a, 12-13		33		** $\frac{3}{4}$ "-10 UNC x 4 $\frac{1}{4}$ " Upper Shock Bolt	4
	56659-009	Includes Key Nos. 11b, 12-13		34		** $\frac{3}{4}$ " Flat Washer	4
	56659-013	Includes Key Nos. 11c, 12-13		35		** $\frac{3}{4}$ "-10 UNC Locknut	4
	56659-012	Includes Key Nos. 11c, 12-13		36		** $\frac{3}{8}$ "-11 UNC Lower Shock Bolt	4
11		** $\frac{3}{4}$ "-16 UNF Bolt	8	a		6.0"	
a		Length 5"		b		7.0"	
b		Length 5 $\frac{1}{2}$ "		37		** $\frac{3}{8}$ " Flat Washer	8
c		Length 4 $\frac{3}{4}$ "		38		** $\frac{5}{8}$ "-11 UNC-2B Locknut	4
12		** $\frac{3}{4}$ " Flat Washer	16	39	60921-000	Height Control Valve Linkage Bracket	1
13		** $\frac{3}{4}$ "-16 UNF Locknut	8	40	64508-XXX	S-cam Support Bracket, <i>see part number on component</i>	4
		Single Air Spring Service Kit, 23K • 46K • 69K, Includes Key Nos. 14a, 15-17 26KS • 52KS, Includes Key Nos. 14b, 15-17			58821-017	S-cam Fastener Service Kit, Axle Set, Includes Key Nos. 41-46	
	60961-230	Includes Key Nos. 14a, 15-17		41		** $\frac{3}{8}$ "-16 UNC x 1 $\frac{1}{4}$ " Hex Bolt	8
	60961-744	Includes Key Nos. 14b, 15-17		42		** $\frac{3}{8}$ " Hardened Washer	16
14		Air Spring Assembly, Includes Upper Frame Bracket		43		** $\frac{3}{8}$ "-16 UNC Locknut	8
a	67043-002L	23K • 46K • 69K		44		** $\frac{5}{16}$ " S-cam U-bolt	4
b	67247-002	26KS • 52KS		45		** $\frac{5}{16}$ " Hardened Washer	16
15	60911-002	Lower Air Spring Mounting Bracket	4	46		** $\frac{5}{16}$ "-18 UNC Locknut	8
	49177-006	Lower Air Spring Fastener Service Kit, Single, Includes Key Nos. 16-17		47		Torque Rod Spacer, <i>see Selection Guide on Page 3</i>	4
16		** $\frac{1}{2}$ " Flat Washer	8	48	65139-003	Axle Spacer - 8 $\frac{1}{2}$ " Ride Height, <i>PRIMAAX EX 26KS only</i>	4
17		** $\frac{1}{2}$ "-13 UNC Locknut	8	49	70867-001	P-80 Bushing Lubricant - 10 ml. per Bushing 1 (not shown)	1
	48718-129	U-bolt Service Kit, One Wheel End, Includes Key Nos. 18-20					
18		** $\frac{3}{4}$ " Square U-bolt - Length 8 $\frac{7}{8}$ "	8				
19		** $\frac{3}{4}$ " Flat Washer	16				
20		** $\frac{3}{4}$ "-16 UNF U-bolt Locknut	16				
21	60556-XXX	Bottom Cap, <i>see Selection Guide on Page 3</i>	4				



PRIMAAX EX 26K • 52K

10" Ride Height





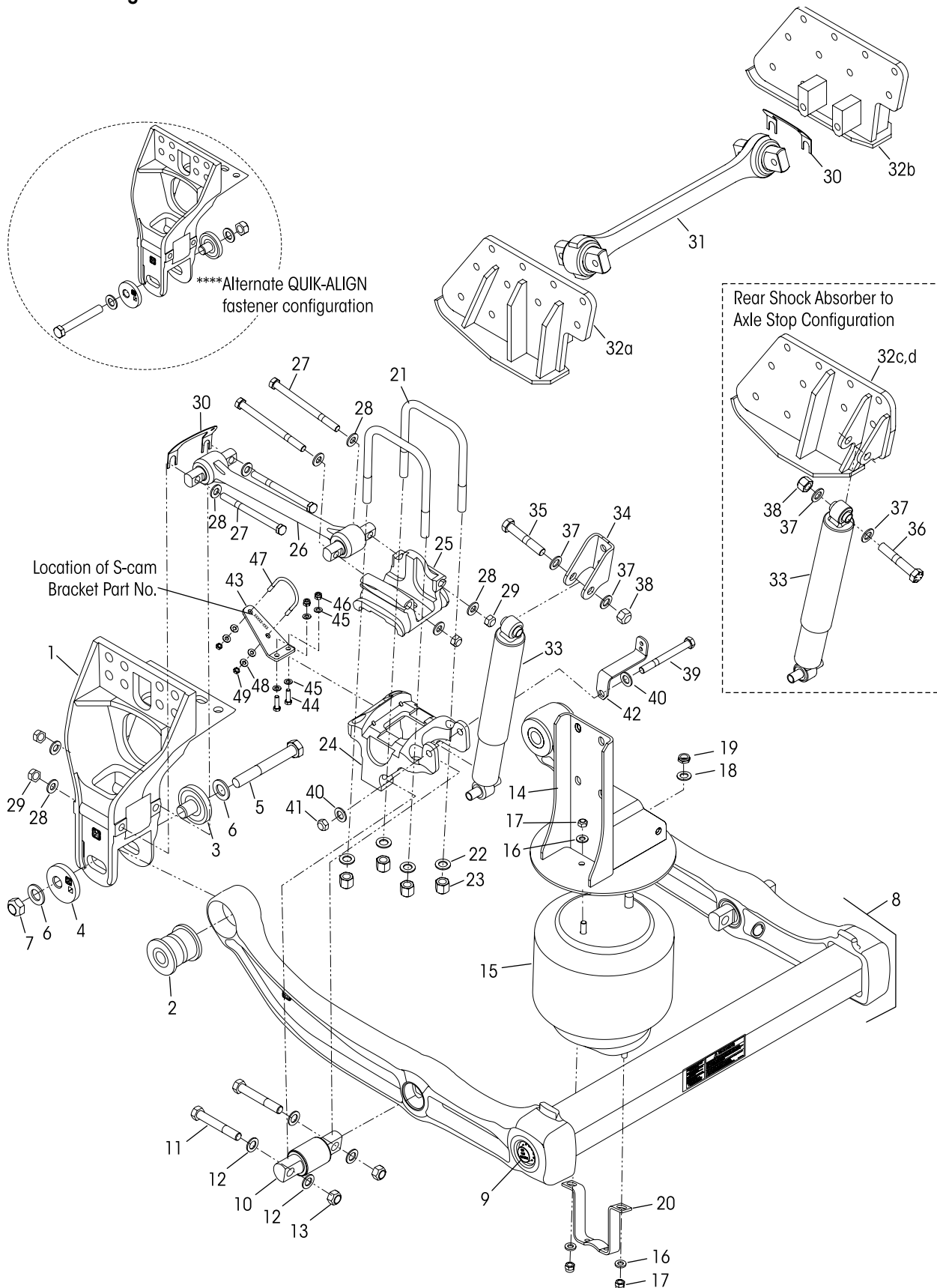
KEY NO.	PART NO.	DESCRIPTION	VEHICLE *QTY.	KEY NO.	PART NO.	DESCRIPTION	VEHICLE *QTY.
1	67706-000	EX Frame Hanger	4	19		**3/4" Flat Washer	16
		QUIK-ALIGN Pivot Bushing Service Kits, Includes Key Nos. 2-7, 50		20		**3/4"-1.6 UNF U-bolt Locknut	16
	60961-720	One Wheel End		21	65208-XXX	Bottom Cap, <i>see Selection Guide on Page 4</i>	4
	60632-020	Axle Set		22	65210-XXX	Top Pad, <i>see illustration and Selection Guide on Page 4</i>	4
		QUIK-ALIGN Collar Service Kit, Includes Key Nos. 3-7		23	65302-XXX	Longitudinal Torque Rod Assembly, <i>see Selection Guide on Page 4</i>	4
	60632-019	One Wheel End		24	21867-007	3/4"-1.6 UNF x 6" Hex Bolt	8
	60632-021	Axle Set		25	22962-001	3/4" Flat Washer	16
	60632-018	QUIK-ALIGN Fastener Service Kit One Wheel End, Includes Key Nos. 5-7		26	30191-000	3/4"-1.6 UNF Locknut	8
2		**QUIK-ALIGN Pivot Bushing	4	27	32043-016	5/8"-1.1 UNF x 8" Hex Bolt	8
3		**QUIK-ALIGN Concentric Collar	4	28	22962-004	5/8" Flat Washer	16
4		**QUIK-ALIGN Eccentric Collar	4	29	47764-000	5/8"-1.1 UNC Locknut	8
5		**1"-1.4 UNF-2A x 7 1/2" Hex Bolt	4	30	49689-000	Shim (As Required)	
6		**1" H-Coat Flat Washer	8	31	8240-0000-560	***Transverse TRAAX ROD Assembly <i>Replaces 72000-560C</i>	2
7		**1"-1.4 UNF-2B Locknut	4	32	22186-000	Transverse Torque Rod Frame Bracket	2
8		U-beam Assembly, Includes Key Nos. 2, 10		33	60593-000	Frame Mounted Axle Stop	4
	67249-006	Front	1	34	60665-013L	Shock Absorber	4
	67249-005	Rear	1	35	67463-002	Upper Shock Frame Bracket	4
9		U-beam Assembly Enhancement Aftermarket Service Kit, <i>see page 5 for contents</i>			50754-029	Single Shock Fastener Service Kit, Includes Key Nos. 36-41	
	69565-001	Axle Set		36		**3/4"-1.0 UNC x 4 1/4" Upper Shock Bolt	4
	69565-002	One Wheel End		37		**3/4" Flat Washer	4
	34013-114	Single D-Pin Bushing Service Kit, Includes Key Nos. 10-13		38		**3/4"-1.0 UNC Locknut	4
10		**D-Pin Bushing	4	39		**5/8"-1.1 UNC x 7" Lower Shock Bolt	4
	56659-010	D-Pin Fastener Service Kit, Axle Set, Includes Key Nos. 11-13		40		**5/8" Flat Washer	8
11		**7/8"-1.4 UNF x 5" Bolt	8	41		**5/8"-1.1 UNC Locknut	4
12		**7/8" Flat Washer	16	42	60921-000	Height Control Valve Linkage Bracket	2
13		**7/8"-1.4 UNF Locknut	8		58821-034	S-cam Fastener Service Kit, Axle Set, Includes Key Nos. 43a, 44-49	
	60961-744	Single Air Spring Service Kit, Includes Key Nos. 14-17			58821-031	Includes Key Nos. 43b, 44-49	
14	67247-002	Air Spring Assembly, Includes Upper Frame Bracket	4	43		S-cam Support Bracket, <i>see part number on component</i>	4
15	60911-002	Lower Air Spring Mounting Bracket	4	a	64508-005	For Dana Axle	
	49177-006	Lower Air Spring Fastener Service Kit, Single, Includes Key Nos. 16-17		b	64508-003	For Meritor Axle	
16		**1/2" Flat Washer	8	44		**3/8"-1.6 UNC x 1 1/2" Hex Bolt	8
17		**1/2"-1.3 UNC Locknut	8	45		**3/8" Hardened Washer	16
	48718-120	U-bolt Service Kit, One Wheel End, Includes Key Nos. 18a-b, 19-20		46		**3/8"-1.6 UNC Locknut	8
18		**3/4" Square U-bolt	8	47		**9/16" S-cam U-bolt	4
a		Outboard - Length 10"		48		**5/16" Hardened Washer	16
b		Inboard - Length 10 1/2"		49		**5/16"-1.8 UNC Locknut	8
				50	70867-001	P-80 Bushing Lubricant - 10 ml. (not shown)	per Bushing 1



PRIMAAX EX 23KT • 26KT

15½" Ride Height

T – designates Tall Ride Height





PRIMAAX® EX 23K T • 26K T for Kenworth Vehicles

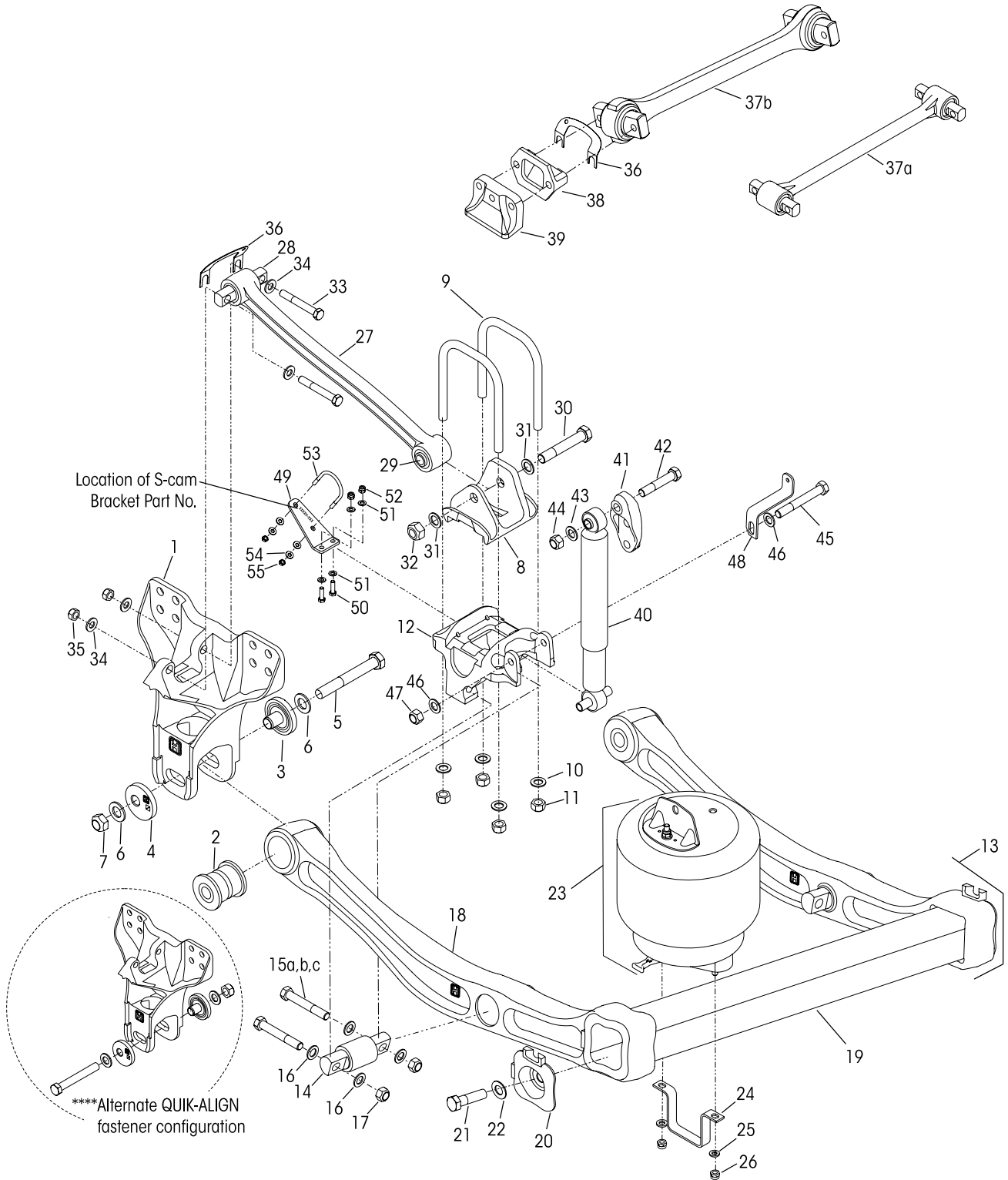
KEY NO.	PART NO.	DESCRIPTION	VEHICLE *QTY.	KEY NO.	PART NO.	DESCRIPTION	VEHICLE *QTY.
1		Frame Hanger			48718-129	U-bolt Service Kit, One Wheel End, Includes Key Nos. 21-23	
	67299-001	Left Hand	1	21	**3/4" Square U-bolt - Length 8 7/8"		4
	67299-002	Right Hand	1	22	**3/4" Flat Washer		16
		QUIK-ALIGN Pivot Bushing Service Kits, Includes Key Nos. 2-7, 50		23	**3/4"-1.6 UNF U-bolt Locknut		16
	60961-720	One Wheel End		24	60556-025 Bottom Cap		2
	60632-020	Axle Set		25	65289-000 Top Pad		2
	60632-019	QUIK-ALIGN Collar Service Kit, Includes Key Nos. 3-7		26	62011-415N Longitudinal Torque Rod Assembly		2
	60632-021	One Wheel End			49176-032 Longitudinal Torque Rod Bolt Service Kit, One Torque Rod, Includes Key Nos. 27-29		
	60632-018	Axle Set		27	**5/8"-1.1 UNC-2B x 8" Bolt		16
		QUIK-ALIGN Fastener Service Kit		28	**5/8" Flat Washer		32
		One Wheel End, Includes Key Nos. 5-7		29	**5/8"-1.1 UNC-2A Locknut		16
2		**QUIK-ALIGN Pivot Bushing	4	30	49689-000 Shim (As Required)		
3		**QUIK-ALIGN Concentric Collar	4	31	8240-0000-560 ***Transverse TRAAX ROD Assembly <i>Replaces 72000-560C</i>		1
4		**QUIK-ALIGN Eccentric Collar	4	32	Axle Stop		
5		**1"-1.4 UNF-2A x 7 1/2" Hex Bolt	4	a	70171-000 Left Hand Front		1
6		**1" H-Coat Flat Washer	8	b	70172-000 Right Hand Front		1
7		**1"-1.4 UNF-2B Locknut	4	c	70173-000 Left Hand Rear, Includes Upper Shock Bracket		1
8	67249-004	U-beam Assembly, Includes Key Nos. 2, 10	1	d	70174-000 Right Hand Rear, Includes Upper Shock Bracket		1
9		U-beam Assembly Enhancement Aftermarket Service Kit, see page 5 for contents		33	60665-011L Shock Absorber		2
	69565-001	Axle Set		34	59423-001 Upper Shock Frame Bracket, Front Axle		2
	69565-002	One Wheel End			Single Shock Fastener Service Kit, Front, works with Key No. 32a, 32b, Includes Key Nos. 35, 37-41		
	34013-117	Single D-Pin Bushing Service Kit, Includes Key Nos. 10-13			50754-030 Rear, works with Key Nos. 32c, 32d, Includes Key Nos. 36-41		
10		**D-Pin Bushing	2	35	**3/4"-1.0 UNC x 3 3/4" Upper Shock Bolt		2
	56659-012	D-Pin Fastener Service Kit, Axle Set, Includes Key Nos. 11-13		36	**3/4"-1.0 UNC x 4 1/4" Upper Shock Bolt		2
11		**3/4"-1.6 UNF x 4 3/4" Bolt	4	37	**3/4" Flat Washer		4
12		**3/4" Flat Washer	16	38	**3/4"-1.0 UNC Locknut		2
13		**3/4"-1.6 UNF Locknut	8	39	**5/8"-1.1 UNC x 6" Lower Shock Bolt		2
14		Upper Air Spring Bracket Assembly	2	40	**5/8" Flat Washer		4
	69932-002	23K T		41	**5/8"-1.1 UNC Locknut		2
	69932-003	26K T		42	60921-000 Height Control Valve Linkage Bracket		1
		Single Air Spring Assembly Service Kit, Includes Key Nos. 15-20		43	64508-XXX S-cam Support Bracket, <i>see part number on component</i>		2
	69951-003	23K T			58821-017 S-cam Fastener Service Kit, Axle Set, Includes Key Nos. 44-49		
	69882-003	26K T		44	**3/8"-1.6 UNC x 1 1/4" Hex Bolt		8
15		Air Spring Assembly	2	45	**3/8" Hardened Washer		16
	67391-002	23K T		46	**3/8"-1.6 UNC Locknut		8
	67044-002	26K T		47	**5/16" S-cam U-bolt		4
		Air Spring Fastener Service Kits, Single,		48	**5/16" Hardened Washer		16
	49177-006	Lower, Includes Key Nos. 16-17		49	**3/16"-1.8 UNC Locknut		8
	49177-023	Upper/Lower, Includes Key Nos. 16-19		50	70867-001 P-80 Bushing Lubricant - 10 ml. (not shown)	per Bushing	1
16		**1/2" Flat Washer	8				
17		**1/2"-1.3 UNC Locknut	8				
18		**3/4" Flat Washer	2				
19		**3/4"-1.6 UNF Locknut	2				
20	60911-002	Lower Air Spring Mounting Bracket	2				



PRIMAAX 230 • 460 • 690

Built Prior to March 2009

10" Ride Height





KEY NO. PART NO.		DESCRIPTION	VEHICLE *QTY.	KEY NO. PART NO.		DESCRIPTION	VEHICLE *QTY.
1	60821-001	Frame Hanger	4	23	60271-002L	Air Spring Assembly, Includes Upper Frame Bracket	4
	60961-720	QUIK-ALIGN Pivot Bushing Service Kits, Includes Key Nos. 2-7, 56		24	60911-000	Lower Air Spring Mounting Bracket	4
	60632-020	One Wheel End Axle Set			49177-006	Lower Air Spring Fastener Service Kit, Single, Includes Key Nos. 25-26	
	60632-019	QUIK-ALIGN Collar Service Kit, Includes Key Nos. 3-7		25		**1/2" Flat Washer	8
	60632-021	One Wheel End Axle Set		26		**1/2"-13 UNC Locknut	8
	60632-018	QUIK-ALIGN Fastener Service Kit One Wheel End, Includes Key Nos. 5-7		27		Longitudinal Torque Rod Assembly, Includes Key Nos. 28-29, <i>see Selection Guide on Page 3</i>	4
2		**QUIK-ALIGN Pivot Bushing	4	28	69210-000H	Bushing - Straddle Bar Pin - 3/4" Holes	4
3		**QUIK-ALIGN Concentric Collar	4	29	47692-000L	Torque Rod Bushing - Thru Holes	4
4		**QUIK-ALIGN Eccentric Collar	4		49176-008	Longitudinal Torque Rod Fastener Kit Axle Set, Includes Key Nos. 30-35	
5		**1"-14 UNF-2A x 7/2" Hex Bolt	4		58821-012	Single, Thru Bolt Connection, Includes Key Nos. 30-32	
6		**1" H-Coat Flat Washer	8	30		**7/8"-14 UNF-2A x 5 1/2" Hex Bolt	4
7		**1"-14 UNF-2B Locknut	4	31		**7/8" H-Coat Flat Washer	8
8	60877-001	Top Pad	4	32		**7/8"-14 UNF-2B Locknut	4
	48718-108	U-bolt Service Kit, One Wheel End, Includes Key Nos. 9-11		33		**3/4"-16 UNF-2A x 3 3/4" Hex Bolt	8
9		**3/4" Square U-bolt - Length 8 7/8"	8	34		**3/4" Flat Washer	16
10		**3/4" Flat Washer	16	35		**3/4"-16 UNF-2B Locknut	8
11		**3/4"-16 UNF U-bolt Locknut	16	36	49689-000	Shim (As Required)	
12	60556-XXX	Bottom Cap, <i>see Selection Guide on Page 3</i>	4	37		**Transverse Torque Rod Assembly	2
13		U-beam Assembly, Includes Key Nos. 2, 14, 18-19 <i>(Replaces previous U-beam assembly, support beam and cross tube assembly, see table below)</i>		a	62000-565N	ULTRA ROD, <i>Replaces 62000-565, 67428-565</i>	
	34013-107	Single D-pin Bushing Service Kit Includes Key Nos. 14, 15a, 16-17		b	8240-0000-560	TRAAX ROD <i>Replaces 72000-560C</i>	
	34013-116	Includes Key Nos. 14, 15b, 16-17		38	22186-000	Transverse Torque Rod Frame Bracket	2
	34013-117	Includes Key Nos. 14, 15c, 16-17		39	60593-000	Frame Mounted Axle Stop	4
14		**D-Pin Bushing	4	40	60657-017L	Shock Absorber <i>Replaces 60657-005, 60657-003</i>	4
	56659-009	D-Pin Fastener Service Kit, Axle Set Includes Key Nos. 15a, 16-17		41	67463-002	Upper Shock Frame Bracket, <i>Replaces 65000-002</i>	4
	56659-013	Includes Key Nos. 15b, 16-17			50754-030	Single Shock Fastener Service Kit, Includes Key Nos. 42-47	
	56659-012	Includes Key Nos. 15c, 16-17		42		**3/4"-10 UNC x 4 1/4" Upper Shock Bolt	4
15		**3/4"-16 UNF Bolt	8	43		**3/4" Flat Washer	4
a		Length 5"		44		**3/4"-10 UNC Locknut	4
b		Length 5 1/2"		45		**5/8"-11 UNC x 6" Lower Shock Bolt	4
c		Length 4 3/4"		46		**5/8" Flat Washer	8
16		**3/4" Flat Washer	16	47		**5/8"-11 UNC-2B Locknut	4
17		**3/4"-16 UNF Locknut	8	48	60921-000	Height Control Valve Linkage Bracket	1
18		Support Beam Assembly (<i>66435-XXX, No longer available, see table below</i>)		49	64508-000	S-cam Support Bracket, <i>see part number on component</i>	4
19		Cross Tube (<i>60912-001, No longer available, see table below</i>)			58821-017	S-cam Fastener Service Kit, Axle Set, Includes Key Nos. 50-55	
	46772-001	End Cap and Fastener Kit, Axle Set, Includes Key Nos. 20-22		50		**3/8"-16 UNC x 1 1/4" Hex Bolt	8
20		**End Cap	4	51		**3/8" Hardened Washer	16
21		**7/8"-9 UNC x 3 1/2" Hex Bolt	4	52		**3/8"-16 UNC Locknut	8
22		**7/8" H-Coat Flat Washer	4	53		**1/6" S-cam U-bolt	4
	60961-062	Single Air Spring Service Kit, Includes Key Nos. 23-26		54		**5/16" Hardened Washer	16
				55		**3/16"-18 UNC Locknut	8
				56	70867-001	P-80 Bushing Lubricant - 10 ml. per Bushing 1 (not shown)	

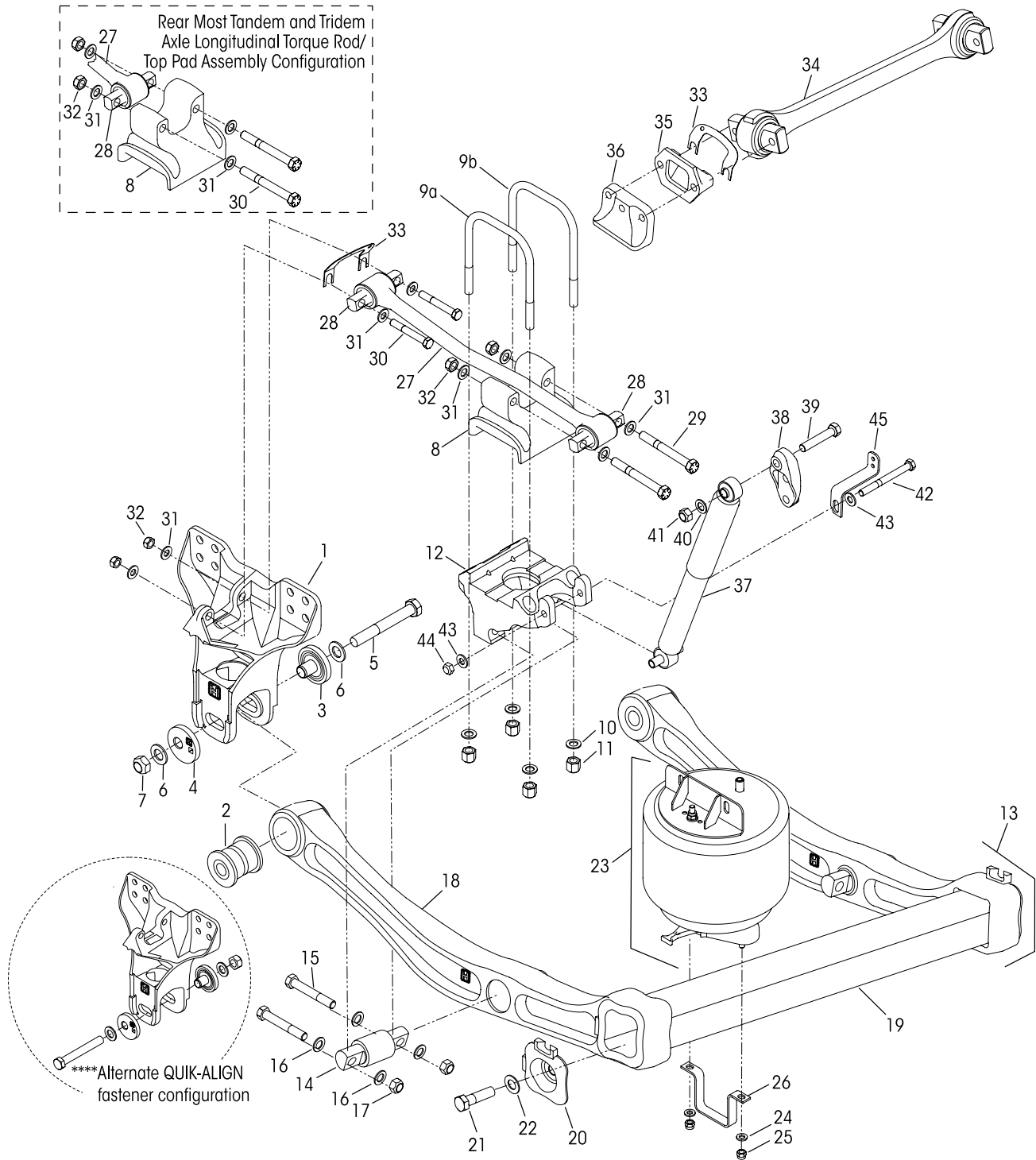
Key Nos. 13, 18 & 19		Discontinued		Cross Tube Part Number	New
		Support Beam Assembly Part Number 60831-00X • 66435-00X			
Ride Height	Drive Axle	Left Hand	Right Hand	60912-001	60961-235 60961-236
8.5"-10.0"	Forward	-003	-004		
	Rear	-001	-002		



PRIMAAX 260 • 520

Built Prior to March 2009

10" Ride Height





KEY NO.	PART NO.	DESCRIPTION	VEHICLE *QTY.
1	60821-001	Frame Hanger	4
		QUIK-ALIGN Pivot Bushing Service Kits, Includes Key Nos. 2-7, 46	
	60961-720	One Wheel End	
	60632-020	Axle Set	
		QUIK-ALIGN Collar Service Kit, Includes Key Nos. 3-7	
	60632-019	One Wheel End	
	60632-021	Axle Set	
	60632-018	QUIK-ALIGN Fastener Service Kit One Wheel End, Includes Key Nos. 5-7	
2		**QUIK-ALIGN Pivot Bushing	4
3		**QUIK-ALIGN Concentric Collar	4
4		**QUIK-ALIGN Eccentric Collar	4
5		**1"-14 UNF-2A x 7½" Hex Bolt	4
6		**1" H-Coat Flat Washer	8
7		**1"-14 UNF-2B Locknut	4
8		Top Pad, <i>see Illustration on Page 4</i>	4
	65210-001	Meritor Straight Side	
	65210-002	Dana Straight Side	
	65210-003	Meritor Transition Side	
	65210-004	Dana Transition Side	
	48718-120	U-bolt Service Kit, One Wheel End, Includes Key Nos. 9a-9b, 10-11	
9		**¾" Square U-bolt	8
	a	Outboard - Length 10"	
	b	Inboard - Length 10½"	
10		**¾" Flat Washer	16
11		**¾"-16 UNF U-bolt Locknut	16
12	65208-XXX	Bottom Cap, <i>see Selection Guide on Page 4</i>	4
13		U-beam Assembly, Includes Key Nos. 2, 14, 18-19 <i>(Replaces previous U-beam assembly, support beam and cross tube assembly, see table below)</i>	
	34013-114	Single D-Pin Bushing Service Kit, Includes Key Nos. 14-17	
14		**D-Pin Bushing	4
	56659-010	D-Pin Fastener Service Kit, Axle Set, Includes Key Nos. 15-17	
15		**7/8"-14 UNF x 5" Bolt	8
16		**7/8" Flat Washer	16
17		**7/8"-14 UNF Locknut	8
18		Support Beam Assembly (66435-XXX, No longer available, <i>see table below</i>)	
19		Cross Tube (60912-001, No longer available, <i>see table below</i>)	

KEY NO.	PART NO.	DESCRIPTION	VEHICLE *QTY.
	46772-001	End Cap and Fastener Kit, Axle Set, Includes Key Nos. 20-22	
20		**End Cap	4
21		**7/8"-9 UNC x 3½" Hex Bolt	4
22		**7/8" H-Coat Flat Washer	4
	60961-118	Single Air Spring Service Kit, Includes Key Nos. 23-26	
23	66255-002	Air Spring Assembly, Includes Upper Frame Bracket and Fasteners	4
	49177-006	Lower Air Spring Fastener Service Kit, Single, Includes Key Nos. 24-25	
24		**½" Flat Washer	12
25		**½"-13 UNC Locknut	12
26	60911-000	Lower Air Spring Mounting Bracket	4
27	66359-XXX	Longitudinal Torque Rod Assembly, <i>see Selection Guide on Page 4</i>	4
28	69210-000H	Bushing - Straddle Bar Pin (¾" Holes)	8
	49176-017	Torque Rod Fastener Service Kit, Axle Set, Includes Key No. 29-32	
29		**¾"-16 UNF x 6" Hex Bolt	8
30		**¾"-16 UNF x 3¾" Hex Bolt	8
31		**¾" Flat Washer	32
32		**¾"-16 UNF Locknut	16
33	49689-000	Shim (As Required)	
34	8240-0000-560	***Transverse TRAAX ROD Assembly <i>Replaces 72000-560C</i>	2
35	22186-000	Transverse Torque Rod Frame Bracket	2
36	60593-000	Frame Mounted Axle Stop	4
37		Shock Absorber	4
	60665-013L	For vehicles with Drum Brakes only	
	60665-015L	For vehicles with Disc Brakes only	
38	67463-002	Upper Shock Frame Bracket, <i>Replaces 65000-002</i>	4
	50754-029	Single Shock Fastener Service Kit, Includes Key Nos. 39-44	
39		**¾"-10 UNC x 4¼" Upper Shock Bolt	4
40		**¾" Flat Washer	4
41		**¾"-10 UNC Locknut	4
42		**5/8"-11 UNC x 7" Lower Shock Bolt	4
43		**5/8" Flat Washer	8
44		**5/8"-11 UNC Locknut	4
45	60921-000	Height Control Valve Linkage Bracket	2
46	70867-001	P-80 Bushing Lubricant - 10 ml. per Bushing 1 (not shown)	

Key Nos. 13, 18 & 19		Discontinued		Cross Tube Part Number	New
		Support Beam Assembly Part Number 60831-00X • 66435-00X			
Ride Height	Drive Axle	Left Hand	Right Hand		
8.5"-10.0"	Forward	-007	-008	60912-001	60961-253
	Rear	-005	-006		60961-254
	+	-001	-002		60961-718++

NOTES: + PRIMAAX 260 single axle only. Use with Dana S26-190 axle.
++ Upper air spring bracket not included. The original bracket equipped on this vehicle can be used with the new air spring assembly included in the U-beam assembly service kit.

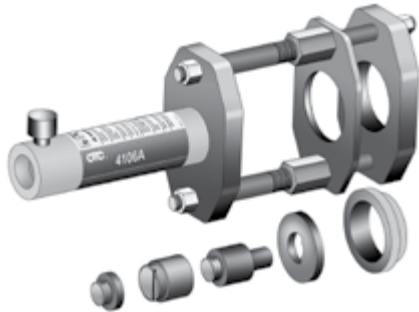


■ Special Tools

D-PIN / QUIK-ALIGN PIVOT BUSHING SERVICE TOOLS

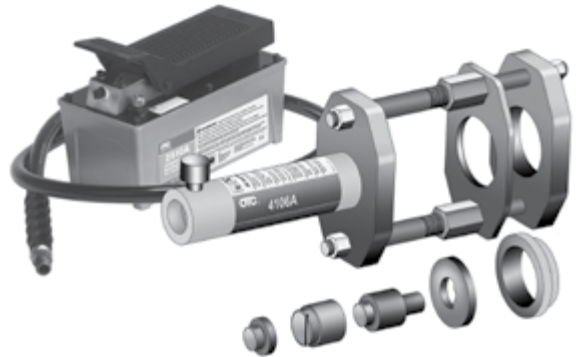
Hendrickson Part No. 66086-202

OTC Part No. 4246 Visit otctools.com



Hendrickson Part No. 66086-204

OTC Part No. 4247 Visit otctools.com

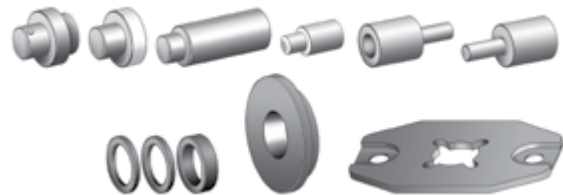


Hendrickson Part No. 66086-205

OTC Part No. 4254

Visit otctools.com

NOTE: In conjunction with Hendrickson Part No. 66086-204 (OTC 4247) this additional adapter tool kit is available to purchase to be used on Hendrickson SOFTEK NXT suspension (not needed for this suspension)



QUIK-ALIGN PIVOT BUSHING SERVICE TOOL

Hendrickson Part No. 66086-203L

Reference Literature No. 59310-061



QUIK-ALIGN SOCKET TOOL

Hendrickson Part No. 66086-200

OTC Part No. 1767

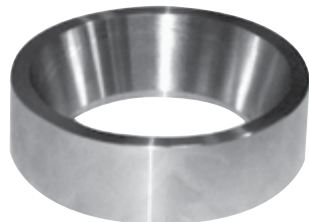
Visit otctools.com



TORQUE ROD BUSHING FUNNEL TOOL

ULTRA ROD PLUS

Hendrickson Part No. 66086-000L



PRIMAAX QUIK-WRENCH TOOL

Hendrickson Part No. 66086-201

OTC Part No. 1768

Visit otctools.com

For vehicles built PRIOR TO March 2009, not for use for vehicles equipped with PRIMAAX EX.



This is a general parts list to provide directional information. Components may vary by model. Questions in regards to parts, contact Hendrickson Truck Parts at 1.866.755.5968 (Toll-free U.S. and Canada), 630.910.2800 (Outside U.S. and Canada) or e-mail: truckparts@hendrickson-intl.com. Actual product performance may vary depending upon vehicle configuration, operation, service and other factors. All applications must comply with applicable Hendrickson specifications and must be approved by the respective vehicle manufacturer with the vehicle in its original, as-built configuration. Contact Hendrickson for additional details regarding specifications, applications, capacities, and operation, service and maintenance instructions.

Call your truck dealer or Hendrickson at **1.866.755.5968** (toll-free) or **1.630.910.2800** for additional information.



www.hendrickson-intl.com

TRUCK COMMERCIAL VEHICLE SYSTEMS
 800 South Frontage Road
 Woodridge, IL 60517-4904 USA
 1.866.755.5968 (Toll-free U.S. and Canada)
 1.630.910.2800 (Outside U.S. and Canada)
 Fax 1.630.910.2899

SP-225 Rev F 06-19

© 2011-2019 Hendrickson USA, L.L.C. All Rights Reserved. All trademarks shown are owned by Hendrickson USA, L.L.C., or one of the affiliates, in one or more countries. Information contained in this literature was accurate at the time of publication. Product changes may have been made after the copyright date that are not reflected.

Printed in United States of America