

H PARTS LIST

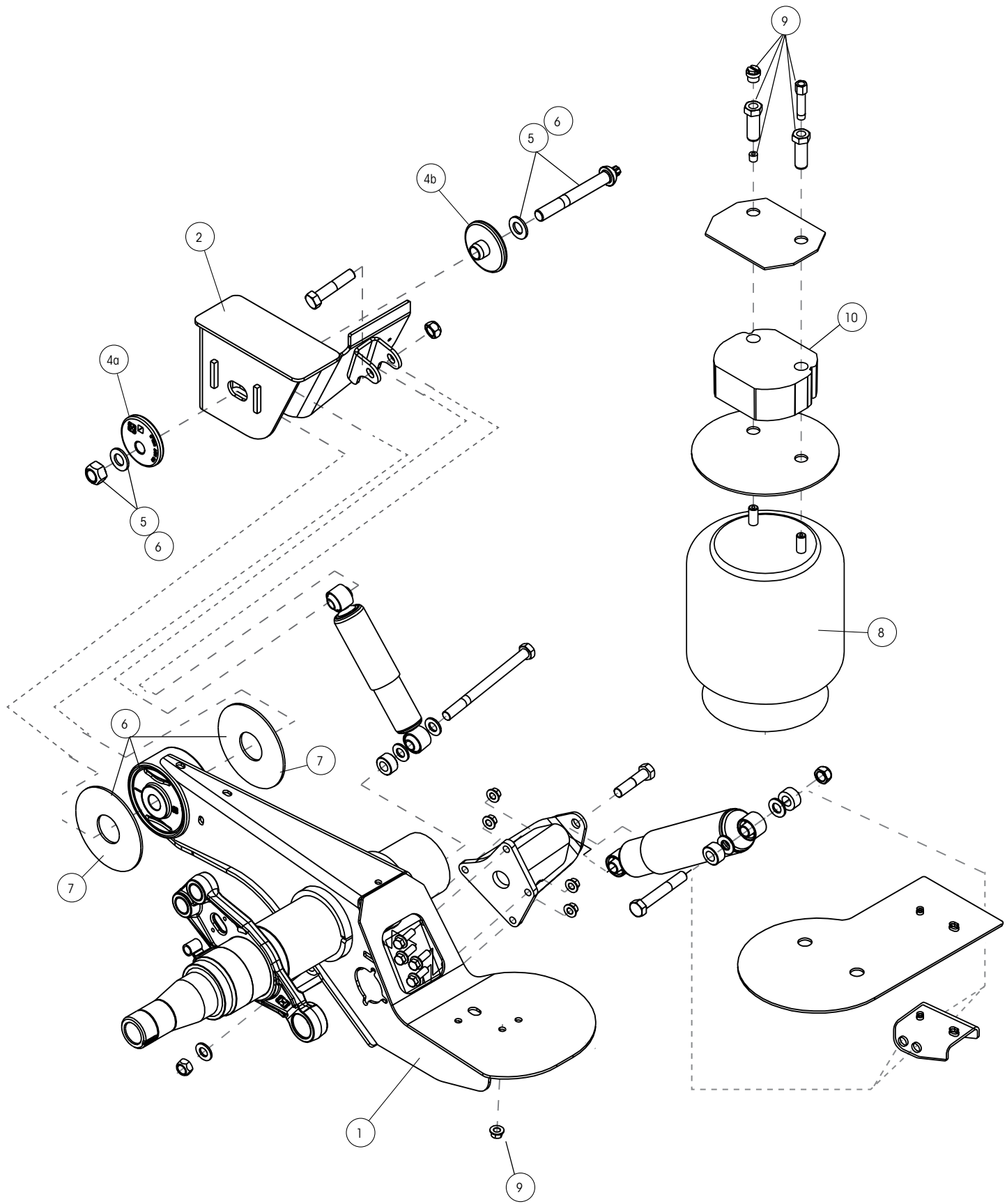
INTRAAX® AANLS 20K

LIT NO: L1050

DATE: October 2019

REVISION: B







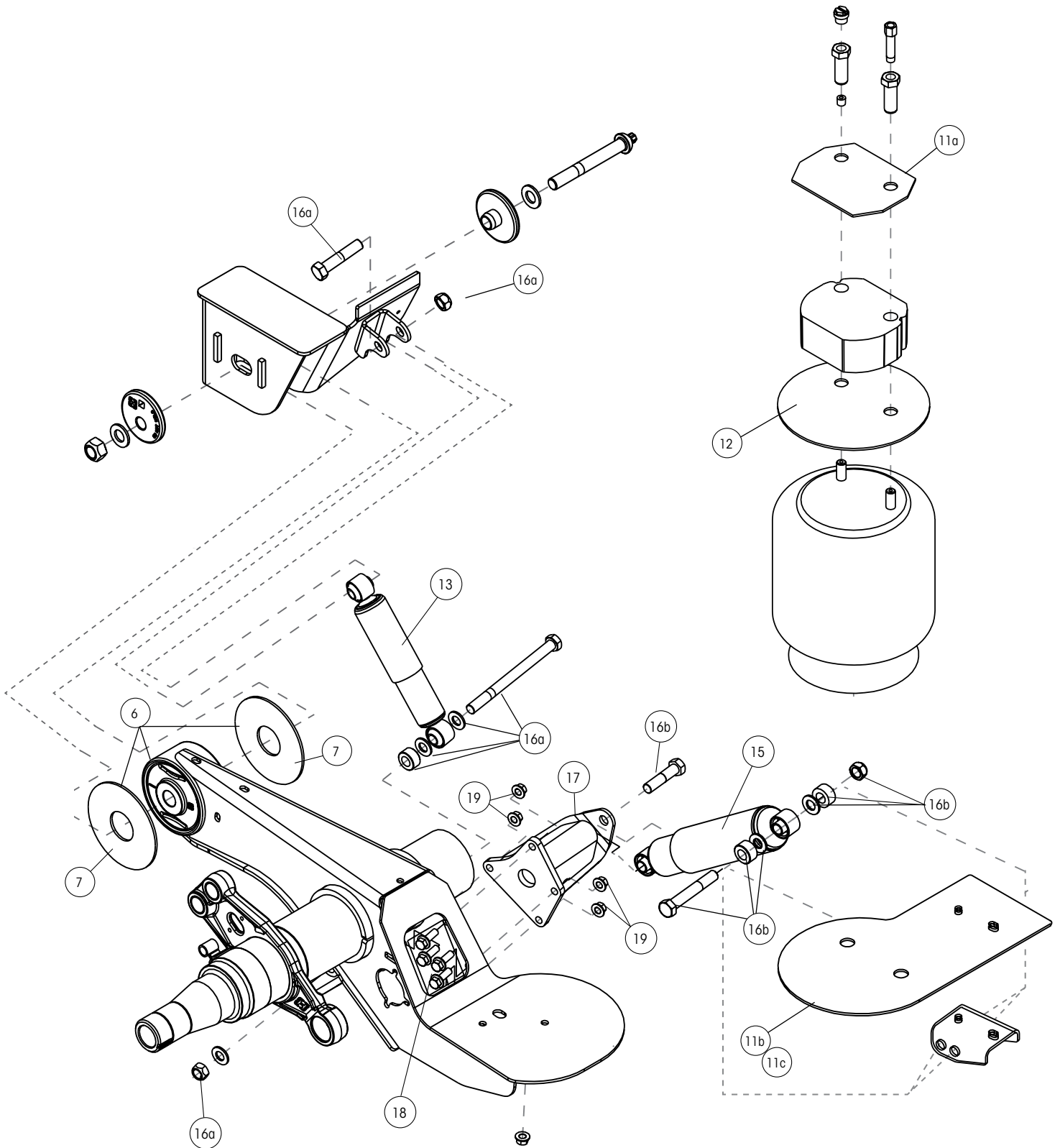
INTRAAAX AANLS 20K PARTS LIST

ITEM	DESCRIPTION	PART NO.	QTY.	NOTE
1	AXLE/BEAM WELDMENT	HTRAAX.XXX	1	Contact Hendrickson for assistance
2	FRAME BRACKETS¹			See L1266 Frame Bracket Parts List
3	FRAME BRACKET GUSSET (Not Shown)			
	Standard Mount	S-27330	1	
	Flush Mount	S-28516	1	
4	ALIGNMENT COLLARS			
	4a Eccentric	S-20925	2	Pivot bolt hole is offset from center of collar
	4b Concentric	S-20924	2	Pivot bolt hole is in center of collar
5	QUIK-ALIGN[®] PIVOT BOLT KIT³	S-24705	2	Includes 7" bolt, hex nut and (2) hardened washers
6	TRI-FUNCTIONAL[®] III BUSHING KIT^{2, 3}	S-26321	2	Includes (2) tri-functional bushings, (2) pivot bolt kits, (4) bushing tube spacers and lube packet
7	BUSHING TUBE SPACERS	S-26807	4	
8	AIR SPRING	S-23721	2	All ride heights
9	AIR SPRING MOUNTING KIT			
		S-22619/2	2	6.25" and 7" ride heights; no air spring spacer
		S-22632/2	2	9" and 12" ride heights; standard air spring spacer
		S-22630/2	2	6.25" and 7" ride height; thick frame .90" to 1.25" thickness
		S-22619/2	2	All ride heights with steel air spring spacer
10	AIR SPRING SPACER			
	Plastic Spacer	B-22510-3	2	9" and 12" ride heights
	Steel Spacer		1	9" and 12" ride heights
	Roadside	D-28398-2L		Use with extended service rear shock and
	Curbside	D-28398-2R		Narrow air spring centers
	Steel Spacer	D-28397	2	9" and 12" ride heights
				Use when unit has no rear shock

1. Other options exist based on frame attachment, frame bracket style, bolt hole pattern and connection. Contact Hendrickson for assistance or refer to L1266 Frame Bracket Parts List.

2. Bushing tool, S-24736, is required to correctly rebush the suspension.

3. Best installed with Hendrickson's E-20 socket S-24536 (1-inch drive) or S-24303 (3/4-inch drive).





INTRAAAX AANLS 20K PARTS LIST

ITEM	DESCRIPTION	PART NO.	QTY.	NOTE
11	AIR SPRING MOUNTING PLATE			
	11a Roadside Curbside	S-20905	2	9" and 12" ride heights Standard travel or limited rebound; Standard Air spring hardware; no rear shock
	11b Roadside Curbside	C-26157-1L C-26157-1R	1	All ride heights; narrow air spring centers Standard travel or limited rebound; Standard Air spring hardware; extended service rear shock
	11c Roadside Curbside	C-26157-2L C-26157-2R	1 1	All ride heights; Standard travel or limited rebound; Steel air spring spacer; Extended service rear shock
12	AIR SPRING FLEX PLATE	S-23294	2	All ride heights
13	FRONT SHOCK ABSORBER			
	6.25" - 9" ride heights	S-23651	2	Standard Duty
	12" ride height	S-23566	2	Standard Duty
	6.25" - 9" ride heights	S-24579	2	Extended Service / High Damping Shock
	12" ride height	S-24023	2	Extended Service / High Damping Shock
14	SHOCK STRAP (Not Shown)			Includes 2 shock straps, 2 clevis and 4 nylon ties
	6.25" - 9" Ride Height	C-23086-4	1	Use with S-23651 shock
	6.25" - 9" Ride Height	C-23086-8	1	Use with S-24579 shock
	12" Ride Height	C-23086-1	1	Use with S-23566 shock
	12" Ride Height	C-23086-2	1	Use with S-24023 shock
15	REAR SHOCK ABSORBER			
	6.25" and 7" Ride Heights	S-25515	2	
	9" Ride Height	S-23316	2	
16	SHOCK BOLT KITS			
	16a Front Shock Absorber	S-26154/2	2	1 kit required per shock
	16b Rear Shock Absorber	S-26161/2	2	
17	REAR SHOCK TOWER			
	Roadside	D-24807-1	1	
	Curbside	D-24807-2	1	
18	REAR SHOCK TOWER BOLT	SA-6900-24	8	
19	REAR SHOCK TOWER NUT	SA-7000-1	8	
20	REAR SHOCK TOWER BACKING PLATE (Not Shown)	S-37171	2	

NOTE: Identification tag can be found on the inside of the curbside beam.

*Actual product performance may vary depending upon vehicle configuration, operation, service and other factors.
All applications must comply with applicable Hendrickson specifications and must be approved by the respective vehicle manufacturer with the vehicle in its original, as-built configuration.
Contact Hendrickson for additional details regarding specifications, applications, capacities, and operation, service and maintenance instructions.*

Call Hendrickson at 330.489.0045 or 866.RIDEAIR (743.3247) for additional information.



www.hendrickson-intl.com

TRAILER COMMERCIAL VEHICLE SYSTEMS

2070 Industrial Place SE
Canton, OH 44707-2641 USA
866.RIDEAIR (743.3247)
330.489.0045 • Fax 800.696.4416

Hendrickson Canada

250 Chrysler Drive, Unit #3
Brampton, ON Canada L6S 6B6
800.668.5360
905.789.1030 • Fax 905.789.1033

Hendrickson Mexicana

Circuito El Marqués Sur #29
Parque Industrial El Marqués
Pob. El Colorado, Municipio El Marqués,
Querétaro, México C.P. 76246
+52 (442) 296.3600 • Fax +52 (442) 296.3601

L1050 Rev B 10-19

© 2008 - 2019 Hendrickson USA, L.L.C. All Rights Reserved. All trademarks shown are owned by Hendrickson USA, L.L.C., or one of its affiliates, in one or more countries.
Information contained in this literature was accurate at the time of publication. Product changes may have been made after the copyright date that are not reflected.

Printed in United States of America