

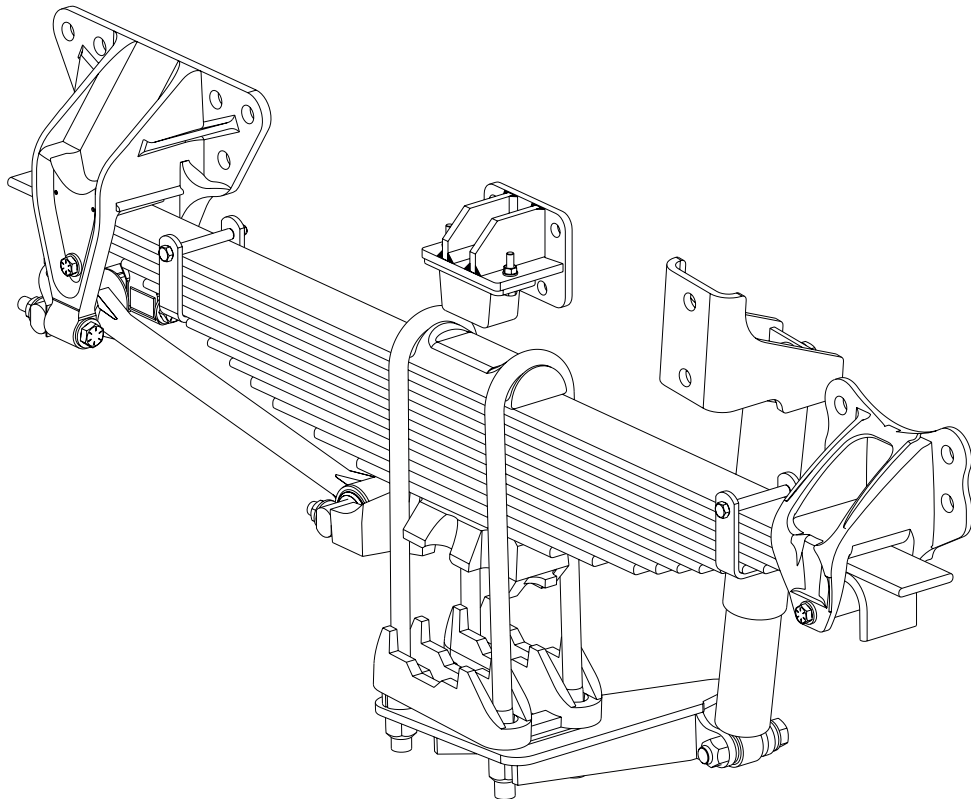
H PARTS LIST

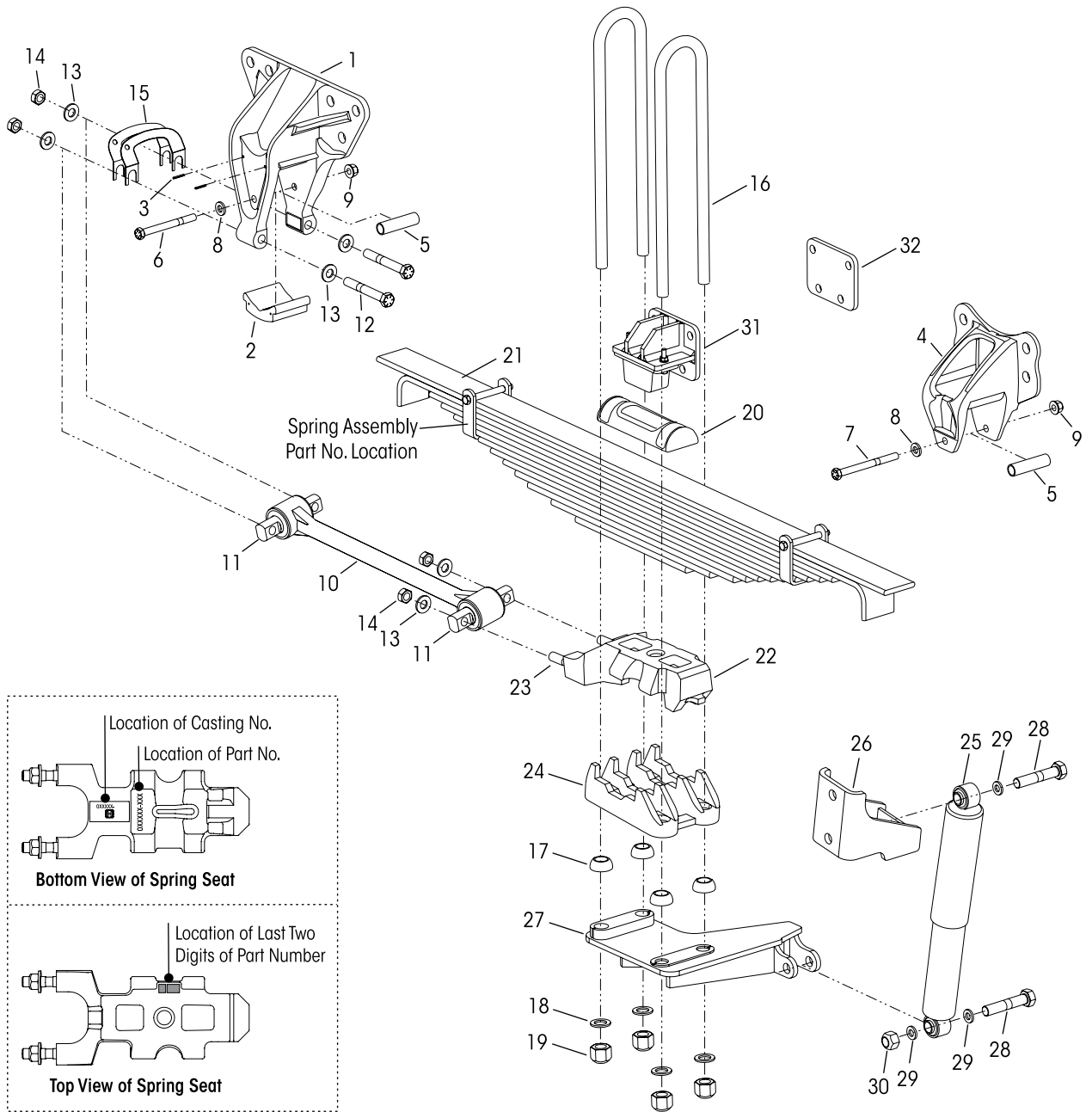
HTS™ 21K Rear Suspension for Lion Type C School Bus

LIT NO: SP-229

DATE: February 2017

REVISION: C







KEY NO.	PART NO.	DESCRIPTION	VEHICLE QTY.	KEY NO.	PART NO.	DESCRIPTION	VEHICLE QTY.
1	58425-001	Front Spring Hanger Assembly, Includes Key Nos. 2-3	2	18	22962-002	7/8" Flat Washer	8
2	56929-000	Slipper Pad	2	19	50765-000	7/8"-14 UNF-2B Nut	8
3	58287-001	Retainer Lock Pin	4	20	48797-000	Top Pad	2
4	50028-001	Rear Spring Hanger	2	21	53192-000	Spring Assembly	2
5	58631-000	Rebound Roller	4	22		Spring Seat Assembly, Includes Key Nos. 13-14, 23	2
6	24531-015	1/2"-13 UNC-2B x 5 1/2" Hex Bolt	2		50970-031	2.5° for Diesel	
7	24531-014	1/2"-13 UNC-2B x 5" Hex Bolt	2		50970-031	5.5° for Electric	
8	22962-014	1/2" Flat Washer	4	23	50918-000	5/8"-11 UNC Stud	4
9	60819-000	1/2"-13 UNC-2B Flange Nut	4	24	50216-000	Axle Bottom Cap	2
10	62001-495	Longitudinal Torque Rod Assembly, Includes Key No. 11	2	25	60665-025L	Shock Absorber	2
11	47691-000L	Torque Rod Bushing	4	26	67530-000	Upper Shock Bracket	2
12	32043-005	5/8"-11 UNC x 4 1/2" Hex Bolt	4	27		Lower Shock Bracket	
13	22962-004	5/8" Flat Washer	12		67556-003	Left Hand	1
14	47764-000	5/8"-11 UNC Locknut	8		67556-004	Right Hand	1
15	49689-000L	Torque Rod Shim	As Req.	28	50764-004	3/4"-10 UNC x 3 3/4" Hex Bolt	4
	48718-149	U-bolt Fastener Service Kit, Axle Set, Includes Key Nos. 16-19		29	22962-001	3/4" Washer	6
16	47417-010	7/8"-14 UNF- 2A x 19" U-bolt	4	30	49842-000	3/4"-10 UNC Nut	2
17	48574-000	7/8" Spherical Washer	8	31	69883-000	Bump Stop Assembly	2
				32	69877-001	Backing Plate	2

■ Special Tools

ULTRA ROD TORQUE ROD BUSHING FUNNEL TOOL



Hendrickson Part No. 66086-001L

This is a general parts list to provide directional information. Components may vary by model. Questions in regards to parts, contact Hendrickson Truck Parts at 1.866.755.5968 (Toll-free U.S. and Canada), 630.910.2800 (Outside U.S. and Canada) or e-mail: truckparts@hendrickson-intl.com.

Actual product performance may vary depending upon vehicle configuration, operation, service and other factors.

All applications must comply with applicable Hendrickson specifications and must be approved by the respective vehicle manufacturer with the vehicle in its original, as-built configuration.

Contact Hendrickson for additional details regarding specifications, applications, capacities, and operation, service and maintenance instructions.

*Call Hendrickson at **1.866.755.5968** (toll-free) or **1.630.910.2800** for additional information.*



www.hendrickson-intl.com

TRUCK COMMERCIAL VEHICLE SYSTEMS

800 South Frontage Road
Woodridge, IL 60517-4904 USA
1.866.755.5968 (Toll-free U.S. and Canada)
1.630.910.2800 (Outside U.S. and Canada)
Fax 1.630.910.2899

SP-229 Rev C 02-17

© 2011–2017 Hendrickson USA, L.L.C. All Rights Reserved. All trademarks shown are owned by Hendrickson USA, L.L.C., or one of the affiliates, in one or more countries.

Information contained in this literature was accurate at the time of publication. Product changes may have been made after the copyright date that are not reflected.

Printed in United States of America