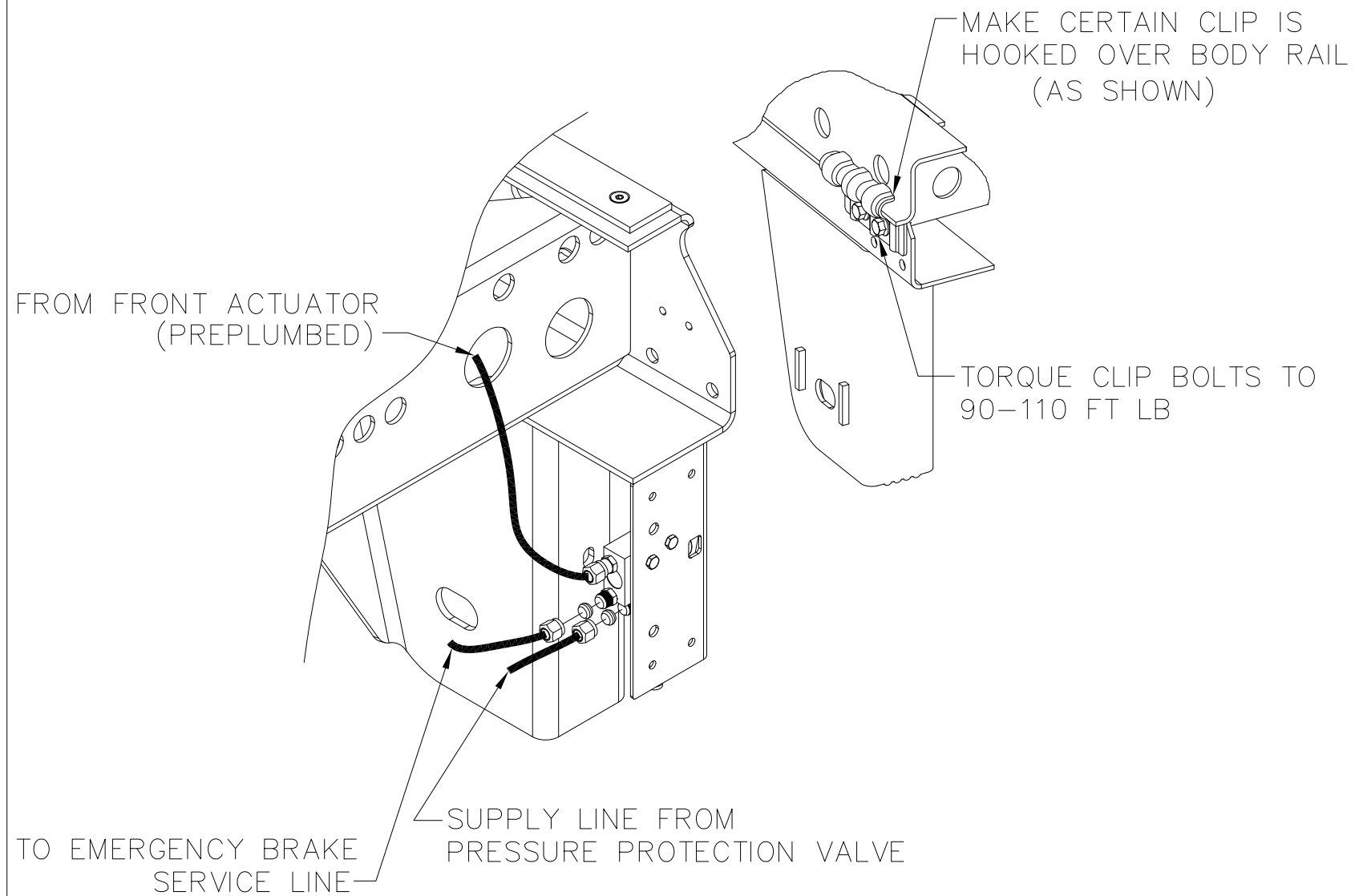


MANUAL BOX



QUIK-DRAW®

This Print remains the property of Hendrickson. All information contained thereon is confidential. It is loaned, subject to return on demand and on express condition that it is not to be copied or used directly or indirectly for any purpose other than the purpose for which it has been loaned to you.



TRAILER COMMERCIAL VEHICLE SYSTEMS
2070 INDUSTRIAL PLACE S.E., CANTON, OH 44707-2600 U.S.A.

UNLESS OTHERWISE NOTED:	
TOLERANCES ARE	DIMENSIONS ARE:
X: ± .1	MM [INCHES]
.X: ± .06	
.XX: ± .030	3RD ANGLE PROJECTION
ANGULAR: ± 0.5°	
DIMENSIONS ADHERE TO ANSI Y14.5M-1982	

7	33862	JMD	06-10-20
6	20054	CDR	9/1/11
5	18450	CLA	10-28-09
4	10480	KJG	2-21-01
REV.	ECN NO.	BY	DATE

DRAWN BY	DATE
K. GALIGHER	05-10-00
CHK'D BY	
12/3/99 G. SHENKLE	
APP'D BY:	
R. McCLELLAND	

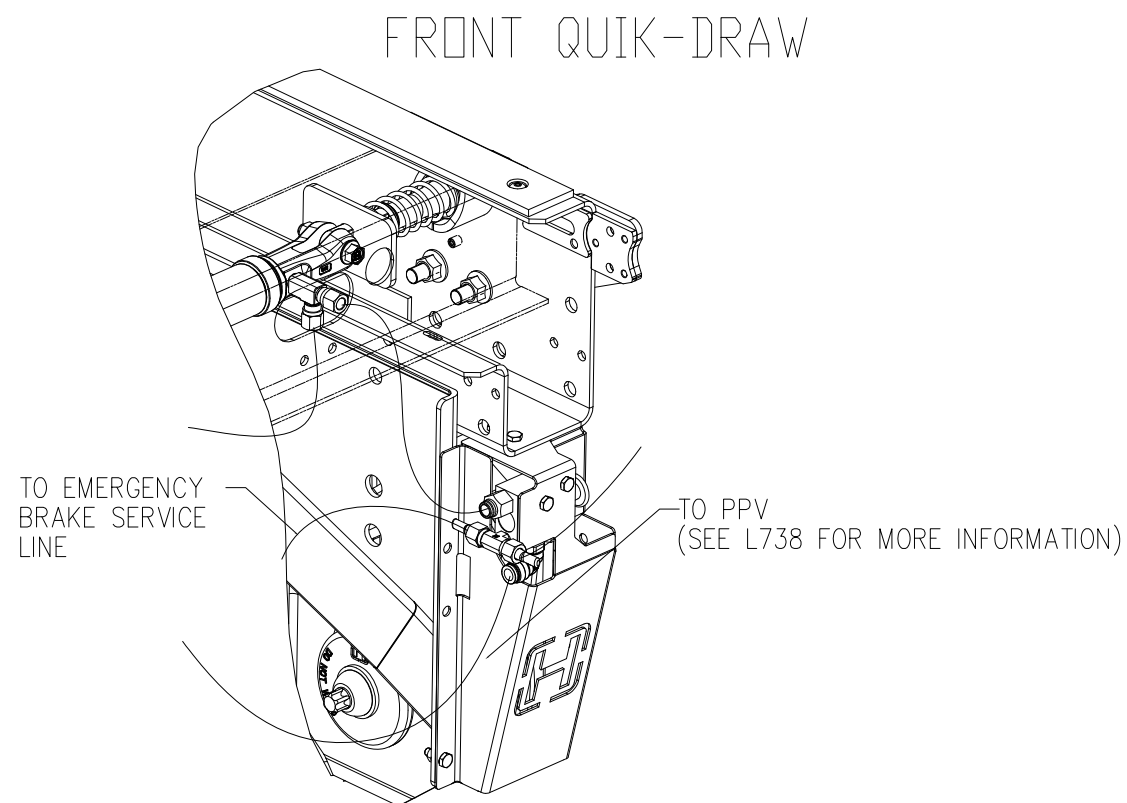
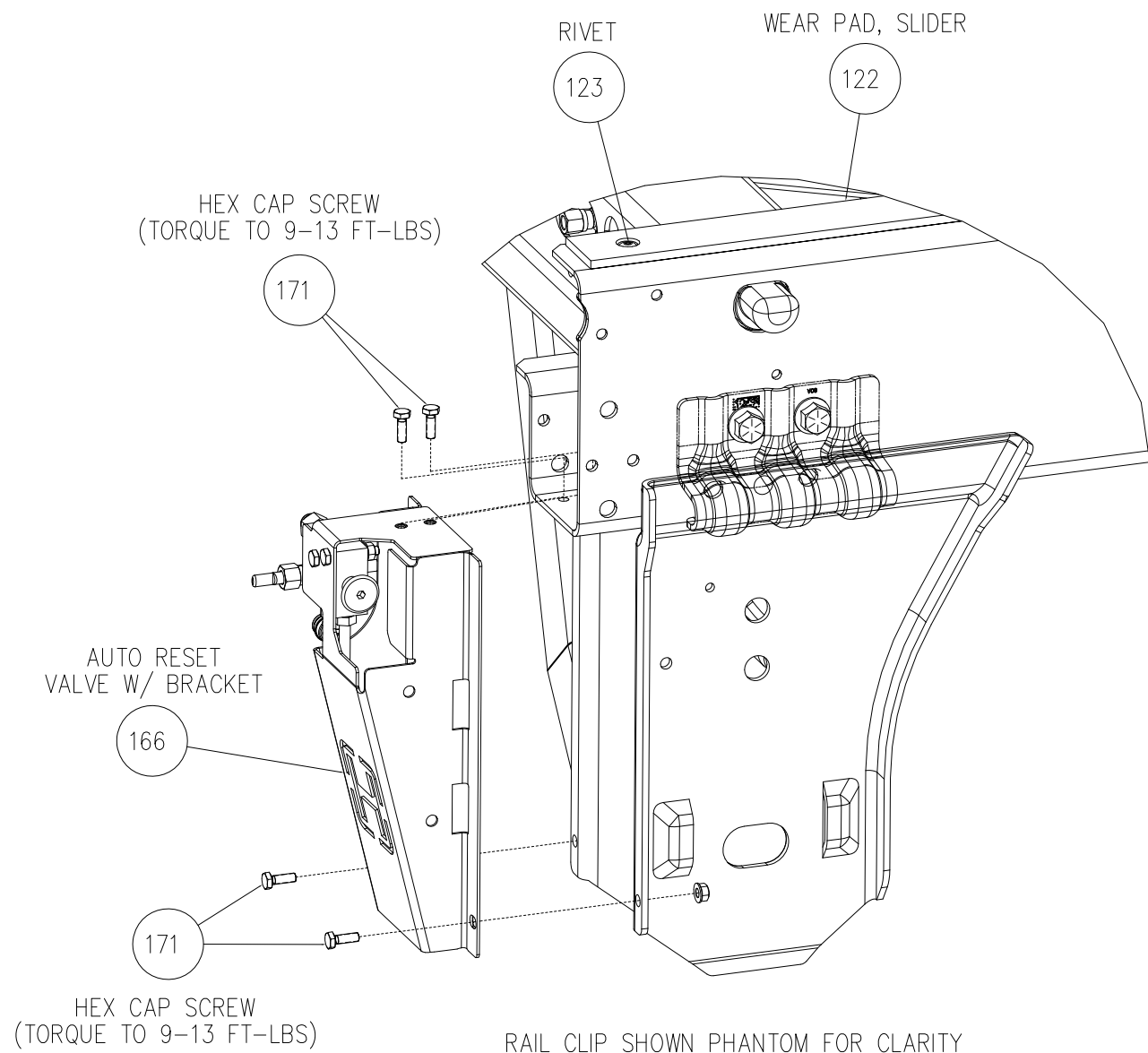
THIS DRAWING IS THE CONFIDENTIAL PROPERTY OF HENDRICKSON

AFTERMARKET SLIDER BOX
INSTALLATION

SCALE	PAGE
.125=1.000	1 OF 2
(SIZE)	DRAWING No.
B-25566	

7 P PRODUCTION

ULTRAA-K WITH CHAMBER UP TECHNOLOGY



This Print remains the property of Hendrickson. All information contained thereon is confidential. It is loaned, subject to return on demand and on express condition that it is not to be copied or used directly or indirectly for any purpose other than the purpose for which it has been loaned to you.



UNLESS OTHERWISE NOTED:					
TOLERANCES ARE:		DIMENSIONS ARE:			
X: ± .1		MM [INCHES]			
.X: ± .06		3RD ANGLE PROJECTION			
.XX: ± .030					
ANGULAR: ± 0.5°		7	33862	JMD	06-10-20
DIMENSIONS ADHERE TO ANSI Y14.5M-1982		REV.	ECN NO.	BY	DATE

DRAWN BY	J. DAHLER	DATE	06-10-20
CHK'D BY	G. RUNDELL	THIS DRAWING IS THE CONFIDENTIAL PROPERTY OF HENDRICKSON	
APP'D BY:	B. NAPLES		

AFTERMARKET SLIDER BOX INSTALLATION

SCALE	.125=1.000	P	PRODUCTION
(SIZE)		PAGE	2 OF 2
		DRAWING No.	B-25566