

H PARTS LIST

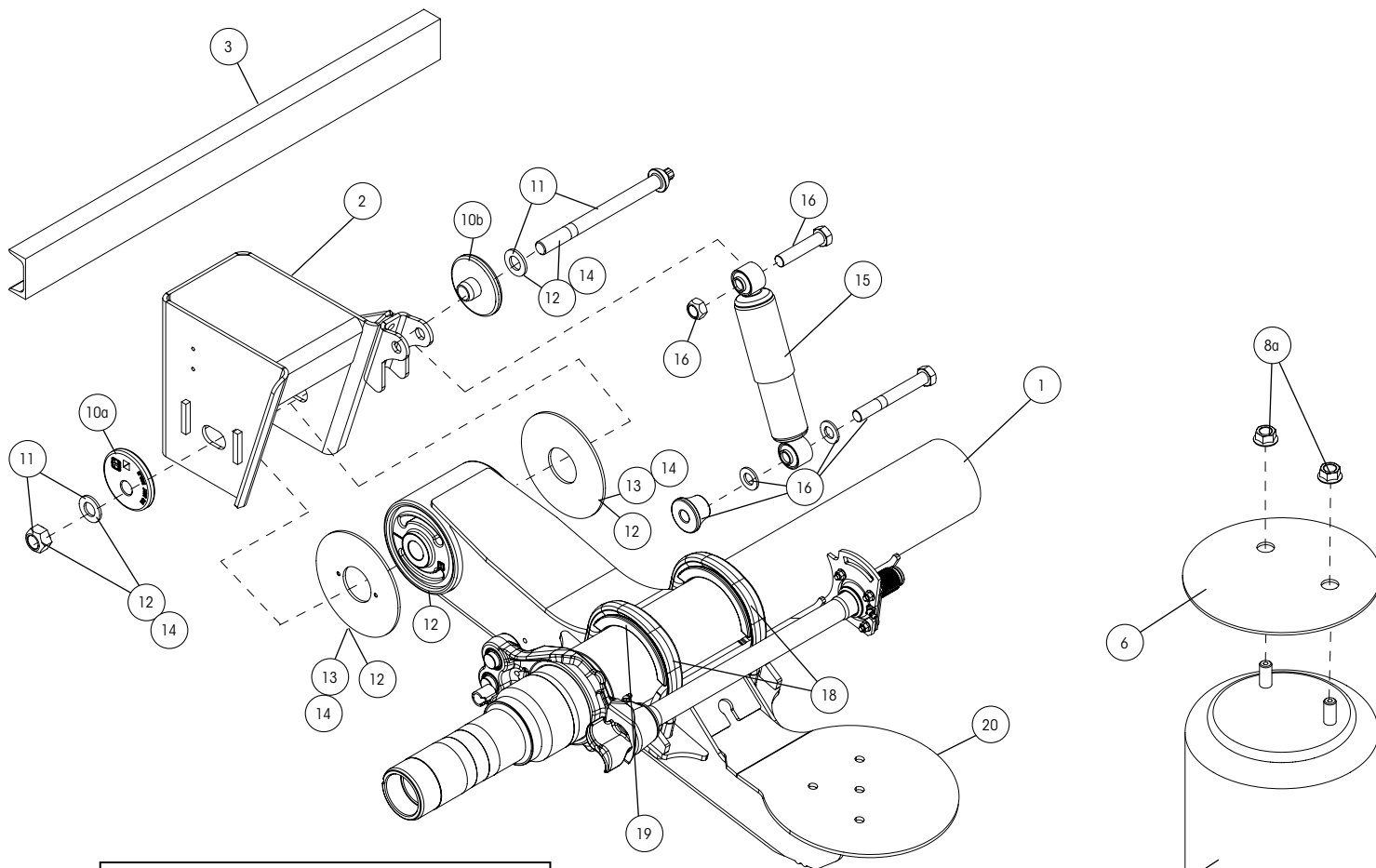
CONNEX™ CXU 23K / 25K

LIT NO: L1280

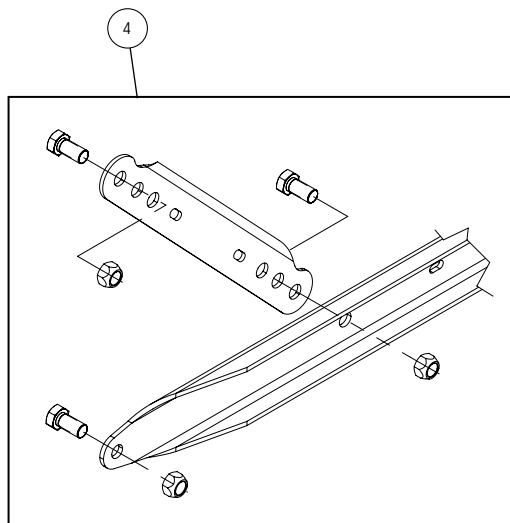
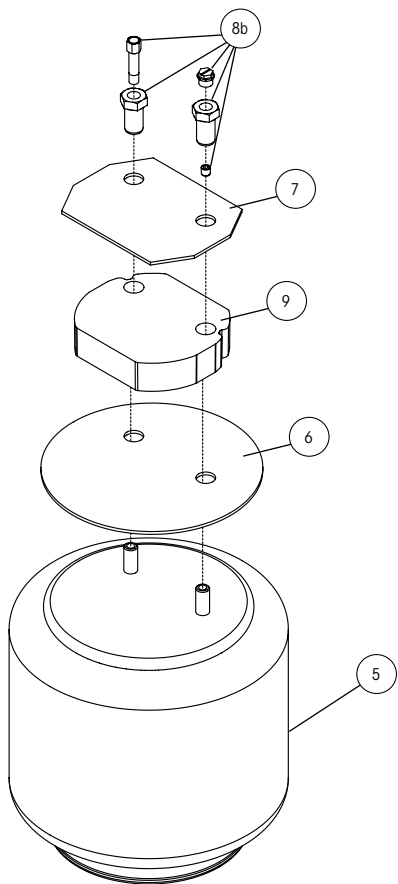
DATE: June 2019

REVISION: A





**Air Spring Mounting for 6.5" - 7.5"
Ride Heights; Limited Jounce**





ITEM	DESCRIPTION	PART NO.	QTY.	NOTE
1	AXLE / BEAM WELDMENT		1	Contact Hendrickson for assistance
2	FRAME BRACKET ¹		2	See L1266 Frame Bracket Parts List
3	WELD-ON C-CHANNEL	S-1631-19	1	
4	BOLT-ON C-CHANNEL KIT ²			Includes: channel, struts and hardware
	41.0" suspension beam center	S-31901-1	1	
	35.0" suspension beam center	S-31901-3	1	
5	AIR SPRING			
	23K			
	Standard dual combo stud	S-23720	2	5.5" & 6.5" ride heights
		S-23613	2	7.5" & 9.0" ride heights
	Rotated single combo stud	S-20413	2	5.5" - 9.0" ride heights
	25K			
	Standard dual combo stud	S-23721	2	5.5" & 6.5" ride heights
		S-23611	2	7.5" & 9.0" ride heights
	Rotated single combo stud	S-20414	2	5.5" - 9.0" ride heights
6	AIR SPRING FLEX PLATE			
	Weld-on			
	Standard dual combo stud	S-23294	2	5.5" - 6.5" ride heights; Standard travel & 6.5" - 7.5" limited jounce
	Rotated single combo stud	S-21209	2	5.5" - 9.0" ride height
	Limited jounce dual combo stud	S-23294	2	6.5" - 7.5" ride heights; Use with S-22510-2 air spring spacer only
	Bolt-on			
	Standard pattern	B-24813	2	5.5" & 6.5" ride heights; Standard travel
	Pattern #2	B-24812	2	5.5" & 6.5" ride heights; Standard travel
7	AIR SPRING MOUNTING PLATE	S-20905	2	Use with S-22510-2 air spring spacer only
8	AIR SPRING MOUNTING KIT			
	8a Standard travel			
	Standard dual combo stud	S-22619/2	2	5.5" - 9.0" ride height
	Rotated single combo stud	S-20033/2	2	5.5" - 9.0" ride height
	8b Limited jounce			
	Standard dual combo stud	S-22631/2	2	Use with S-22510-2 air spring spacer only
9	AIR SPRING SPACER	S-22510-2	2	6.5" - 7.5" ride heights; Limited jounce
10	ALIGNMENT COLLARS			
	10a Eccentric	S-20925	2	Alignment hole is off center
	10b Concentric	S-20924	2	Alignment hole is centered
11	QUIK-ALIGN® PIVOT BOLT KIT	S-24679	2	Includes: round head bolt, hardened washers & prevailing torque hex nut
12	TRI-FUNCTIONAL® II BUSHING KIT ³	S-24691	2	Includes: bushing, bushing tube spacers, round head bolt, prevailing torque hex nut, hardened washers and lube
13	BUSHING TUBE SPACER	S-21099	4	
14	BUSHING TUBE SPACER KIT	S-26369	2	Includes: round head bolt, hardened washers, prevailing torque hex nut and bushing tube spacers

1. Options exist based on frame attachment, frame bracket style, bolt hole pattern and coating. Contact Hendrickson for assistance or refer to L1266 Frame Bracket Parts List.

2. Bolt-on C-channel Kits are only optional for bolt-on frame brackets; Options exist for galvanized kits.

3. Bushing tool S-21307 is required to correctly rebush the suspension.

NOTE: Identification tag can be found on the inside of the curbside beam.



ITEM	DESCRIPTION	PART NO.	QTY.	NOTE
15	SHOCK ABSORBER			Reference L1287 for shock part numbers and shock straps
16	SHOCK BOLT KIT	S-24024	2	One (1) shock bolt kit is required per shock
17	LOWER SHOCK BOLT KIT (not shown)	S-23642	2	One (1) shock bolt kit is required per shock
18	U-BOLT KIT			
	12.25" Brakes	S-22894/4	4	Includes: (1) flattened U-bolt and hardware; axle spacer is needed with flattened U-bolt; For 12.25" brakes only
	16.50" Brakes	S-21140/4	4	Includes: (1) coiled U-bolt and hardware; For 16.5" brakes only
19	AXLE SPACER	S-20701	4	Must order with U-Bolt Kit (item #20); For 12.25" brakes only
20	BEAM ASSEMBLY			
	Roadside	S-24186-1	1	
	Curbside	S-24186-2	1	

Actual product performance may vary depending upon vehicle configuration, operation, service and other factors.

All applications must comply with applicable Hendrickson specifications and must be approved by the respective vehicle manufacturer with the vehicle in its original, as-built configuration. Contact Hendrickson for additional details regarding specifications, applications, capacities, and operation, service and maintenance instructions.

Call Hendrickson at 330.489.0045 or 866.RIDEAIR (743.3247) for additional information.



www.hendrickson-intl.com

TRAILER COMMERCIAL VEHICLE SYSTEMS

2070 Industrial Place SE
Canton, OH 44707-2641 USA
866.RIDEAIR (743.3247)
330.489.0045 • Fax 800.696.4416

Hendrickson Canada

250 Chrysler Drive, Unit #3
Brampton, ON Canada L6S 6B6
800.668.5360
905.789.1030 • Fax 905.789.1033

Hendrickson Mexicana

Circuito El Marqués Sur #29
Parque Industrial El Marqués
Pob. El Colorado, Municipio El Marqués,
Querétaro, México C.P. 76246
+52 (442) 296.3600 • Fax +52 (442) 296.3601