

# H PARTS LIST

## R™ Rear Suspension

LIT NO: SP-167

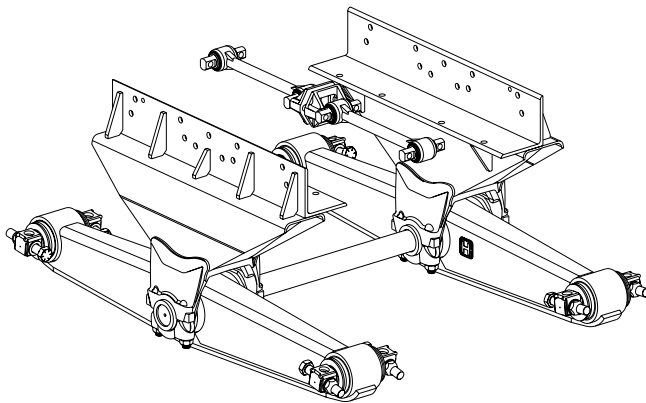
DATE: March 2021

REVISION: E

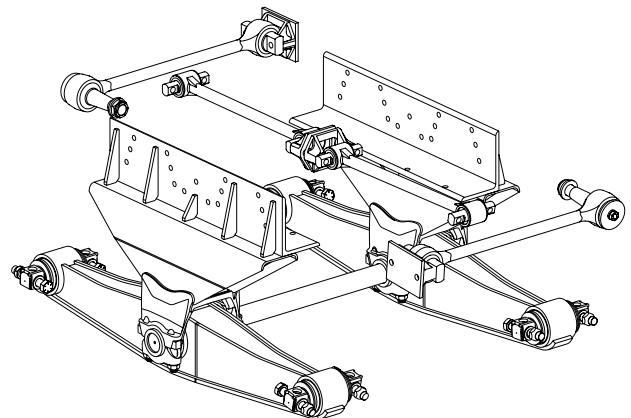
### CONTENTS

DESCRIPTION	PAGE	DESCRIPTION	PAGE
<b>PARTS LISTS</b>		Special Tools . . . . .	10
■ R 40K • 46K . . . . .	2	Notes . . . . .	11
■ R 48K • 52K . . . . .	4	<b>Selection Guides</b>	
■ R 65K . . . . .	6	■ Cross Tubes . . . . .	11
■ R 85K • 100K • 120K . . . . .	8	■ Corresponding Center Bushing End Plugs for Cross Tube Replacement . . . . .	11

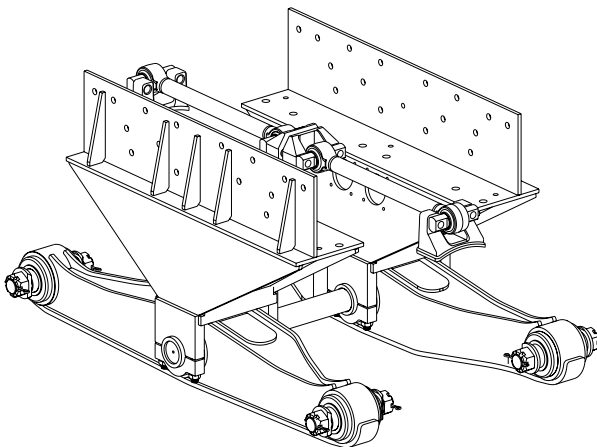
### R 40K • 46K



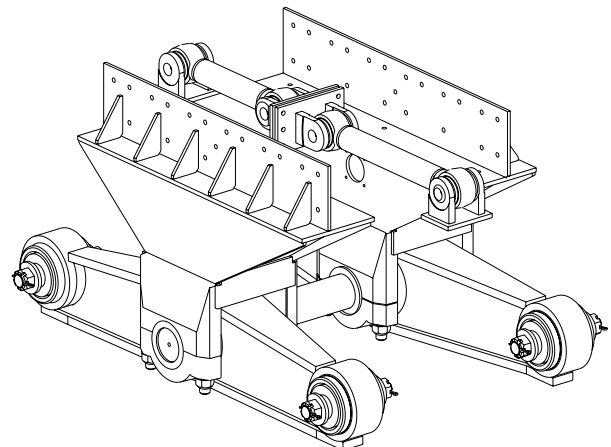
### R 48K • 52K

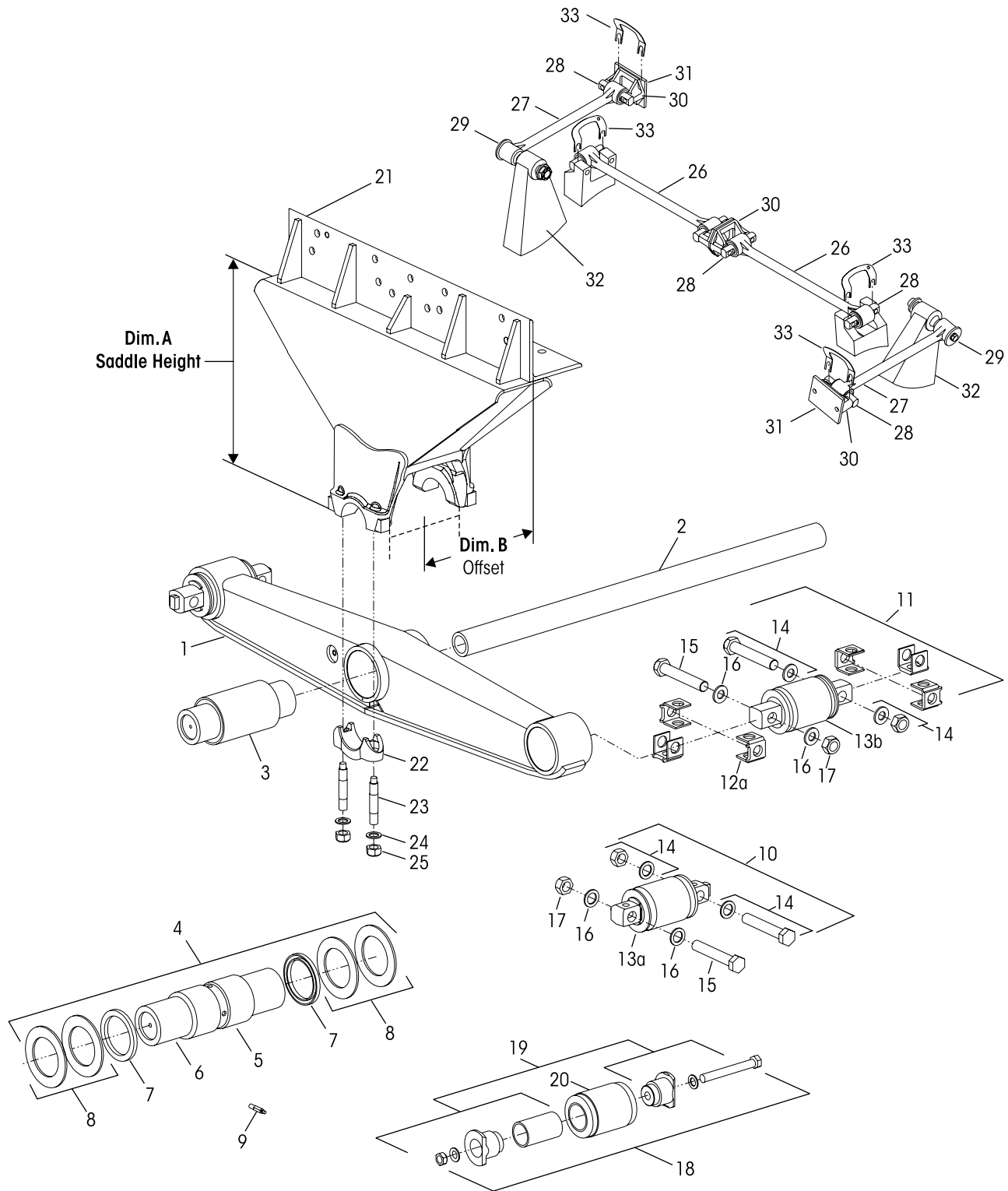


### R 65K



### R 85K • 100K • 120K



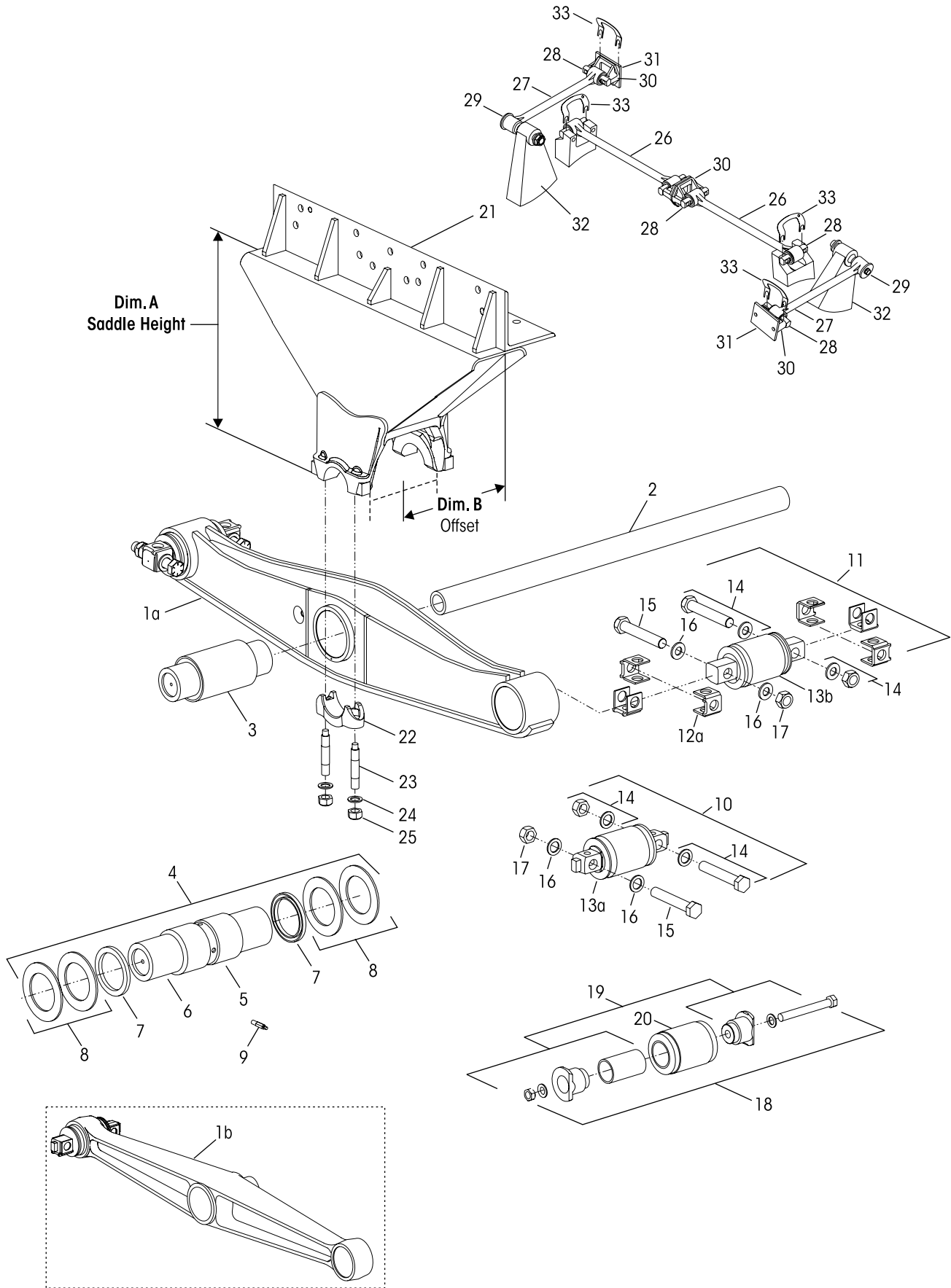




KEY NO.	PART NO.	DESCRIPTION	VEHICLE QTY.	KEY NO.	PART NO.	DESCRIPTION	VEHICLE QTY.
1		Equalizing Beam Assembly/ Equalizing Beams equipped with Rotatable Bar Pin End Bushings <i>See Selection Guide 45745-147</i>	2		34013-049L	R 40K, Includes Key Nos. 19a, 20	
					34013-073L	R 46K, Includes Key Nos. 19b, 20	
2		Cross Tube, <i>See Selection Guide on Page 11</i>	1	19		<b>Adapter w/o Bushing Service Kit, One Wheel End</b>	
3		Rubber Center Bushing, Requires Transverse Rods <i>See Center Bushing End Plug Selection Guide on Page 11</i>	2	a	45000-007L	R 40K	
	49400-000L	R 40K Welded End Plug		b	21140-034L	R 46K	
	49600-000L	R 40K w/Loose End Plug		20	45900-000L	Rubber End Bushing	4
	29483-005L	R 46K Optional for R 40K		21		Saddle Assembly, Includes Key Nos. 22-25 <i>See Chart Below</i>	2
	34013-097L	w/Loose End Plug, Optional for R 46K		22	58795-000	Saddle Cap	4
4	30437-000L	<b>Bronze Center Bushing Service Kit, Two Beams,</b> Includes Key Nos. 5-9		23	06696-000	7/8"-14 UNF Saddle Cap Stud	8
5	30240-002L	Bronze Center Bushing	2	24	22962-002	7/8" Hardened Washer	8
6	14685-000L	Beam Center Sleeve	2	25	04842-000	7/8"-14 UNF Saddle Cap Locknut	8
7	30334-000	Beam Center Seal	4	26		***One-piece Longitudinal Torque Rod Assembly, Straddle/Straddle, Specify Length in mm ULTRA ROD®, Includes Key No. 28	
8	32365-000	Thrust Washer	8		62000-XXX	Front	1
9	30087-000	Grease Fitting	As Req. 2		62001-XXX	Rear	1
		<b>Bar Pin End Bushing Kit, One Wheel End</b>			8240-00XX-XXX	****TRAAX ROD®, Replaces 72000-XXX and 72001-XXX	2
10	34013-087L	Non-Shim Type, Includes Key Nos. 13a, 14		27		****One-piece Transverse Torque Rod Assembly, Straddle/Taper, Specify Length in mm ULTRA ROD, Includes Key Nos. 28-29 ****TRAAX ROD, Replaces 72350-XXX ****TRAAX ROD, Replaces 92350-XXX	2
11	34013-088L	Shim Type, Includes Key Nos. 12a, 13b, 14			62350-XXX		
	34013-188L	Rotating Shim Type, (Not Shown) Includes Key Nos. 12a, 13c, 14			8244-0099-XXX		
					8233-0099-XXX		
12		Bar Pin Shim	8	28	47691-000L	Straddle Bushing	6
a	50131-000	0.25" / 0.12" Standard		29	64697-000L	Taper Bushing	2
b	50130-000	0.19" / 0.19" Optional				<b>Two-Piece Torque Rod Assembly with Bushings Service Kit</b>	
c	57026-000	0.375" Optional flat shim			60218-000	ULTRA ROD Straddle/Straddle	
13		**Bar Pin End Bushing	4		60215-000	ULTRA ROD Straddle/Taper	
a		Non-Shim Type			65781-000	ULTRA ROD PLUS Straddle/Taper	
b		Shim Type			65781-001	XTRB Straddle/Straddle	
c		Rotating, Shim Type (Not Shown)			65781-002	XTRB Straddle/Taper	
14	34013-104	<b>Bar Pin End Bushing Fastener Kit, One Wheel End,</b> Includes Key Nos. 15-17		30	22186-000	Torque Rod Bracket	4
15		**1"-8 UNC x 6" Hex Bolt	8	31	45045-003	Back-up Plate (for Torque Rod)	2
16		**1" Hardened Washer	16	32		*Transverse Rod Axle Bracket	2
17		**1"-8 UNC Locknut	8	33	49689-000L	Torque Rod Shim	As Req
18		<b>Rubber End Bushing and Adapter Service Kit, One Wheel End</b>		Not Shown	70867-001	P-80 Lubricant - 10 ml per Rubber Bushing	1

KEY NO. 21								
Saddle Assembly – R 40K • 46K								
Dim. A Saddle Height	Dim. B Offset	Part No.	Dim. A Saddle Height	Dim. B Offset	Part No.	Dim. A Saddle Height	Dim. B Offset	Part No.
12¾"	23 mm	50207-003	16½"	13.5 mm	50207-017	19"	30.2 mm	50207-032
15¾"	14.3 mm	50207-038		23 mm	50207-011	20½"	23 mm	50207-010
		50207-039		29.6 mm	◆50207-040			◆50207-016
	◆49197-024	14.3 mm	50207-023	23.8 mm	◆50207-037			
	50207-001		50207-034		50207-027			
	23 mm	50207-005	17.5 mm	50207-029	21½"	23 mm	50207-028	
		50207-024		23 mm	50207-002	22"	19.1 mm	◆50207-025
		◆50207-035	50207-006					
		50207-041	50207-020					
	23.8 mm	50207-041	17½"	30.2 mm	50207-008	50207-036		

◆ Part number no longer in production, contact Hendrickson Truck Parts for available options.

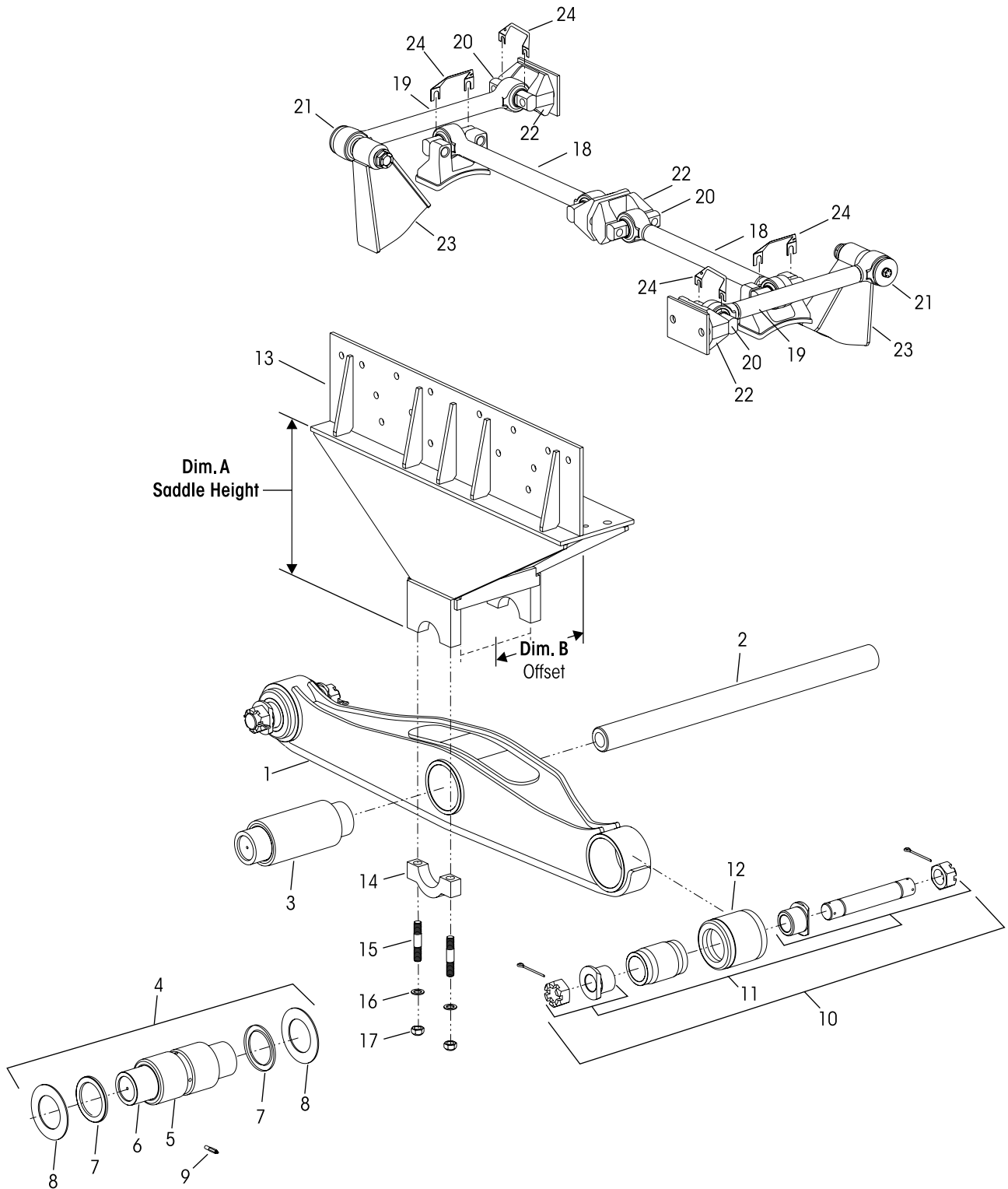




KEY NO.	PART NO.	DESCRIPTION	VEHICLE QTY.	KEY NO.	PART NO.	DESCRIPTION	VEHICLE QTY.
1		Equalizing Beam Assembly, <i>See Selection Guide 45745-147</i>	2	19		<b>End Bushing Adapter Kit, One Wheel End,</b>	
a		Fabricated Beam		a	21140-034L	R 48K • 52K, for 5¾" Bushing	
b		Cast Beam		b	21140-033L	R 52K, for 6" Bushing	
2		Cross Tube, <i>See selection guide on Page 11</i>	1	20		End Bushing	4
44643-XXX		R 48K, Specify Length		29878-001L		R 48K, 5¾" Length	
07622-XXX		R 52K, Specify Length		45407-000L		R 52K, 6" Length	
3		Rubber Center Bushing, Requires Transverse Rods 2 <i>See Center Bushing End Plug Selection Guide Page on 11</i>	2	21		Saddle Assembly, Includes Key Nos. 22-25 <i>See Chart Below</i>	2
29483-005L		Welded End Plug		22	58795-000	Saddle Cap	4
34013-097L		w/Loose End Plug		23	06696-000	⅞"-14 UNF Stud	8
4	30437-000L	<b>Bronze Center Bushing Kit, Two Beams,</b> Includes Key Nos. 5-9		24	22962-002	⅞" Hardened Washer	8
5	30240-002L	Bronze Center Bushing	2	25	04842-000	⅞"-14 UNF Locknut	8
6	14685-000L	Beam Center Sleeve	2	26		***One-piece Longitudinal Torque Rod Assembly, Straddle/Straddle, Specify Length in mm ULTRA ROD®, Includes Key No. 28	
7	30334-000	Beam Center Seal	4	62000-XXX		Front	1
8	32365-000	Thrust Washer	8	62001-XXX		Rear	1
9	30087-000	Grease Fitting	As Req. 2	8240-00XX-XXX		****TRAAX ROD®, Replaces 72000-XXX and 72001-XXX	2
10	34013-087L	<b>Bar Pin End Bushing Kit, One Wheel End,</b> Non-Shim Type, Includes Key Nos. 13a, 14		27		****One-piece Transverse Torque Rod Assembly, Straddle/Taper, Specify Length in mm ULTRA ROD, Includes Key Nos. 28-29	2
11	34013-088L	Shim Type, Includes Key Nos. 12a, 13b, 14		62350-XXX		ULTRA ROD, Includes Key Nos. 28-29	
34013-188L		Rotating Shim Type, (Not Shown) Includes Key Nos. 12a, 13c, 14		8244-0099-XXX		****TRAAX ROD, Replaces 72350-XXX	
12		Bar Pin Shim	8	8233-0099-XXX		****TRAAX ROD, Replaces 92350-XXX	
a	50131-000	0.25" / 0.12" Standard		28	47691-000L	Straddle Bushing	6
b	50130-000	0.19" / 0.19" Optional		29	64697-000L	Taper Bushing	2
c	57026-000	0.375" Optional flat shim				<b>Two-Piece Torque Rod Assembly with Bushings Service Kit</b>	
13		**Bar Pin End Bushing	4	60218-000		ULTRA ROD Straddle/Straddle	
a		Non-Shim Type		60215-000		ULTRA ROD Straddle/Taper	
b		Shim Type		65781-000		ULTRA ROD PLUS Straddle/Taper	
c		Rotating, Shim Type (Not Shown)		65781-001		XTRB Straddle/Straddle	
14	34013-104	<b>Bar Pin End Bushing Fastener Kit, One Wheel End,</b> Includes Key Nos. 15-17		65781-002		XTRB Straddle/Taper	
15		**1"-.8 UNC x 6" Hex Bolt	8	30	22186-000	Torque Rod Bracket	4
16		**1" Hardened Washer	16	31	45045-003	Back-up Plate (for Torque Rod)	2
17		**1"-.8 UNC Locknut	8	32		*Transverse Rod Axle Bracket	2
18		<b>End Bushing and Adapter Kit, One Wheel End,</b>		33	49689-000L	Torque Rod Shim	As Req.
34013-050L		R 48K, Includes Key Nos. 19a, 20		Not Shown	70867-001	P-80 Lubricant - 10 ml per Rubber Bushing	1
34013-051L		R 52K, Includes Key Nos. 19b, 20					

KEY NO. 21					
Saddle Assembly – R 48K • 52K					
Dim. A Saddle Height	Dim. B Offset	Part No.	Dim. A Saddle Height	Dim. B Offset	Part No.
12⅞"	23 mm	◆50210-003	15⅞"	23 mm	50210-001
15½"	23 mm	50210-006	16⅞"	23 mm	◆50210-005
		50210-008	17"	17.5 mm	50210-010
			17⅞"	23 mm	50210-002

◆ Part number no longer in production, contact Hendrickson Truck Parts for available options.





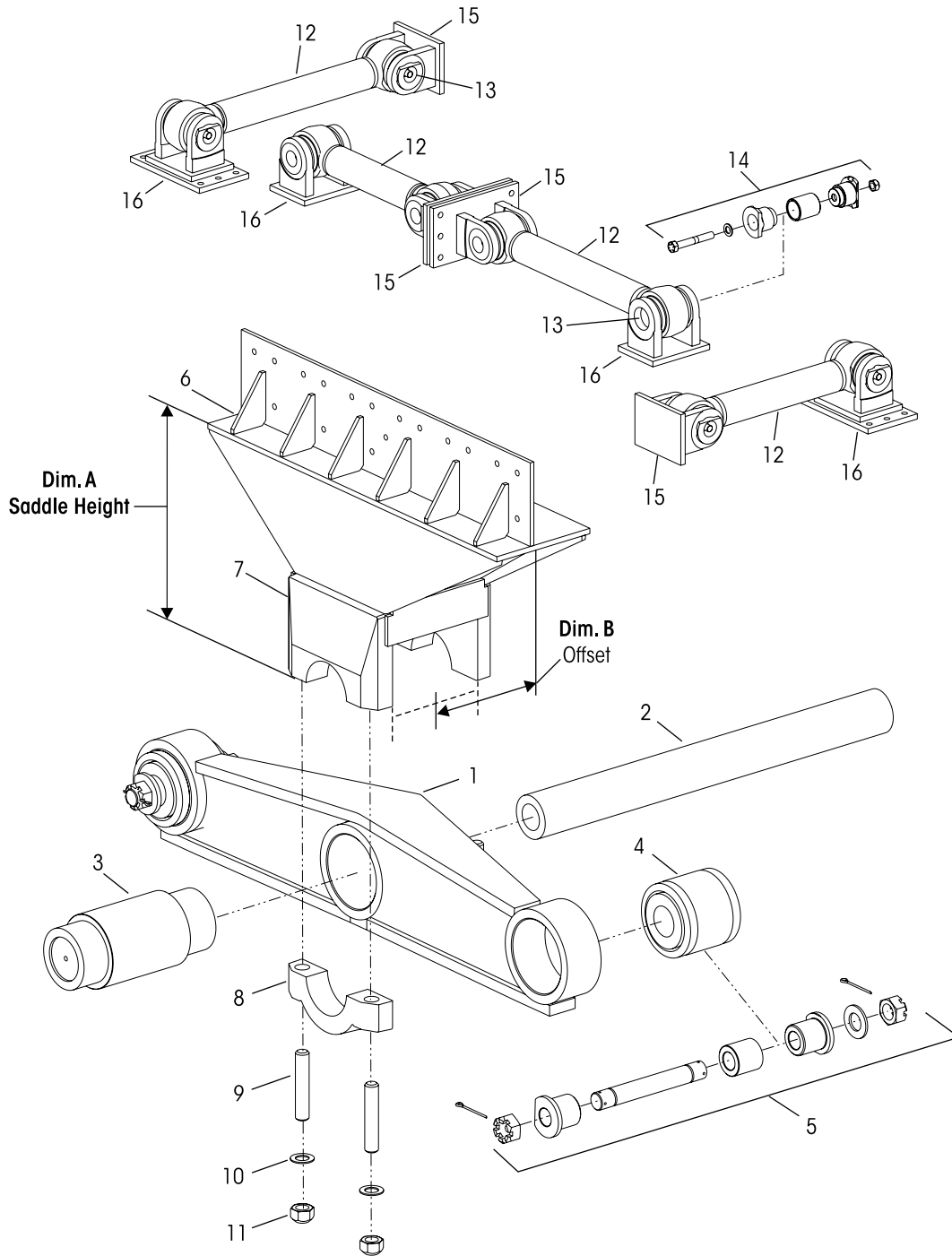
KEY NO.	PART NO.	DESCRIPTION	VEHICLE QTY.
1		Equalizing Beam Assembly <i>See Selection Guide 45745-147</i>	2
2		Cross Tube, <i>See Selection Guide on 11</i>	1
3	10366-000L	Rubber Center Bushing	2
4		<b>Bronze Center Bushing Kit</b> , Includes Key Nos. 5-9	
	45374-000	Two Beams	
	34013-055L	One Beam	
5	30240-005	Bronze Center Bushing	2
6	25102-000	Beam Center Sleeve	2
7	31577-000	Beam Center Seal	4
8	45261-000	Thrust Washer	4
9	30087-000	Grease Fitting	As Req. 2
10		<b>Rubber End Bushing and Adapter Service Kit, Tandem Set</b>	
	34013-052L	for 6" Bushing, Includes Key Nos. 11a, 12a	
	34013-110L	for 7" Bushing, Includes Key Nos. 11b, 12b	
11		<b>End Bushing Adapter Kit, One Wheel End</b>	
a	21140-007	6" Length	
b	21140-004L	7" Length	
12		End Bushing	4
a	10363-000L	6" Length	
b	10364-000L	7" Length	
13		Saddle Assembly, Includes Key Nos. 14-17 <i>See Chart Below</i>	2

KEY NO.	PART NO.	DESCRIPTION	VEHICLE QTY.
14	31205-005	Saddle Cap	4
15	06696-000	7/8"-14 UNF Stud	8
16	22962-002	7/8" Hardened Washer	8
17	04842-000	7/8"-14 UNF Locknut	8
18		***One-piece Longitudinal Torque Rod Assembly, 2 Straddle/Straddle, Specify Length in mm 8232-0000-XXX ****TRAAX ROD®, Replaces 72100-XXX	2
19		****One-piece Transverse Torque Rod Assembly, 2 Straddle/Taper, Specify Length in mm 72850-XXX 92950-XXX ULTRA ROD PLUS, Includes Key Nos. 20a – 21a XTRB, Includes Key Nos. 20b – 21b	2
20		Straddle Bushing	6
a	64400-003L	ULTRA ROD PLUS	
b	66649-003L	XTRB	
21		Taper Bushing	2
a	64400-006L	ULTRA ROD PLUS	
b	66649-004L	XTRB	
22	46015-000	Torque Rod Bracket	4
23		*Transverse Torque Rod Axle Bracket	2
24	67779-002	Torque Rod Shim	As Req.
Not Shown	70867-001	P-80 Lubricant - 10 ml per Rubber Bushing	1

KEY NO. 13

R 65K Saddle Assembly

Dim. A Saddle Height	Dim. B Offset	Part No.	Dim. A Saddle Height	Dim. B Offset	Part No.
18 <sup>15</sup> / <sub>16</sub> "	50.8 mm	30950-103	20 <sup>1</sup> / <sub>2</sub> "	47.6 mm	30950-088
19"	50.8 mm	30950-047	20 <sup>5</sup> / <sub>16</sub> "	50.8 mm	30950-097
	58.7 mm	30950-094	22 <sup>1</sup> / <sub>16</sub> "	55.6 mm	30950-081
20 <sup>1</sup> / <sub>4</sub> "	31.8 mm	30950-080	23"	58.7 mm	30950-095
	60 mm	30950-092			

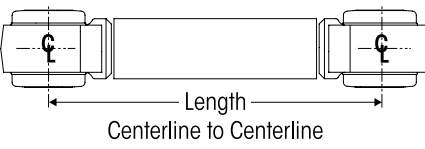






KEY NO.	PART NO.	DESCRIPTION	VEHICLE QTY.	KEY NO.	PART NO.	DESCRIPTION	VEHICLE QTY.	
1		Equalizing Beam Assembly Includes Key Nos. 3, 4 • R 85K	2	7		Saddle Lower Plate Assembly, Includes Key Nos. 8-11 R 85K	2	
	07500-620	58" Length			18750-001	R 85K		
	07500-604	60" Length			49237-000	R 100K • 120K		
	07500-180	64" Length		8		Saddle Cap R 85K	4	
	07500-624	72" Length, <i>Replaces 07500-068</i>			15785-000	R 85K		
	07500-432	75" Length			47552-000	R 100K • 120K		
		• R 100K • 120K		9		Saddle Cap Stud R 85K - 1"-14 UNS	8	
	07500-579	64" Length			10948-000	R 85K - 1"-14 UNS		
	07500-615	80" Length			13411-000	R 100K • 120K - 1½"-12 UNF		
2		Cross Tube, <i>See Selection Guide on 11</i>	1	10		Hardened Washer R 85K - 1"	8	
3		Rubber Center Bushing, One per Beam	2		22962-006	R 85K - 1"		
	15464-000	R 85K			22962-030	R 100K • 120K - 1½"		
	14110-000	R 100K • 120K		11		Locknut R 85K - 1"-14 UNS	8	
4		End Bushing	4		08017-000	R 85K - 1"-14 UNS		
	10363-000L	6" Length			47042-000	R 100K • 120K - 1½"-12 UNF		
	10364-000L	7" Length		12		13422-XXX	****Torque Rod Assembly, <i>See Selection Guide below</i>	4
	15424-000	7¾" Length		13		06966-000	Torque Rod Bushing	8
5		<b>End Bushing Adapter Fastener Kit, One Wheel End</b>		14		45000-011L	<b>Torque Rod End Adapter Kit</b>	8
	21140-026	R 85K - w/Adapter Tube		15		65133-000	Torque Rod Bracket	4
	21140-043	R 85K - w/Special Nut		16			Torque Rod Axle Bracket *R 85K • R 100K	4
	21140-024	R 100K • 120K - w/Adapter Tube			47924-000	R 120K		
6	30950-XXX	Saddle Assembly, Contact Hendrickson Truck Parts for Part Number	2					

Key No. 12	Torque Rod Assembly R 85K • 100K • 120K					
	Length	Part No.	Length	Part No.	Length	Part No.
	16¼"	13422-019	23½"	13422-044	28"	13422-070
	18¾"	13422-060	23¾"	13422-014	28½"	13422-024
	19½"	13422-036	24"	13422-027	29¼"	13422-046
	20"	13422-013	24⅙"	13422-052	29½"	13422-071
	20½"	13422-067	24½"	13422-017	30"	13422-009
	21"	13422-056	24¾"	13422-055	30¾"	13422-018
	21⅞"	13422-022	25"	13422-031	31"	13422-025
	21¼"	13422-064	25½"	13422-023	31¾"	13422-020
	21⅙"	◆13422-053	26"	13422-005	32"	13422-012
	21½"	13422-039	26½"	13422-002	32½"	13422-004
	21¾"	13422-068	26¾"	13422-010	33"	13422-003
	22"	13422-029	27"	13422-033	35"	13422-008
	22½"	13422-026	27¼"	13422-011	35⅙"	13422-061
	22¾"	13422-069	27½"	13422-040	36"	13422-001
	23"	13422-063	27¾"	13422-045	40"	13422-037



◆ No longer available, replaced by 13422-064



■ Special Tools

**BAR PIN STYLE END BUSHING TOOLS**

**INSTALLATION TOOL**

Hendrickson Part No. 66086-103

OTC Part No. 1757

Visit [otctools.com](http://otctools.com)



Use with the equalizing beam removed from the truck, and in conjunction with OTC No. 51100 press plate and a 100-ton hydraulic shop press.

**REMOVAL TOOLS**

Hendrickson Part No. 66086-104

OTC PART NO. 206457

Visit [otctools.com](http://otctools.com)



Hendrickson Part No. 66086-105

OTC PART NO. 302030

Visit [otctools.com](http://otctools.com)



**ADAPTER STYLE END BUSHING TOOL SET • RUBBER CENTER BUSHING**



**28K-52K lb. Capacity Bushings**

Hendrickson Part No. 66086-102

OTC PART NO. 1764

Visit [otctools.com](http://otctools.com)

Use with the equalizing beam removed from the truck and a 100-ton or larger hydraulic shop press.



**65K-85K lb. Capacity Bushings**

Hendrickson Part No. 66086-101

OTC PART NO. 1763

VISIT [OTCTOOLS.COM](http://OTCTOOLS.COM)

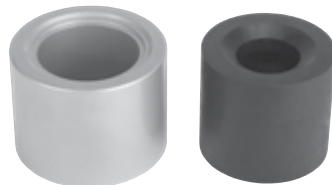
**RUBBER CENTER BUSHING TOOLS**

**40K lb. Capacity Bushings**

Hendrickson Part No. 66086-100

OTC PART NO. 1746

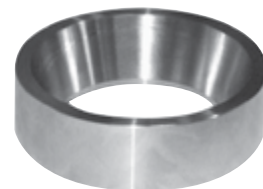
Visit [otctools.com](http://otctools.com)



**ULTRA ROD BUSHING FUNNEL TOOLS**

ULTRA ROD – Hendrickson Part No. 66086-001L

ULTRA ROD PLUS – Hendrickson Part No. 66086-000L





■ Selection Guide

KEY NO. 2							
Cross Tubes							
R 40K • 46K • 48K		R 52K		R 65K • 85K		R 100K • 120K	
Length	Part Number	Length	Part Number	Length	Part Number	Length	Part Number
33 <sup>3</sup> / <sub>8</sub> "	44643-027	46"	07622-003	34 <sup>3</sup> / <sub>4</sub> "	10397-015	44 <sup>1</sup> / <sub>2</sub> "	13504-004
40 <sup>3</sup> / <sub>4</sub> "	44643-011	53"	07622-018	40"	10397-018	46"	13504-008
42"	44643-008	64"	07622-031	40 <sup>3</sup> / <sub>4</sub> "	10397-014	46 <sup>3</sup> / <sub>4</sub> "	13504-002
44 <sup>7</sup> / <sub>8</sub> "	44643-009	68"	07622-014	41"	10397-019	49"	13504-001
46"	44643-003			41 <sup>3</sup> / <sub>4</sub> "	10397-009	50 <sup>3</sup> / <sub>4</sub> "	13504-009
47"	44643-002			42"	10397-001	53"	13504-012
48"	44643-001			42 <sup>1</sup> / <sub>2</sub> "	10397-021	54 <sup>3</sup> / <sub>4</sub> "	13504-006
49 <sup>1</sup> / <sub>4</sub> "	44643-024			43 <sup>1</sup> / <sub>4</sub> "	10397-017	56"	13504-013
51"	44643-015			44 <sup>3</sup> / <sub>4</sub> "	10397-002	59"	13504-005
53"	44643-018			46"	10397-010	60 <sup>1</sup> / <sub>4</sub> "	13504-003
54 <sup>1</sup> / <sub>2</sub> "	44643-017			46 <sup>1</sup> / <sub>2</sub> "	10397-020	62 <sup>1</sup> / <sub>4</sub> "	13504-011
57"	44643-010			47 <sup>1</sup> / <sub>2</sub> "	10397-027		
64"	44643-028			50"	10397-013		
68"	44643-014			51 <sup>1</sup> / <sub>4</sub> "	10397-003		
77"	44643-029			52 <sup>3</sup> / <sub>4</sub> "	10397-006		
				54"	10397-025		
				56 <sup>1</sup> / <sub>2</sub> "	10397-016		
				61 <sup>1</sup> / <sub>4</sub> "	10397-008		
				62 <sup>3</sup> / <sub>4</sub> "	10397-031		
				67 <sup>1</sup> / <sub>2</sub> "	10397-004		
				75 <sup>3</sup> / <sub>4</sub> "	10397-029		

KEY NO. 3, Pages 3 and 5				
♦Corresponding Center Bushing End Plugs for Cross Tube Replacement – 40K through 52K Only				
	Rubber Center Bushing Part Number	End Plug Part Number	Beam Center Sleeve Bushing Part Number	End Plug Part Number
40K • 46K	49400-000L • 49600-000L	22281-000	14685-000L	57263-000
40K • 46K • 48K • 52K	29483-005L • 34013-097L			
♦ Hendrickson recommends for higher capacity walking beam suspensions removal of the equalizing beam to replace the cross tube. Refer to Hendrickson publication No. 17730-190 for more information.				

- NOTE:** \* Not supplied by Hendrickson, used for reference only. Hendrickson is not responsible for components supplied by the vehicle manufacturer. For assistance with maintenance and rebuild instructions on these components see vehicle manufacturer.
- \*\* Item included in kit/assembly only, part not sold separately.
- \*\*\* Hendrickson's Part Number is stamped on the torque rod for identification. Be sure to include the suffix number when ordering, this number indicates rod length. Hendrickson's two-piece ULTRA ROD • ULTRA ROD PLUS can be used to create the desired length, refer to Hendrickson Lit. No. 45745-148.
- \*\*\*\* Transverse torque rods are mandatory for the R rear suspension regardless of axle spacing, refer to Hendrickson Literature No. 59310-004 and 59310-058.
- \*\*\*\*\* Longitudinal and transverse TRAAX ROD bushings are non-serviceable, the entire torque rod assembly requires replacement. Visit the TRAAX ROD website [www.traaxrods.com](http://www.traaxrods.com) for more information.

This is a general parts list to provide directional information. Components may vary by model. Questions in regards to parts, contact Hendrickson Truck Parts at 1.866.755.5968 (Toll-free U.S. and Canada), 630.910.2800 (Outside U.S. and Canada) or e-mail: [truckparts@hendrickson-intl.com](mailto:truckparts@hendrickson-intl.com).

Actual product performance may vary depending upon vehicle configuration, operation, service and other factors.

All applications must comply with applicable Hendrickson specifications and must be approved by the respective vehicle manufacturer with the vehicle in its original, as-built configuration.

Contact Hendrickson for additional details regarding specifications, applications, capacities, and operation, service and maintenance instructions.

*Call Hendrickson at **1.866.755.5968** (toll-free) or **1.630.910.2800** for additional information.*



[www.hendrickson-intl.com](http://www.hendrickson-intl.com)

SP-167 Rev E 03-21

© 2004 – 2021 Hendrickson USA, L.L.C. All Rights Reserved. All trademarks shown are owned by Hendrickson USA, L.L.C., or one of the affiliates, in one or more countries.

Information contained in this literature was accurate at the time of publication. Product changes may have been made after the copyright date that are not reflected.

**TRUCK COMMERCIAL VEHICLE SYSTEMS**

800 South Frontage Road

Woodridge, IL 60517-4904 USA

1.866.755.5968 (Toll-free U.S. and Canada)

1.630.910.2800 (Outside U.S. and Canada)

Fax 1.630.910.2899

Printed in United States of America