

# **H** PARTS LIST

## PRIMAAX<sup>®</sup> EX Rear Suspension for Mack Heavy Dump Truck (HDT) Vehicles

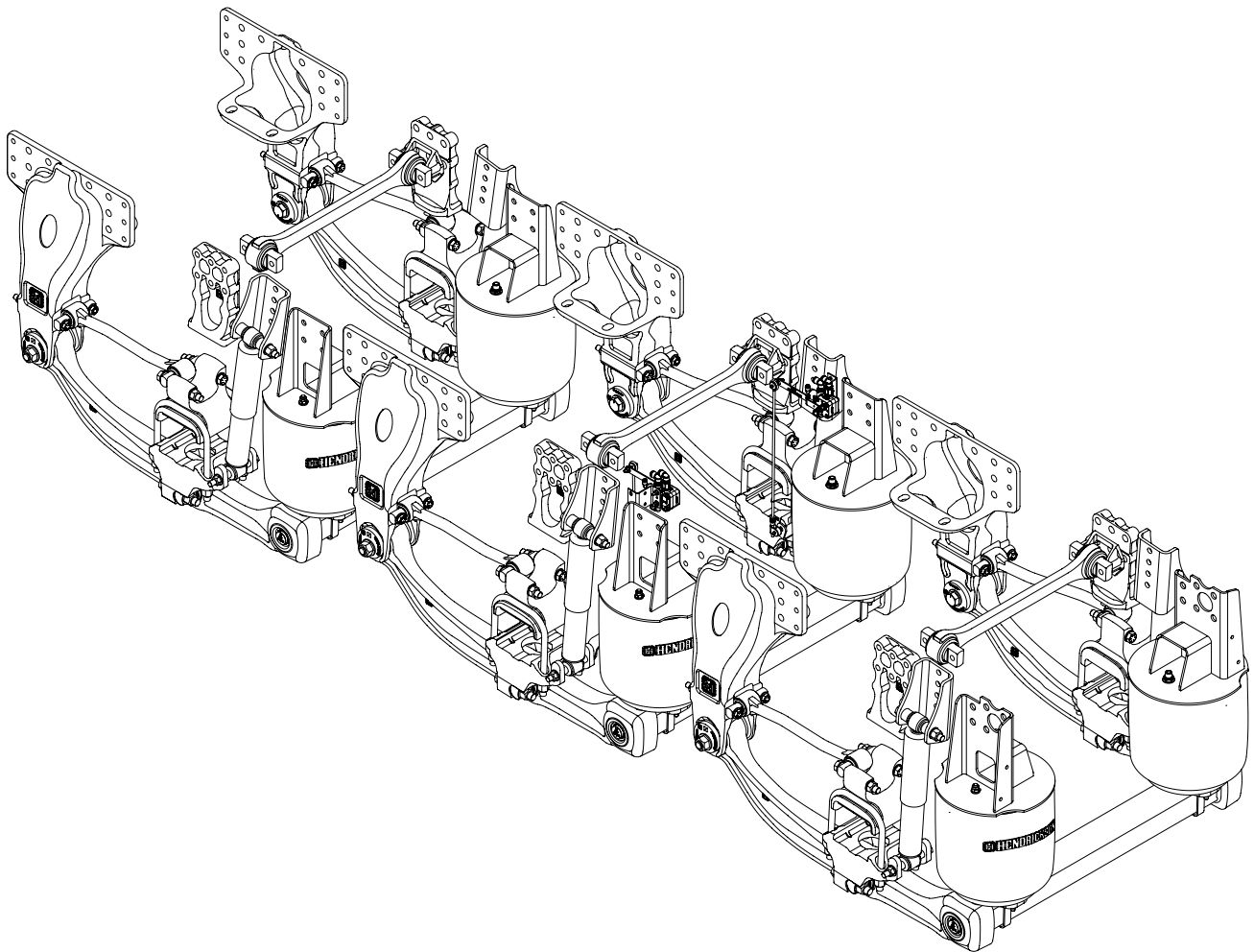
LIT NO: SP-329

DATE: June 2020

REVISION: A

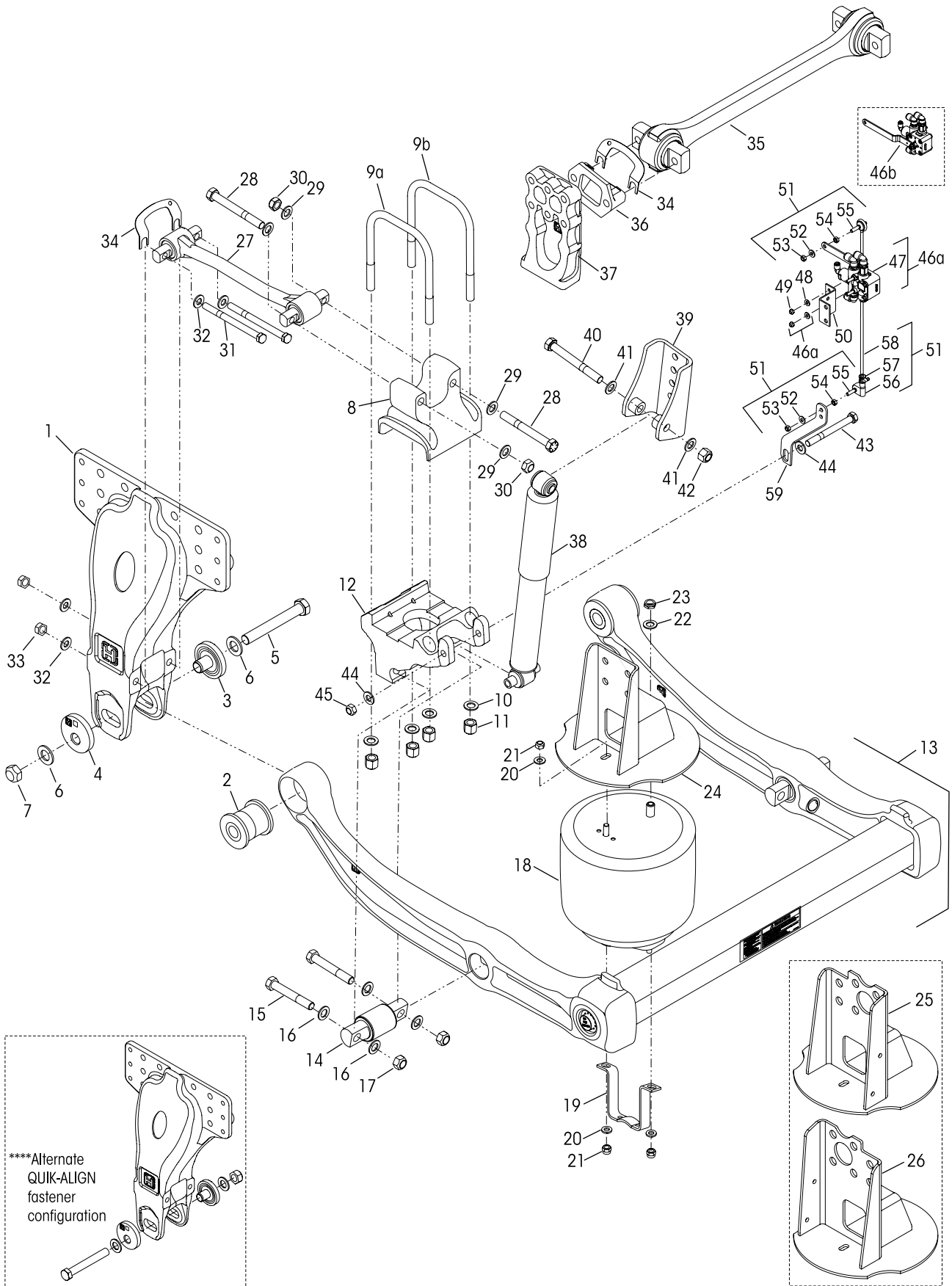
### CONTENTS

| DESCRIPTION               | PAGE |
|---------------------------|------|
| Parts List . . . . .      | 2    |
| Cross Reference . . . . . | 4    |
| Special Tools . . . . .   | 6    |





15½" Ride Height





| KEY NO. | PART NO.  | DESCRIPTION   | VEHICLE<br>*QTY. | KEY NO. | PART NO.   | DESCRIPTION  | VEHICLE<br>*QTY. |
|---------|-----------|---|------------------|---------|------------|--|------------------|
| 1       | 80735-001 | Frame Hanger – CARC Tan 686A  | 6                | 27      |            | ***Longitudinal Torque Rod Assembly,<br>See Table 1 on Page 4                |                  |
|         |           | <b>QUIK-ALIGN® Pivot Bushing Service Kit,</b><br>Includes Keys Nos. 2-7, 60     |                  |         |            | <b>Longitudinal Torque Rod Fastener Service Kits</b>                         |                  |
|         | 60961-720 | One Wheel End   |                  |         | 49176-024  | • To Top Pad<br>Axle Set, Includes Key Nos. 28-30                            |                  |
|         | 60632-020 | Axle Set  |                  |         | 58821-021  | One Wheel End, Includes Key Nos. 28-30                                       |                  |
|         |           | <b>QUIK-ALIGN Collar Service Kit,</b><br>Includes Keys Nos. 3-7                 |                  |         | 49176-032  | • To Frame Hanger<br>Axle Set, Includes Key Nos. 31-33                       |                  |
|         | 60632-019 | One Wheel End   |                  |         | 58821-027  | One Wheel End, Includes Key Nos. 31-33                                       |                  |
|         | 60632-021 | Axle Set  |                  |         |            | • To Top Pad and Frame Hanger  |                  |
|         | 60632-018 | <b>QUIK-ALIGN Fastener Service Kit,</b> One Wheel End<br>Includes Keys Nos. 5-7 |                  |         | 49176-031  | Axle Set, Includes Key Nos. 28-33  |                  |
| 2       | 70425-001 | QUIK-ALIGN Pivot Bushing  | 6                | 28      | 21867-007  | ¾"-16 UNF x 6" Hex Bolt  | 12               |
| 3       | 64633-000 | QUIK-ALIGN Concentric Collar  | 6                | 29      | 22962-001  | ¾" Flat Washer   | 24               |
| 4       | 64632-000 | QUIK-ALIGN Eccentric Collar   | 6                | 30      | 30191-000  | ¾"-16 UNF Locknut  | 12               |
| 5       | 68217-000 | 1"-14 UNF-2A x 7½" H-Coat Hex Bolt  | 6                | 31      | 32043-016  | ⅝"-11 UNC-2B x 8" Hex Bolt   | 12               |
| 6       | 68232-000 | 1" H-Coat Flat Washer   | 12               | 32      | 22962-004  | ⅝" Flat Washer   | 24               |
| 7       | 68218-000 | 1"-14 UNF-2B H-Coat Locknut   | 6                | 33      | 47764-000  | ⅝"-11 UNC-2A Locknut   | 12               |
| 8       | 80731-001 | Top Pad – CARC Tan 686A   | 6                | 34      | 49689-000  | Shim   | As Req.          |
|         |           | <b>U-bolt Service Kit,</b> Includes Key Nos. 9a-9b, 10-11                       |                  | 35      | 80738-001  | ***Transverse TRAAX ROD™ – CARC Tan 686A                                     | 3                |
|         | 48718-120 | One Wheel End   |                  | 36      | 80746-001  | Transverse Torque Rod Frame Bracket<br>CARC Tan 686A                         | 3                |
|         | 48718-117 | Axle Set  |                  | 37      | 80742-001  | Axle Stop, Frame Mounted – CARC Tan 686A                                     | 6                |
| 9       |           | ¾"-16 UNF-2A Square U-bolt  | 12               | 38      | 80733-001L | Shock Absorber – CARC Tan 686A   | 6                |
| a       | 59367-007 | 10", Outboard   |                  | 39      | 80743-001  | Upper Shock Frame Bracket – CARC Tan 686A                                    | 6                |
| b       | 59367-008 | 10½", Inboard   |                  |         | 50754-064  | <b>Single Shock Absorber Fastener Service Kit</b><br>Includes Key Nos. 40-45 |                  |
| 10      | 22962-001 | ¾" Flat Washer  | 12               | 40      | 50764-018  | ¾"-10 UNC-2A x 6½" Hex Bolt  | 6                |
| 11      | 49685-000 | ¾"-16 UNF-2B U-bolt Locknut   | 12               | 41      | 22962-001  | ¾" Flat Washer   | 12               |
| 12      | 80732-001 | Bottom Cap – CARC Tan 686A  | 6                | 42      | 49842-000  | ¾"-10 UNC-2B Locknut   | 6                |
| 13      | 80863-001 | U-Beam Assembly – CARC Tan 686A,<br>Includes Key Nos. 2, 14                     | 3                | 43      | 32043-007  | ⅝"-1 UNC-2A x 7" Lower Shock Bolt  | 6                |
|         |           | <b>D-pin Bushing Service Kits</b>   |                  | 44      | 22962-004  | ⅝" Flat Washer   | 12               |
|         | 34013-114 | Single, Includes Key Nos. 14-17   |                  | 45      | 47764-000  | ⅝"-11 UNC-2B Locknut   | 6                |
|         | 56659-010 | Fasteners Only, Axle Set, Includes Key Nos. 15-17                               |                  | 46      |            | Height Control Valve Assembly, Includes Key<br>Nos. 47-49                    | 2                |
| 14      | 65381-000 | D-pin Bushing   | 6                | a       | 69031-004  | Left Side Assembly (Drivers Side)  |                  |
| 15      | 30418-011 | ⅞"-14 UNF x 5" Bolt   | 12               | b       | 69031-005  | Right Side Assembly (Passenger Side)   |                  |
| 16      | 22962-007 | ⅞" Flat Washer  | 24               | 47      |            | **Height Control Valve   | 2                |
| 17      | 29248-000 | ⅞"-14 UNF Locknut   | 12               | 48      |            | **¼" Flat Washer   | 4                |
| 18      | 67044-002 | Air Spring  | 6                | 49      |            | **¼"-20 UNC Locknut  | 4                |
| 19      | 80734-001 | Lower Air Spring Mounting Bracket<br>CARC Tan 686A                              | 6                | 50      | 80748-001  | HCV Mounting Bracket – CARC Tan 686A   |                  |
|         |           | <b>Air Spring Fastener Service Kit,</b> Upper/Lower,<br>Includes Key Nos. 20-23 |                  | 51      | 58994-062  | HCV Linkage Assembly, Includes Key Nos. 52-58                                | 2                |
|         | 49177-023 | One Wheel End   |                  | 52      | 22962-029  | ⅝" Flat Washer   | 4                |
|         | 49177-003 | Axle Set  |                  | 53      | 59016-000  | ⅝"-18 UNC-2B Locknut   | 4                |
| 20      | 22962-014 | ½" Flat Washer  | 18               | 54      | 17491-011  | ⅝"-18 UNC-2B Nut   | 4                |
| 21      | 17700-010 | ½"-13 UNC Locknut   | 18               | 55      | 59169-000  | ⅝"-18 UNC Mounting Stud  | 4                |
| 22      | 22962-001 | ¾" Flat Washer  | 6                | 56      | 58987-000  | Valve Arm Joint  | 2                |
| 23      | 17700-031 | ¾"-16 UNF Locknut   | 6                | 57      | 58969-000  | Valve Arm Clamp  | 2                |
| 24      | 80730-001 | Front Upper Air Spring Bracket – CARC Tan 686A                                  | 4                | 58      | 58993-010  | HCV Extension Rod  | 2                |
|         |           | Rear Upper Air Spring Bracket – CARC Tan 686A                                   |                  | 59      | 80749-001  | HCV Linkage Bracket – CARC Tan 686A  | 2                |
| 25      | 91286-101 | Left Hand   | 1                | 60      | 70867-001  | P-80 Lubricant 10 ml (Not Shown)   | per Bushing 1    |
| 26      | 91286-201 | Right Hand  | 1                |         |            |  |                  |

**NOTES:** \* Quantities specified are for tridem suspension. Quantities of service kit components may vary from amount shown in lists.

\*\* Item included in kit/assembly only, part not sold separately.

\*\*\* Longitudinal and transverse torque rod bushings are not serviceable, replacement requires complete torque rod assembly with bushings.

\*\*\*\* Alternate configuration of the QUIK-ALIGN fasteners shown in exploded view. The locknuts located inboard will allow additional clearance for wider tires or tires with chains. Tightening is still required ONLY on the locknut.



| TABLE 1            |                | Key No. 27 | ◆ CARC Tan 686A – Longitudinal Torque Rod Part Nos. |                             |
|--------------------|----------------|------------|---|-----------------------------|
| Rear Axle Location | ◆◆Pinion Angle |            | Left Hand (Drivers Side)                            | Right Hand (Passenger Side) |
| Front              | 0°             |            | 80737-460A  | 80737-460B                  |
| Mid                | 2°             |            | 80737-475A  | 80737-475B                  |
| Rear               | 3°             |            | 80737-480A  | 80737-480B                  |

◆ Longitudinal torque rod bushings are non-serviceable, the entire torque rod assembly requires replacement.  
 ◆◆ Measured with the QUIK-ALIGN set at neutral position (12 O'Clock).

## ■ CROSS REFERENCE

| HENDRICKSON<br>PART NO. | MACK<br>PART NO. | DESCRIPTION   |
|-------------------------|------------------|---|
| 17491-011               | 23490430         | 5/16"-18 UNC-2B Nut                                       |
| 17700-010               | 20760820         | 1/2"-13 UNC Locknut                                       |
| 17700-031               | 23490433         | 3/4"-16 UNF Locknut                                       |
| 21867-007               | 23490441         | 3/4"-16 UNF x 6" Hex Bolt                                 |
| 22962-001               | 25092158         | 3/4" Flat Washer  |
| 22962-004               | 25173404         | 3/4" Flat Washer  |
| 22962-007               | 23490435         | 7/8" Flat Washer  |
| 22962-014               | 23490436         | 1/2" Flat Washer  |
| 22962-028               | 23490437         | 1/4" Flat Washer  |
| 22962-029               | 23490438         | 5/16" Flat Washer   |
| 29248-000               | 85109234         | 7/8"-14 UNF Locknut                                       |
| 30191-000               | 23490440         | 3/4"-16 UNF Locknut                                       |
| 30418-011               | 23490443         | 7/8"-14 UNF x 5" Bolt                                     |
| 32043-007               | 23490444         | 3/4"-1 UNC-2A x 7" Lower Shock Bolt                       |
| 32043-016               | 23490446         | 3/4"-11 UNC-2B x 8" Hex Bolt                              |
| 47764-000               | 25157616         | 3/4"-11 UNC-2A Locknut                                    |
| 49685-000               | 20755348         | 3/4"-16 UNF-2B U-bolt Locknut                             |
| 49689-000               | 24424092         | Shim  |
| 49842-000               | 25153574         | 3/4"-10 UNC-2B Locknut                                    |
| 49983-000               | 23490445         | 1/4"-20 UNC Locknut                                       |
| 50764-018               | 23490447         | 3/4"-10 UNC-2A x 6 1/2" Hex Bolt                          |
| 58969-000               | 23481879         | Valve Arm Clamp   |
| 58987-000               | 23482698         | Valve Arm Joint   |
| 58993-010               | 23482710         | HCV Extension Rod   |
| 58994-062               |                  | HCV Linkage Assembly                                      |
| 59016-000               | 23490448         | 5/16"-18 UNC-2B Lock Nut                                  |
| 59169-000               | 23490449         | 5/16"-18 UNC Mounting Stud                                |
| 59367-007               | 23490450         | 3/4"-16 UNF-2A Square U-bolt 10", Outboard                |
| 59367-008               | 23490451         | 3/4"-16 UNF-2A Square U-bolt 10 1/2", Inboard             |
| 60501-005               | 3975547          | Height Control Valve                                      |
| 64632-000               | 20755337         | QUIK-ALIGN Eccentric Collar                               |
| 64633-000               | 20755339         | QUIK-ALIGN Concentric Collar                              |
| 65381-000               |                  | D-pin Bushing   |
| 67044-002               | 23482799         | Air Spring  |
| 68217-000               | 21469179         | 1"-14 UNF-2A x 7 1/2" H-coat Hex Bolt                     |
| 68218-000               | 21469181         | 1"-14 UNF-2B H-coat Locknut                               |
| 68232-000               | 21469187         | 1" H-coat Flat Washer                                     |
| 69031-004               |                  | Left Hand Height Control Valve Assembly (Drivers Side)    |
| 69031-005               |                  | Right Hand Height Control Valve Assembly (Passenger Side) |
| 70425-001               |                  | QUIK-ALIGN Pivot Bushing                                  |
| 70867-001               |                  | P80 Lubricant 10 ml (Not Shown)                           |



| <b>HENDRICKSON<br/>PART NO.</b> | <b>MACK<br/>PART NO.</b> | <b>DESCRIPTION</b>                                     |
|---------------------------------|--------------------------|--|
| 80730-001                       | 23482857                 | Front Upper Air Spring Bracket CARC Tan 686A           |
| 80731-001                       |                          | Top Pad CARC Tan 686A                                  |
| 80732-001                       | 23482790                 | Bottom Cap CARC Tan 686A                               |
| 80733-001                       | 23482842                 | Shock Absorber CARC Tan 686A                           |
| 80734-001                       | 23482743                 | Lower Air Spring Mounting Bracket CARC Tan 686A        |
| 80735-001                       | 23482860                 | Frame Hanger CARC Tan 686A                             |
| 80737-460A                      |                          | Left Hand Longitudinal Torque Rod CARC Tan 686A        |
| 80737-460B                      |                          | Right Hand Longitudinal Torque Rod CARC Tan 686A       |
| 80737-475A                      |                          | Left Hand Longitudinal Torque Rod CARC Tan 686A        |
| 80737-475B                      |                          | Right Hand Longitudinal Torque Rod CARC Tan 686A       |
| 80737-480A                      |                          | Left Hand Longitudinal Torque Rod CARC Tan 686A        |
| 80737-480B                      |                          | Right Hand Longitudinal Torque Rod CARC Tan 686A       |
| 80738-001                       | 23482870                 | Transverse TRAAX ROD Rod CARC Tan 686A                 |
| 80742-001                       | 23482868                 | Axle Stop, Frame Mounted CARC Tan 686A                 |
| 80743-001                       | 23482869                 | Upper Shock Frame Bracket CARC Tan 686A                |
| 80746-001                       | 23482872                 | Transverse Torque Rod Frame Bracket CARC Tan 686A      |
| 80748-001                       | 23481876                 | HCV Mounting Bracket CARC Tan 686A                     |
| 80749-001                       | 23482755                 | HCV Linkage Bracket CARC Tan 686A                      |
| 80863-001                       | 23482801                 | U-beam Assembly CARC Tan 686A                          |
| 91286-101                       | 23482858                 | Left Hand Rear Upper Air Spring Bracket CARC Tan 686A  |
| 91286-201                       | 23482859                 | Right Hand Rear Upper Air Spring Bracket CARC Tan 686A |

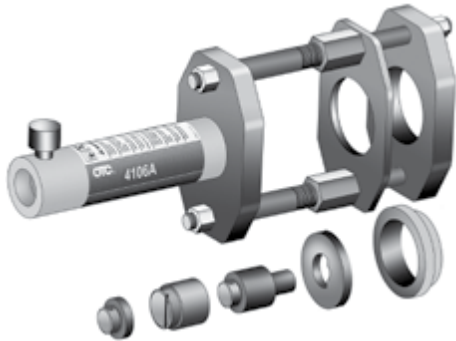


■ Special Tools

**D-PIN / QUIK-ALIGN BUSHING SERVICE TOOLS**

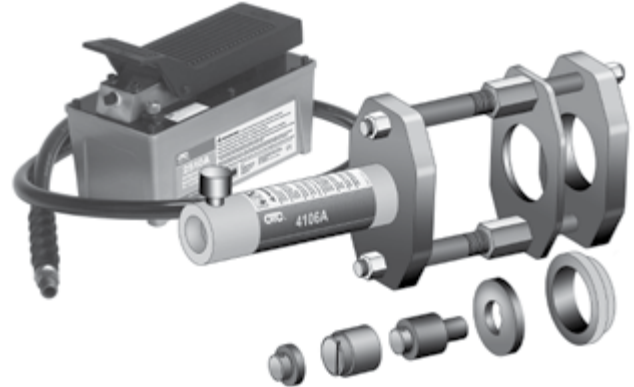
**Hendrickson Part No. 66086-202**

**OTC Part No. 4246** Visit [otctools.com](http://otctools.com)



**Hendrickson Part No. 66086-204**

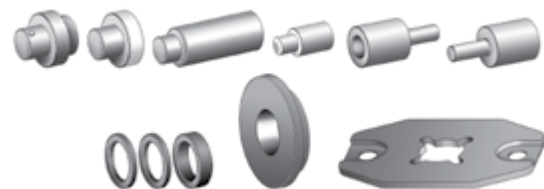
**OTC Part No. 4247** Visit [otctools.com](http://otctools.com)



**Hendrickson Part No. 66086-205**

**OTC Part No. 4254** Visit [otctools.com](http://otctools.com)

**NOTE:** In conjunction with Hendrickson Part No. 66086-204 (OTC 4247) this additional adapter tool kit is available to purchase to be used on Hendrickson SOFTEK NXT suspension (not needed for this suspension)



**QUIK-ALIGN BUSHING SERVICE TOOL**

**Hendrickson Part No. 66086-203L**

Reference Literature No. 59310-061



**QUIK-ALIGN SOCKET TOOL**

**Hendrickson Part No. 66086-200**

**OTC Part No. 1767**

Visit [otctools.com](http://otctools.com)



This is a general parts list to provide directional information. Components may vary by model. Questions in regards to parts, contact Hendrickson Truck Parts at 1.866.755.5968 (Toll-free U.S. and Canada), 630.910.2800 (Outside U.S. and Canada) or e-mail: [truckparts@hendrickson-intl.com](mailto:truckparts@hendrickson-intl.com). Actual product performance may vary depending upon vehicle configuration, operation, service and other factors. All applications must comply with applicable Hendrickson specifications and must be approved by the respective vehicle manufacturer with the vehicle in its original, as-built configuration. Contact Hendrickson for additional details regarding specifications, applications, capacities, and operation, service and maintenance instructions.

Call your truck dealer or Hendrickson at **1.866.755.5968** (toll-free) or **1.630.910.2800** for additional information.



[www.hendrickson-intl.com](http://www.hendrickson-intl.com)

SP-329 Rev A 06-20

© 2020 Hendrickson USA, L.L.C. All Rights Reserved. All trademarks shown are owned by Hendrickson USA, L.L.C., or one of the affiliates, in one or more countries. Information contained in this literature was accurate at the time of publication. Product changes may have been made after the copyright date that are not reflected.

**TRUCK COMMERCIAL VEHICLE SYSTEMS**  
 800 South Frontage Road  
 Woodridge, IL 60517-4904 USA  
 1.866.755.5968 (Toll-free U.S. and Canada)  
 1.630.910.2800 (Outside U.S. and Canada)  
 Fax 1.630.910.2899