

H PARTS LIST

RT™/ RTE™ Rear Suspension

LIT NO: SP-168

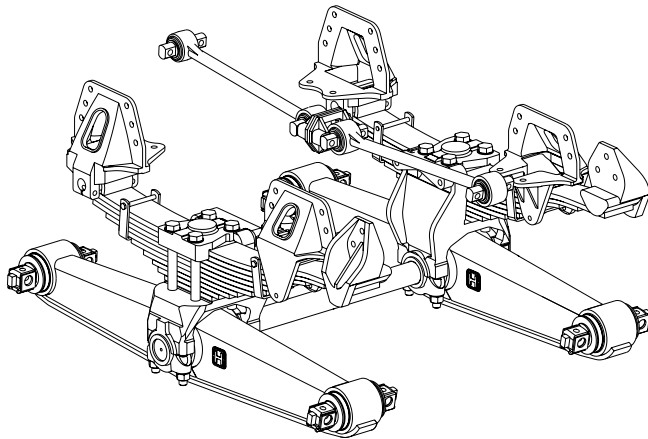
DATE: January 2017

REVISION: F

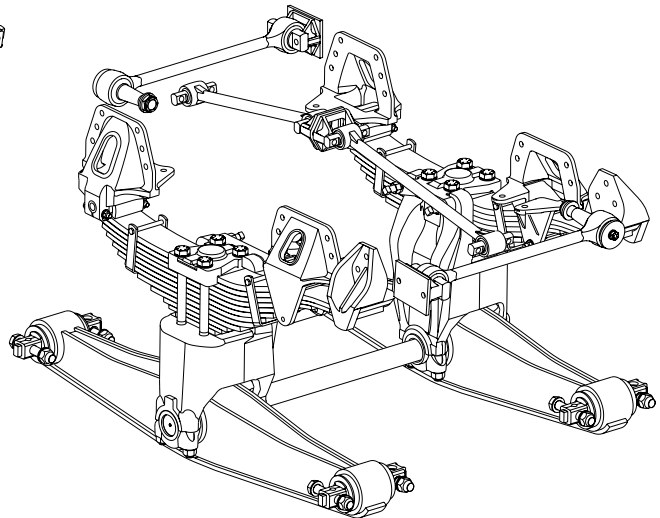
CONTENTS

DESCRIPTION	PAGE	DESCRIPTION	PAGE
Parts Lists		Selection Guides	
■ RT/RTE 34K • 40K • 46K	2	■ Cross Tubes	8
■ RT/RTE 48K • 52K	4	■ Top Pad Bolts	8
■ RT 65K • 70K Heavy-duty	6	■ Corresponding Center Bushing End Plugs for Cross Tube Replacement	8
		Notes	8
		Special Tools	9

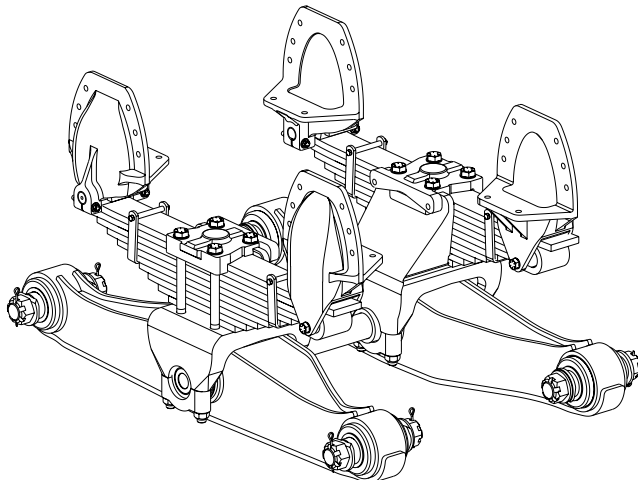
RT/RTE 34K • 40K • 46K

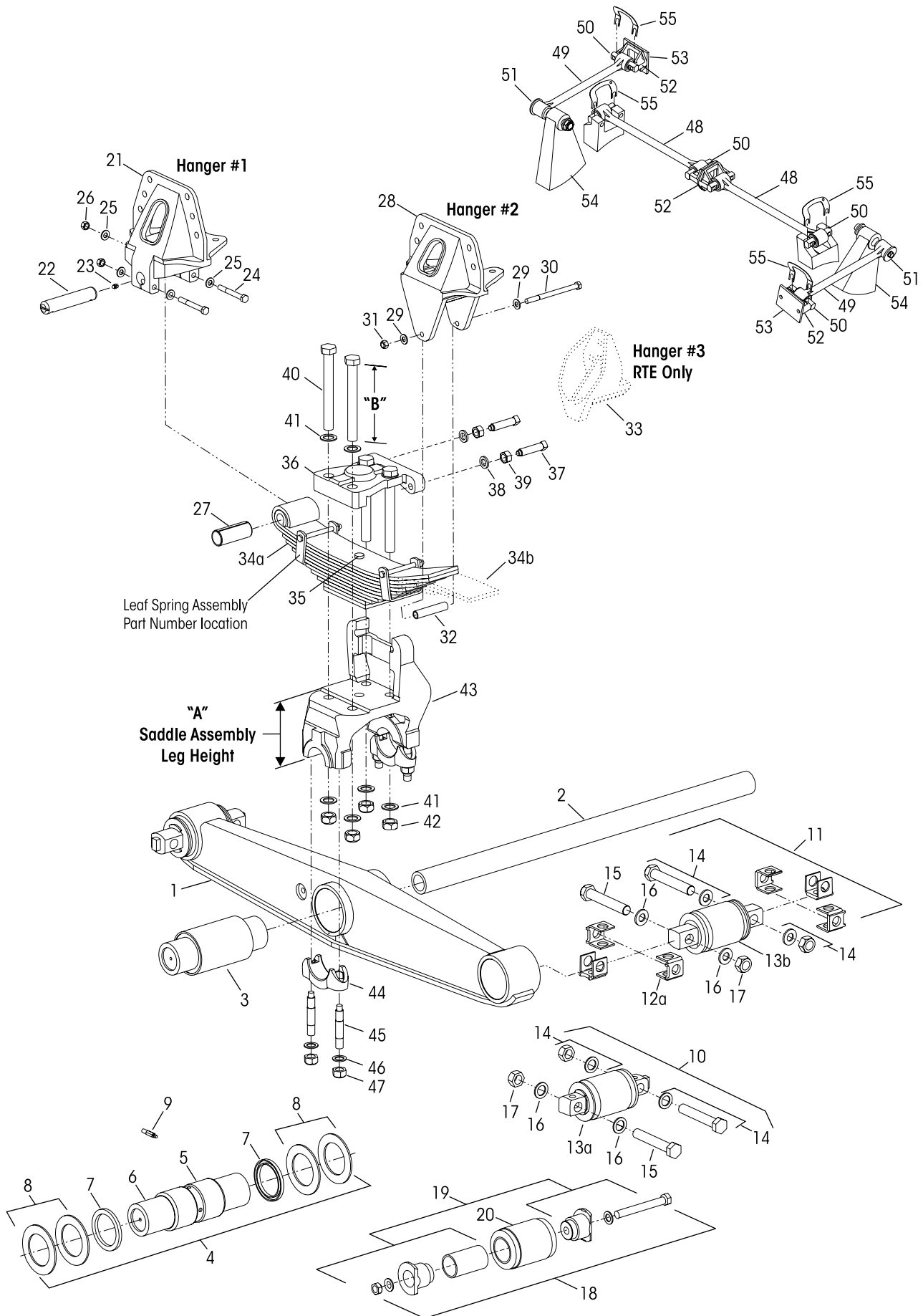


RT/RTE 48K • 52K



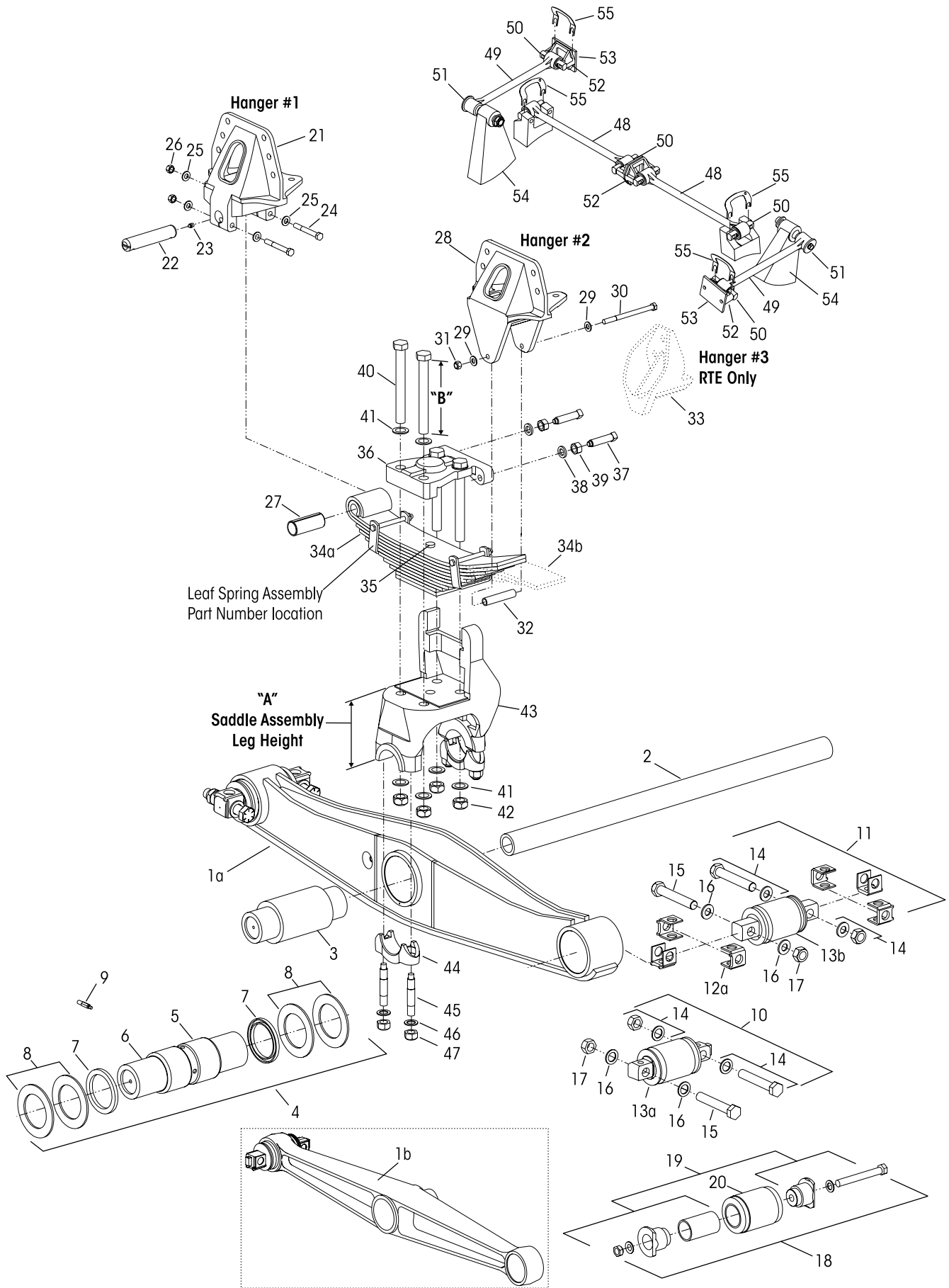
RT 65K • 70K Heavy-duty





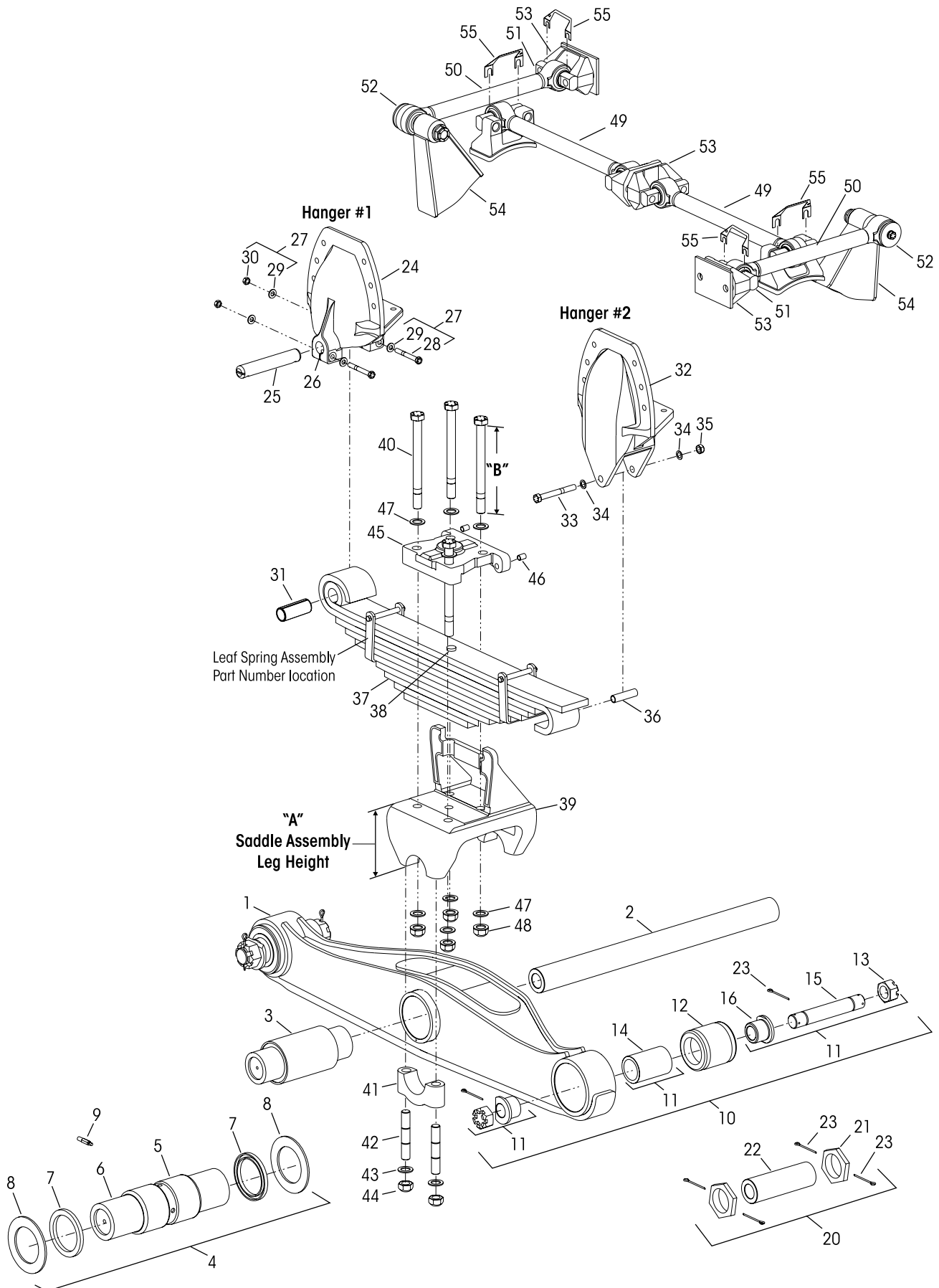


		VEHICLE			VEHICLE		
KEY NO.	PART NO.	DESCRIPTION	QTY.	KEY NO.	PART NO.	DESCRIPTION	QTY.
1		Equalizing Beam Assembly <i>See Selection Guide 45745-147</i>	2	29	22962-011	½" Hardened Washer	4
2	44642-XXX 44643-XXX	Cross Tube, <i>See Selection Guide on Page 8</i> , RT/RTE 34K, 1 15/16" Diameter RT/RTE 34K-46K, 2 7/16" Diameter	1	30	24531-005	½"-13 UNC x 6½" Bolt	2
3		Rubber Center Bushing, <i>See Center Bushing End Plug Selection Guide on Page 8</i>	2	31	49846-000	½"-13 UNC Locknut	2
	06664-000L	RT/RTE 34K Welded End Plug		32	00194-000	Rebound Bolt Spacer	2
	22279-000L	RT/RTE 34K w/Loose End Plug		33		RTE Extended Leaf Spring Hanger #3, <i>See Selection Guide 45745-038</i>	2
	49400-000L	RT/RTE 34K-40K Welded End Plug		34		Spring Assembly	2
	49600-000L	RT/RTE 34K-40K w/Loose End Plug		a	53383-000	RT 34K Standard Duty, <i>Replaces 58193-000</i>	
	29483-005L	• Optional for RT 34K-40K, <i>Requires Transverse Rods</i> RT/RTE 46K Welded End Plug		a	53384-000	RT 34K Light Duty, <i>Replaces 58194-000</i>	
	34013-097L	RT/RTE 46K w/Loose End Plug		a	45027-000	RT 40K	
4		Bronze Center Bushing Service Kit, Two Beams Includes Key Nos. 5-9		a	47057-000	RT 46K	
	30436-000L	RT/RTE 34K		b	53382-000	RTE 34K, <i>Replaces 58192-000</i>	
	30437-000L	RT/RTE 34K-46K		b	45121-000	RTE 40K	
5	30240-001	Bronze Center Bushing - RT/RTE 34K	2	b	45322-000	RTE 46K	
	30240-002L	Bronze Center Bushing - RT/RTE 34K-46K	2	35	66662-001	5/8" Center Bolt, Cut to Length, <i>Replaces 05069-000</i>	2
6	14684-000	Beam Center Sleeve - RT/RTE 34K	2	36	35064-000	Top Pad	2
	14685-000L	Beam Center Sleeve - RT/RTE 34K-46K	2		35370-002	Top Pad Set Screw Service Kit, One Set Includes Key Nos. 37-39	
7	30333-000	Beam Center Seal - RT/RTE 34K	4	37	06813-000	¾"-10 UNC Square Head Set Screw	4
	30334-000	Beam Center Seal - RT/RTE 34K-46K	4	38	17339-000	¾" Set Screw Lock Washer	4
8	32364-000	Thrust Washer - RT/RTE 34K	8	39	17342-000	¾"-10 UNC Set Screw Locknut	4
	32365-000	Thrust Washer - RT/RTE 34K-46K	8	40	30550-XXX	1"-14 UNS Top Pad Bolt, <i>See chart on Page 8</i>	8
9	30087-000	Grease Fitting	As Req. 2	41	22962-006	1" Hardened Washer	16
10	34013-087L	Bar Pin End Bushing Kit, One Wheel End Non-Shim Type, Includes Key Nos. 13a, 14		42	08017-000	1"-14 UNS Locknut	8
11	34013-088L	Shim Type, Includes Key Nos. 12a, 13b, 14		43		Saddle Assembly, <i>See Leg Height-Dim. "A"</i> Includes Key Nos. 44-47	2
Not Shown	34013-188L	Rotating Shim Type, Includes Key Nos. 12a, 13c, 14			31017-023	RT/RTE 34K, 6 3/16" Height, (Casting No. 46529)	
12		Bar Pin Shim	8		31017-025L	RT/RTE 34K, 7 3/16" Height (Casting No. 46138)	
a	50131-000	0.25" / 0.12" Standard			31017-022L	RT/RTE 34K-40K, 6" Height (Casting No. 57167)	
b	50130-000	0.19" / 0.19" Optional			31017-109L	RT/RTE 34K-40K, 7 3/16" Height (Casting No. 57143)	
c	57026-000	0.375" Optional flat shim			31017-096L	RT/RTE 46K, 6" Height (Casting No. 57457)	
13		**Bar Pin End Bushing	4		31017-110L	RT/RTE 46K, 7 3/16" Height (Casting No. 57155)	
a		Non-Shim Type		44	06662-000	Saddle Cap RT/RTE 34K	4
b		Shim Type			58795-000	Saddle Cap RT/RTE 34K-46K	4
c		Rotating Bar Pin, Shim Type (Not Shown)		45		7/8"-14 UNF Saddle Cap Stud	8
14	34013-104	Bar Pin End Bushing Fastener Kit, One Wheel End , Includes Key Nos. 15-17			07002-000	RT/RTE 34K	
15		**1"-8 UNC x 6" Hex Bolt	8		06696-000	RT/RTE 34K-46K	
16		**1" Hardened Washer	16	46	22962-002	7/8" Hardened Washer	8
17		**1"-8 UNC Locknut	8	47	04842-000	7/8"-14 UNF Saddle Cap Nut	8
18		Rubber End Bushing and Adapter Service Kit, One Wheel End		48		***One-piece Longitudinal Torque Rod Assembly, Straddle/Straddle, Specify Length in mm ULTRA ROD®, Includes Key No. 50	
	34013-049L	RT/RTE 34K-40K, Includes Key Nos. 19a, 20			62000-XXX	Front	1
	34013-073L	RT/RTE 46K, Includes Key Nos. 19b, 20			62001-XXX	Rear	1
19		Adapter w/o Bushing Service Kit, One Wheel End			8240-00XX-XXX	****TRAAX ROD™, Replaces 72000-XXX and 72001-XXX	2
a	45000-007L	RT/RTE 34K-40K		49		****One-piece Transverse Torque Rod Assembly, Straddle/Taper, Specify Length in mm ULTRA ROD, Includes Key Nos. 50-51	2
b	21140-034L	RT/RTE 46K			62350-XXX	ULTRA ROD, Includes Key Nos. 50-51	
20	45900-000L	Rubber End Bushing	4		8244-0099-XXX	****TRAAX ROD, Replaces 72350-XXX	
21		Forward Spring Hanger #1, Double Lock Pin <i>See Selection Guide 45745-038</i>	2		8233-0099-XXX	****TRAAX ROD, Replaces 92350-XXX	
22	43146-000L	Pin - 1 3/8" Diameter Double Lock	2	50	47691-000L	Straddle Bushing	6
23	33117-000	Lube Fitting	2	51	64697-000L	Taper Bushing	2
		Spring Mounting Service Kit				Two-Piece Torque Rod Assembly with Bushings Service Kit	
	29828-035L	One Hanger, Includes Key Nos. 24-26			60218-000	ULTRA ROD Straddle/Straddle	
	29828-034	Vehicle Set, Includes Key Nos. 22-26, 30, 32			60215-000	ULTRA ROD Straddle/Taper	
24	24531-009	½"-13 UNC x 4" Bolt	4		65781-000	ULTRA ROD PLUS Straddle/Taper	
25	22962-011	½" Hardened Washer	8		65781-001	XTRB Straddle/Straddle	
26	49846-000	½"-13 UNC Locknut	4		65781-002	XTRB Straddle/Taper	
27	30057-008L	Spring Eye Bushing, 1 3/8" I.D.	2	52	22186-000	Torque Rod Bracket	4
28		Rear Spring Hanger #2, <i>See Selection Guide 45745-038</i>	2	53	45045-003	Back-up Plate (for Torque Rod)	2
	29828-023	Rebound Bolt & Spacer Kit, One Hanger Includes Key Nos. 29-32		54		**Transverse Rod Axle Bracket	2
				55	49689-000L	Torque Rod Shim	As Req.
				Not Shown	70867-001	P-80 Lubricant - 10 ml Per Rubber Bushing	1





KEY NO.	PART NO.	DESCRIPTION	VEHICLE QTY.	KEY NO.	PART NO.	DESCRIPTION	VEHICLE QTY.
1		Equalizing Beam Assembly, <i>See Selection Guide 45745-147</i>	2	28		Rear Spring Hanger #2, <i>See Selection Guide 45745-038</i>	2
a		Fabricated Beam		292828-023		Rebound Bolt & Spacer Service Kit, One Hanger Includes Key Nos. 29-32	
b		Cast Beam		29	22962-011	½" Hardened Washer	4
2		Cross Tube - Dia. 27/16", <i>See Selection Guide on Page 8,</i>	1	30	24531-005	½"-13 UNC x 6½" Bolt	2
	44643-XXX	RT/RTE 48K		31	49846-000	½"-13 UNC Locknut	2
	07622-XXX	RT/RTE 52K		32	00194-000	Rebound Bolt Spacer	2
3		Rubber Center Bushing, <i>Requires Transverse Rods</i> <i>See Center Bushing End Plug Selection Guide on Page 8</i>	2	33		RTE Extended Leaf Spring Hanger #3, <i>See Selection Guide 45745-038</i>	2
	29483-005L	Welded End Plug		34		Spring Assembly	2
	34013-097L	Loose End Plug		a	47057-000	RT 48K-52K	
4	30437-000L	Bronze Center Bushing Service Kit, Two Beams Includes Key Nos. 5-9		b	45322-000	RTE 48K	
5	30240-002L	Bronze Center Bushing	2	35	66662-001	5/8" Center Bolt, Cut to Length, <i>Replaces 05069-000</i>	2
6	14685-000L	Beam Center Sleeve	2	36	35064-000	Top Pad	2
7	30334-000	Beam Center Seal	4	35370-002		Set Screw Service Kit, One Set Includes Key Nos. 37-39	
8	32365-000	Thrust Washer	8	37	06813-000	¾"-10 UNC Square Head Set Screw	4
9	30087-000	Grease Fitting	As Req. 2	38	17339-000	¾" Set Screw Lock washer	4
		Bar Pin End Bushing Kit, One Wheel End		39	17342-000	¾"-10 UNC Set Screw Locknut	4
10	34013-087L	Non-Shim Type, Includes Key Nos. 13a, 14		40	30550-XXX	1"-14 UNS Top Pad Bolt, <i>See chart on Page 8</i>	8
11	34013-088L	Shim Type, Includes Key Nos. 12a, 13b, 14		41	22962-006	1" Hardened Washer	16
Not Shown	34013-188L	Rotating Shim Type, Includes Key Nos. 12a, 13c, 14		42	08017-000	1"-14 UNS Locknut	8
12		Bar Pin Shim	8	43		Saddle Assembly, Specify Leg Height-Dim. "A" Includes Key Nos. 44-47	2
a	50131-000	0.25" / 0.12" Standard		31017-053		6" Height, (Casting No. 32796)	
b	50130-000	0.19" / 0.19" Optional		31017-077		7¾" Height, (Casting No. 47476 or 47665)	
c	57026-000	0.375" Optional flat shim		31017-108		11" Height, (Casting No. 50965)	
13		**Bar Pin End Bushing	4	44	58795-000	Saddle Cap, <i>Replaces 48545-000</i>	4
a		Non-Shim Type		45	06696-000	7/8"-14 UNF Saddle Cap Stud	8
b		Shim Type		46	22962-002	7/8" Saddle Cap Washer	8
c		Rotating, Shim Type (Not Shown)		47	04842-000	7/8"-14 UNF Saddle Cap Nut	8
14	34013-104	Bar Pin End Bushing Fastener Kit, One Wheel End , Includes Key Nos. 15-17		48		***One-piece Longitudinal Torque Rod Assembly, Straddle/Straddle, Specify Length in mm ULTRA ROD®, Includes Key No. 50	
15		**1"-8 UNC x 6" Hex Bolt	8	62000-XXX		Front	1
16		**1" Hardened Washer	16	62001-XXX		Rear	1
17		**1"-8 UNC Locknut	8	8240-00XX-XXX		****TRAAX ROD™, <i>Replaces 72000-XXX and 72001-XXX</i>	2
18		Rubber End Bushing and Adapter Service Kit, One Wheel End		49		****One-piece Transverse Torque Rod Assembly, Straddle/Taper, Specify Length in mm ULTRA ROD, Includes Key Nos. 50-51	2
	34013-050L	5¾" Length, Includes Key Nos. 19a, 20a		62350-XXX		ULTRA ROD, Includes Key Nos. 50-51	
	34013-051L	6" Length, Includes Key Nos. 19b, 20b		8244-0099-XXX		****TRAAX ROD, <i>Replaces 72350-XXX</i>	
19		End Bushing Adapter Service Kit, One Wheel End		8233-0099-XXX		****TRAAX ROD, <i>Replaces 92350-XXX</i>	
a	21140-034L	5¾" Length		50	47691-000L	Straddle Bushing	6
b	21140-033L	6" Length		51	64697-000L	Taper Bushing	2
20		Rubber End Bushing	4			Two-Piece Torque Rod Assembly with Bushings Service Kit	
a	29878-001L	5¾" Length		60218-000		ULTRA ROD Straddle/Straddle	
b	45407-000L	6" Length		60215-000		ULTRA ROD Straddle/Taper	
21		Forward Spring Hanger #1, Double Lock Pin <i>See Selection Guide 45745-038</i>	2	65781-000		ULTRA ROD PLUS Straddle/Taper	
22	43146-000L	Pin - 1 3/8" Diameter Double Lock	2	65781-001		XTRB Straddle/Straddle	
23	33117-000	Lube Fitting	2	65781-002		XTRB Straddle/Taper	
		Spring Mounting Service Kit		52	22186-000	Torque Rod Bracket	4
	29828-035L	One Hanger, Includes Key Nos. 24-26		53	45045-003	Back-up Plate (for Torque Rod)	2
	29828-034	Vehicle Set, Includes Key Nos. 22-26, 30, 32		54		*Transverse Rod Axle Bracket	2
24	24531-009	½"-13 UNC x 4" Bolt	4	55	49689-000L	Torque Rod Shim	As Req.
25	22962-011	½" Hardened Washer	8	Not Shown	70867-001	P-80 Lubricant - 10 ml Per Rubber Bushing	1
26	49846-000	½"-13 UNC Locknut	4				
27	30057-008L	Spring Eye Bushing 1 3/8" I.D.	2				





			VEHICLE				VEHICLE
KEY NO.	PART NO.	DESCRIPTION	QTY.	KEY NO.	PART NO.	DESCRIPTION	QTY.
1		Equalizing Beam Assembly <i>See Selection Guide 45745-147</i>	2	27	46825-001	Forward Hanger Spring Mounting Service Kit, One Hanger , Includes Key Nos. 28-30	
2	10397-XXX	Cross Tube, <i>See Selection Guide on Page 8</i>	4	28	24531-009	½"-13 UNC x 4" Bolt	4
3	10366-000L	Rubber Center Bushing	2	29	22962-011	½" Hardened Washer	8
4	45374-000	Bronze Center Bushing Service Kit, Two Beams Includes Key Nos. 5-9	2	30	49846-000	½"-13 UNC Locknut	4
5	30240-005	Bronze Center Bushing	2	31		Spring Eye Bushing	2
6	25102-000	Beam Center Sleeve	2		22285-000	Bronze 1½" I.D.	
7	31577-000	Beam Center Seal	4		50592-000	Steel Bushing 1½" I.D.	
8	45261-000	Thrust Washer	4	32		Rear Spring Hanger #2, <i>See Selection Guide 45745-038</i>	2
9	30087-000	Grease Fitting	As Req. 2		29828-033	Rear Hanger Spring Mounting Service Kit, One Hanger , Includes Key Nos. 33-36	
10		Rubber End Bushing and Adapter Service Kit, Tandem Set		33	21867-023	¾"-16 UNF x 6½" Bolt	2
	60872-010	for 6" Bushing, Includes Key Nos. 12a and 21140-007 Fastener Kit		34	22962-001	¾" Flat Washer	4
	60872-011	for 7" Bushing, Includes Key Nos. 12b, and 21140-004L Fastener Kit		35	30191-000	¾"-16 UNF Locknut	2
		Rubber End Bushing and Adapter Service Kit, One Wheel End		36	02276-000	Rebound Bolt Spacer	2
	34013-052	for 6" Bushing, Includes Key Nos. 12a and 21140-007 Fastener Kit		37		Spring Assembly, Includes Key No. 6	2
	34013-110	for 7" Bushing, Includes Key Nos. 12b, and 21140-004L Fastener Kit			27535-000	Spring Rate 27,300 lb.	
	34013-072	Rubber End Bushing and Tube/Nut Service Kit, One Wheel End , Includes Key Nos. 13 and 21140-006 Fastener Kit			02056-000	Spring Rate 29,400 lb. (Bronze Bushing)	
					58596-000	Spring Rate 29,400 lb. (Steel Eye Bushing)	
					57961-000	Spring Rate 44,400 lb.	
11		Adapter Fastener Service Kit, One Wheel End , (Bushing not included)		38	66662-001	5/8" Center Bolt, Cut to Length, <i>Replaces 05069-000</i>	2
	21140-007	for 6" Bushing includes 13, 15-16, 23		39		Saddle Assembly, Specify Height-Dim. "A" Includes Key Nos. 41-44	2
	21140-004L	for 7" Bushing includes 13, 15-16, 18, 23,			31017-004	7½" Ht. (Casting No. 15784, 46895 or 48497)	
	21140-027	for 6" Bushing includes 13-16, 18, 23			31017-071	9¾" Ht. (Casting No. 15784 or 46673-001)	
	21140-031	for 6" Bushing includes 13, 15-16, 19, 23			31017-070	10½" Ht. (Casting No. 15784 or 46673-002)	
	21140-052	for 6" Bushing includes 13, 15-16, 18, 23			31017-069	11½" Ht. (Casting No. 15784 or 46673-002)	
	21140-026	for 7" Bushing includes 13, 15-16, 18, 23		40	30550-XXX	1"-14 UNS Top Pad Bolt, <i>See chart on Page 8</i>	8
	21140-043	for 7" Bushing includes 13, 15-18, 23		41	15785-000	Saddle Cap	4
12		Rubber End Bushing	4	42	10948-000	1"-14 UNS Saddle Cap Stud	8
a	10363-000L	6" Length		43	22962-006	1" Hardened Washer	8
b	10364-000L	7" Length		44	08017-000	1"-14 UNS Locknut	8
13	17491-022	17/8" 12 UNF Slotted Nut	8	45	19199-000	Top Pad (Casting No. 35431 or 48491) <i>Replaces 54112-000</i>	2
14		Adapter Tube	4	46	19201-002	¾"-10 UNC x 1¾" Internal Hex Head Set Screw	4
15		Beam End Shaft	4	47	22962-006	1" Hardened Washer	16
16		Beam End Adapter	8	48	08017-000	1"-14 UNS Locknut	8
17	46628-000	17/8" Hex Nut (Not Shown)	4	49		***One-piece Longitudinal Torque Rod Assembly, 2 Straddle/Straddle, Specify Length in mm ****TRAAX ROD™, <i>Replaces 72100-XXX</i>	2
18	45456-000	Thrust Washer (Not Shown)	4		8232-0000-XXX		
19	48852-000	Split Adapter (Not Shown)	8	50		****One-piece Transverse Torque Rod Assembly, 2 Straddle/Taper, Specify Length in mm ULTRA ROD PLUS, Includes Key Nos. 51a-52a XTRB, Includes Key Nos. 51b-52b	2
20	21140-006	Threaded Tube/Nut Service Kit, One Wheel End Includes Key Nos. 21-23			72850-XXX		
21	10371-000	3" - 12 UNF - 2B Nut	8		92950-XXX		
22	10372-000	Threaded Tube	4	51		Straddle Bushing	6
23	17800-010	Cotter Pin	16	a	64400-003L	ULTRA ROD PLUS	
24		Forward Spring Hanger #1, <i>See Selection Guide 45745-038</i>	2	b	66649-003L	XTRB	
	29828-032	Spring Mounting Service Kit, One Hanger , Includes Key Nos. 25, 26, 28-30, 33-36		52		Taper Bushing	2
25	45797-000L	Pin 1½" Diameter (Double Lock)	2	a	64400-006L	ULTRA ROD PLUS	
26	33117-000	Lube Fitting	As Req.	b	66649-004L	XTRB	
				53	46015-000	Torque Rod Bracket	4
				54		*Transverse Torque Rod Axle Bracket	2
				55	67779-002	Torque Rod Shim	As Req.
				Not Shown	70867-001	P-80 Lubricant - 10 ml Per Rubber Bushing	1



■ Selection Guide

KEY NO. 2								KEY NO. 40	
RT/RTE CROSS TUBES								TOP PAD BOLTS	
34K		34K • 40K • 46K • 48K		52K		65K • 70K		1" 14 UNS-2A	
Length	Part Number	Length	Part Number	Length	Part Number	Length	Part Number	Length	Part Number
33 ⁷ / ₈ "	44642-020	33 ⁷ / ₈ "	44643-027	46"	07622-003	34 ³ / ₄ "	10397-015	8 ¹ / ₂ "	30550-018
36 ¹ / ₂ "	44642-022	40 ³ / ₄ "	44643-011	53"	07622-018	40"	10397-018	8 ¹ / ₂ "	30550-019
42"	44642-009	42"	44643-008	64"	07622-031	40 ³ / ₄ "	10397-014	8 ³ / ₄ "	30550-001
44 ⁷ / ₈ "	44642-008	44 ⁷ / ₈ "	44643-009	68"	07622-014	41"	10397-019	9"	30550-002
		46"	44643-003			41 ³ / ₄ "	10397-009	9 ¹ / ₄ "	30550-003
		47"	44643-002			42"	10397-001	9 ¹ / ₂ "	30550-004
		48"	44643-001			42 ¹ / ₂ "	10397-021	9 ³ / ₄ "	30550-005
		49 ¹ / ₄ "	44643-024			43 ¹ / ₄ "	10397-017	10"	30550-006
		51"	44643-015			44 ³ / ₄ "	10397-002	10 ¹ / ₄ "	30550-007
		53"	44643-018			46"	10397-010	10 ¹ / ₂ "	30550-008
		54 ¹ / ₂ "	44643-017			46 ¹ / ₂ "	10397-020	10 ³ / ₄ "	30550-009
		57"	44643-010			47 ¹ / ₂ "	10397-027	11"	30550-010
		64"	44643-028			50"	10397-013	11 ¹ / ₄ "	30550-011
		68"	44643-014			51 ¹ / ₄ "	10397-003	11 ¹ / ₂ "	30550-012
		77"	44643-029			52 ³ / ₄ "	10397-006	11 ³ / ₄ "	30550-013
						54"	10397-025	12"	30550-014
						56 ¹ / ₂ "	10397-016	16 ⁵ / ₈ "	30550-028
						61 ¹ / ₄ "	10397-008		
						62 ³ / ₄ "	10397-031		
						67 ¹ / ₂ "	10397-004		
						75 ³ / ₄ "	10397-029		

KEY NO. 3, Pages 3 and 5		
♦Corresponding Center Bushing End Plug for Cross Tube Replacement – 34K through 52K Only		
	Rubber Center Bushing Part Number	◆◆ End Plug Part Number
34K	06664-000L • 22279-000L	22278-000
34K • 40K	49400-000L • 49600-000L	22281-000
34K • 40K • 46K • 48K • 52K	29483-005L • 34013-097L	
♦ Hendrickson recommends for high capacity walking beam suspensions, removal of the equalizing beam to replace the cross tube. Refer to Hendrickson publication 17730-070 for 65K cross tube replacement. ◆◆ End Plugs are not needed if equipped with bronze center bushings.		

- NOTES**
- * Not supplied by Hendrickson, used for reference only. Hendrickson is not responsible for components supplied by the vehicle manufacturer. For assistance with maintenance and rebuild instructions on these components see vehicle manufacturer.
 - ** Item included in kit/assembly only, part not sold separately.
 - *** Hendrickson's part number is stamped on the torque rod for identification. Be sure to include the suffix number when ordering, this number indicates rod length. Hendrickson's two-piece ULTRA ROD • ULTRA ROD PLUS can be used to create the desired length, refer to Hendrickson Lit. No. 45745-148.
 - **** Transverse torque rods are mandatory for the RT/RTE rear suspension regardless of axle spacing, refer to Hendrickson Literature No. 59310-004 and 59310-058.
 - ***** Longitudinal and transverse TRAAX Rod bushings are non-serviceable, the entire torque rod assembly requires replacement. Visit TRAAX ROD website www.traaxrods.com for more information.



■ Special Tools

BAR PIN STYLE END BUSHING TOOLS

INSTALLATION TOOL

Hendrickson Part No. 66086-103

OTC Part No. 1757 Visit otctools.com



Use with the equalizing beam removed from the truck, and in conjunction with OTC No. 51100 press plate and a 100-ton hydraulic shop press.

REMOVAL TOOLS

Hendrickson Part No. 66086-104

OTC Part No. 206457 Visit otctools.com



Hendrickson Part No. 66086-105

OTC Part No. 302030 Visit otctools.com



ADAPTER STYLE END BUSHING TOOL SET • RUBBER CENTER BUSHING



28K-52K lb. Capacity Bushings

Hendrickson Part No. 66086-102

OTC Part No. 1764 Visit otctools.com

Use with the equalizing beam removed from the truck and a 100-ton or larger hydraulic shop press.

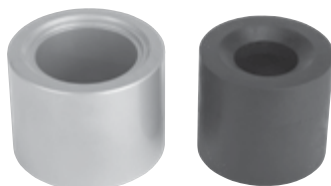


65K-85K lb. Capacity Bushings

Hendrickson Part No. 66086-101

OTC Part No. 1763 Visit otctools.com

RUBBER CENTER BUSHING TOOLS

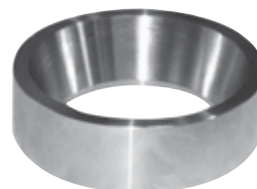


40K lb. Capacity Bushings

Hendrickson Part No. 66086-100

OTC Part No. 1746 Visit otctools.com

TORQUE ROD BUSHING FUNNEL TOOLS



ULTRA ROD – Hendrickson Part No. 66086-001L

ULTRA ROD PLUS – Hendrickson Part No. 66086-000L

This is a general parts list to provide directional information. Components may vary by model. Questions in regards to parts, contact Hendrickson Truck Parts at 1.866.755.5968 (Toll-free U.S. and Canada), 630.910.2800 (Outside U.S. and Canada) or e-mail: truckparts@hendrickson-intl.com.

Actual product performance may vary depending upon vehicle configuration, operation, service and other factors.

All applications must comply with applicable Hendrickson specifications and must be approved by the respective vehicle manufacturer with the vehicle in its original, as-built configuration.

Contact Hendrickson for additional details regarding specifications, applications, capacities, and operation, service and maintenance instructions.

*Call your truck dealer or Hendrickson at **1.866.755.5968** (toll-free) or **1.630.910.2800** for additional information.*



www.hendrickson-intl.com

SP-168 Rev F 01-17

© 2004 – 2017 Hendrickson USA, L.L.C. All Rights Reserved. All trademarks shown are owned by Hendrickson USA, L.L.C., or one of the affiliates, in one or more countries.

Information contained in this literature was accurate at the time of publication. Product changes may have been made after the copyright date that are not reflected.

TRUCK COMMERCIAL VEHICLE SYSTEMS

800 South Frontage Road

Woodridge, IL 60517-4904 USA

1.866.755.5968 (Toll-free U.S. and Canada)

1.630.910.2800 (Outside U.S. and Canada)

Fax 1.630.910.2899

Printed in United States of America