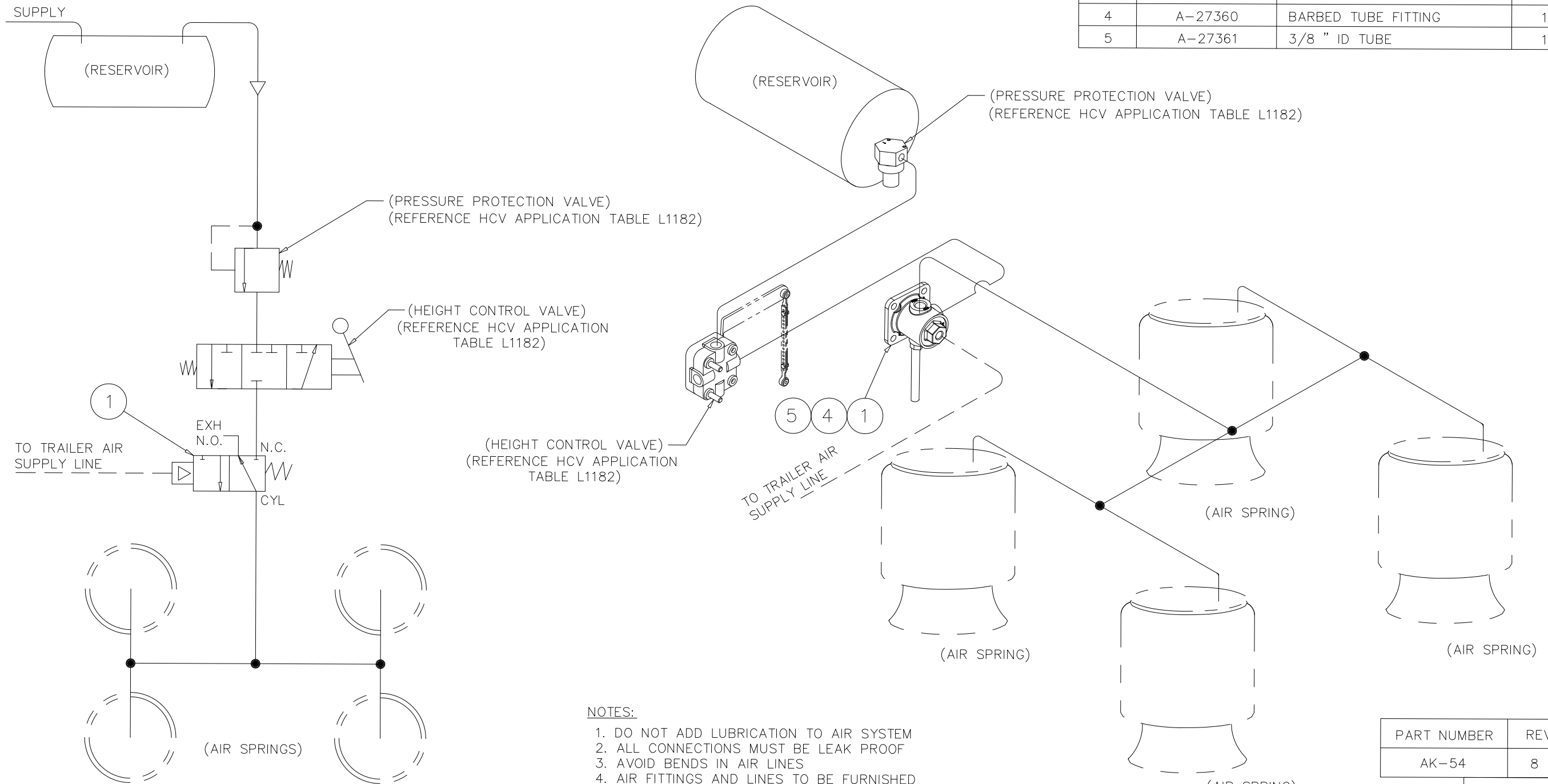


ITEM	PART NO.	DESCRIPTION	QTY.
1	B-38689	AIR PILOTED VALVE, 3-WAY	1
2	L373	CAUTION STICKER	1
3	DWG C-3714	AK-54 AIR KIT DRAWING	1
4	A-27360	BARBED TUBE FITTING	1
5	A-27361	3/8" ID TUBE	1



(HEIGHT CONTROL VALVE)
(REFERENCE HCV APPLICATION TABLE L1182)

(PRESSURE PROTECTION VALVE)
(REFERENCE HCV APPLICATION TABLE L1182)

(PRESSURE PROTECTION VALVE)
(REFERENCE HCV APPLICATION TABLE L1182)

(HEIGHT CONTROL VALVE)
(REFERENCE HCV APPLICATION TABLE L1182)

NOTES:

- DO NOT ADD LUBRICATION TO AIR SYSTEM
- ALL CONNECTIONS MUST BE LEAK PROOF
- AVOID BENDS IN AIR LINES
- AIR FITTINGS AND LINES TO BE FURNISHED BY INSTALLER. 3/8" O.D. POLYIMIDE TUBING.
- APPLICATION - ALL SUSPENSION MODELS
- THIS KIT TO BE USED IN CONJUNCTION WITH AN HCV KIT REFERENCE L1182 CONTROLS PARTS CATALOG.
- WEIGHT: .70

OPERATION

- WHEN THE PARKING BRAKES ARE RELEASED OR THE GLAD HAND IS CONNECTED, THE PILOT VALVE OPENS ALLOWING AIR TO FLOW TO THE AIR SPRINGS.
- WHEN THE PARKING BRAKES ARE ENGAGED OR THE GLAD HAND IS DISCONNECTED THE PILOT VALVE CLOSES EXHAUSTING THE AIR SPRINGS.

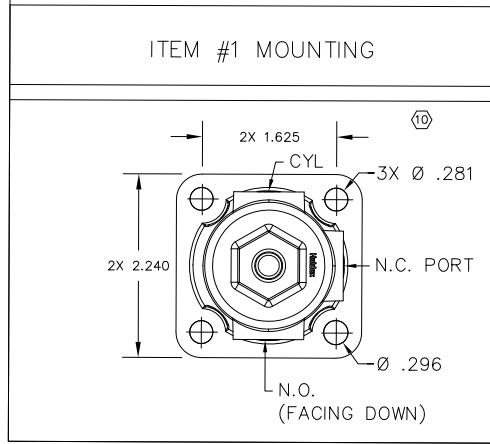
FUNCTION

AIR DUMP USED WITH AN HCV KIT REFERENCE L1182

PART NUMBER	REV
AK-54	8

P
PRODUCTION

This Print remains the property of Hendrickson. All information contained thereon is confidential. It is loaned, subject to return on demand and on express condition that it is not to be copied or used directly or indirectly for any purpose other than the purpose for which it has been loaned to you.



<p>TRAILER COMMERCIAL VEHICLE SYSTEMS 2070 INDUSTRIAL PLACE S.E., CANTON, OH 44707-2600 U.S.A.</p>	UNLESS OTHERWISE NOTED: TOLERANCES ARE .X: ± .1 .XX: ± .06 .XXX: ± .030 ANGULAR: ± 0.5°	DIMENSIONS ARE: INCHES 	10 32706 BLY 5-29-19 9 31537 NJK 6-12-18 7a 24078 FJA 3-19-15 7 19050 PSO 8-11-10	DRAWN BY JER CHK'D BY 2-25-93 J. SUKOSD APP'D BY: R. FRANKS	DATE 4-21-83 THIS DRAWING IS THE CONFIDENTIAL PROPERTY OF HENDRICKSON	SCALE .25=1.00 (SIZE)	PAGE 1 OF 1 DRAWING No.
	AIR CONTROL KIT AK-54					C-3714	