

H PARTS LIST

SOFTEK for Workhorse UFO Motorhome Chassis

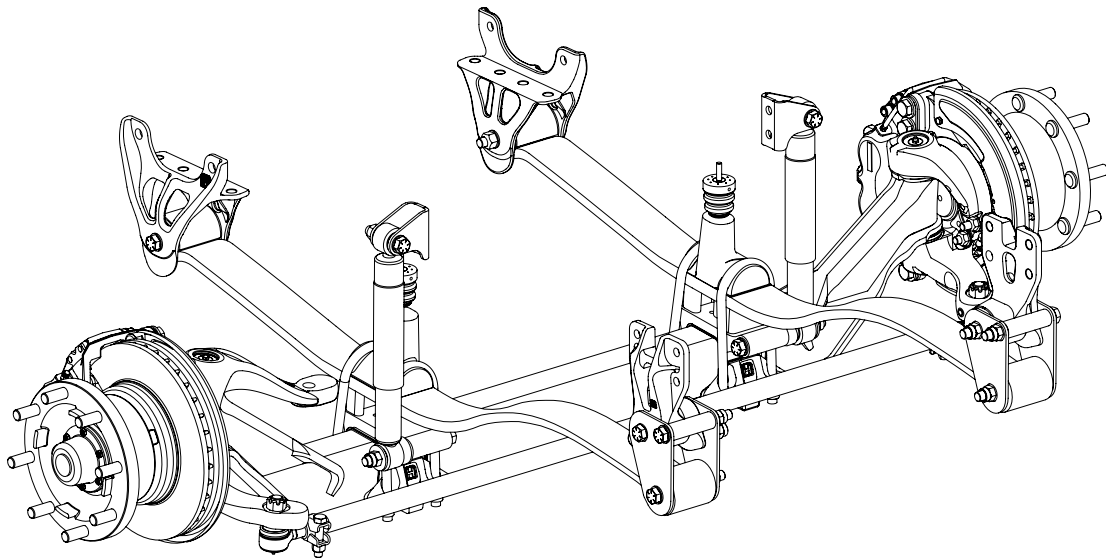
LIT NO: SP-214

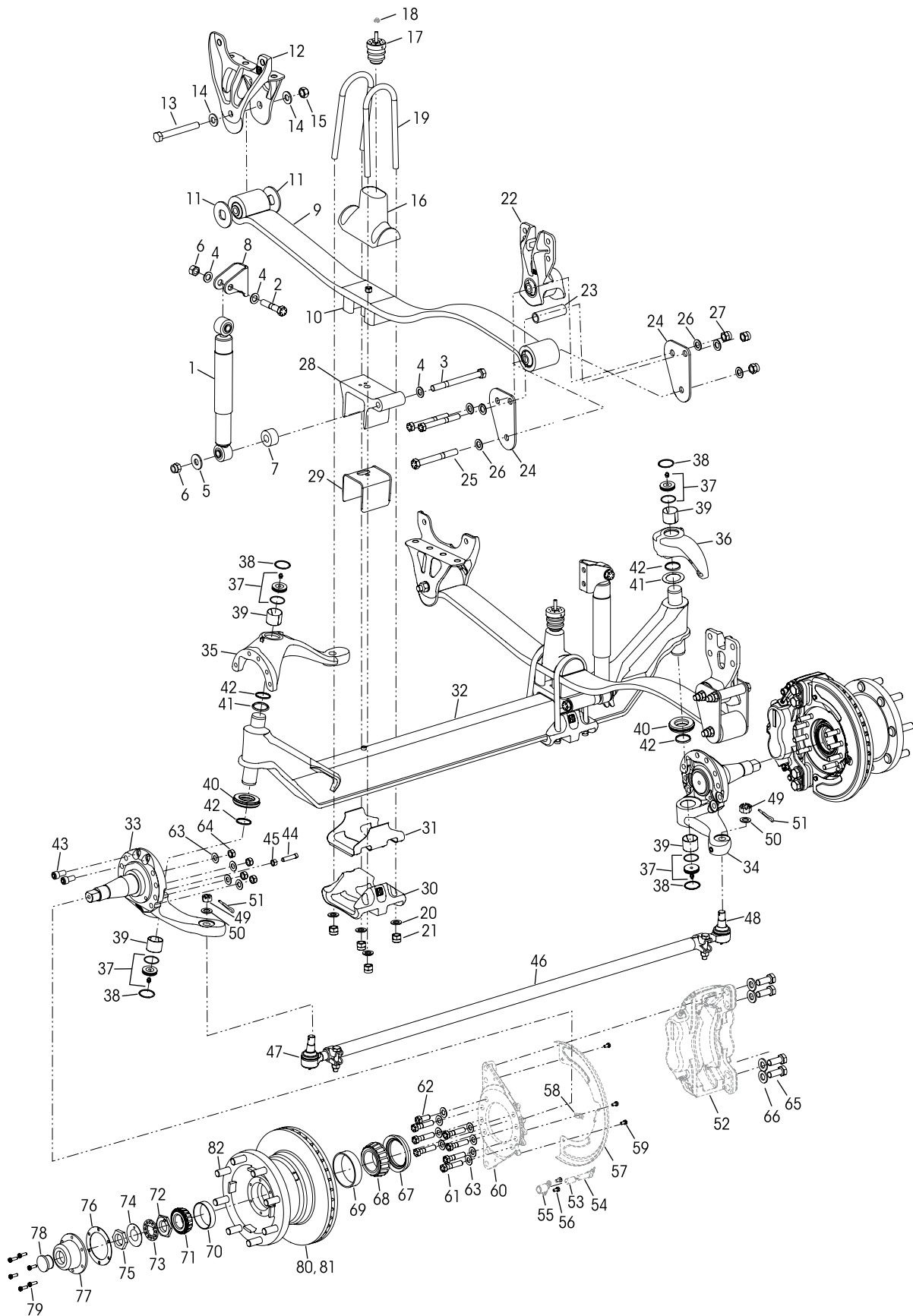
DATE: November 2018

REVISION: C

CONTENTS

DESCRIPTION	PAGE
Parts List	2
Special Tool	4







SOFTEK® for Workhorse UFO Motorhome Chassis

VEHICLE				VEHICLE			
KEY NO.	PART NO.	DESCRIPTION	QTY.	KEY NO.	PART NO.	DESCRIPTION	QTY.
1	66153-008	Shock Absorber, <i>Replaces 66153-002</i>	2	41	60259-001X	Kingpin Shim 0.005" (Pack of 4)	As Req.
2	21867-017	¾"-16 UNF x 4" Upper Shock Bolt	2		60259-002	Kingpin Shim 0.047"	
3	21867-005	¾"-16 UNF x 8¼" Lower Shock Bolt	2	42	58910-001	Kingpin Seal, <i>Replaces 58910-000</i>	4
4	22962-001	¾" Flat Washer	6	43	60236-001	⅝"-11 UNC Socket Head Cap Screw	4
5	59946-004	Shock Retaining Washer	2	Not Shown	60937-000	Loctite® (Red) Compound Tube	1
6	17700-035	¾"-16 UNF Locknut	4		60961-069	Stop Bolt Service Kit, One Wheel End Includes Key Nos. 44-45	
7	59946-003	Shock Spacer	2	44	60238-001	½"-13 UNC Square Head Bolt	2
8	66589-001	Shock Bracket	2	45	60240-000	½"-13 UNC Jam Nut	2
9	66441-002	Leaf Spring Assembly, Includes Spring Eye Bushing and Z Spacer	2	46	60239-008	***Tie Rod Assembly, Includes Key Nos. 47-51	1
10		**Z Spacer, attached to leaf spring	2			***Tie Rod End Service Kits	
11	67493-000	Thrust Washer - Front Hanger <i>Replaces 65869-000</i>	4		60961-010	Axle Set , Includes Kit Nos. 60961-025 & -026	
12	66297-000	Front Hanger	2		60961-025	Left Hand , Includes Key Nos. 47, 49-51	
13	21867-006	¾"-16 UNF x 7" Bolt, <i>Replaces 58917-009</i>	2		60961-026	Right Hand , Includes Key Nos. 48-51	
14	22962-001	¾" Flat Washer	4	47	64000-001	***LH Tie Rod End	1
15	17700-035	¾"-16 UNF Nylocknut, <i>Replaces 17700-033</i>	2	48	64000-002	***RH Tie Rod End	1
16	65925-000	Top Pad / Axle Stop	2	49		**⅞" Castle Nut, Included in Tie Rod Assembly	2
17	66308-001	Auxiliary Bumper	2	50	22962-007	⅞" Hardened Washer	2
18		*M10 x 1.5 Flanged Locknut	2	51	17800-004	Cotter Pin	2
	60961-151	U-bolt Axle Clamp Kit, One Side , Includes Key Nos. 19-21		52		*Caliper Assembly	2
19	64804-115	¾"-16 UNF U-bolt	4	53		*ABS Sensor Clip	2
20	22962-001	¾" Flat Washer	8	54		*ABS Sensor	2
21	17700-035	¾"-16 UNF Nylocknut	8	55		*ABS Bracket	2
		****Rear Shackle Bracket Assembly, Includes Key Nos. 22-27		56	18160-012	⅝"-18 UNC x ½" Bolt (ABS Bracket)	4
	66511-001	Left Hand	1	57		*Dust Shield	2
	66511-002	Right Hand	1	58		*Dust Shield Clip	2
22	66510-000	Rear Shackle Bracket/Bushing Assembly	2	59	64201-001	M8 x 1.25"-6G Cap Screw (Dust Shield)	6
23	60631-002	Spacer Shackle Stop	2	60		*Torque Plate	2
24	66413-000	Rear Shackle Plate	4	61	32043-002	⅝"-11 UNC x 2¾" Hex Bolt (Torque Plate)	14
25	58917-021	¾"-10 UNC x 6½" Bolt	6	62	32043-021	⅝"-11 UNC x 1½" Hex Bolt (Torque Plate)	2
26	22962-001	¾" Flat Washer	12	63	22962-036	⅝" Hardened Washer (Torque Plate)	24
27	17700-033	¾"-10 UNC Nylocknut	6	64	47764-000	⅝"-11 UNC Locknut (Torque Plate)	8
	64502-043	Axle Wheel End Brake Assembly, Includes Key Nos. 28-78	1	65	58258-017	M20 x 2.5-6G Hex Bolt (Caliper)	8
	63252-521	STEERTEK Axle Assembly, Includes Key Nos. 28-51	1	66	58246-018	M20 Hardened Washer (Caliper) <i>Replaces 58246-009</i>	8
	64628-003	Axle Wrap and Liner Service Kit, Axle Set , Includes Key Nos. 28-31			64626-008	Front Bearing Wheel End Service Kit, One Wheel End , Includes Key Nos. 67-76	
28	59952-018	Top Axle Wrap	2	67	80726-000	Wheel Seal, <i>Replaces 64531-000</i>	2
29	60508-000	Top Axle Wrap Liner	2	68	64529-000	Inner Bearing Cone	2
30	64723-002	Bottom Axle Wrap	2	69		**Inner Bearing Cup	2
31	59845-000	Bottom Axle Wrap Liner	2	70		**Outer Bearing Cup	2
32	64905-003	Axle & Kingpin Assembly	1	71	64530-000	Outer Bearing Cone	2
33	58900-061	LH Lower Steering Knuckle Assembly	1	72	64671-000	1½"-12 UNF Adj. Inner Nut	2
34	58900-062	RH Lower Steering Knuckle Assembly	1	73	64672-000	1½"-12 UNF Pierced Lock Ring	2
35	60903-052	LH Upper Steering Knuckle Assembly	1	74	64673-000	1½" Lock Washer	2
36	60904-002	RH Upper Steering Knuckle Assembly	1	75	64674-000	1½"-12 UNF Outer Nut	2
	60961-039	Kingpin Bushing Service Kit, One Wheel End Includes Key Nos. 37-43 and Loctite		76	64546-000	Hubcap Gasket	2
37	59156-000	Grease Cap Assembly	4	77	64532-000	Hubcap Assembly, Includes Key No. 78	2
38	58937-000	Retaining Ring	4	78		**Rubber Plug	
39	58909-000	Kingpin Bushing	4	79	64545-002	⅝"-18 UNC x ¾" Bolt for Hubcap <i>Replaces 64545-001</i>	12
	60961-042	Roller Thrust Bearing Service Kit, One Wheel End , Includes Key Nos. 40-43 and Loctite		80	66352-001	Hub & Rotor Assembly Steel Hub 15.38 x 1.54 Rotor	2
40	64256-000	Thrust Bearing - Roller	2		60961-152	Hub Service Kit, One Wheel End , Includes Key Nos. 69-70, 81-82	
				81	67086-000	Hub	2
				82	66812-000	M22 x 1¼" Wheel Stud	16

NOTES: * Not supplied by Hendrickson, used for reference only. Hendrickson is not responsible for components supplied by the vehicle manufacturer. For assistance with maintenance and rebuild instructions on these components see vehicle manufacturer.

** Item included in kit/assembly only, part not sold separately.

*** The tie rod assembly is designed for use on a mechanical suspension with hydraulic brakes, it is not designed for vehicles with air disc brakes.

**** No longer available, contact Hendrickson for replacement.

■ Special Tool

KINGPIN BUSHING TOOL – ADJUSTABLE STRAIGHT FLUTE REAMER

The dimension of cutting diameter must facilitate a range of **1.802"-1.812"**



This is a general parts list to provide directional information. Components may vary by model. Questions in regards to parts, contact Hendrickson Truck Parts at 1.866.755.5968 (Toll-free U.S. and Canada), 630.910.2800 (Outside U.S. and Canada) or e-mail: truckparts@hendrickson-intl.com.

Actual product performance may vary depending upon vehicle configuration, operation, service and other factors.

All applications must comply with applicable Hendrickson specifications and must be approved by the respective vehicle manufacturer with the vehicle in its original, as-built configuration. Contact Hendrickson for additional details regarding specifications, applications, capacities, and operation, service and maintenance instructions.

Call Hendrickson at 1.866.755.5968 (toll-free) or 1.630.910.2800 for additional information.



www.hendrickson-intl.com

TRUCK COMMERCIAL VEHICLE SYSTEMS
800 South Frontage Road
Woodridge, IL 60517-4904 USA
1.866.755.5968 (Toll-free U.S. and Canada)
1.630.910.2800 (Outside U.S. and Canada)
Fax 1.630.910.2899

SP-214 Rev C 11-18

© 2007–2018 Hendrickson USA, L.L.C. All Rights Reserved. All trademarks shown are owned by Hendrickson USA, L.L.C., or one of the affiliates, in one or more countries.

Information contained in this literature was accurate at the time of publication. Product changes may have been made after the copyright date that are not reflected.

Printed in United States of America